



US00D471497S

(12) **United States Design Patent**
Baker

(10) **Patent No.:** **US D471,497 S**

(45) **Date of Patent:** **** Mar. 11, 2003**

(54) **VEHICLE LICENSE PLATE FRAME HAVING
A PAIR OF BUMPERS AND VERTICAL RODS**

D396,439 S * 7/1998 Turnquest D12/193
D412,876 S * 8/1999 Crecelius D12/193
D455,106 S * 4/2002 Yang D12/193

(76) Inventor: **Franklin W. Baker**, 5642 S. LaBrea,
Apt. 9A, Los Angeles, CA (US) 90056

* cited by examiner

(**) Term: **14 Years**

Primary Examiner—Stacia Cadmus

(74) *Attorney, Agent, or Firm*—Albert O. Cota

(21) Appl. No.: **29/169,058**

(57) **CLAIM**

(22) Filed: **Oct. 15, 2002**

The ornamental design for a vehicle license plate frame having a pair of bumpers and vertical rods, as shown and described.

(51) **LOC (7) Cl.** **12-16**

(52) **U.S. Cl.** **D12/193**

(58) **Field of Search** D12/193; D6/300–303,
D6/310–314; 40/200–211; D20/13, 35

DESCRIPTION

(56) **References Cited**

FIG. 1 is a front elevational view of a vehicle license plate frame having a pair of bumpers and vertical rods showing my new design;

U.S. PATENT DOCUMENTS

FIG. 2 is a rear elevational view thereof;

- D163,328 S * 5/1951 Rothman D12/193
- D163,421 S * 5/1951 Rothman D12/193
- D274,975 S * 8/1984 Stansbury, Jr. et al. D12/193
- D294,975 S * 3/1988 Lester D12/193 X
- D311,167 S * 10/1990 Ching-Hwei D12/193
- D327,915 S * 7/1992 Anderson et al. D12/193 X
- D368,692 S * 4/1996 Pribble, Sr. et al. D12/193
- D382,240 S * 8/1997 Francis D12/193

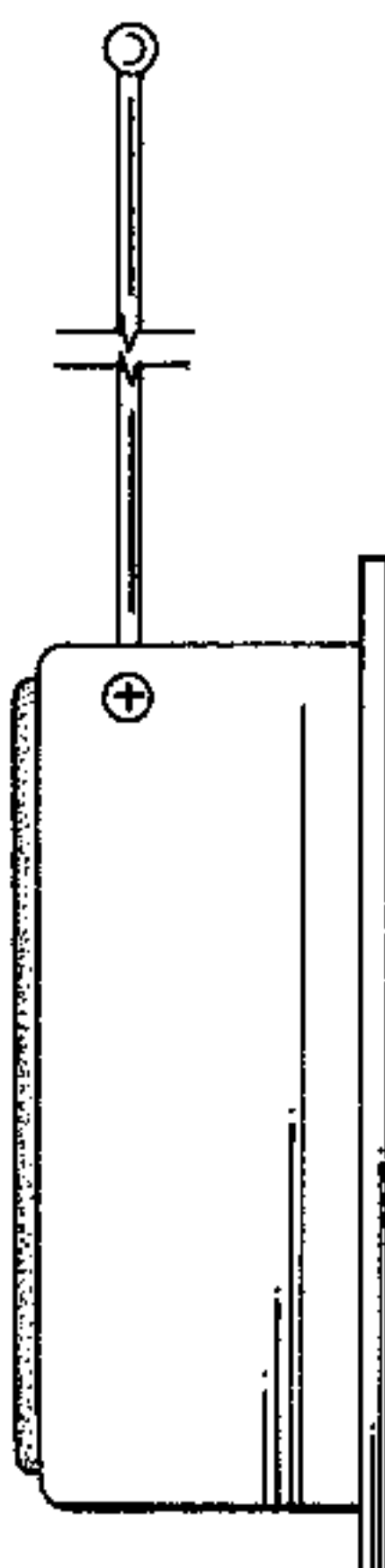
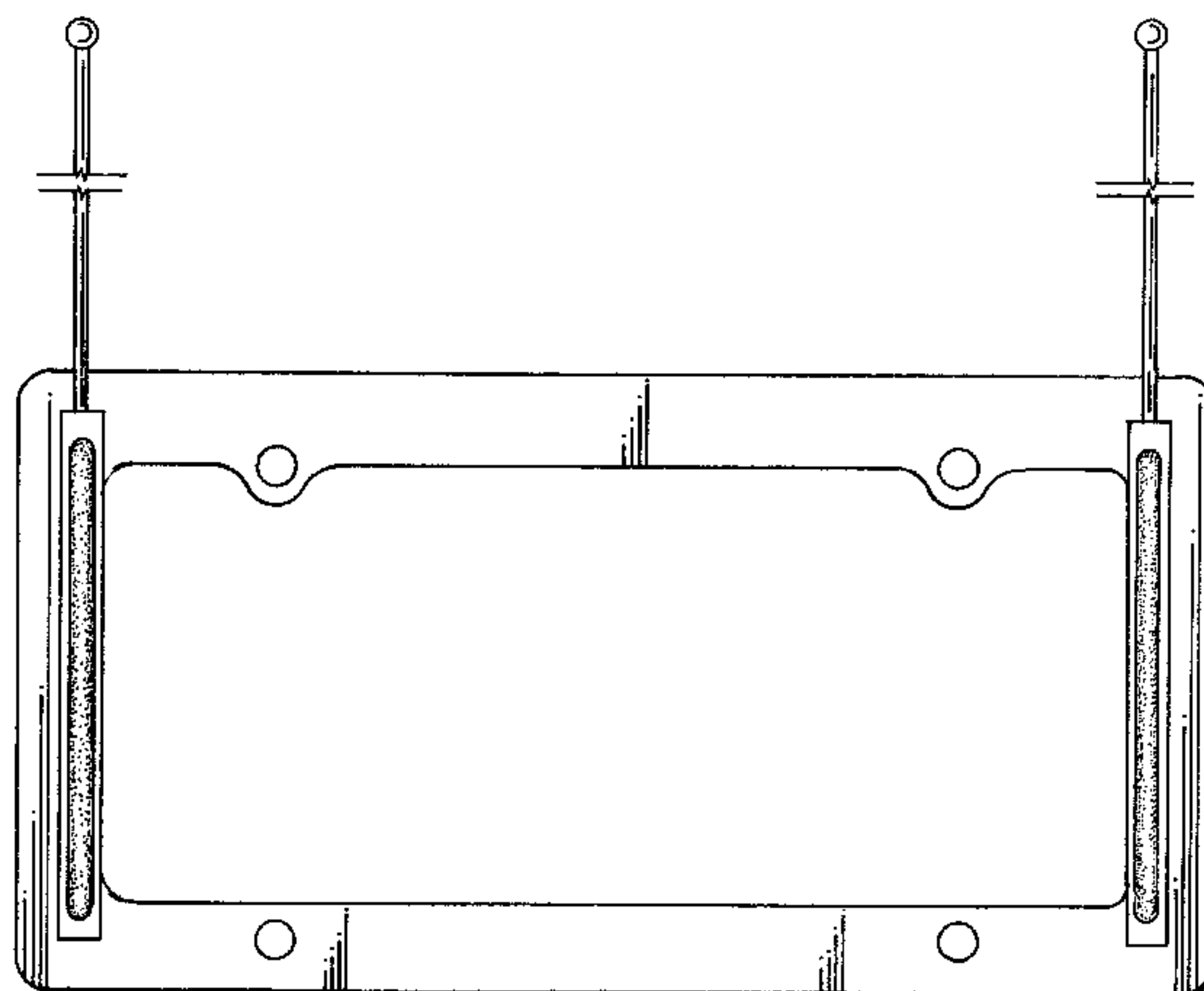
FIG. 3 is a top plan view thereof;

FIG. 4 is a bottom plan view thereof; and

FIG. 5 is a right side view thereof, the left side view being a mirror image.

The rods are shown broken away in FIGS. 1, 2 and 5 to indicate indeterminate length.

1 Claim, 4 Drawing Sheets



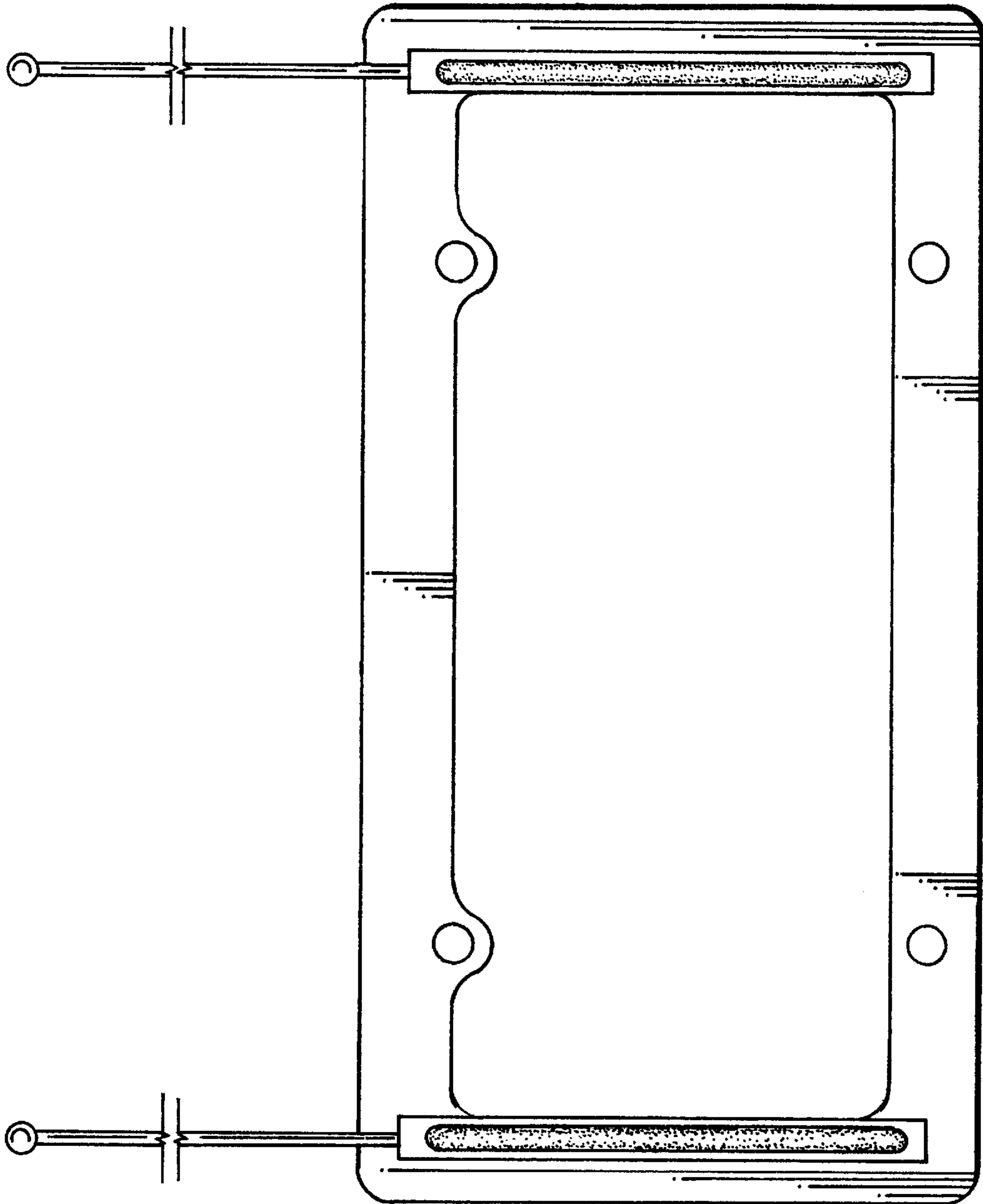


Fig. 1

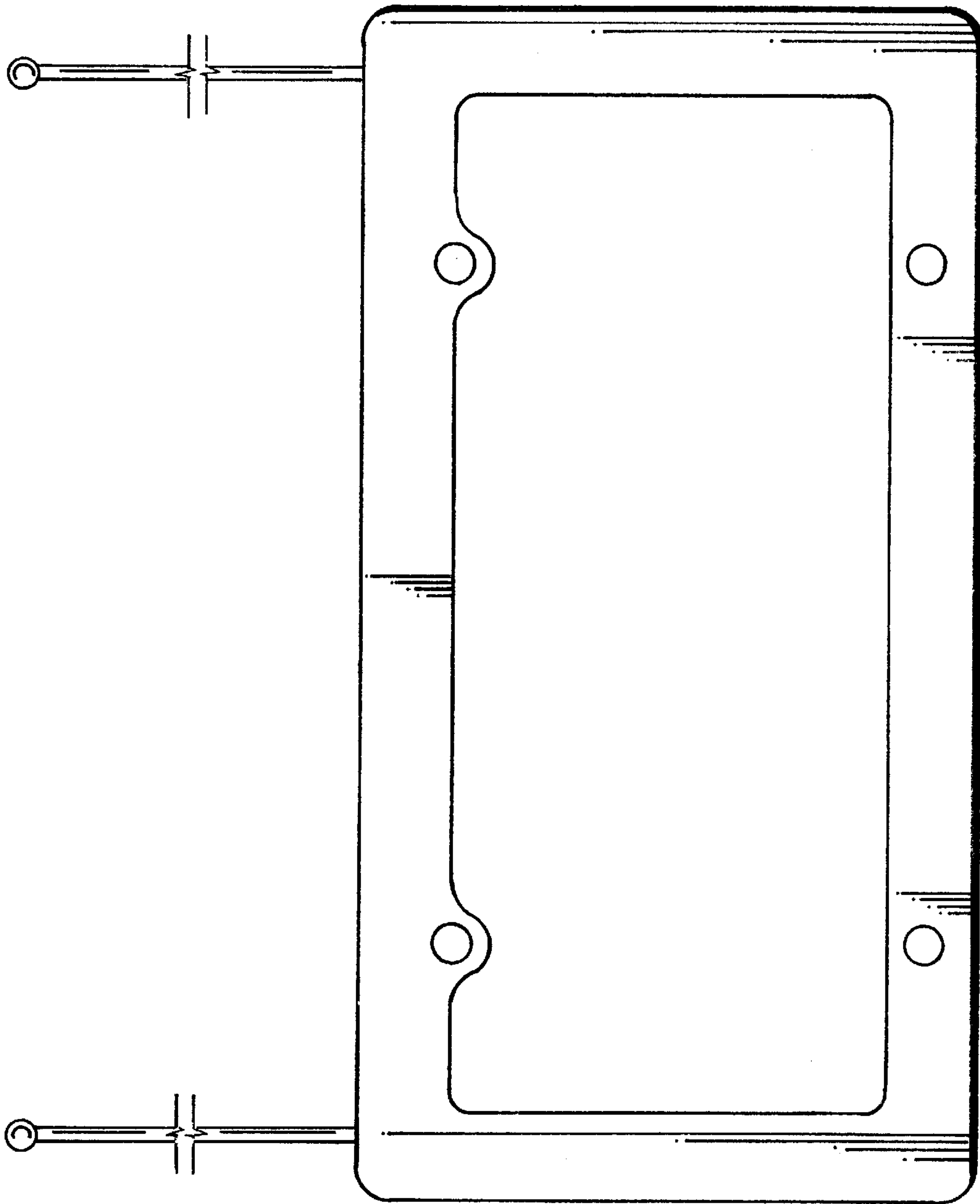


Fig. 2

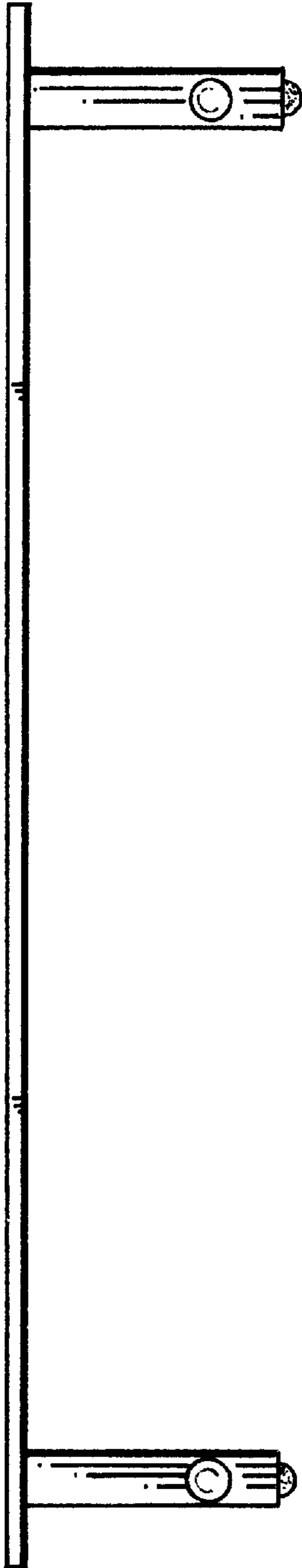


Fig. 3

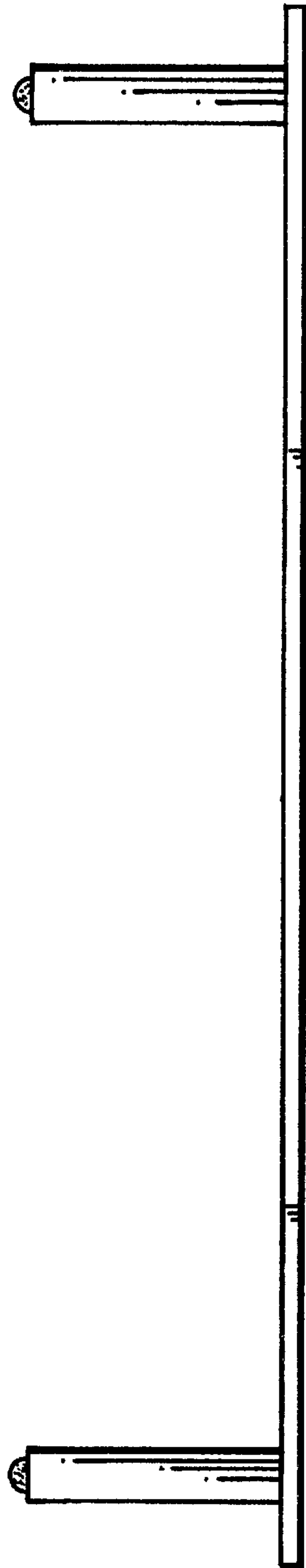


Fig. 4

Fig. 5

