



US00D471474S

(12) **United States Design Patent**
Hendershott

(10) **Patent No.:** **US D471,474 S**

(45) **Date of Patent:** **** Mar. 11, 2003**

(54) **STEEL WORKER'S TAPE MEASURE WITH MAGNETIC TIP**

(76) **Inventor:** **Eugene C. Hendershott**, 1423½
Newcomb St., Traverse City, MI (US)
49684

(**) **Term:** **14 Years**

(21) **Appl. No.:** **29/162,532**

(22) **Filed:** **Jun. 18, 2002**

(51) **LOC (7) Cl.** **10-04**

(52) **U.S. Cl.** **D10/72**

(58) **Field of Search** D10/72, 74; 33/755-770

(56) **References Cited**

U.S. PATENT DOCUMENTS

2,644,212 A	7/1953	Markowitz	
3,021,599 A	2/1962	Odom	
D216,534 S	* 2/1970	Zalnick D10/72
3,838,520 A	10/1974	Quenot	
4,106,201 A	8/1978	Hansen	
4,580,347 A	4/1986	McKnight	
4,827,622 A	5/1989	Makar	
4,924,597 A	5/1990	Tursi	
4,967,482 A	11/1990	Hoover et al.	
D341,328 S	* 11/1993	Wantien D10/72
5,379,524 A	1/1995	Dawson	
5,421,100 A	* 6/1995	Leore 33/770

5,430,952 A	7/1995	Betts	
5,544,420 A	8/1996	Choi	
D397,048 S	* 8/1998	Herndon D10/72
5,894,678 A	* 4/1999	Masreliez et al. 33/762

* cited by examiner

Primary Examiner—Antoine Duval Davis
(74) *Attorney, Agent, or Firm*—Donald R. Schoonover

(57) **CLAIM**

The ornamental design for a steel worker's tape measure with magnetic tip, as shown and described.

DESCRIPTION

FIG. 1 is a perspective view of a steel worker's tape measure with magnetic tip embodying the design of the present invention.

FIG. 2 is a front elevational view thereof;

FIG. 3 is a rear elevational view thereof;

FIG. 4 is a left side elevational view thereof;

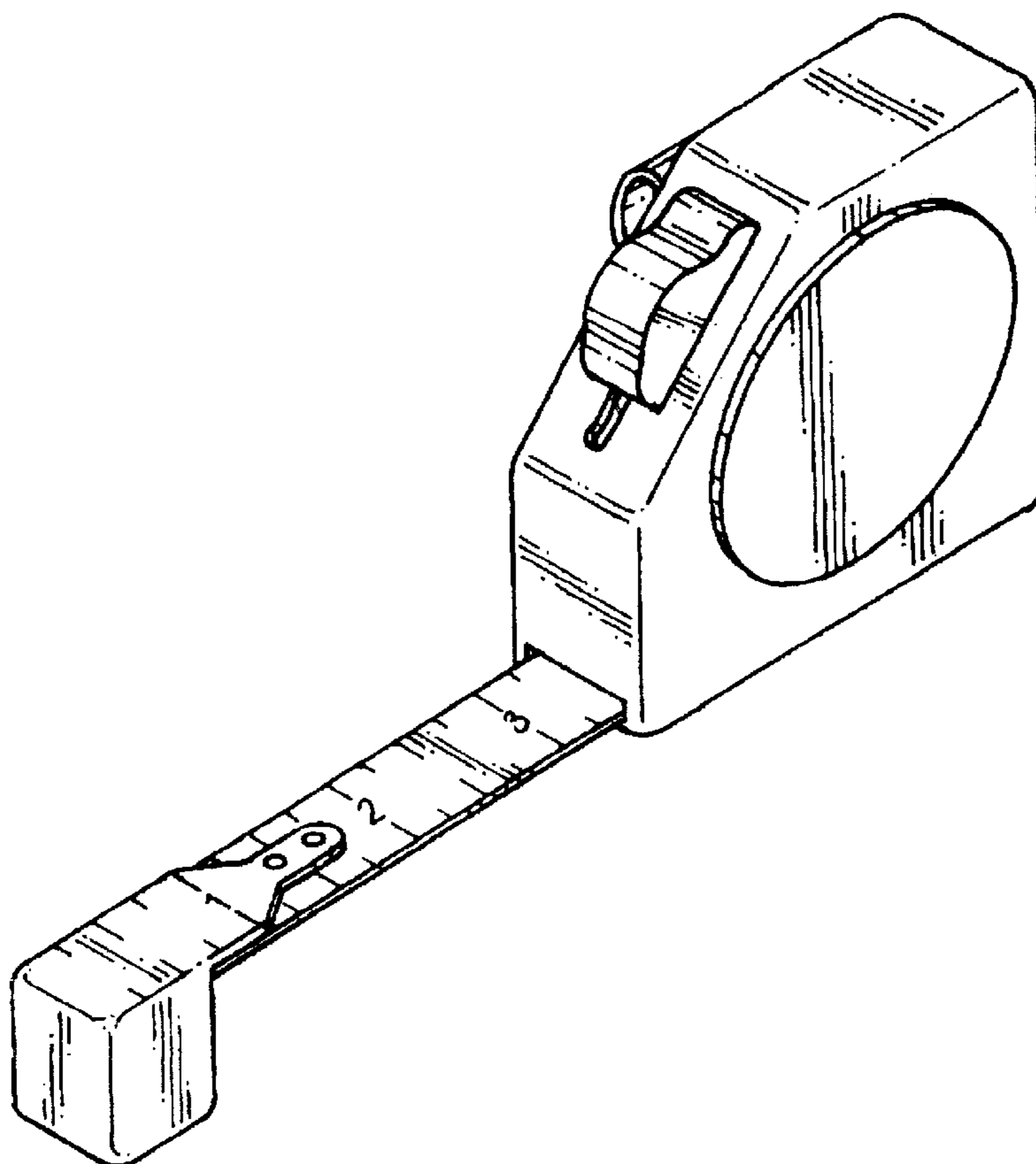
FIG. 5 is a right side elevational view thereof;

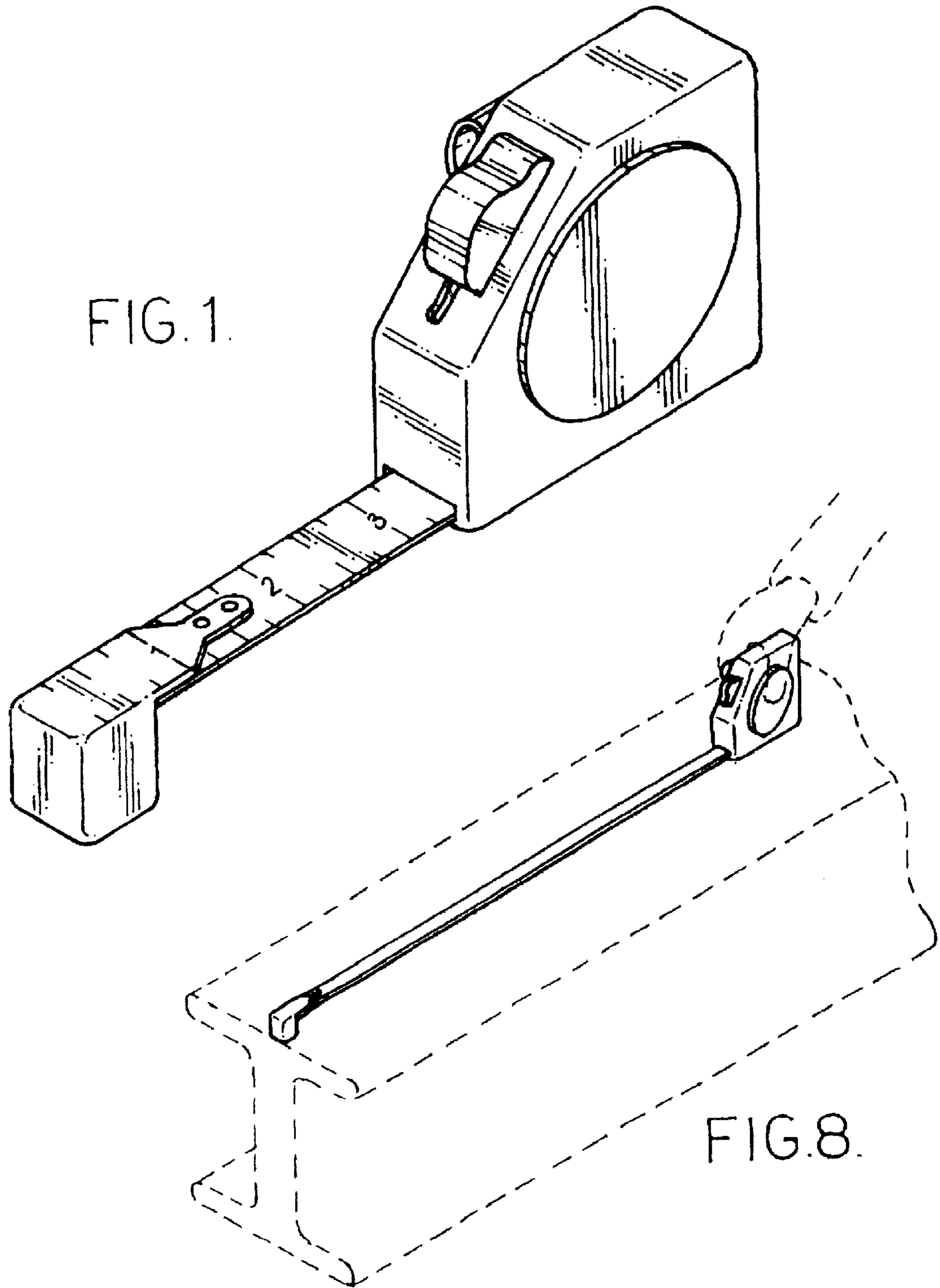
FIG. 6 is a top plan view thereof;

FIG. 7 is a bottom plan view thereof; and,

FIG. 8 is a reduced perspective view showing the steel worker's tape measure with magnetic tip in use; the broken lines depict environmental structure and form no part of the claimed design.

1 Claim, 3 Drawing Sheets





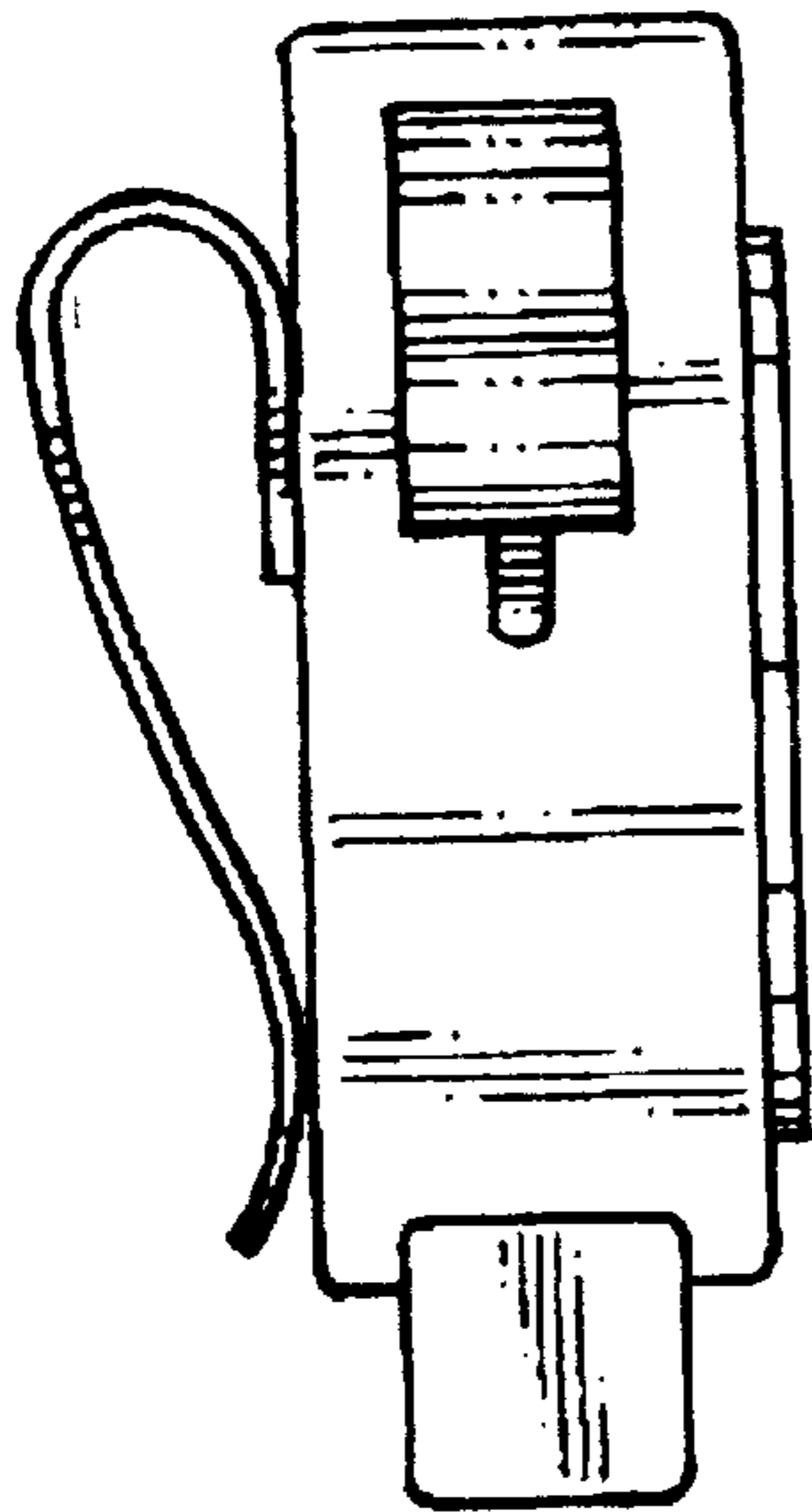


FIG. 2.

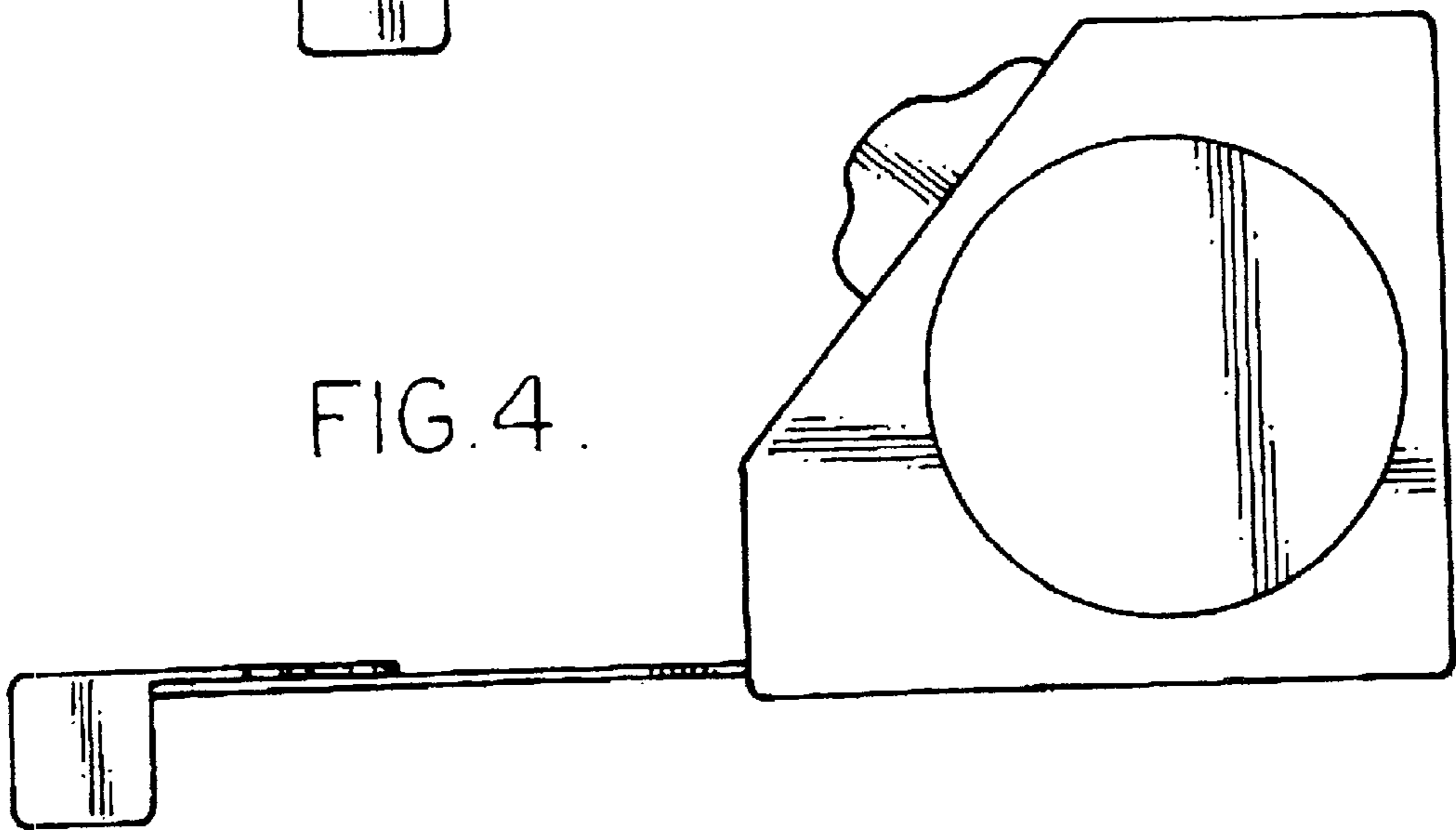


FIG. 4.

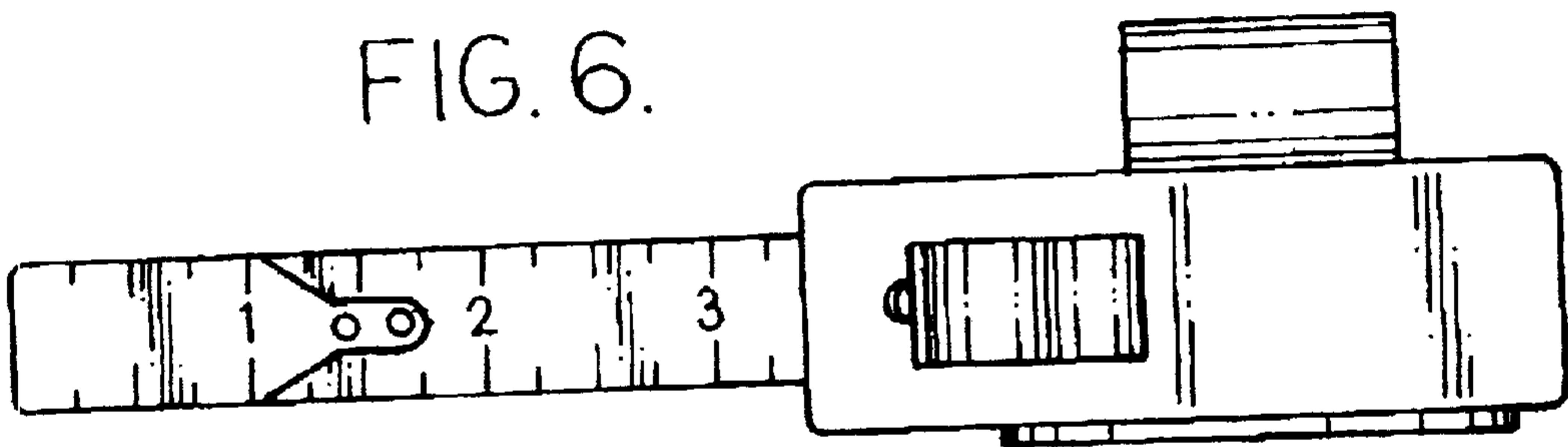


FIG. 6.

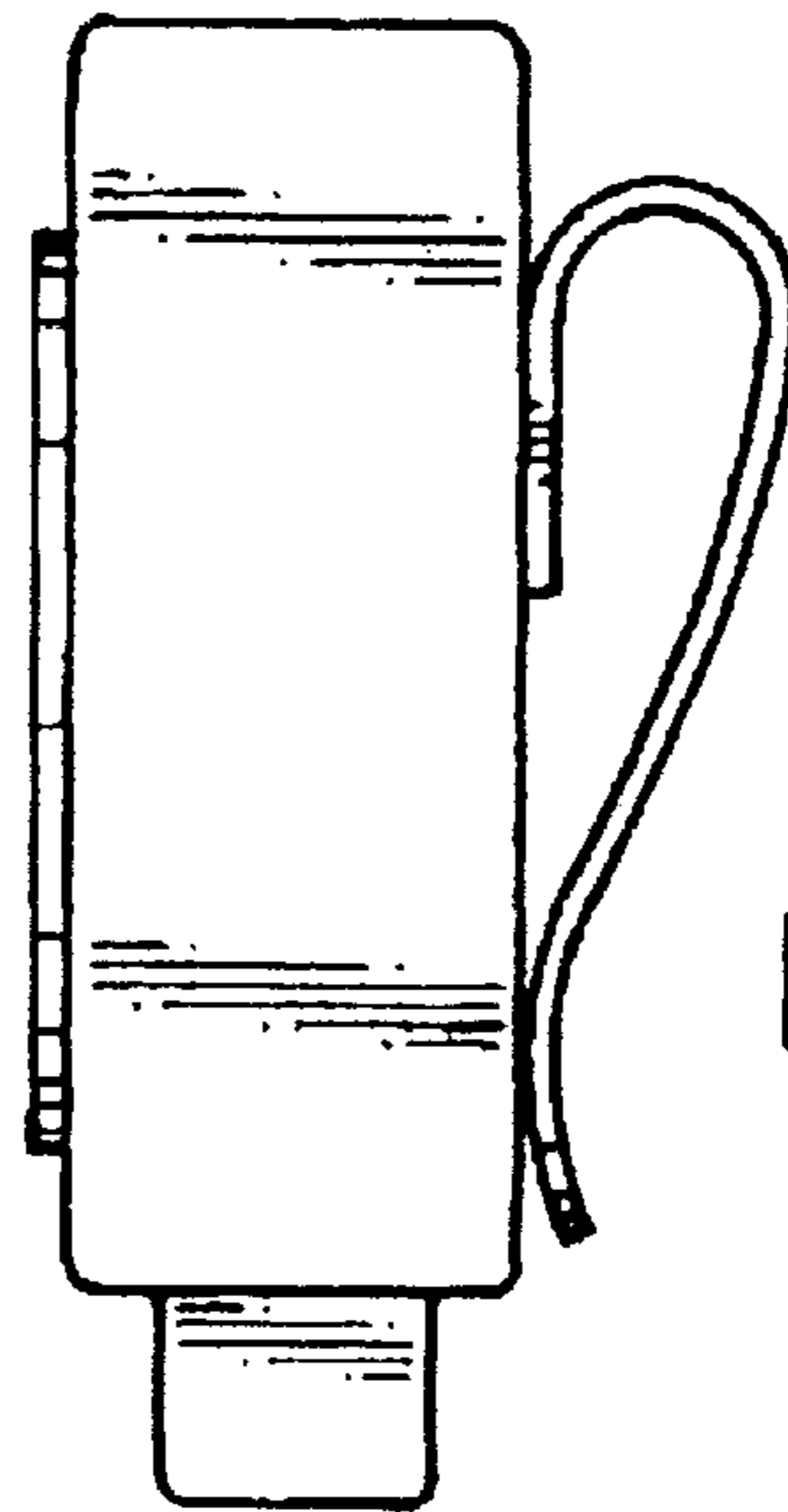


FIG. 3.

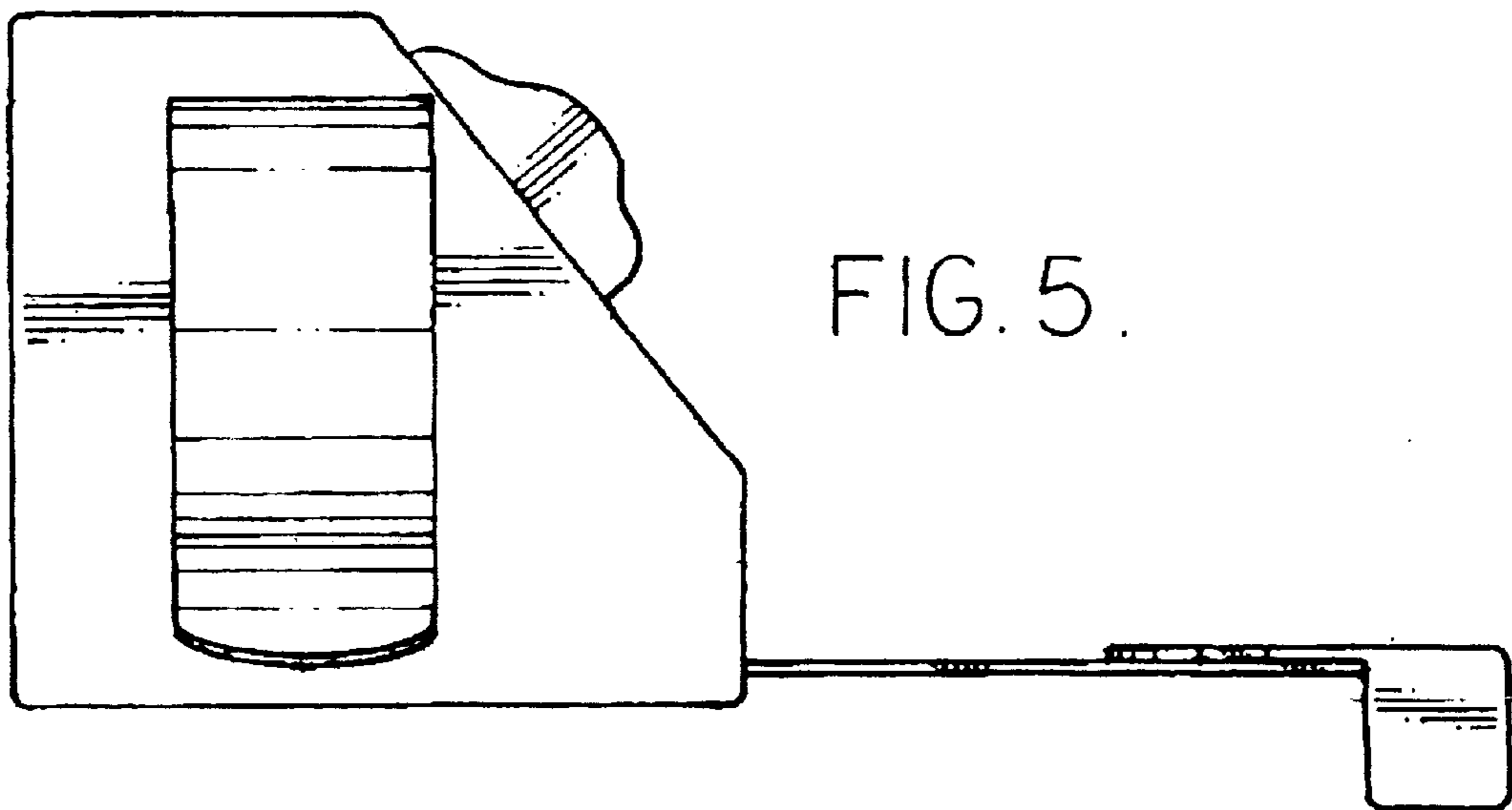


FIG. 5.

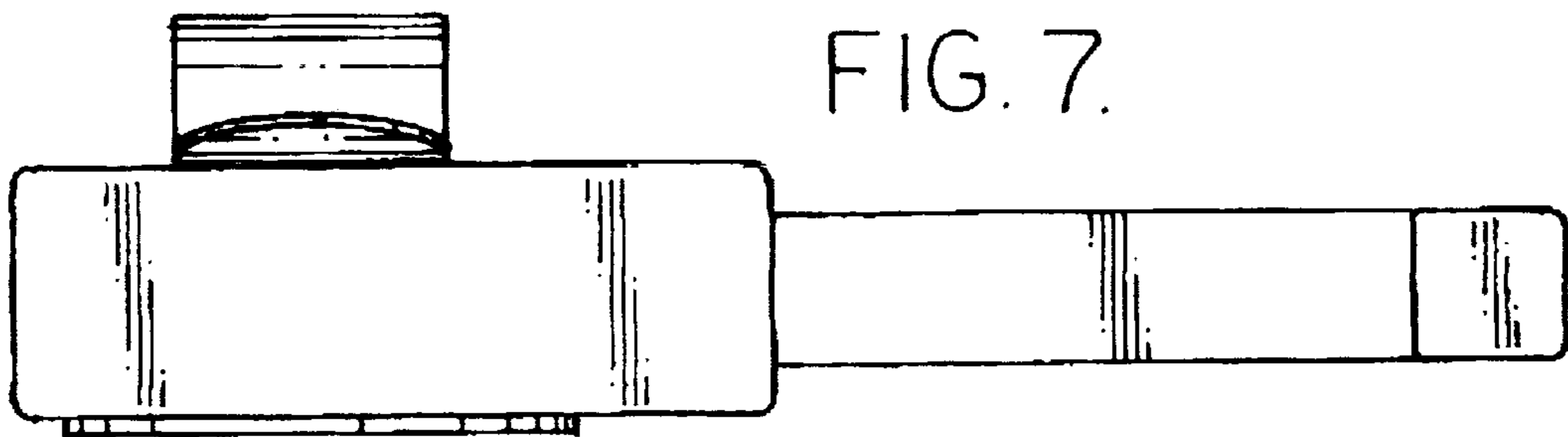


FIG. 7.