



US00D471464S

(12) **United States Design Patent**  
**Ouillette et al.**

(10) **Patent No.:** **US D471,464 S**

(45) **Date of Patent:** **\*\* Mar. 11, 2003**

(54) **CONTAINER FOR LIQUIDS**

(75) Inventors: **Paul G. Ouillette**, Stow, OH (US);  
**David A. Bornstein**, Chagrin Falls, OH (US)

(73) Assignee: **Joseph S. Kanfer**, Richfield, OH (US)

(\*\*) Term: **14 Years**

(21) Appl. No.: **29/139,210**

(22) Filed: **Mar. 28, 2001**

(51) **LOC (7) Cl.** ..... **09-02**

(52) **U.S. Cl.** ..... **D9/531**

(58) **Field of Search** ..... D9/516, 517, 520,  
D9/530, 531, 536, 543, 575, 499; 206/527;  
215/200, 316, 329, 400; 220/200, 260,  
288, 289, 581, 582, 592.01, 890

(56) **References Cited**

**U.S. PATENT DOCUMENTS**

D199,590 S	11/1964	Sarafan	.....	D58/5
D215,410 S	9/1969	Hills	.....	D9/39
3,547,294 A	12/1970	Williams	.....	215/1
D244,990 S	7/1977	Anderson	.....	D9/40
D266,399 S	10/1982	Cox	.....	D9/378
D268,480 S	* 4/1983	Cox	.....	D9/531
D270,429 S	* 9/1983	Anderson et al.	.....	D9/531

D270,616 S	* 9/1983	Cox	.....	D9/531
D271,113 S	* 10/1983	Birkeland et al.	.....	D18/43
D296,668 S	* 7/1988	Stavish	.....	D9/520
4,846,359 A	7/1989	Baird et al.	.....	215/12.2
D312,397 S	11/1990	Wilbrink	.....	D9/378
D346,332 S	4/1994	Kanfer et al.	.....	D9/531
D385,795 S	11/1997	Wysocki et al.	.....	D9/531

\* cited by examiner

*Primary Examiner*—Ted Shooman

*Assistant Examiner*—Daniel Bui

(74) *Attorney, Agent, or Firm*—Reese Taylor

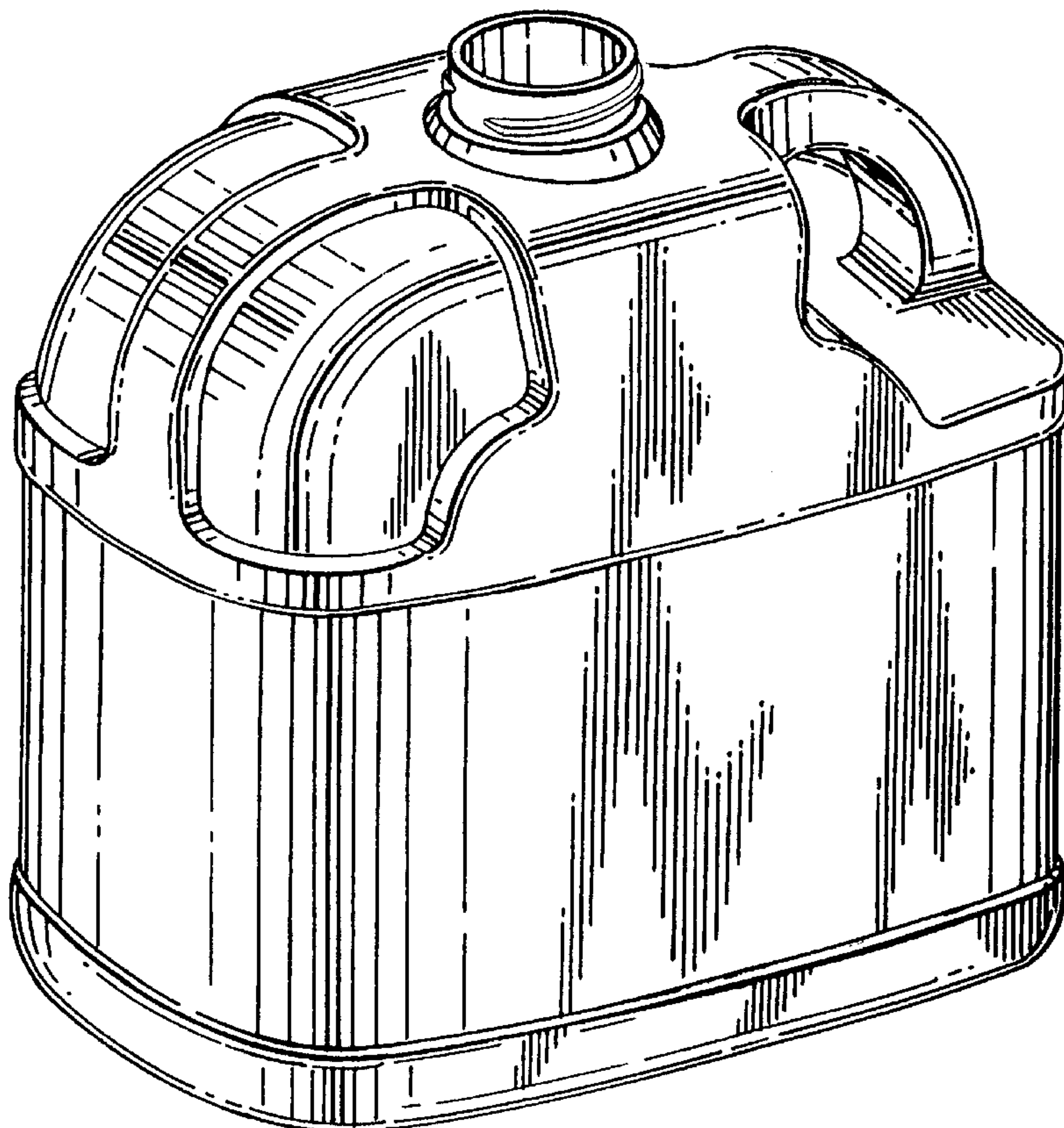
(57) **CLAIM**

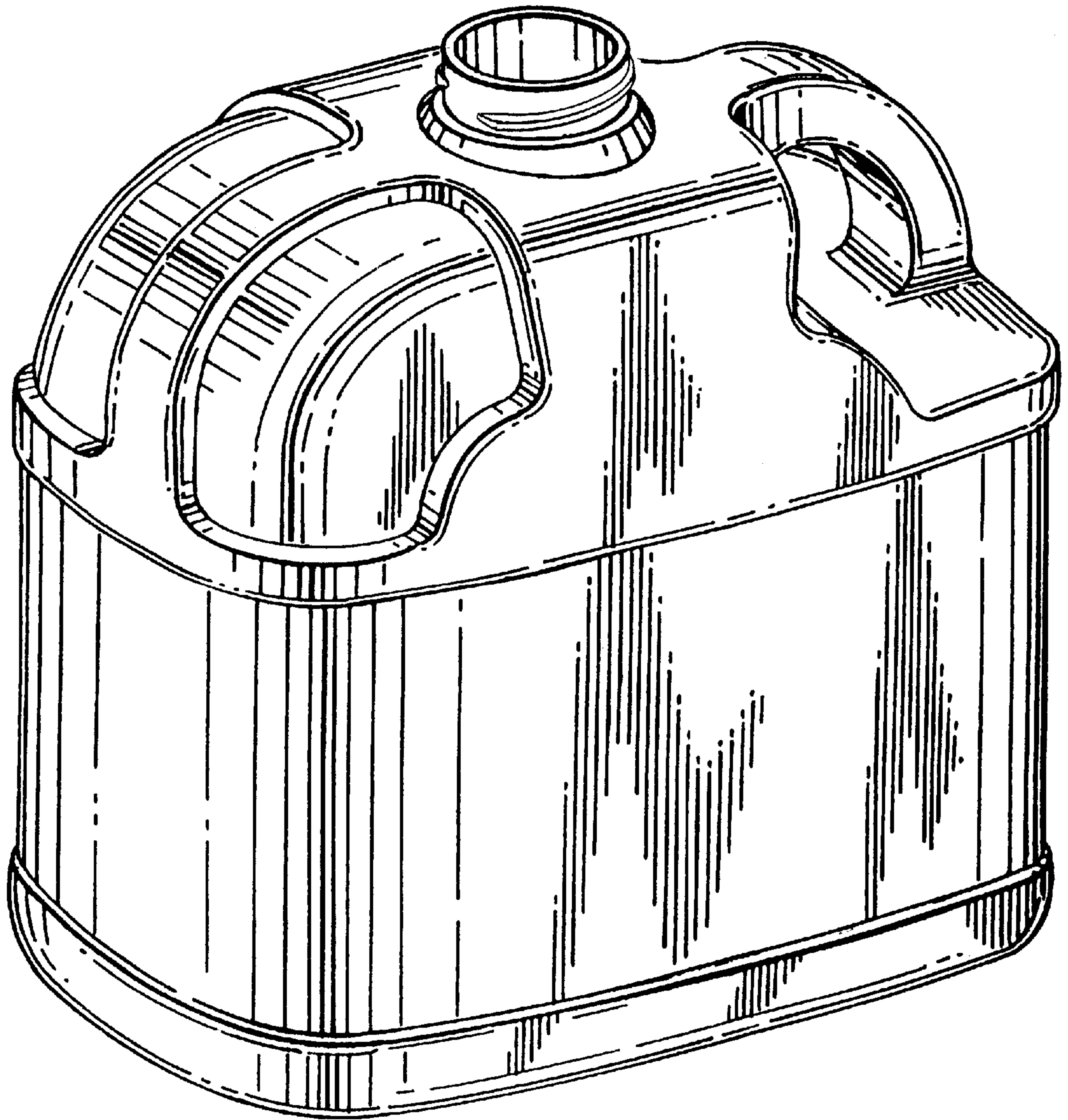
We claim the ornamental design for a container for liquids, as shown and described.

**DESCRIPTION**

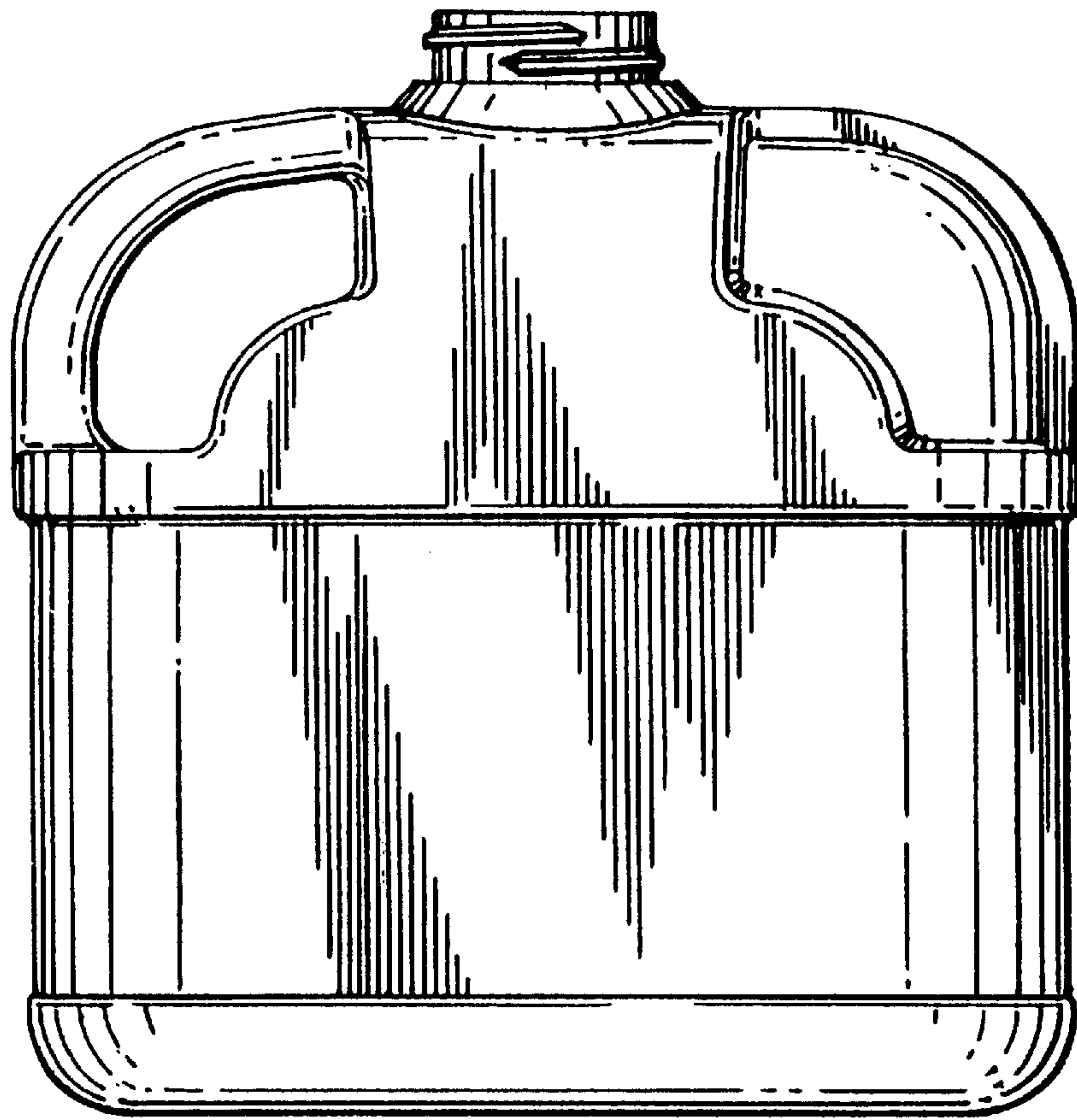
FIG. 1 is a perspective view showing our new container for liquids;  
FIG. 2 is a front elevational view thereof;  
FIG. 3 is top plan view thereof;  
FIG. 4 is a side elevational view taken from the right of FIG. 2;  
FIG. 5 is a bottom plan view thereof; and,  
FIG. 6 is a side elevational view taken from the left of FIG. 2.

**1 Claim, 4 Drawing Sheets**

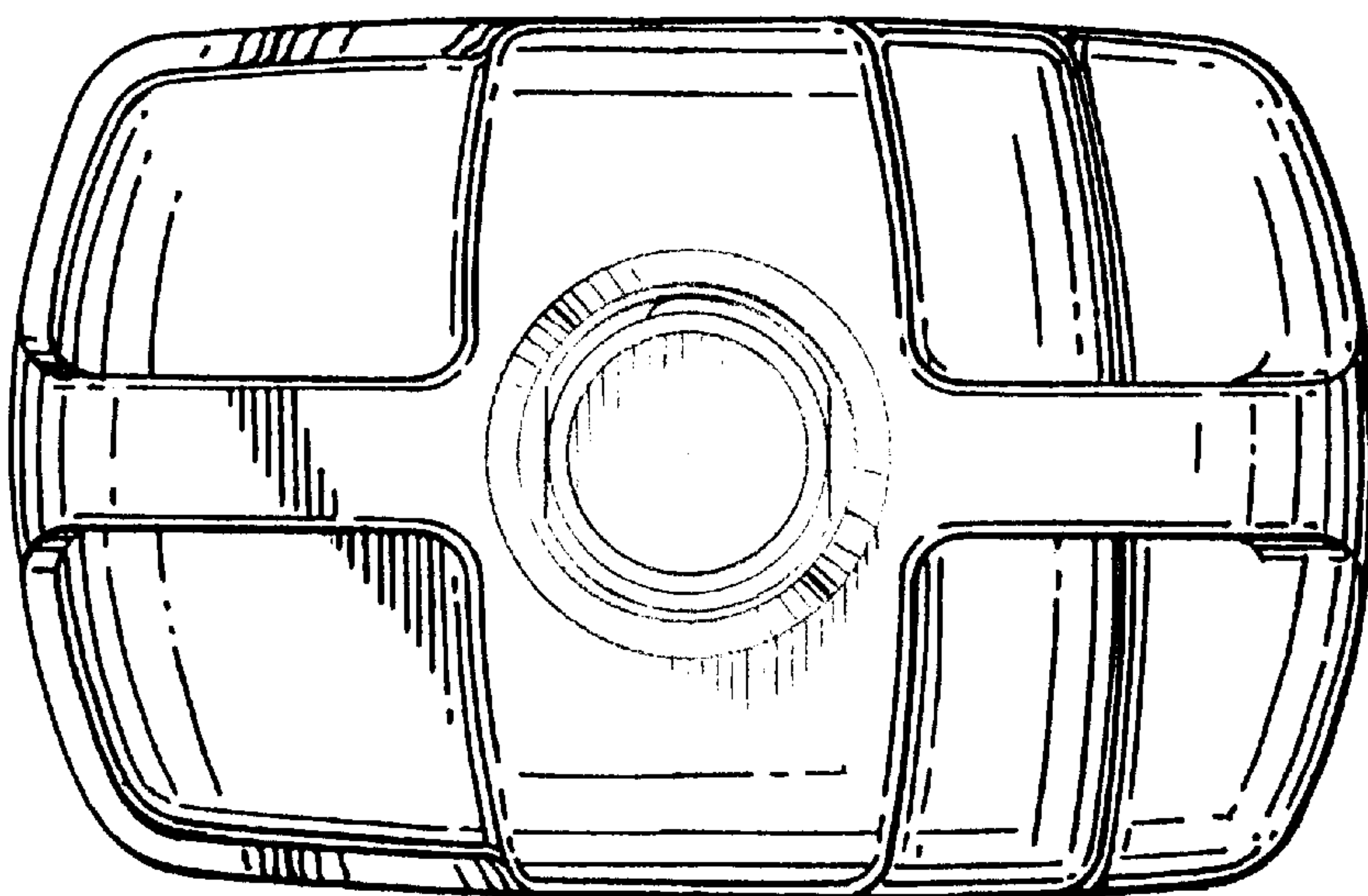




*FIG. 1*

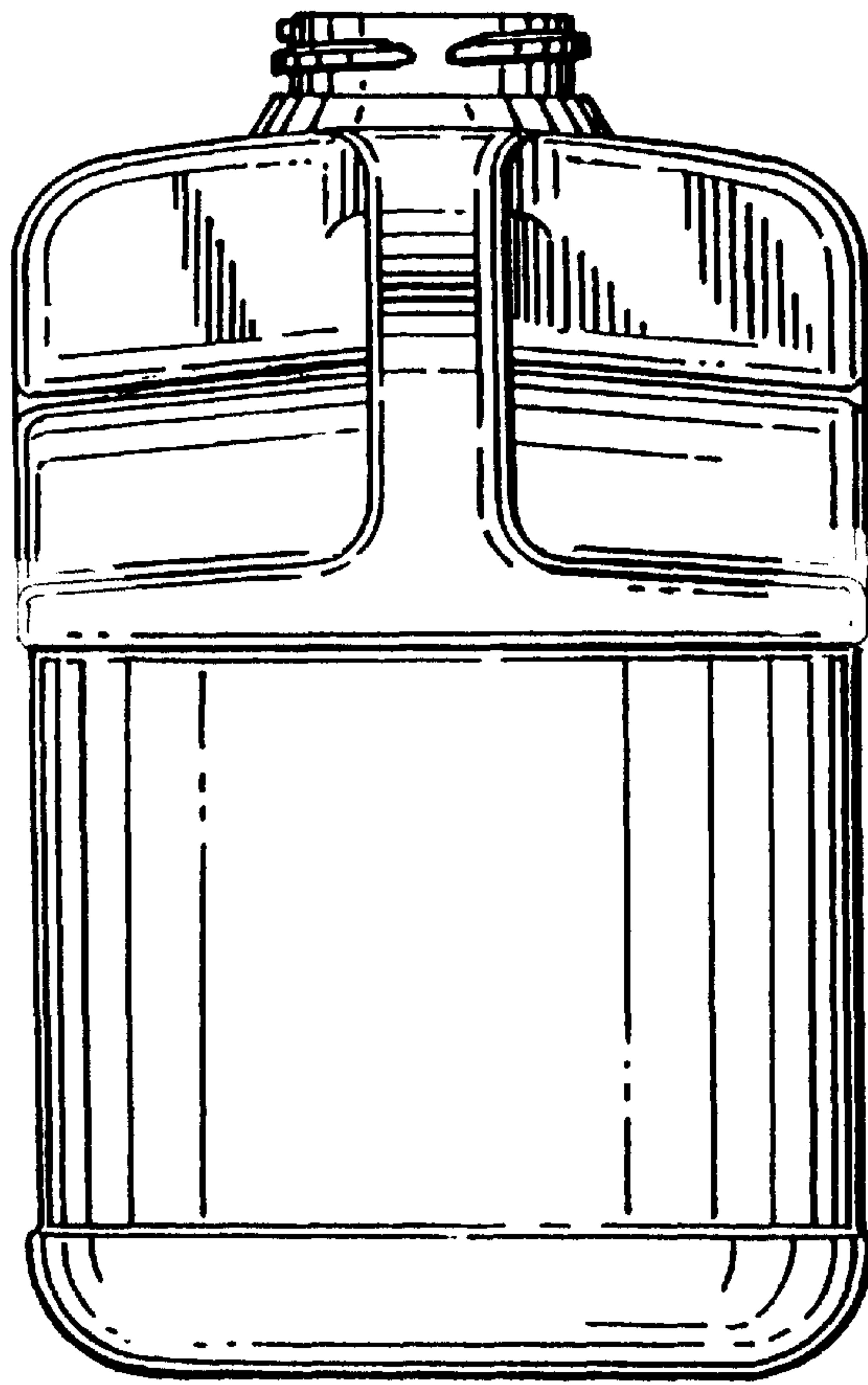


*FIG. 2*

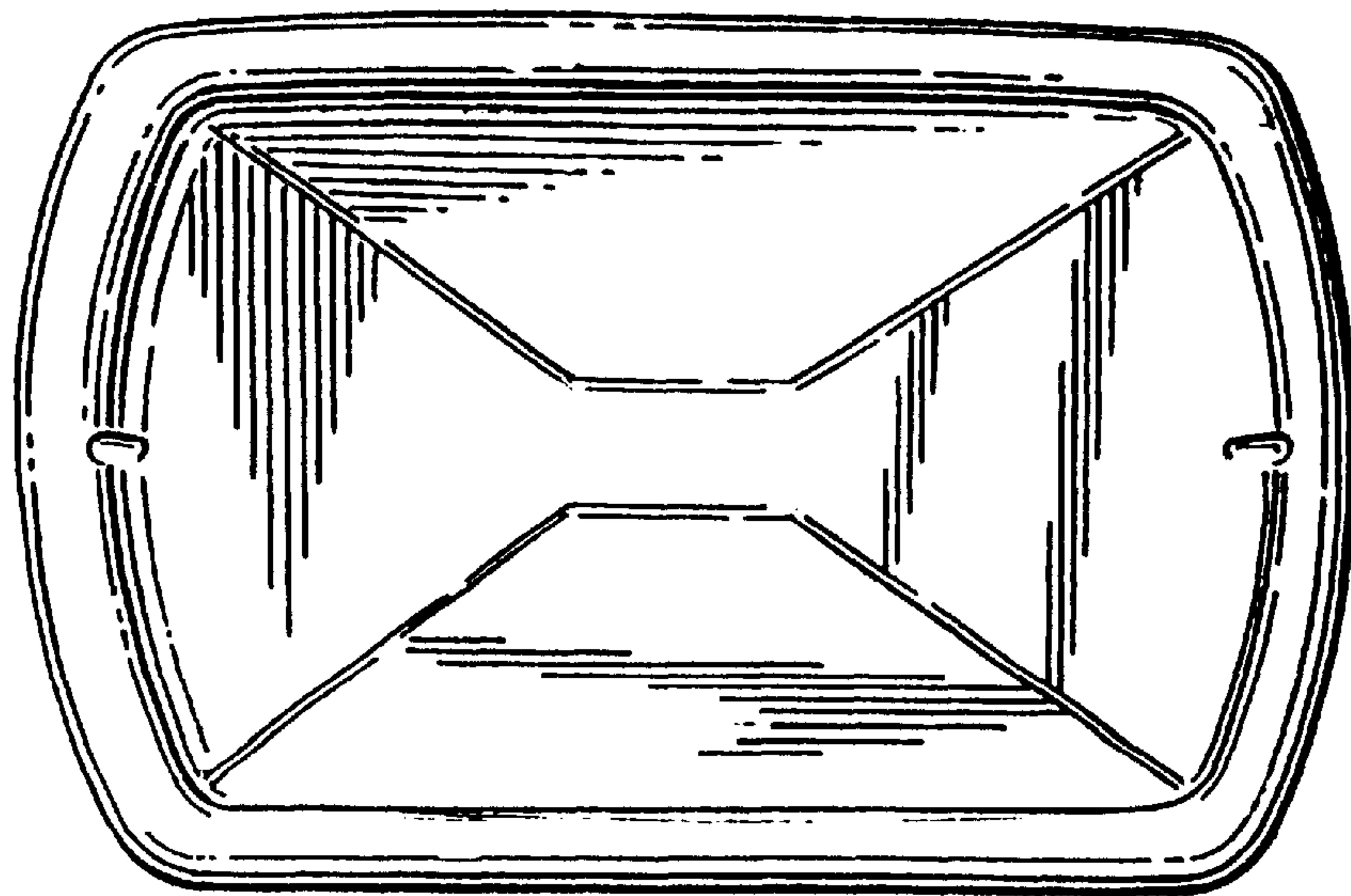


*FIG. 3*

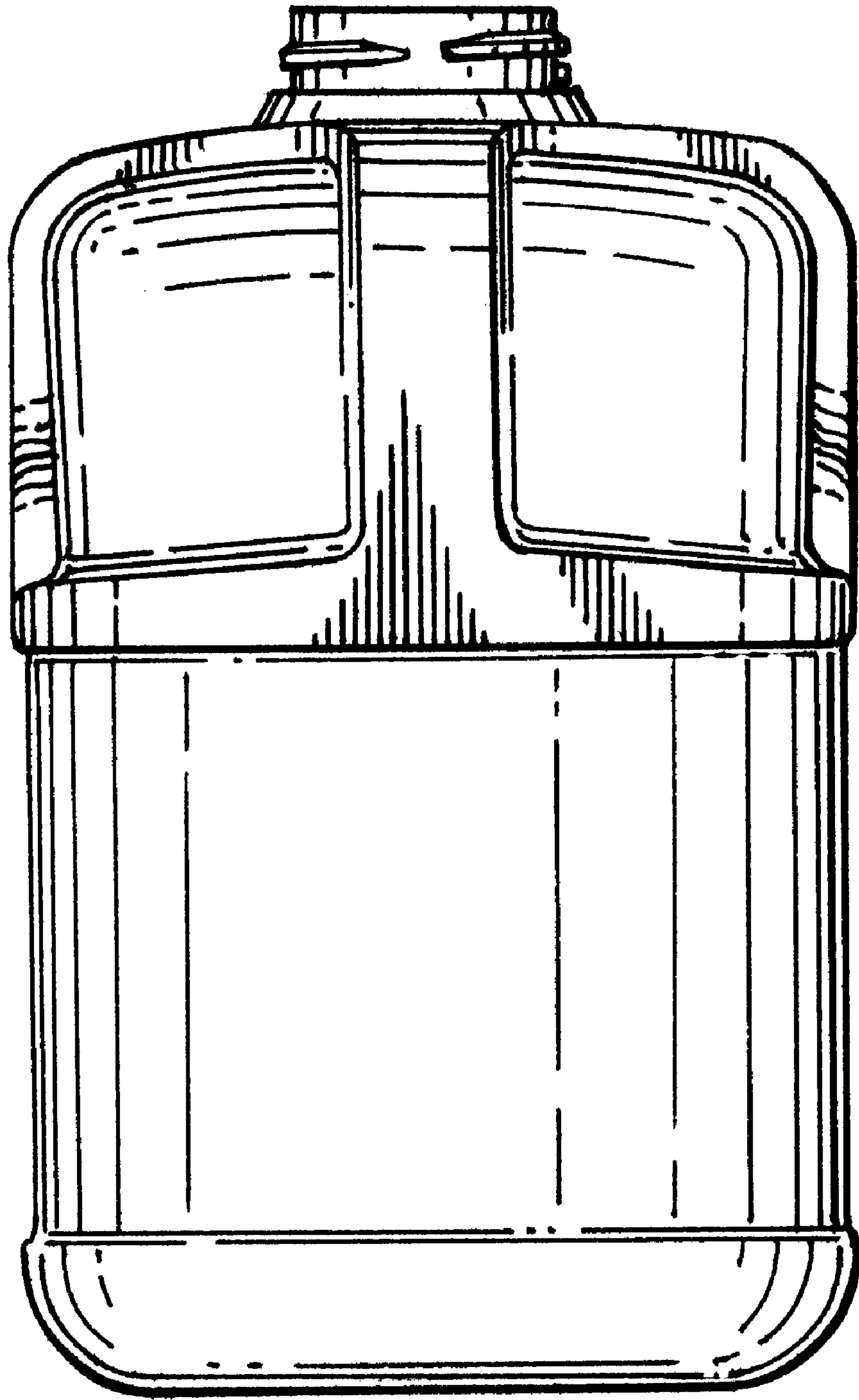




*FIG. 4*



*FIG. 5*



*FIG. 6*