



US00D471458S

(12) **United States Design Patent**  
**Booth et al.**

(10) **Patent No.:** **US D471,458 S**

(45) **Date of Patent:** **\*\* Mar. 11, 2003**

(54) **PAINT CAN**

(75) Inventors: **Peter Booth**, Wiltshire (GB);  
**Alexander James Peacop**, Wiltshire (GB)

(73) Assignee: **ICI Group Intellectual Property**,  
Berkshire (GB)

(\*\*) Term: **14 Years**

(21) Appl. No.: **29/148,494**

(22) Filed: **Sep. 21, 2001**

(30) **Foreign Application Priority Data**

Mar. 23, 2001 (GB) ..... 2100574

(51) **LOC (7) Cl.** ..... **09-01**

(52) **U.S. Cl.** ..... **D9/504; D9/558**

(58) **Field of Search** ..... D3/202; D6/542;  
D7/306; D9/338, 500, 502-504, 516, 521-523,  
525-531, 537-540, 541-546, 549, 551,  
556-558, 569, 570, 574-575; D24/121,  
224; D32/25, 30, 45, 10; 215/382-384,  
396, 398, 400

(56) **References Cited**

**U.S. PATENT DOCUMENTS**

D187,162 S \* 2/1960 Lerner et al. .... D9/515

D188,137 S \* 6/1960 Thompson ..... D9/502  
D207,863 S \* 6/1967 Knodt ..... D7/598  
D212,589 S \* 11/1968 Roberts ..... D9/503  
D218,147 S \* 7/1970 Jordan ..... D9/523  
D269,316 S \* 6/1983 Conti ..... D7/591  
D273,843 S \* 5/1984 Urion ..... D9/500  
4,534,491 A \* 8/1985 Norton et al. .... 221/63  
D307,238 S \* 4/1990 May ..... D9/503  
D318,778 S \* 8/1991 Fiore et al. .... D7/591  
D375,655 S \* 11/1996 King ..... D7/511  
D456,265 S \* 4/2002 Spear ..... D9/502

\* cited by examiner

*Primary Examiner*—Ted Shooman

*Assistant Examiner*—Carol Rademaker

(74) *Attorney, Agent, or Firm*—Pillsbury Winthrop LLP  
Intellectual Property

(57) **CLAIM**

The ornamental design for a paint can, as shown and described.

**DESCRIPTION**

FIG. 1 is a front elevational view of an easy hold paint can according to the present invention, all side views being a mirror image thereof;

FIG. 2 is a perspective view thereof;

FIG. 3 is a top plan view thereof; and,

FIG. 4 is a bottom plan view thereof.

**1 Claim, 2 Drawing Sheets**

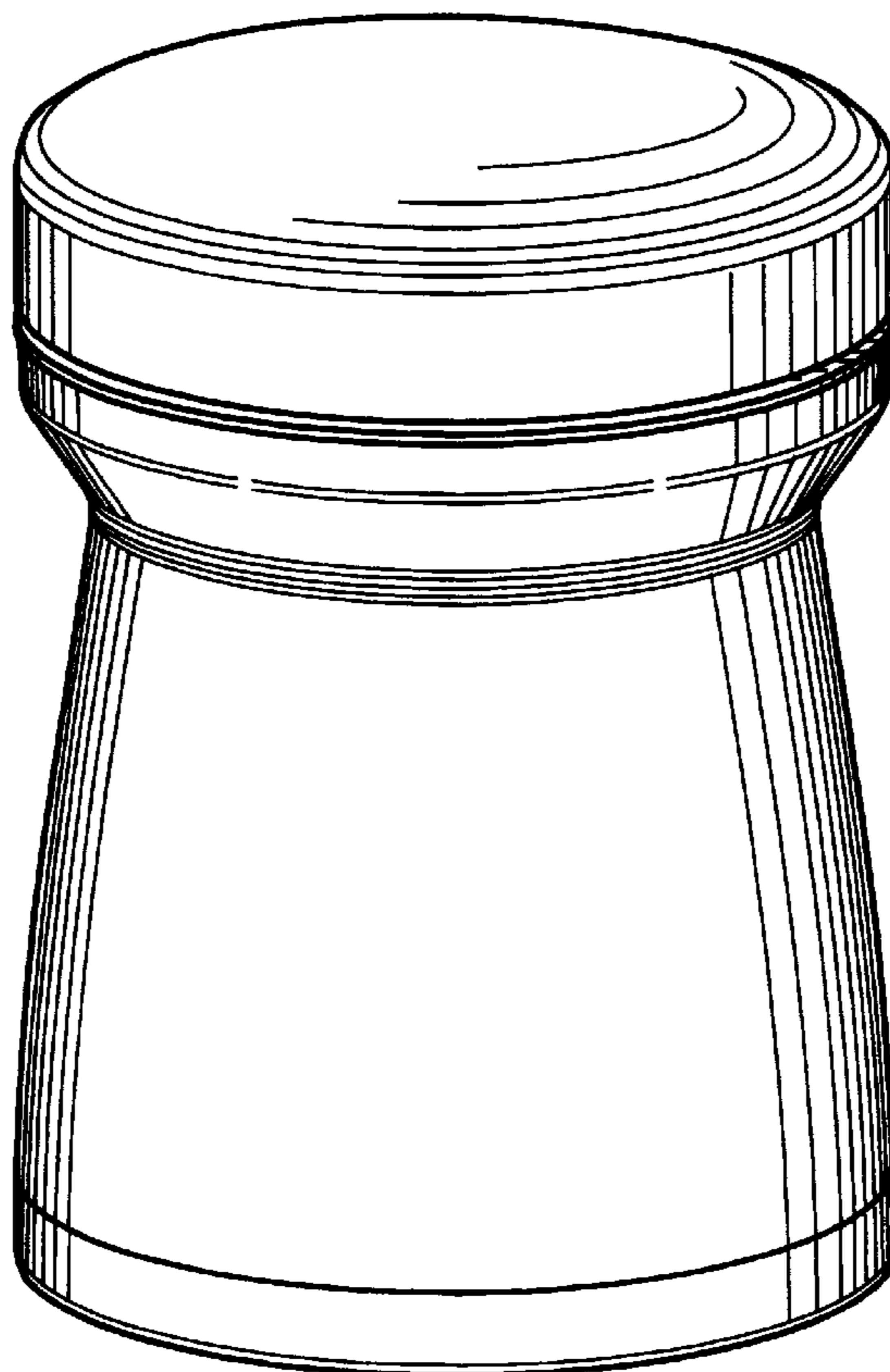


FIG. 2

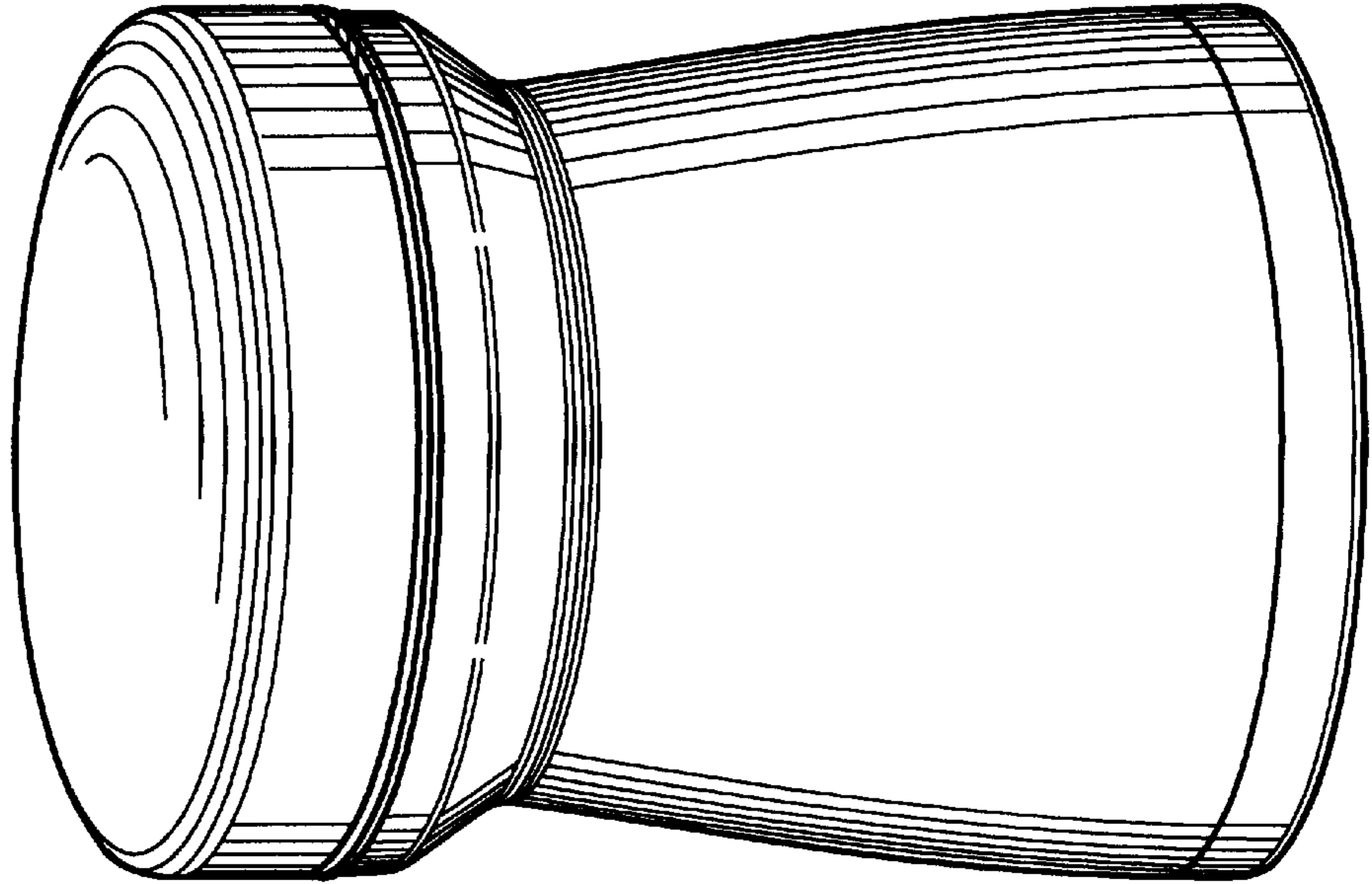
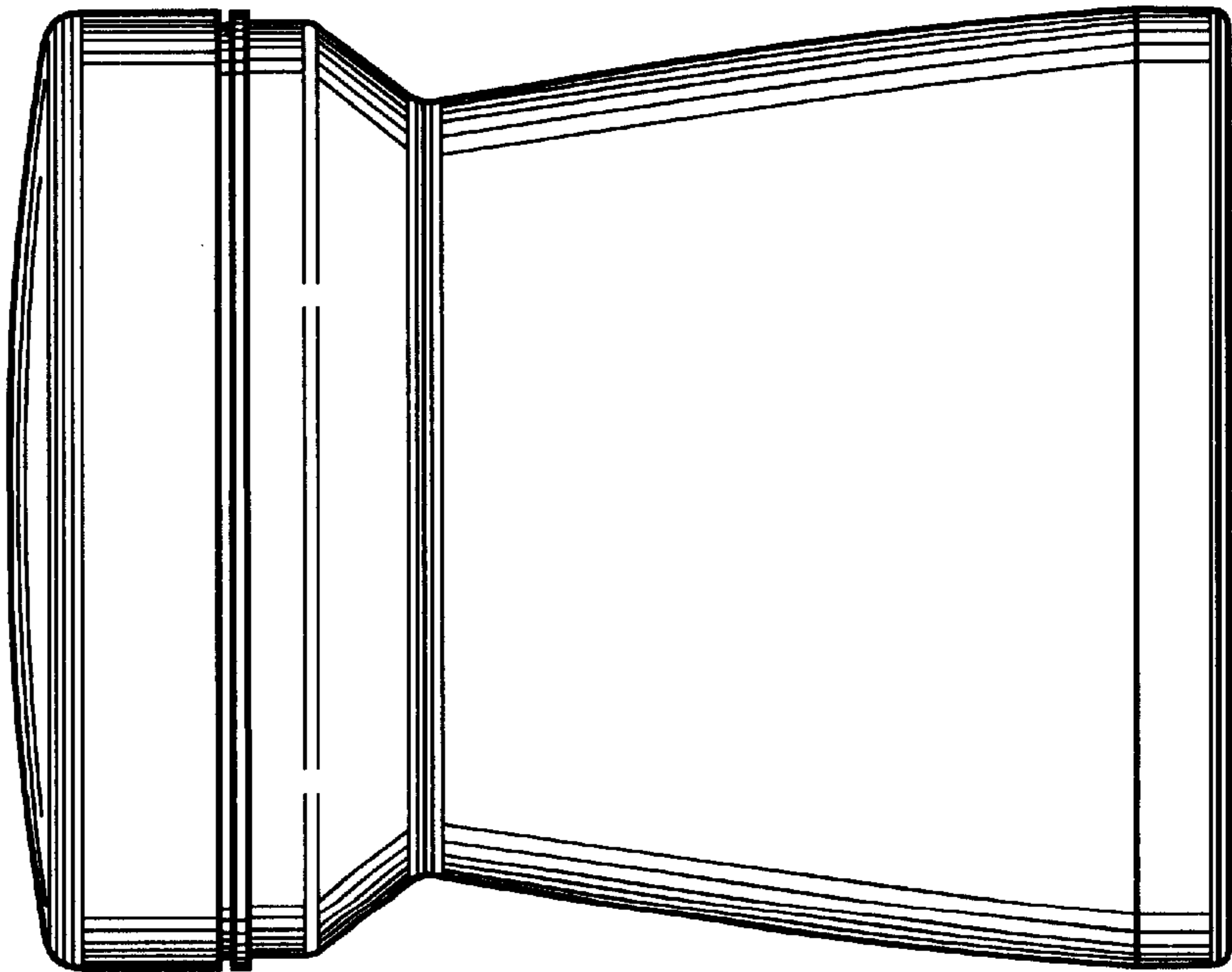
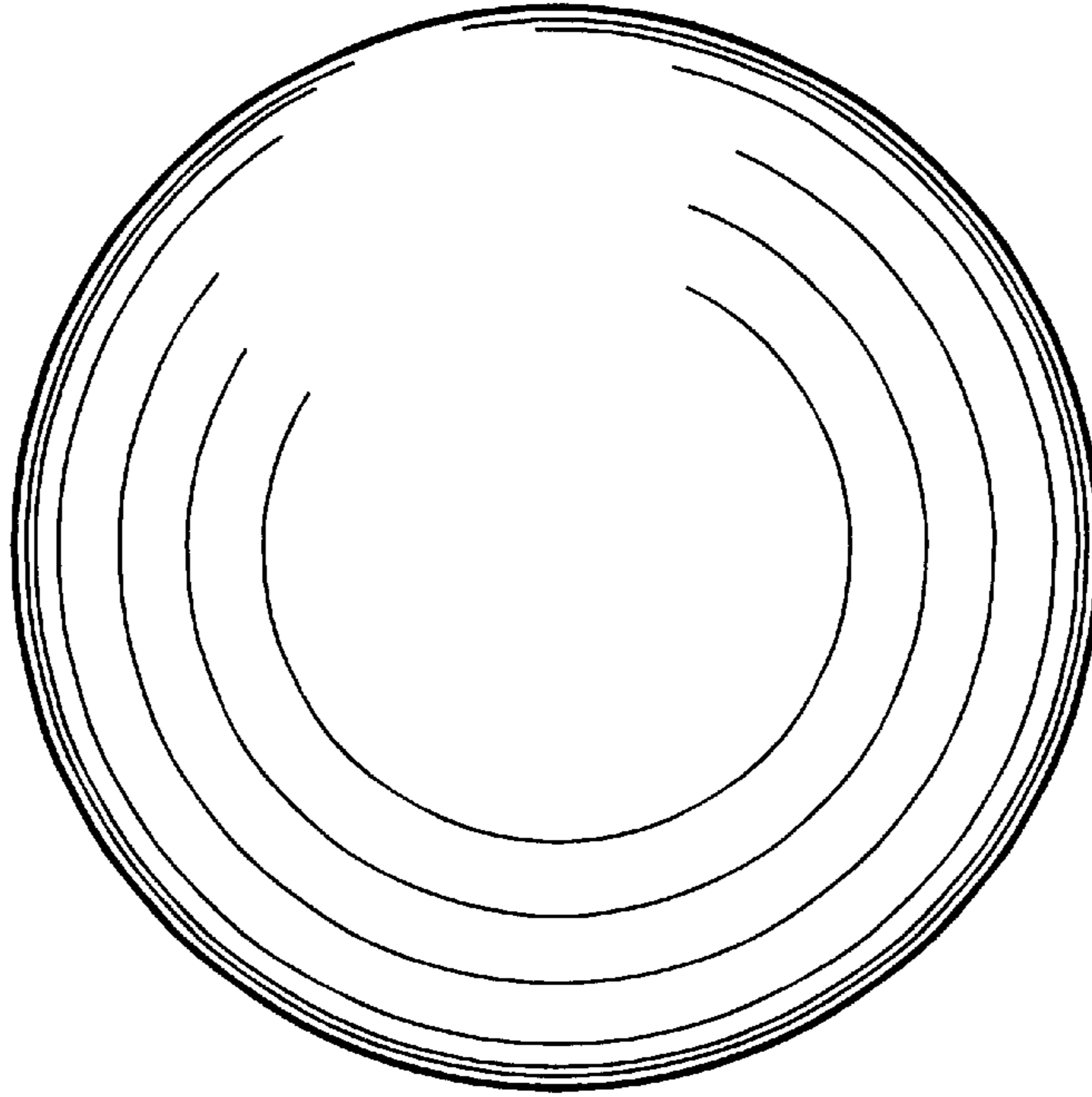


FIG. 1



*FIG. 3*



*FIG. 4*

