



US00D471455S

(12) **United States Design Patent**
Laveault et al.

(10) **Patent No.:** **US D471,455 S**

(45) **Date of Patent:** **** Mar. 11, 2003**

(54) **CLOSURE**

(75) Inventors: **Richard Laveault**, Crawfordsville, IN (US); **Coy Hearld**, Carmel, IN (US); **Stephen McBride**, Brownsburg, IN (US)

(73) Assignee: **Alcoa Closure Systems International**, Crawfordsville, IN (US)

(**) Term: **14 Years**

(21) Appl. No.: **29/157,596**

(22) Filed: **Mar. 21, 2002**

(51) **LOC (7) Cl.** **09-07**

(52) **U.S. Cl.** **D9/443**

(58) **Field of Search** D9/434, 435, 443, D9/439, 450, 452, 453; 215/200, 295, 305; 220/200, 315, 324, 796, 805

(56) **References Cited**

U.S. PATENT DOCUMENTS

- D91,854 S * 3/1934 Steckler D9/443
- D95,904 S * 6/1935 Fuerst D9/453
- 3,187,919 A * 6/1965 Inglis 215/305
- 3,250,423 A * 5/1966 Curran 220/324

- D212,463 S * 10/1968 Vanderhyde D9/450
- D216,007 S * 11/1969 Kearney D9/443
- D263,799 S * 4/1982 Nilsson D9/439
- D418,060 S * 12/1999 De Villiers D9/443
- D463,281 S * 9/2002 Druitt D9/452

* cited by examiner

Primary Examiner—Dominic Simone

(74) *Attorney, Agent, or Firm*—Wood, Phillips, Katz, Clark & Mortimer

(57) **CLAIM**

The ornamental design for a closure, substantially as shown and described.

DESCRIPTION

FIG. 1 is a top perspective view of a closure of the present design;
 FIG. 2 is a bottom perspective view thereof;
 FIG. 3 is a top plan view thereof;
 FIG. 4 is a bottom plan view thereof;
 FIG. 5 is a side elevational view thereof, with the opposite side elevational view being a substantial mirror image;
 FIG. 6 is a front plan view thereof; and,
 FIG. 7 is a rear plan view thereof.

1 Claim, 3 Drawing Sheets

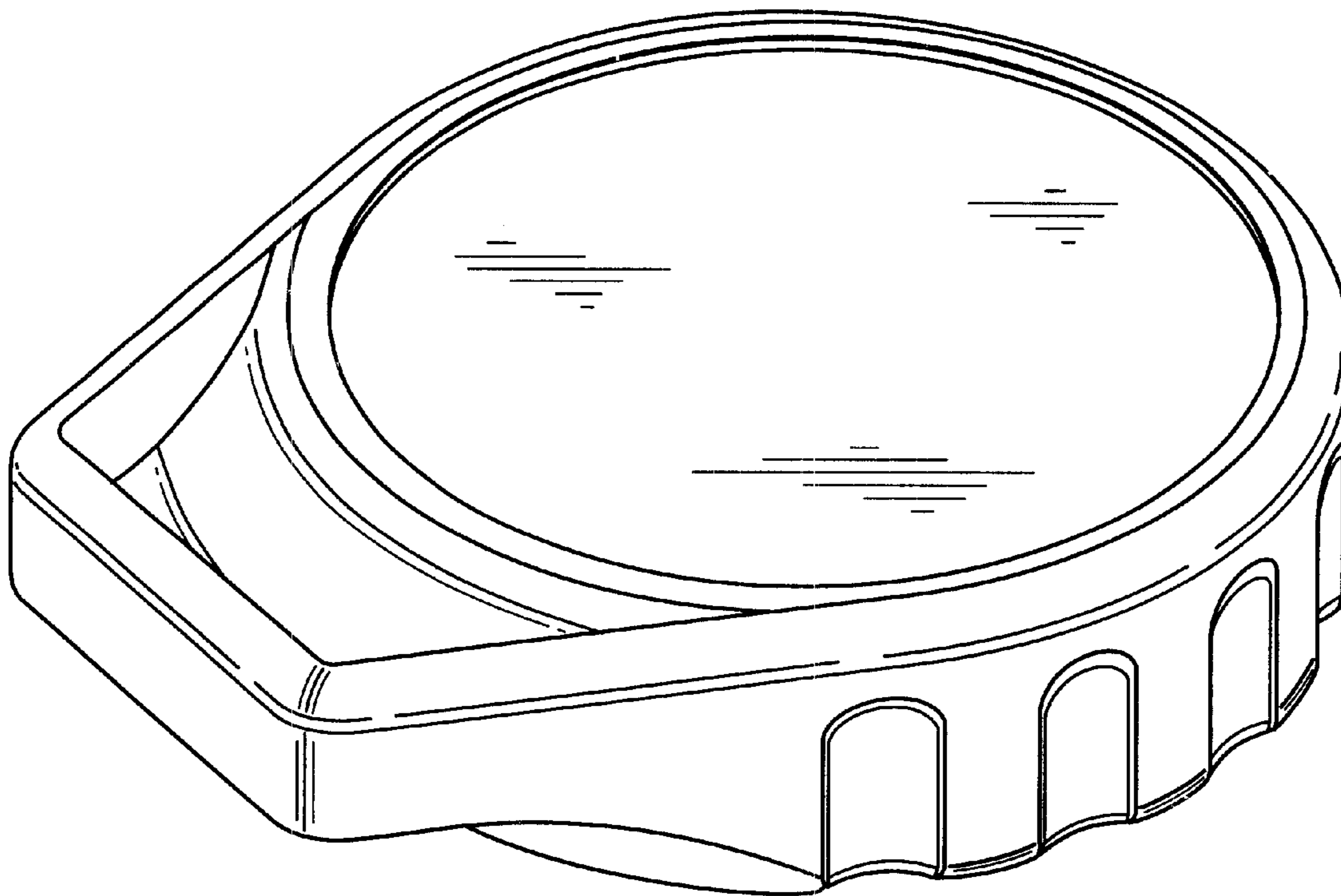


FIG. 1

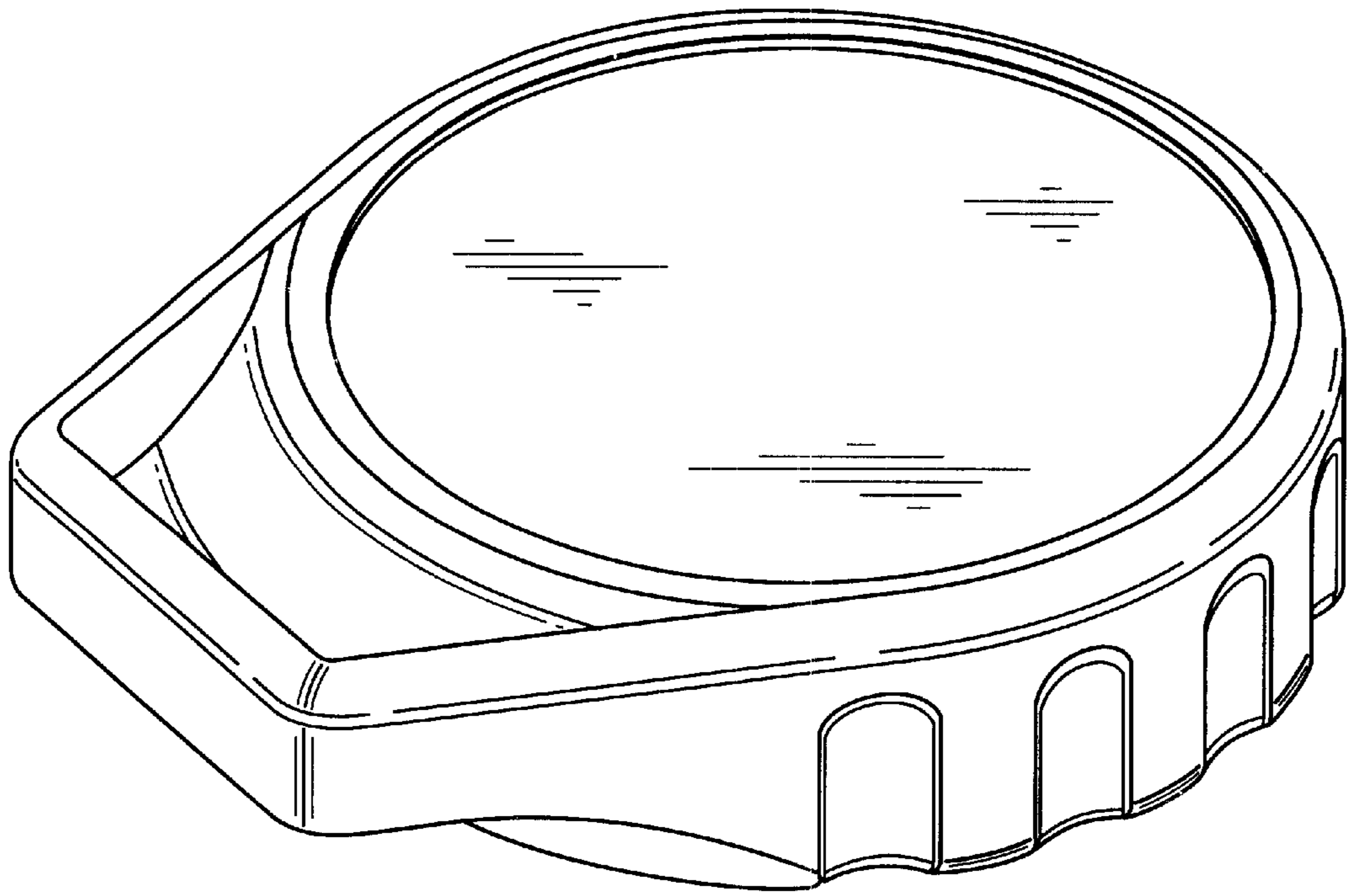


FIG. 2

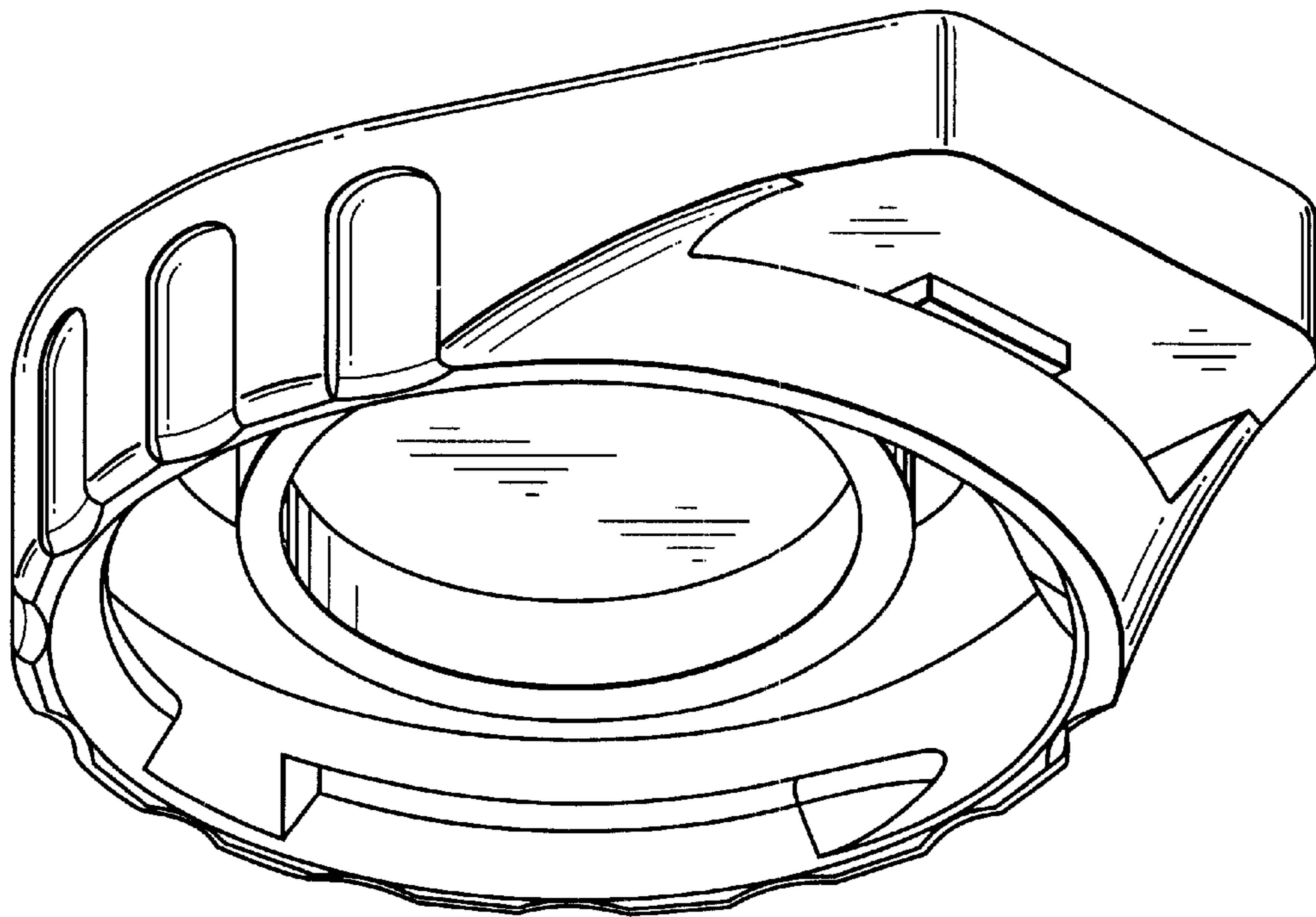


FIG. 3

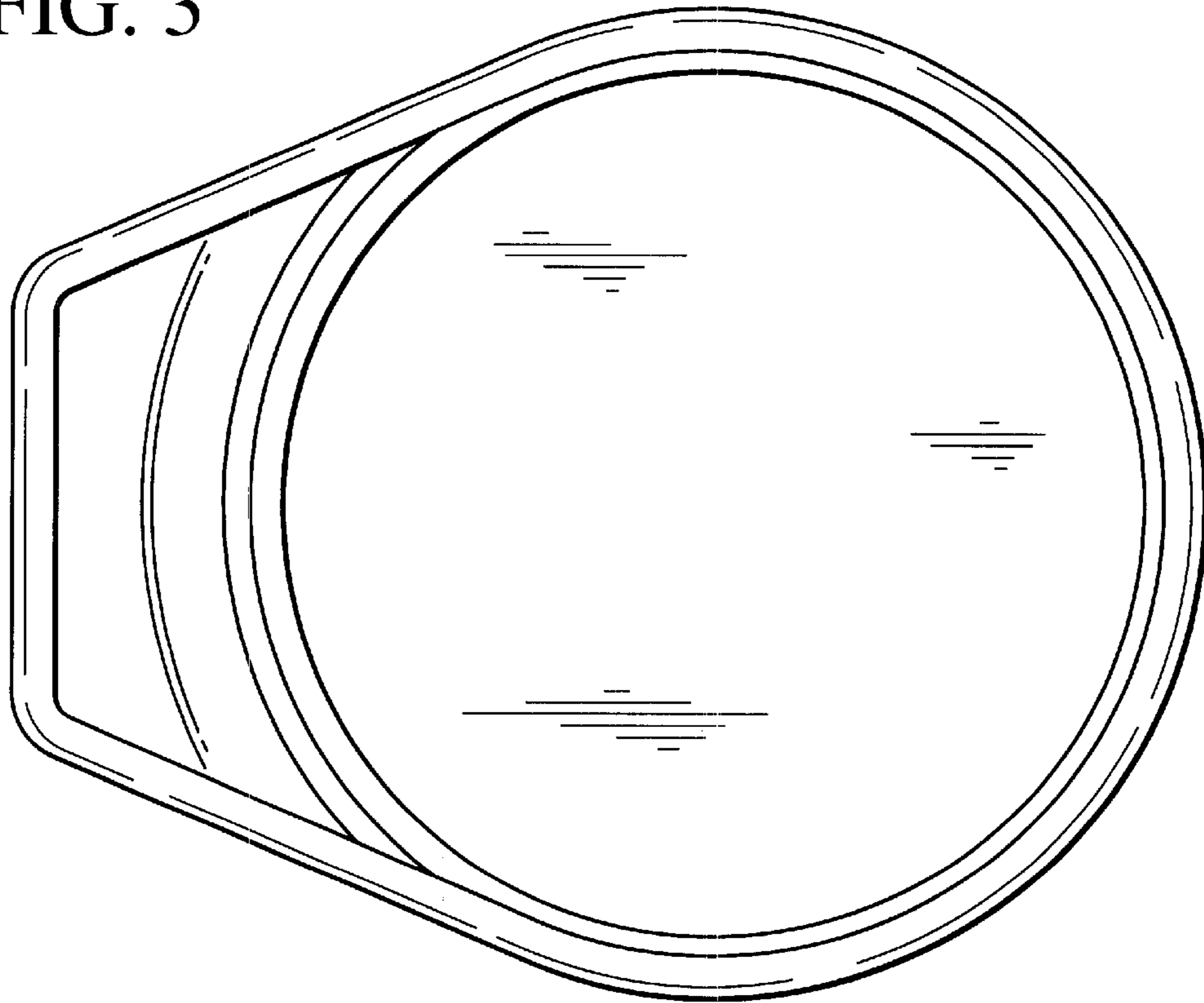


FIG. 4

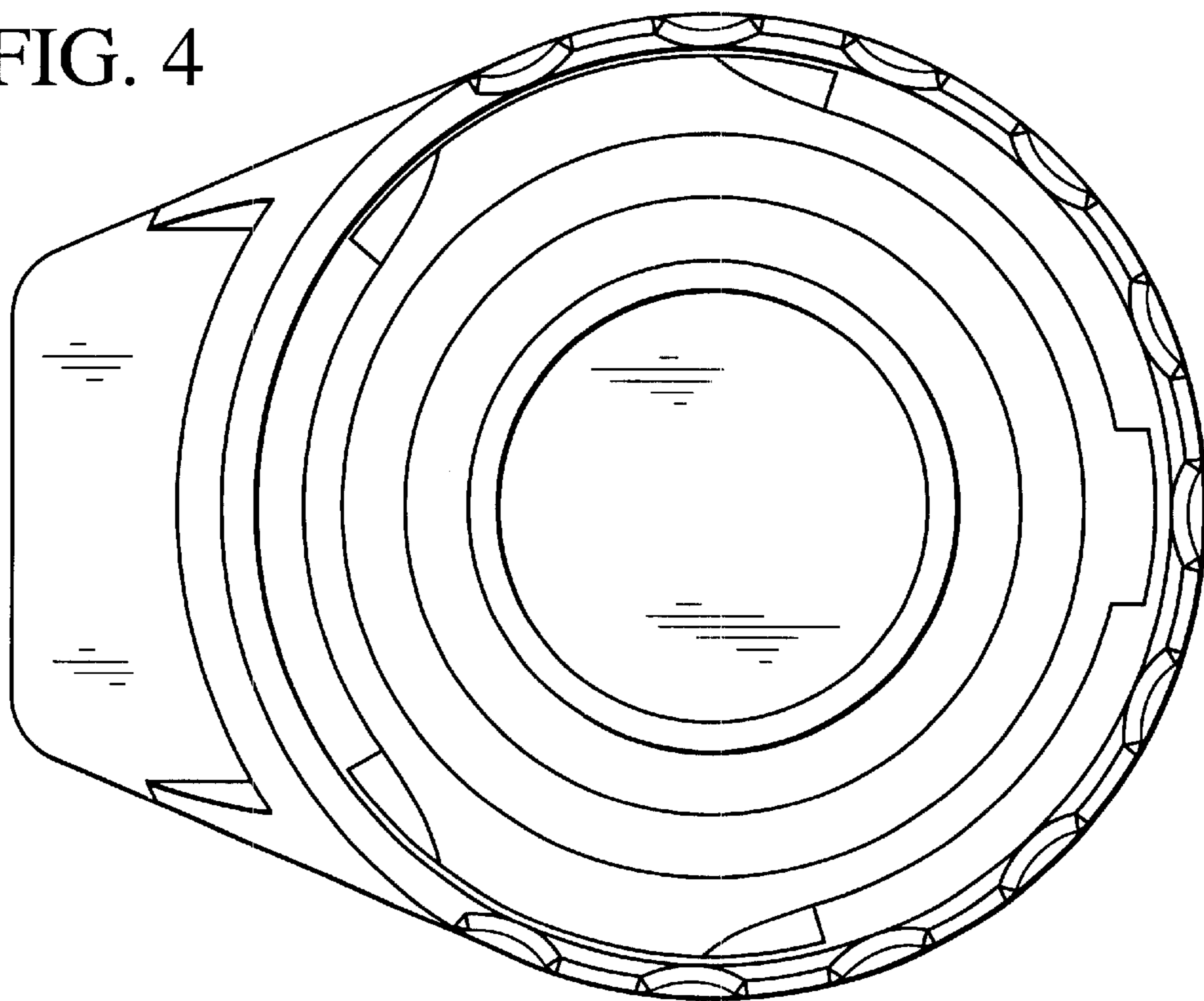


FIG. 5

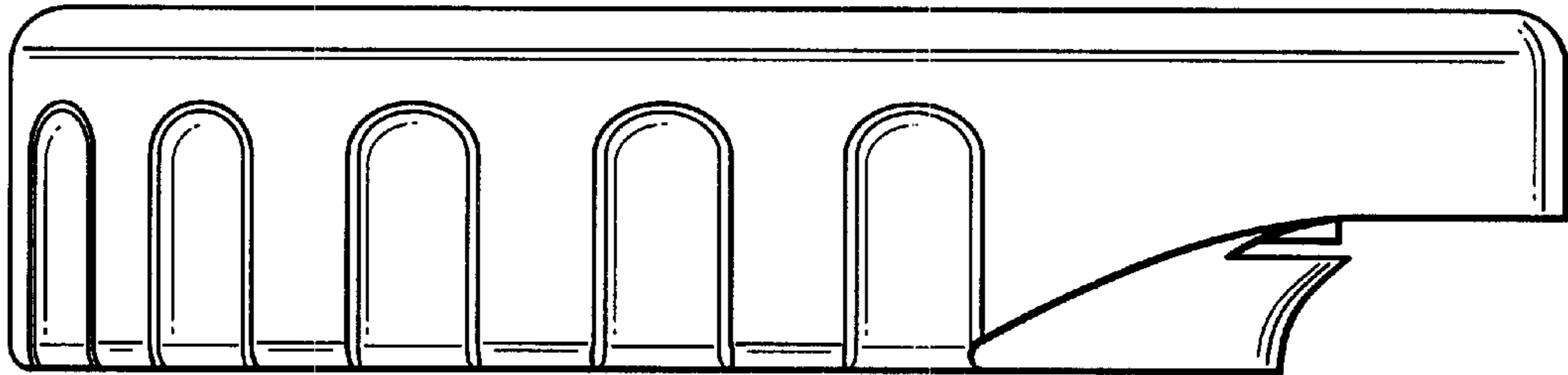


FIG. 6

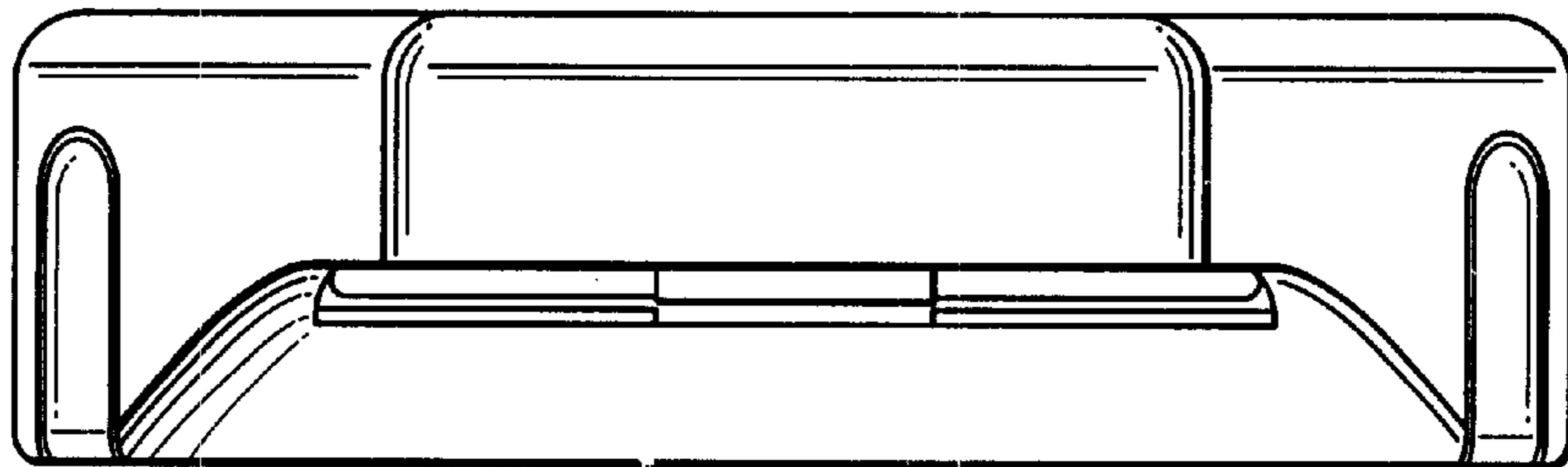


FIG. 7

