



US00D471453S

(12) **United States Design Patent**
Stodd

(10) **Patent No.:** **US D471,453 S**

(45) **Date of Patent:** **** Mar. 11, 2003**

(54) **CAN END**

(75) **Inventor:** **Ralph P. Stodd**, Dayton, OH (US)

(73) **Assignee:** **Container Development, Ltd**, Dayton, OH (US)

(**) **Term:** **14 Years**

(21) **Appl. No.:** **29/153,001**

(22) **Filed:** **Jan. 4, 2002**

(51) **LOC (7) Cl.** **09-07**

(52) **U.S. Cl.** **D9/434**

(58) **Field of Search** D9/434, 435, 438,
D9/454; 220/200, 260, 269, 270, 608, 610,
612, 617-621

(56) **References Cited**

U.S. PATENT DOCUMENTS

3,301,464	A	1/1967	Amberg
3,409,168	A	11/1968	Chmielowiec
3,814,279	A	6/1974	Rayzal
D236,952	S	9/1975	Debenham
4,270,475	A	6/1981	Fletcher et al.
D277,826	S	3/1985	Brown

D374,822	S	10/1996	Philips
D387,987	S	12/1997	Neiner
D406,236	S	3/1999	Brifcani et al.
D415,026	S	10/1999	Turner et al.
D423,932	S	5/2000	Miura
D452,155	S	12/2001	Stodd

Primary Examiner—Dominic Simone
(74) *Attorney, Agent, or Firm*—Jacox, Meckstroth & Jenkins

(57) **CLAIM**

The ornamental design of a can end, as shown and described.

DESCRIPTION

FIG. 1 is a perspective view of a can end showing my new design;
FIG. 2 is a top view thereof;
FIG. 3 is a bottom view thereof;
FIG. 4 is a side view thereof;
FIG. 5 is a sectional view thereof, taken on the line 5—5 of FIG. 2; and,
FIG. 6 is an enlargement of the sectional view of FIG. 5 with a center portion broken away.

1 Claim, 3 Drawing Sheets

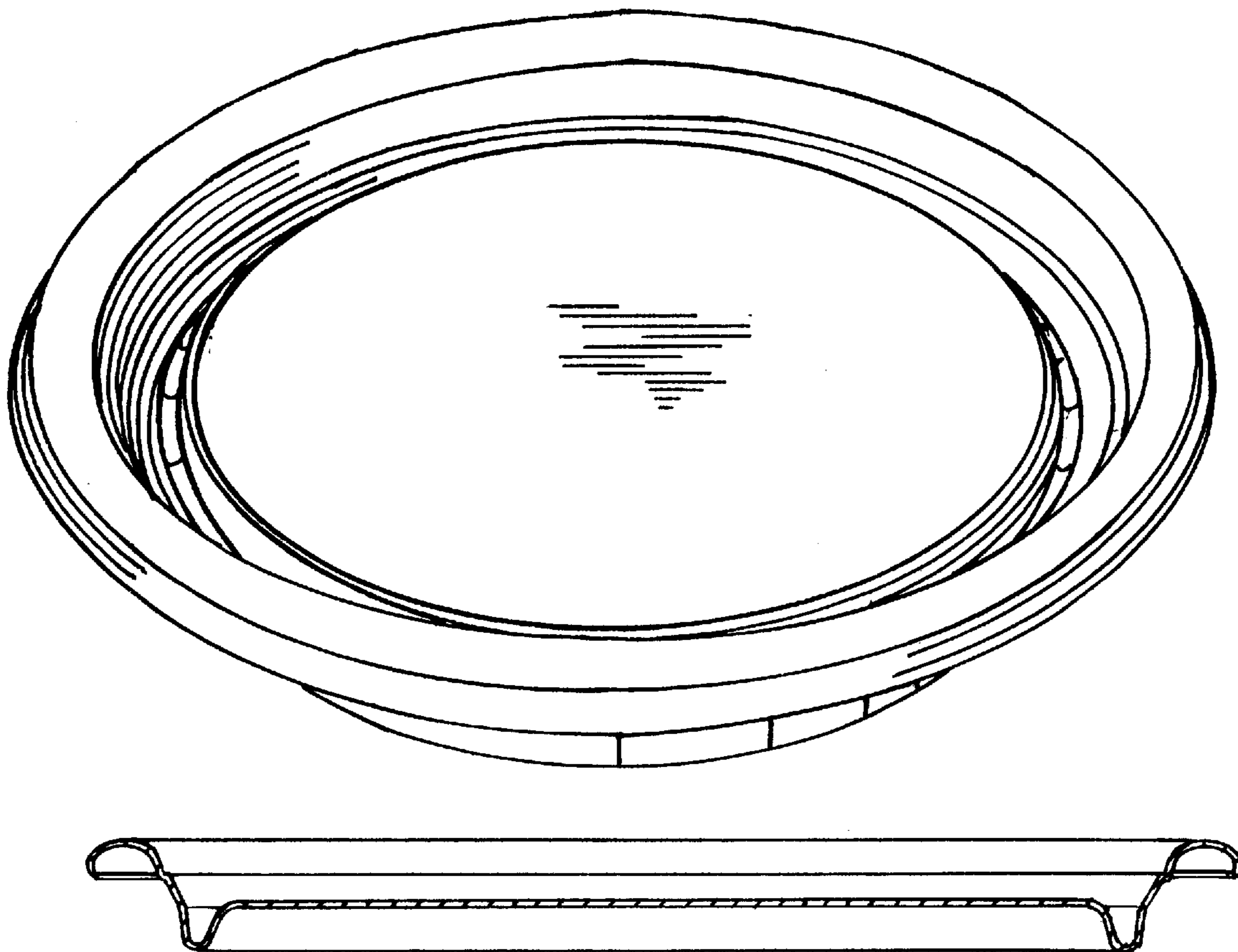


FIG-1

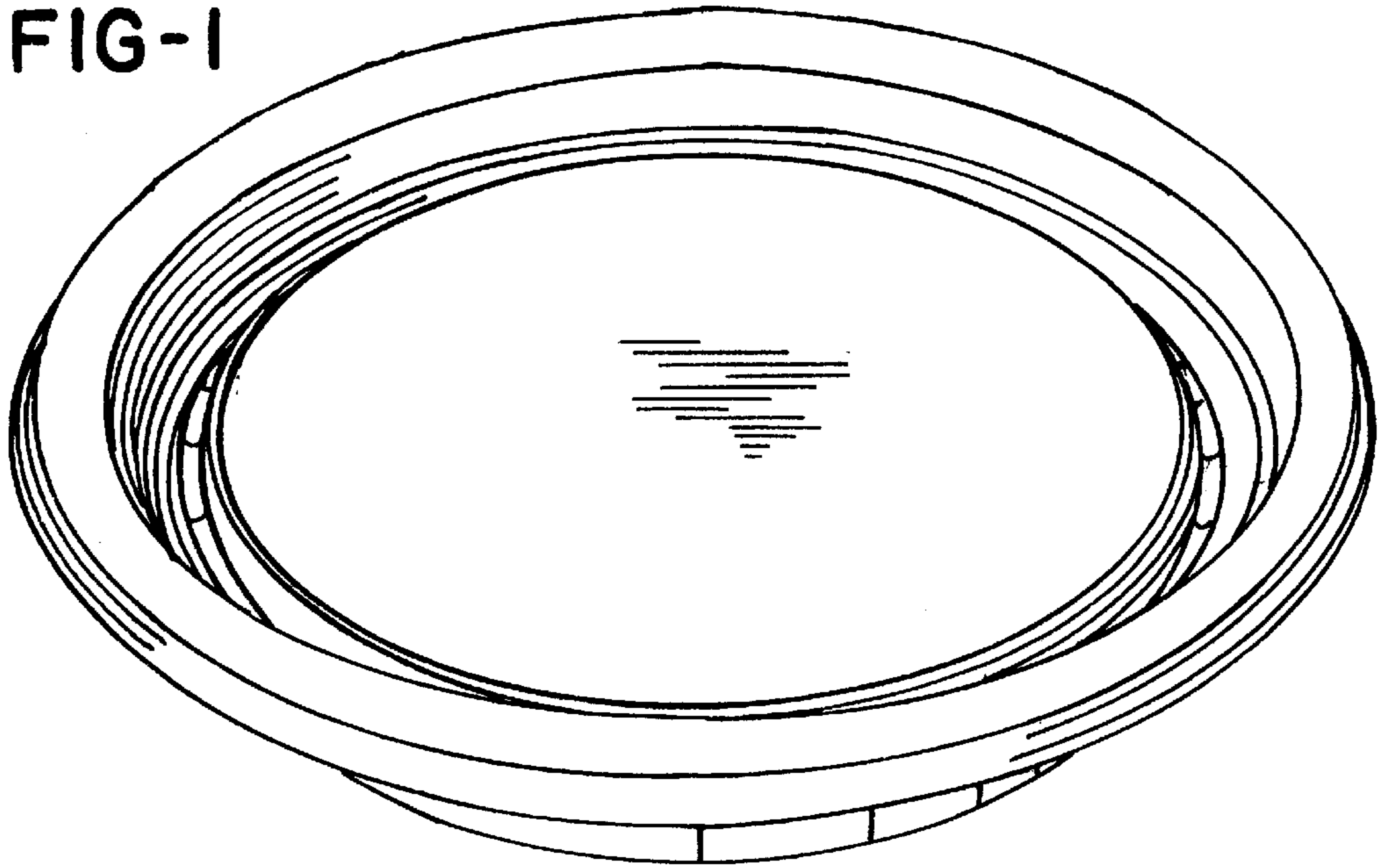


FIG-2

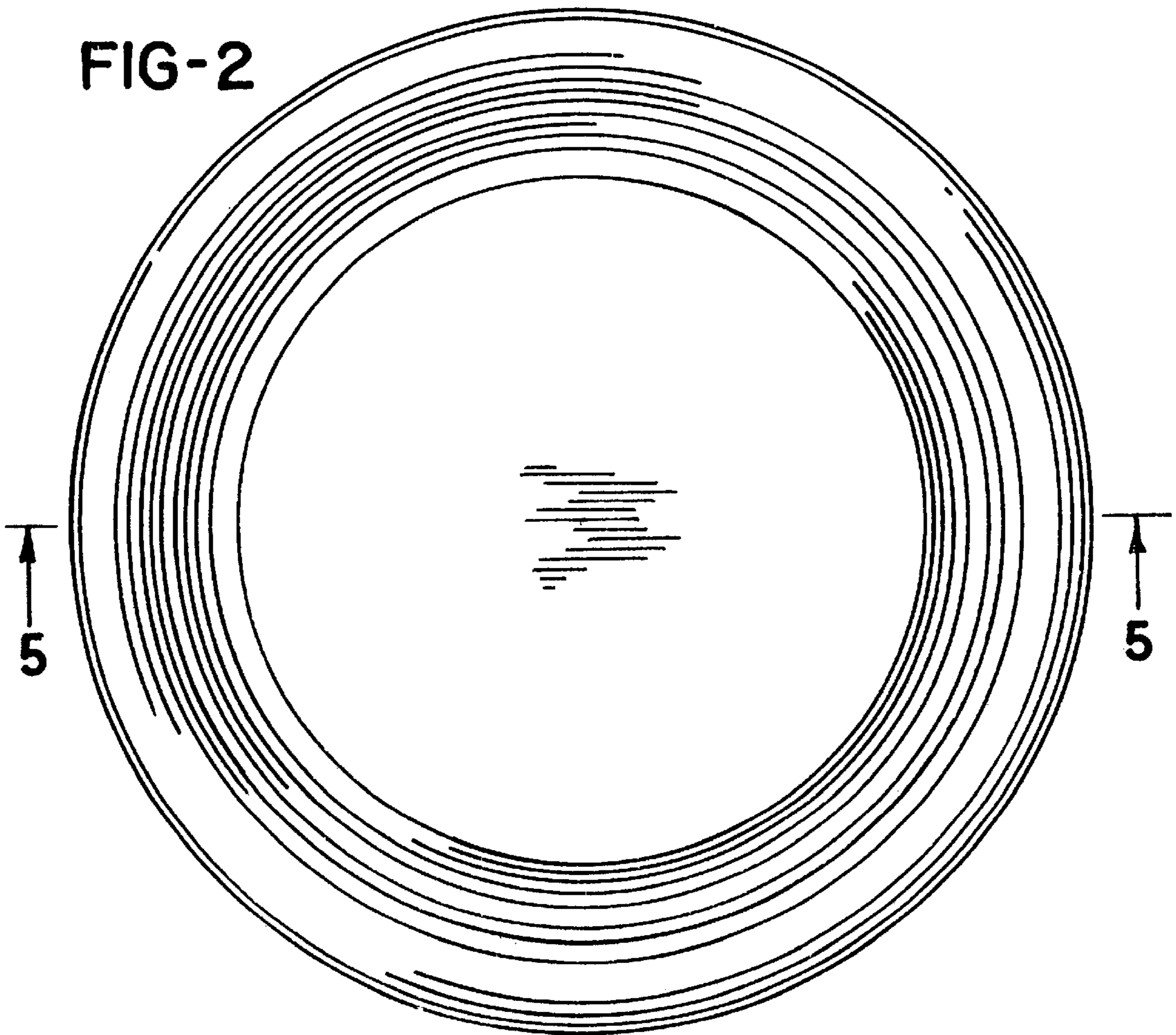


FIG-3

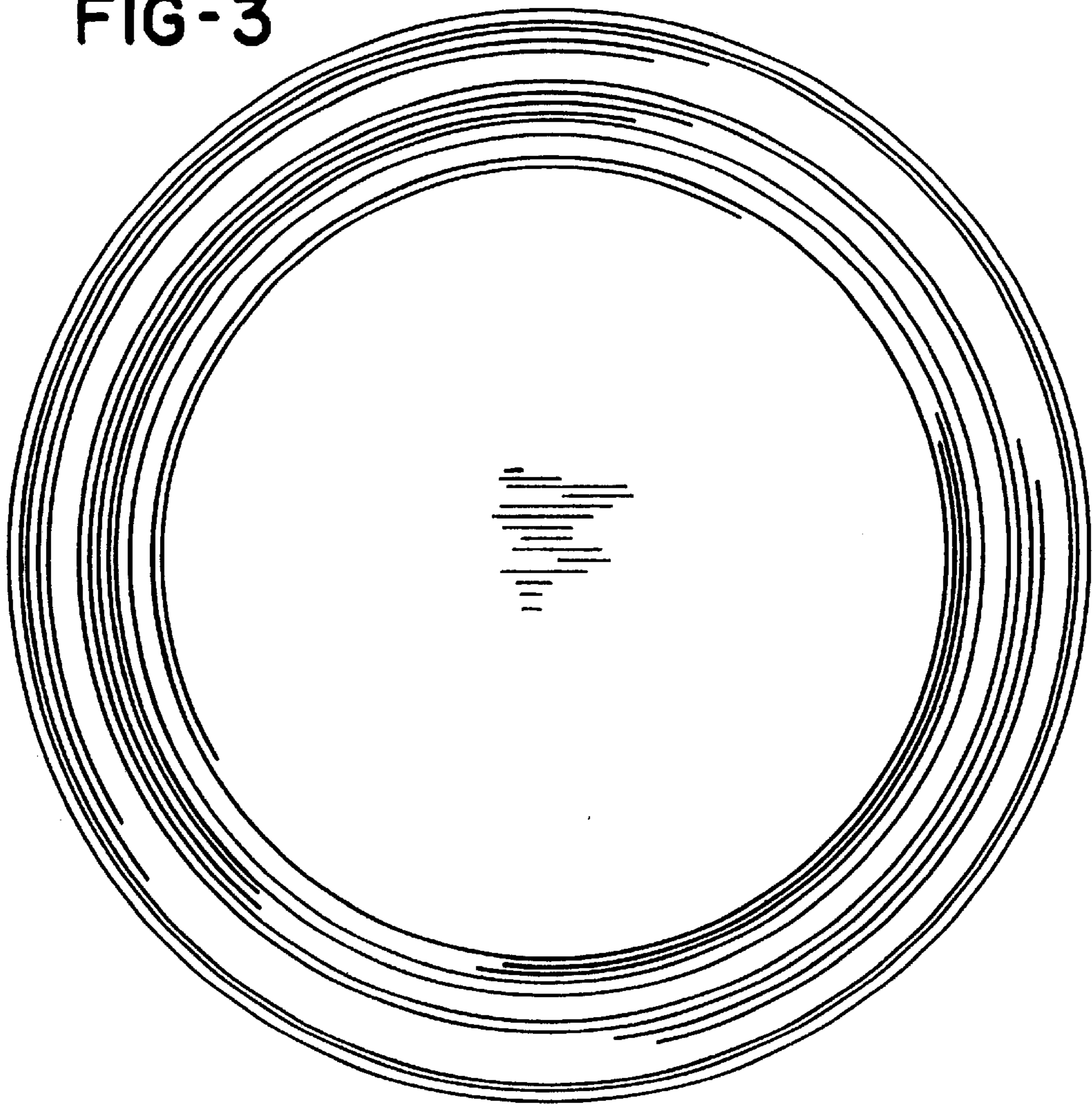


FIG-4

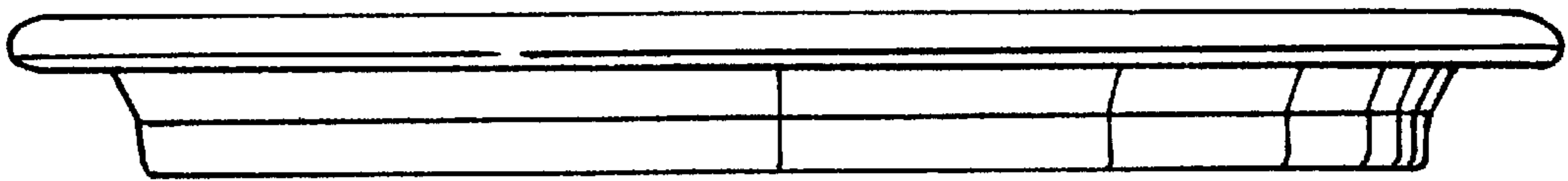


FIG-5

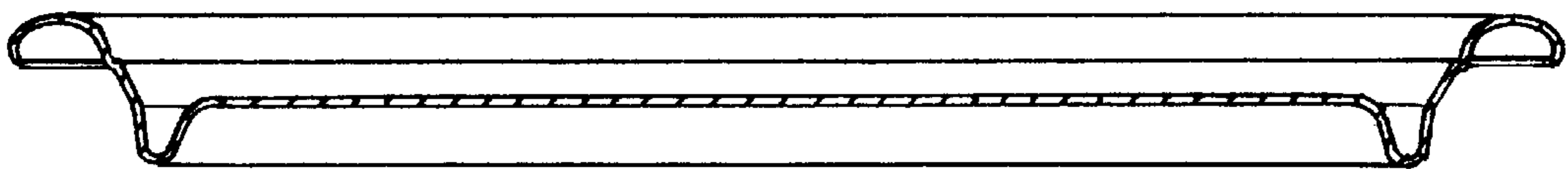


FIG-6

