



US00D471451S

(12) **United States Design Patent**
Hadeler

(10) **Patent No.:** **US D471,451 S**

(45) **Date of Patent:** **** Mar. 11, 2003**

(54) **SHRIMP COCKTAIL CONTAINER**

(76) Inventor: **Robert W. Hadeler**, P.O. Box 2572,
Rancho Santa Fe, CA (US) 92067

(**) Term: **14 Years**

(21) Appl. No.: **29/156,963**

(22) Filed: **Mar. 11, 2002**

(51) **LOC (7) Cl.** **09-03**

(52) **U.S. Cl.** **D9/433; D9/430**

(58) **Field of Search** D9/414, 418, 425,
D9/430, 433, 499; 206/476, 477, 551, 553,
527, 557, 822; 220/62, 574, 600, 890; 229/100,
102, 107, 116.1, 185.1, 186

(56) **References Cited**

U.S. PATENT DOCUMENTS

1,433,062	A	*	10/1922	Bellamy	
3,623,650	A	*	11/1971	Watts	206/509
3,876,131	A	*	4/1975	Tolaas	229/104
4,339,041	A	*	7/1982	Roberts et al.	206/611
D338,620	S	*	8/1993	Brozowski	D9/430
D431,189	S	*	9/2000	Komatsu	D9/430

* cited by examiner

Primary Examiner—Ted Shooman

Assistant Examiner—Daniel Bui

(74) *Attorney, Agent, or Firm*—The Maxham Firm

(57) **CLAIM**

The ornamental design for a shrimp cocktail container, as shown and described.

DESCRIPTION

FIG. 1 is a perspective view of the shrimp cocktail container in an assembled state;

FIG. 2 is a top view of the shrimp cocktail container in an unassembled state;

FIG. 3 is a top view of the shrimp cocktail container in an assembled state;

FIG. 4 is a bottom view of the shrimp cocktail container in an assembled state;

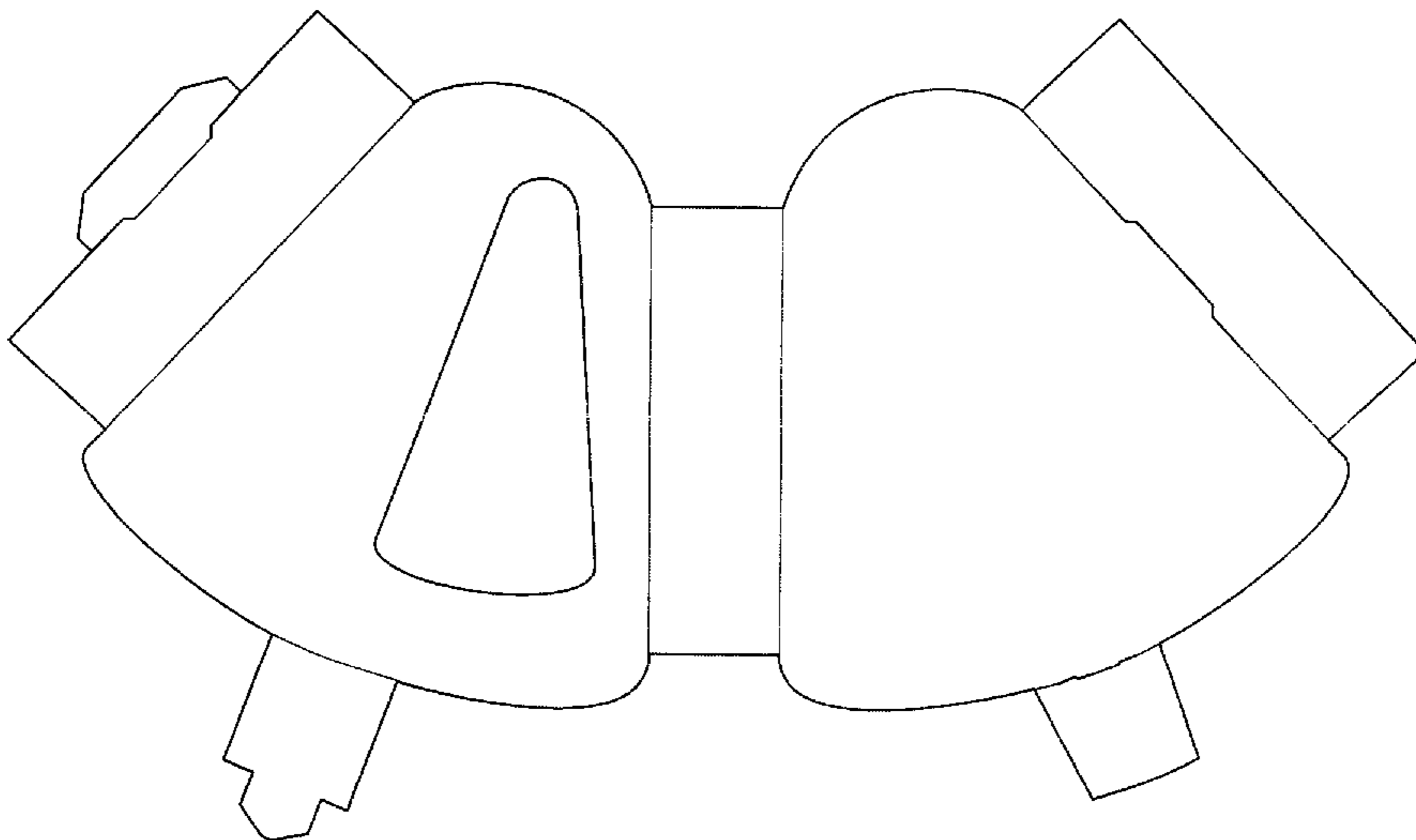
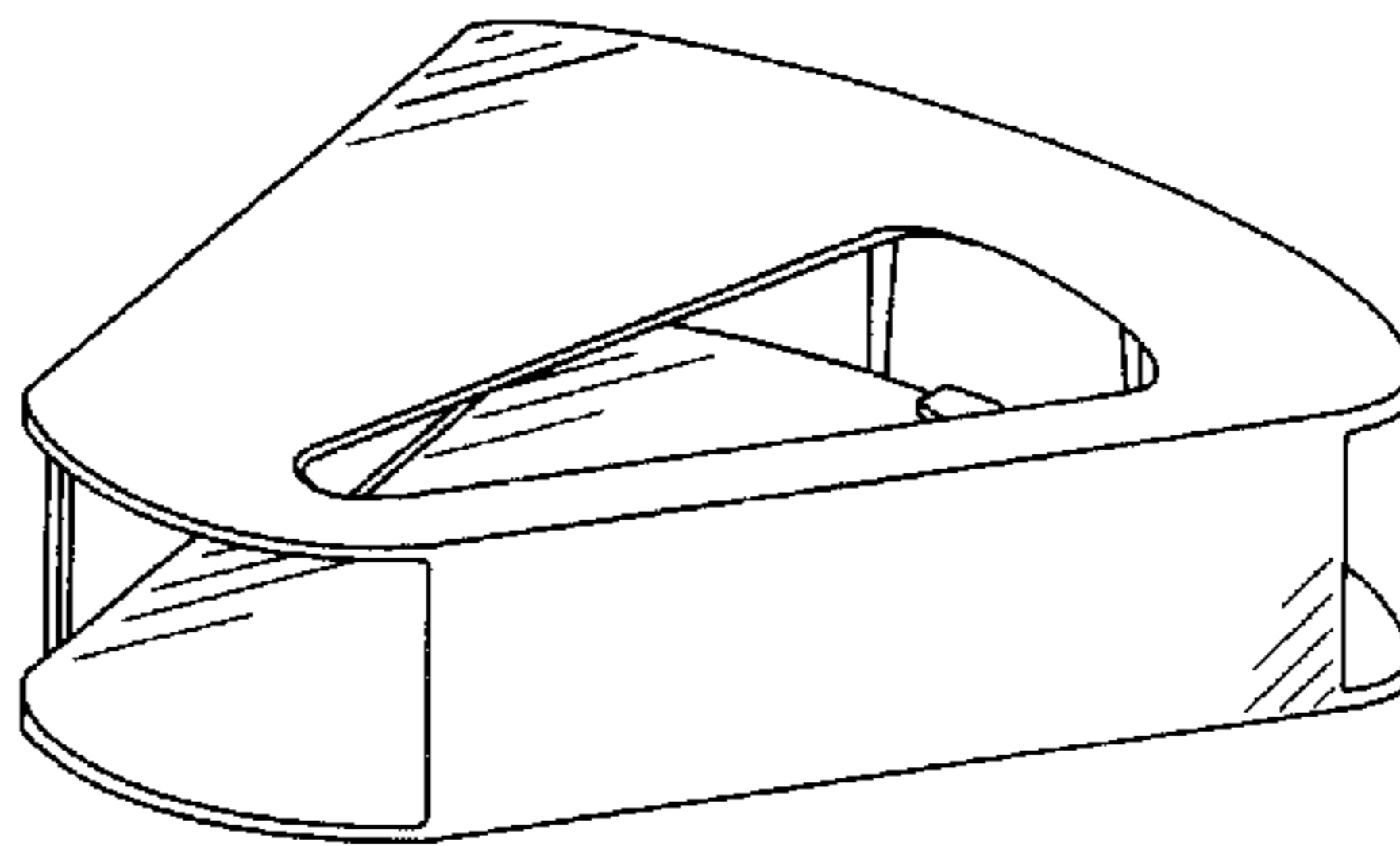
FIG. 5 is a rear end view of the shrimp cocktail container in an assembled state;

FIG. 6 is a front end view of the shrimp cocktail container in an assembled state;

FIG. 7 is a side view of the shrimp cocktail container in an assembled state; and,

FIG. 8 is an opposite side view of the shrimp cocktail container in an assembled state.

1 Claim, 4 Drawing Sheets



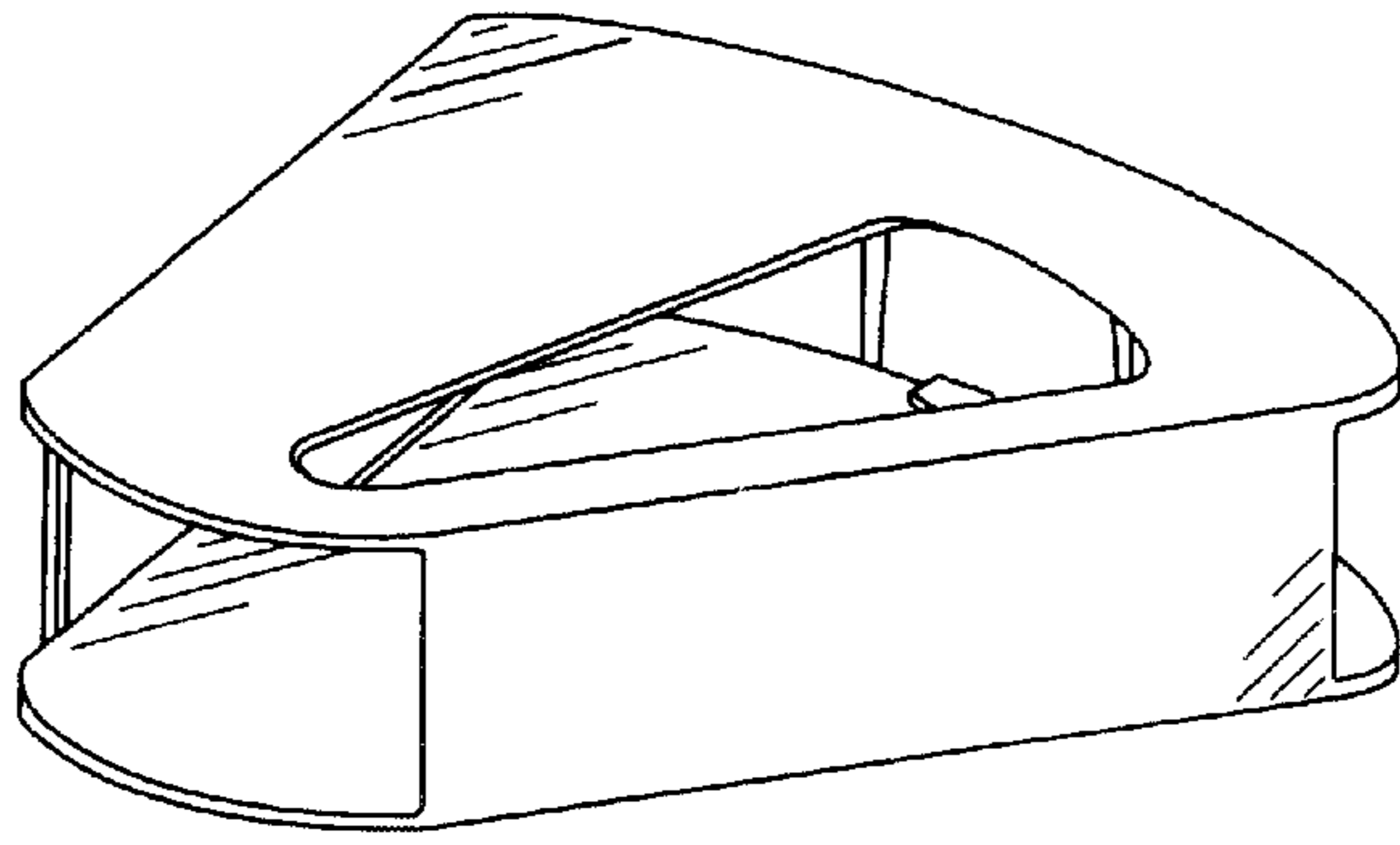


FIG. 1

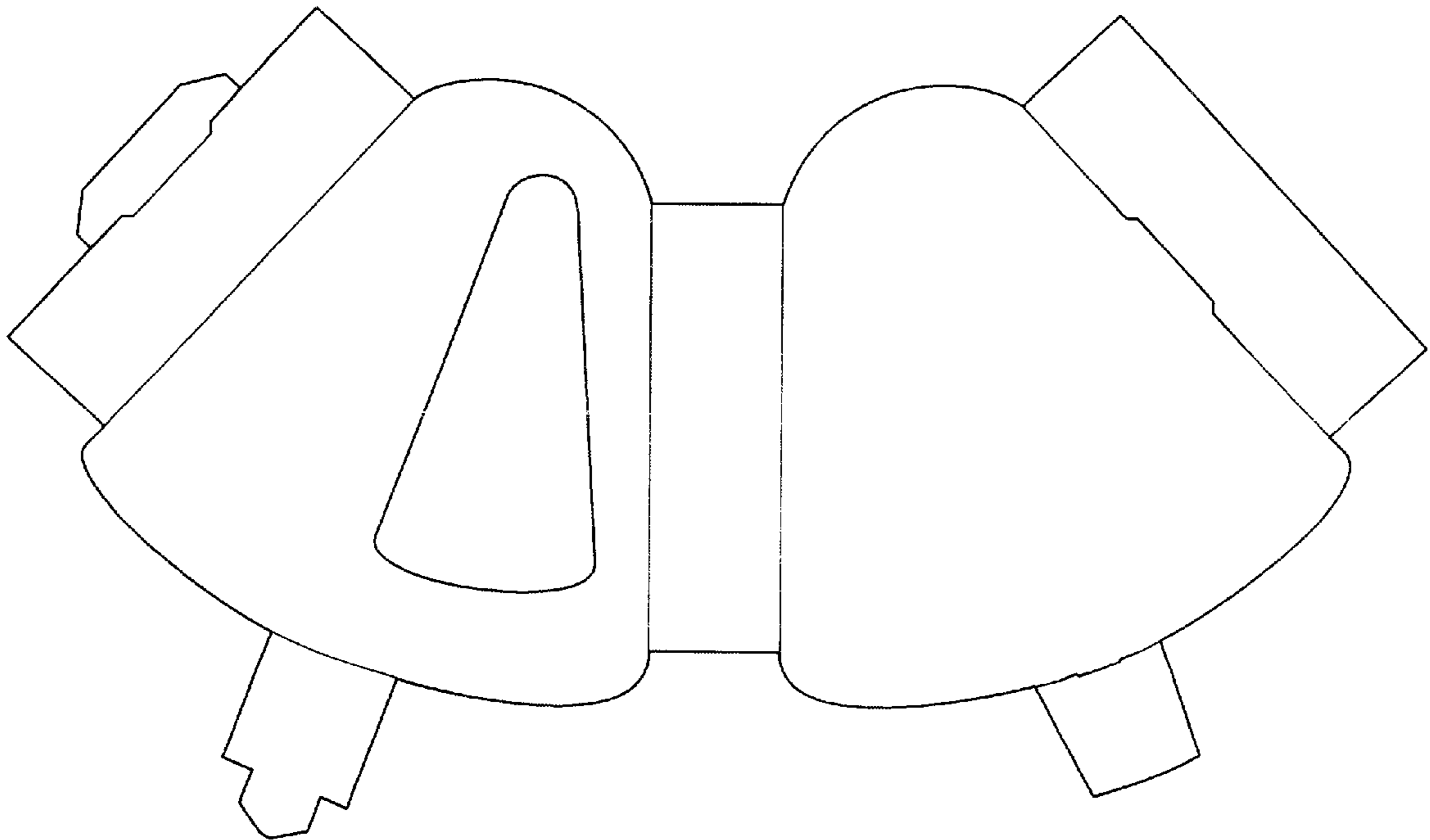


FIG. 2

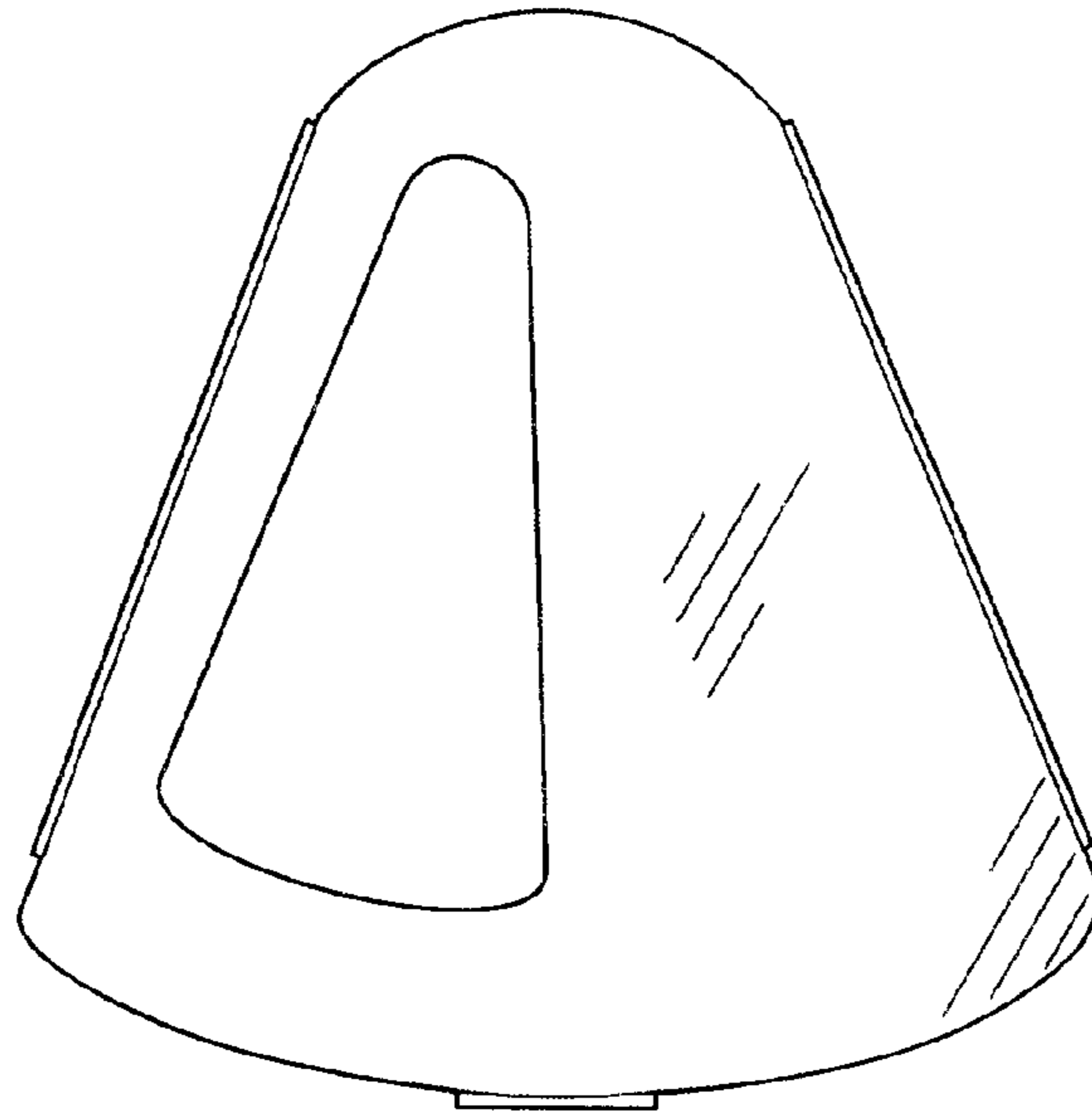


FIG.3

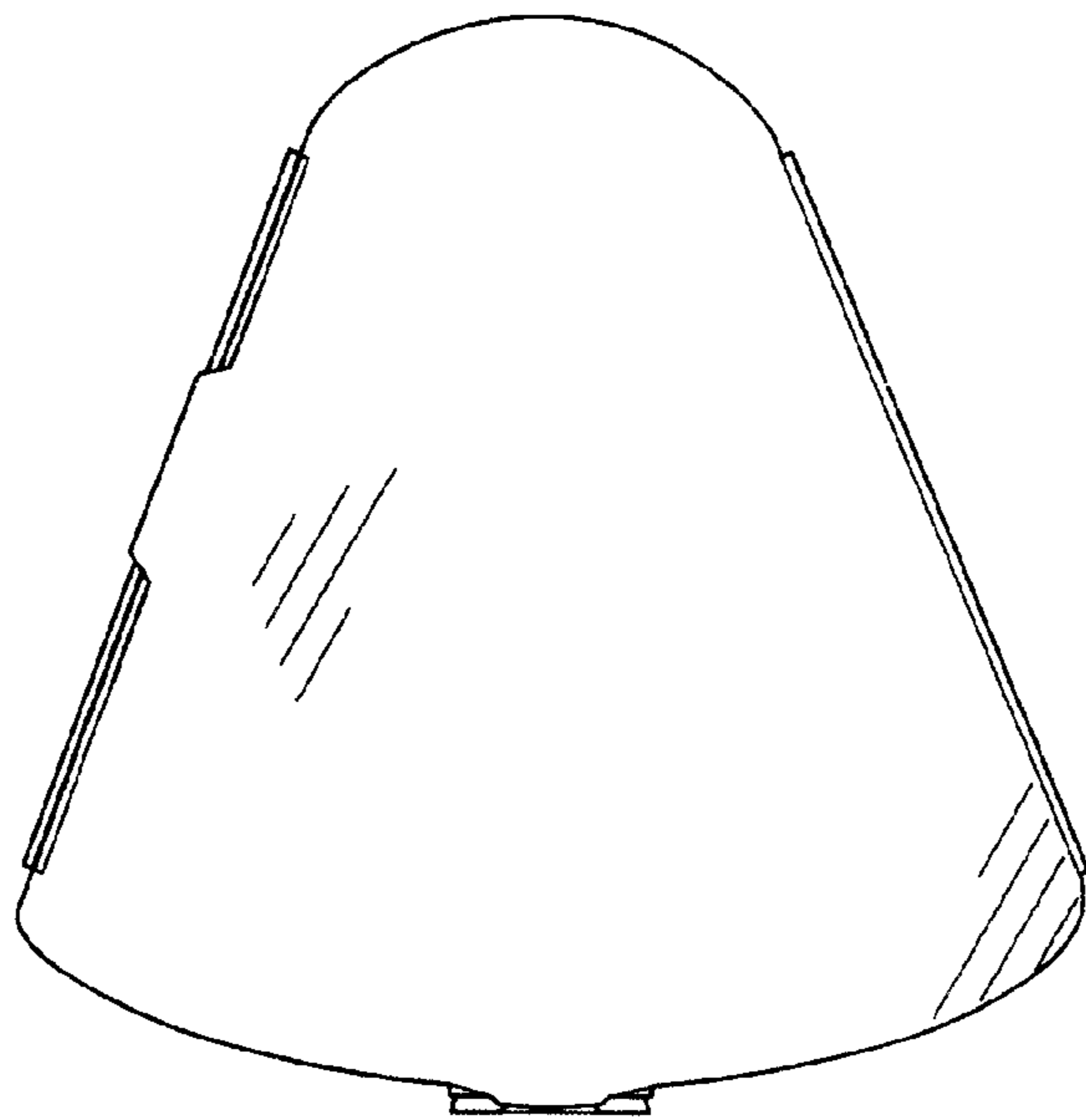


FIG.4

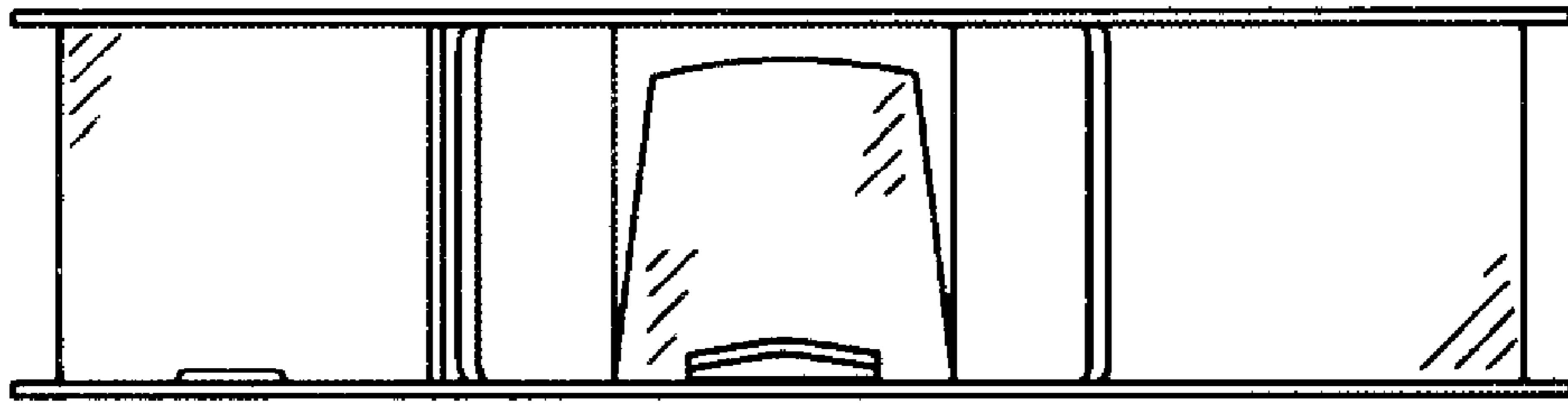


FIG. 5

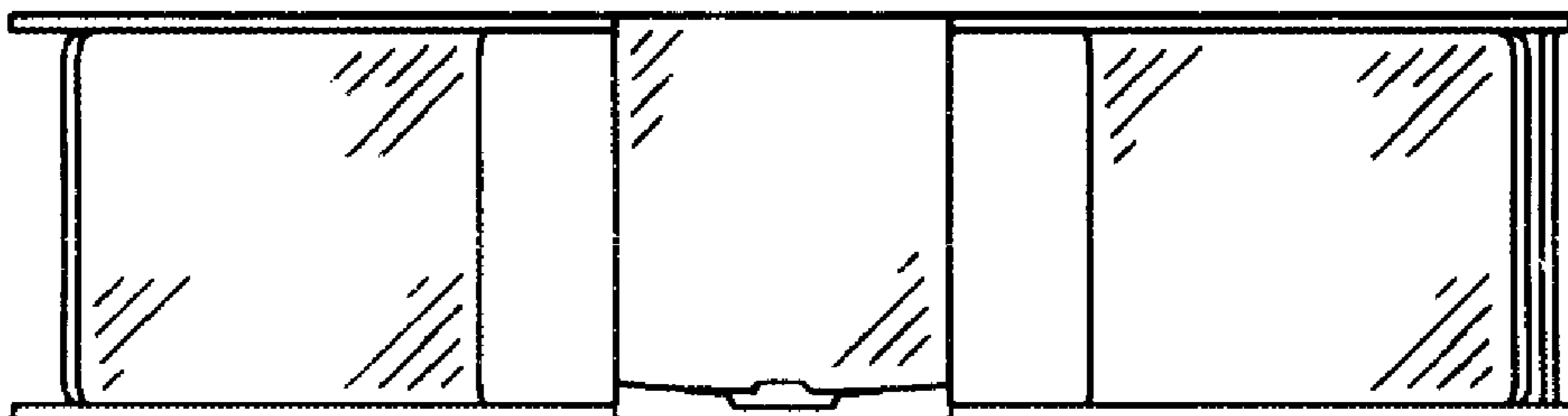


FIG. 6

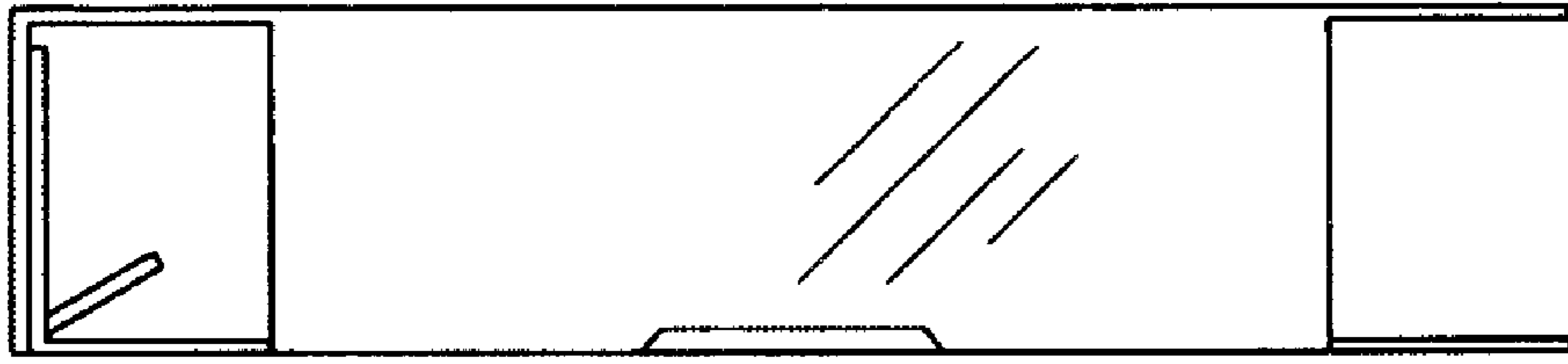


FIG. 7



FIG. 8