



US00D471440S

(12) **United States Design Patent**
Sams et al.

(10) **Patent No.:** **US D471,440 S**

(45) **Date of Patent:** **** Mar. 11, 2003**

(54) **WET WIPE DISPENSER**

(75) Inventors: **Stephen Sams**, London (GB); **Bernard Sams**, London (GB)

(73) Assignee: **The Procter & Gamble Company**, Cincinnati, OH (US)

(**) Term: **14 Years**

(21) Appl. No.: **29/145,200**

(22) Filed: **Jul. 18, 2001**

(30) **Foreign Application Priority Data**

Feb. 2, 2001 (GB) 2099218

(51) **LOC (7) Cl.** **09-01**

(52) **U.S. Cl.** **D9/339**

(58) **Field of Search** D9/339, 416, 420, D9/422, 431, 434, 443, 499; 206/477, 527, 771, 815, 822, 828, 204, 425, 449, 494; 220/200, 213, 810, 890, 558

(56) **References Cited**

U.S. PATENT DOCUMENTS

D295,830 S	*	5/1988	Holly	D9/420
D374,774 S	*	10/1996	Cassel	D3/294
D421,901 S	*	3/2000	Hill	D9/423
D442,081 S	*	5/2001	Paul	D9/423
D443,508 S	*	6/2001	Braaten et al.	D9/416

* cited by examiner

Primary Examiner—Ted Shooman

Assistant Examiner—Daniel Bui

(74) *Attorney, Agent, or Firm*—Ian S. Robinson; David M. Weirich; Ken K. Patel

(57) **CLAIM**

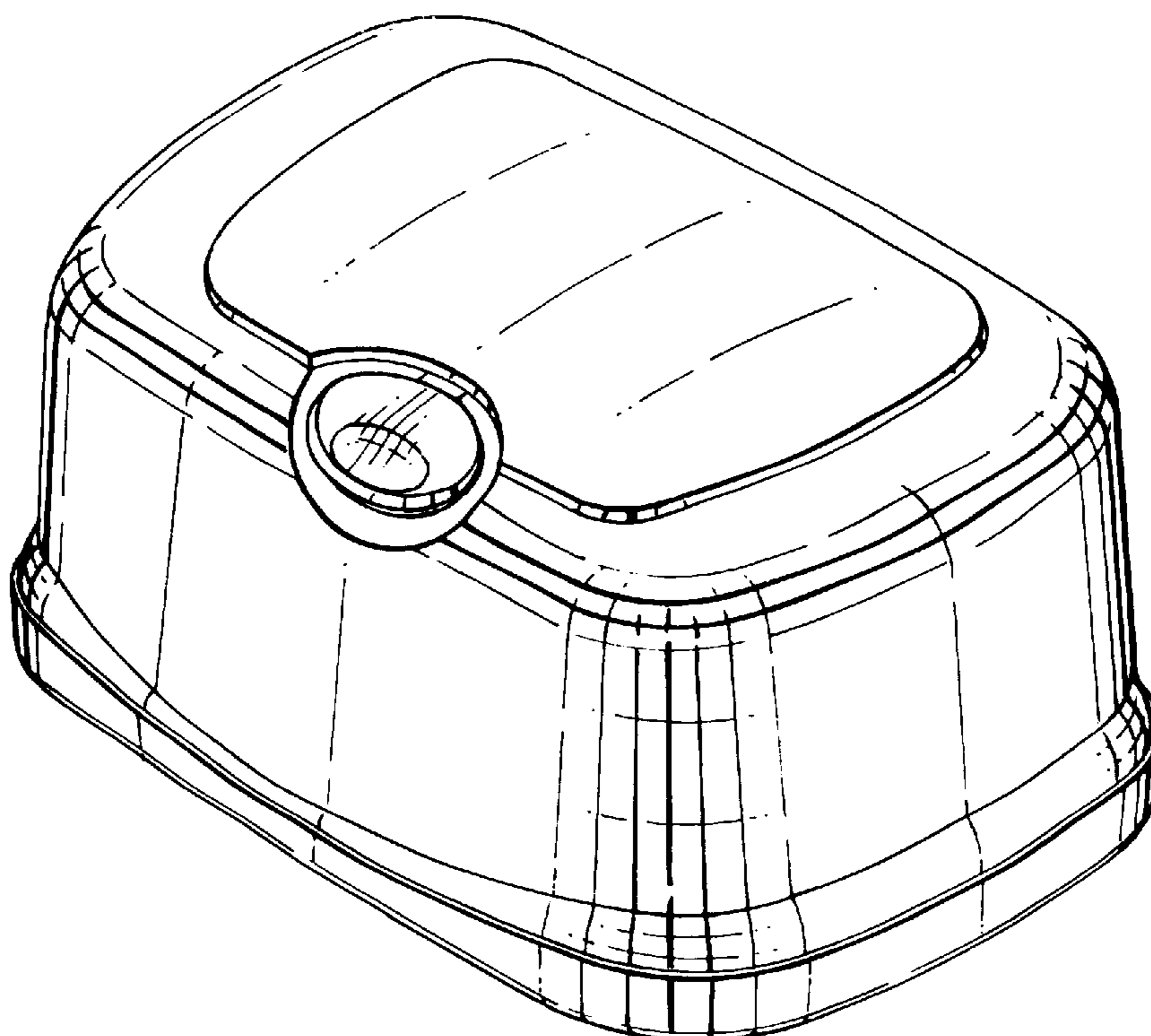
The ornamental design for a wet wipe dispenser, as shown and described.

DESCRIPTION

FIG. 1 is a perspective view from front, above and right end; FIG. 2 is a view from right end; FIG. 3 is a view from front; FIG. 4 is a view from rear; FIG. 5 is a view from left end; FIG. 6 is a view from above; FIG. 7 is a view from below; FIG. 8 is a perspective view from front, above and right end of the base of the wet wipe dispenser; FIG. 9 is a view from left end of the base of the wet wipe dispenser (view from right end corresponds); FIG. 10 is a view from front of the base of the wet wipe dispenser (view from rear corresponds); FIG. 11 is a view from above of the base of the wet wipe dispenser; and, FIG. 12 is a view from below of the base of the wet wipe dispenser.

The base of the wet wipe dispenser shown in FIGS. 8–12 separately is for clarity of illustration only.

1 Claim, 5 Drawing Sheets



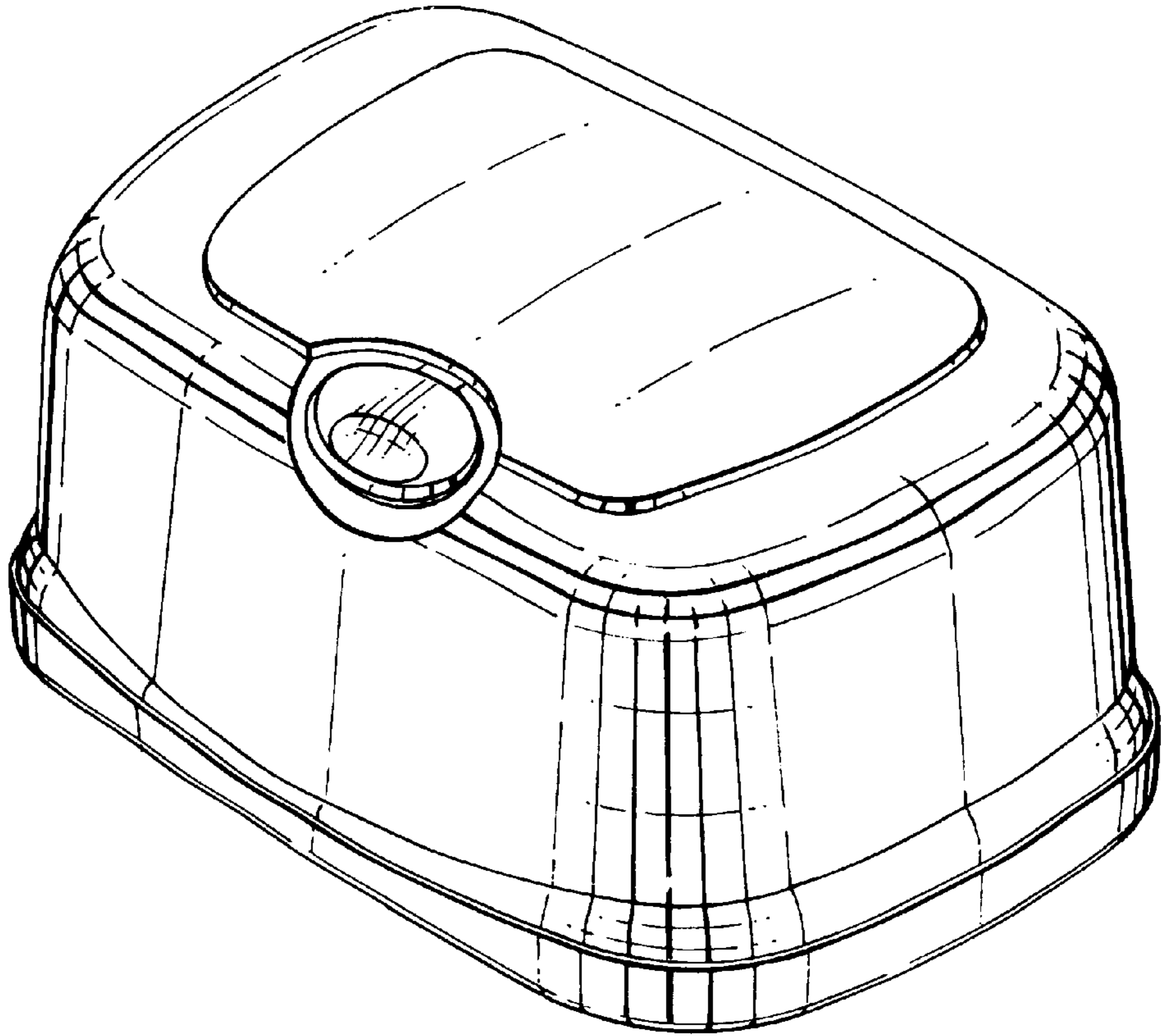


Fig. 1.

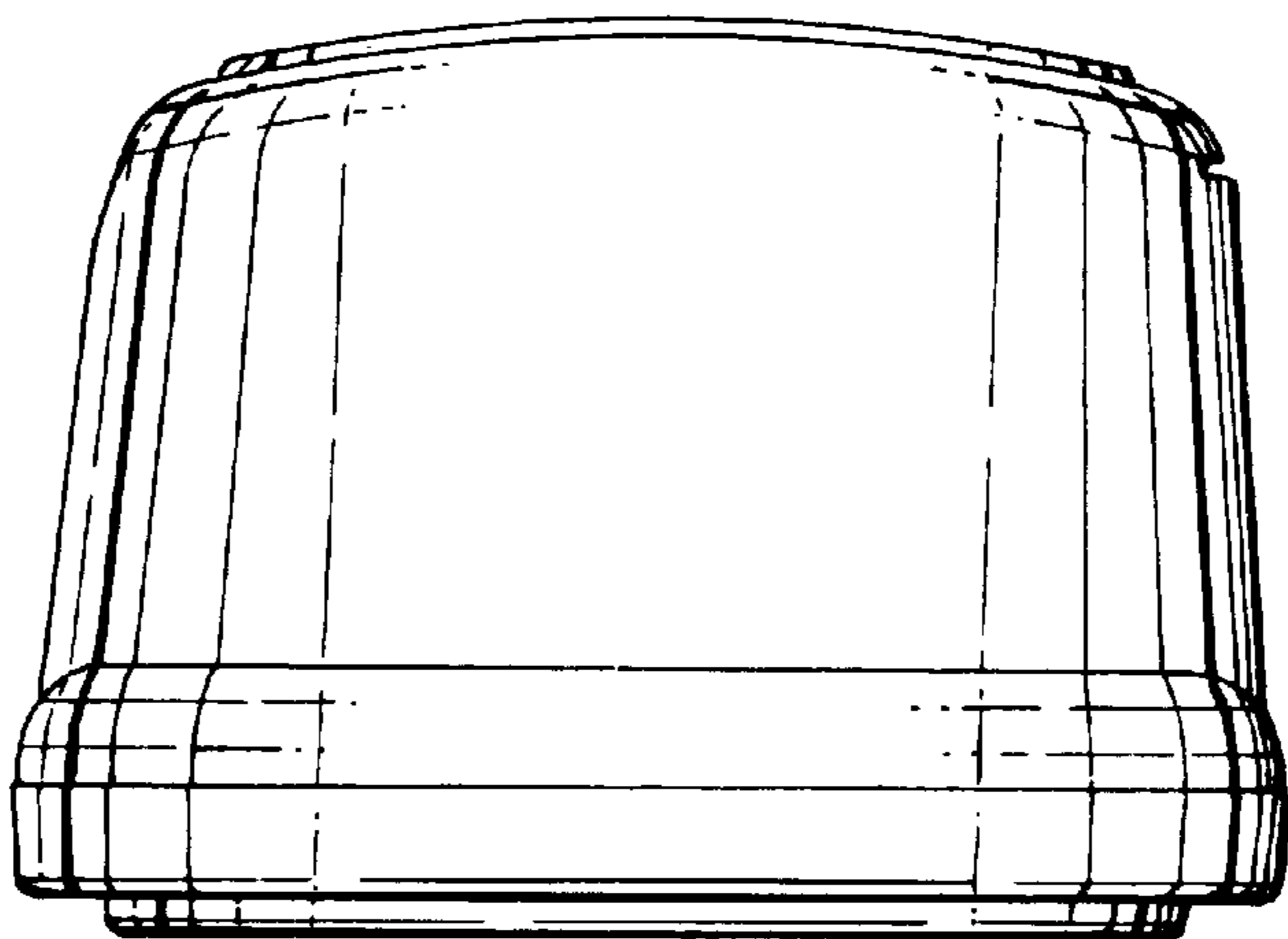


Fig. 2.

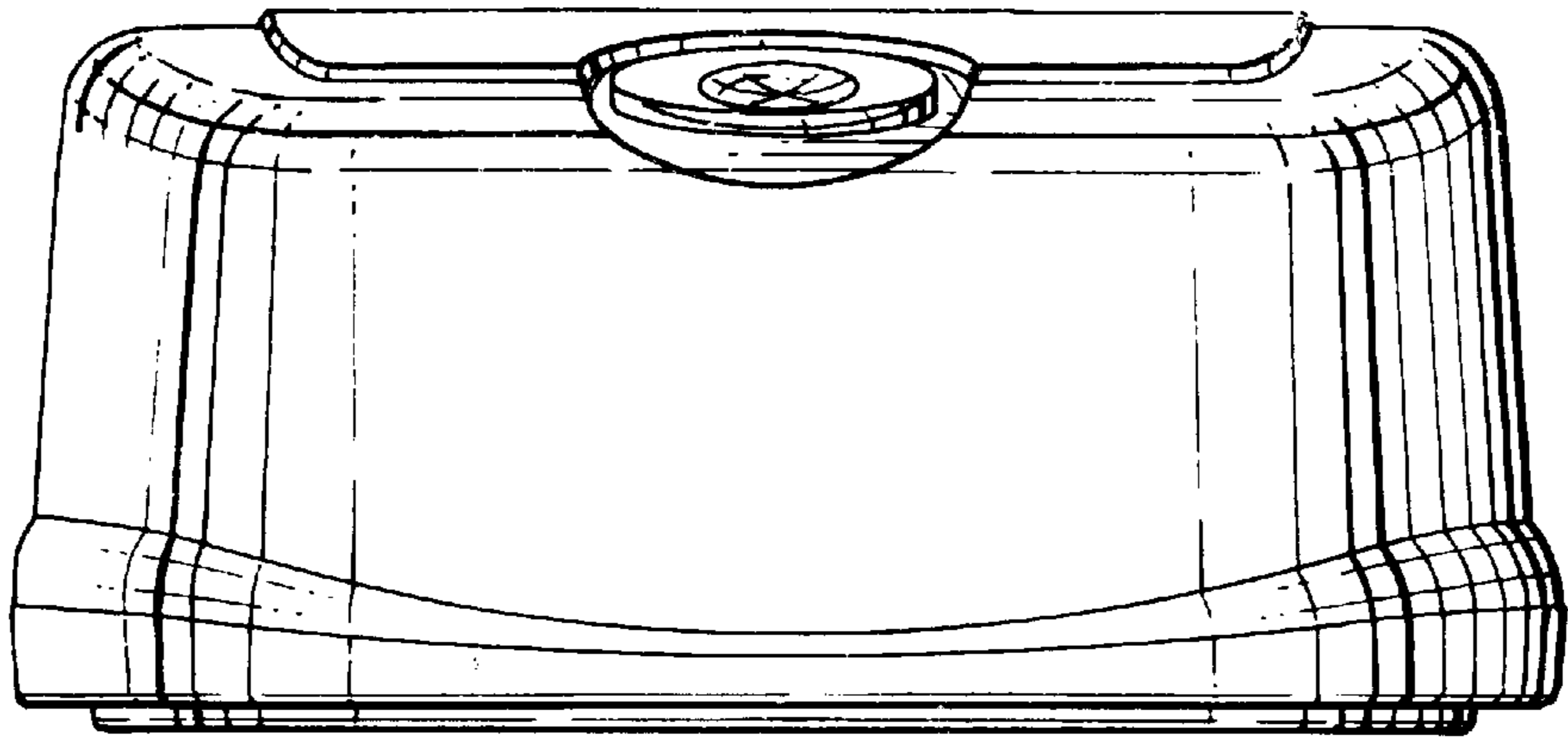


Fig.3.

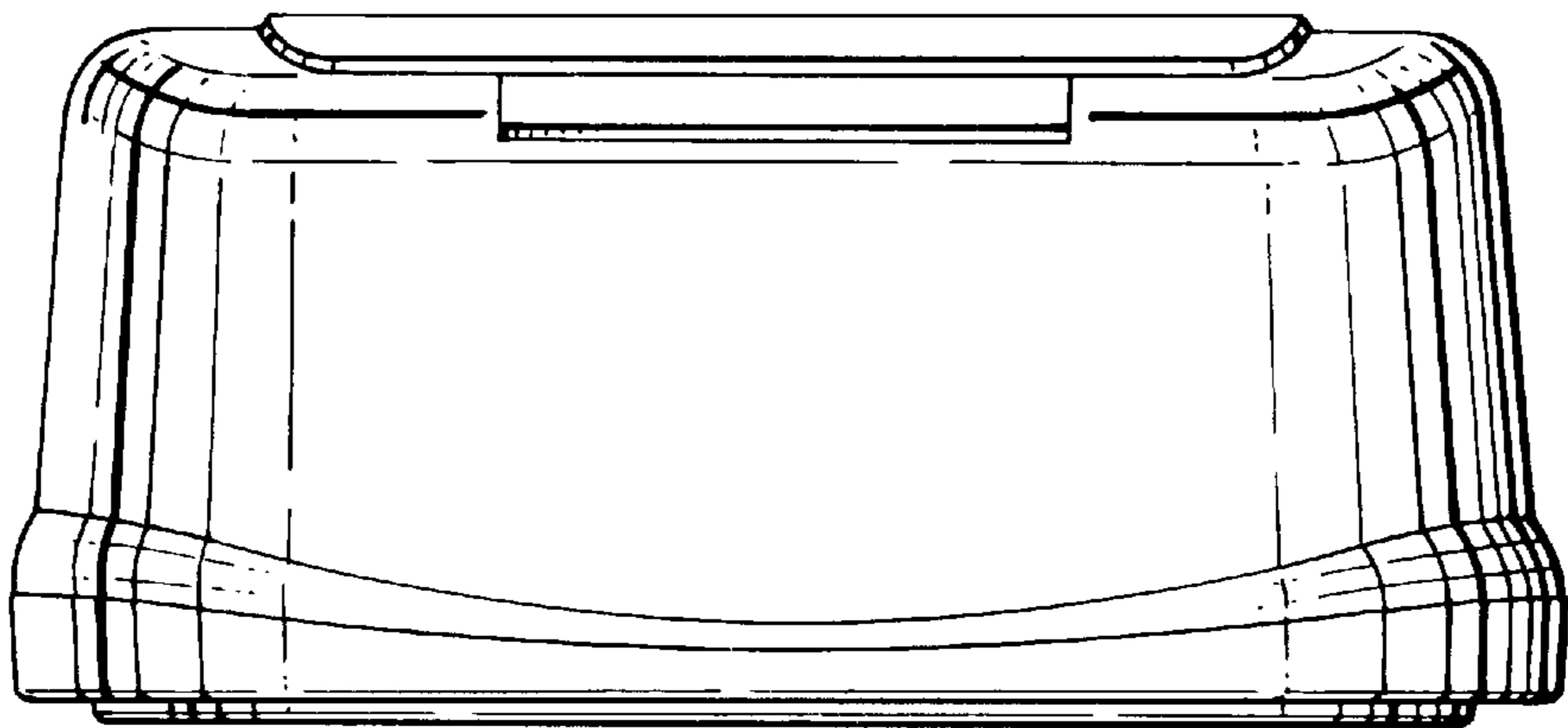


Fig.4.

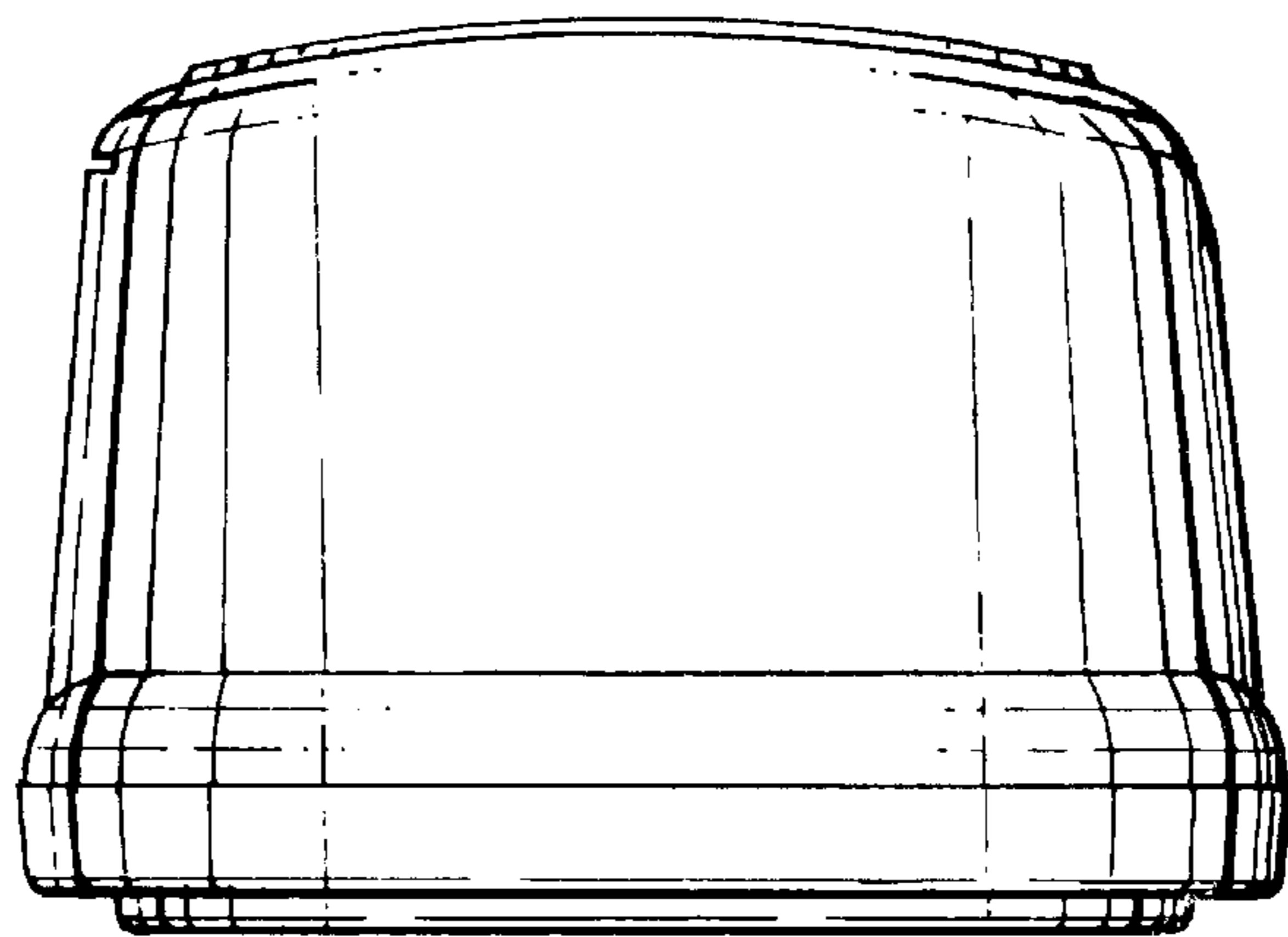


Fig.5.

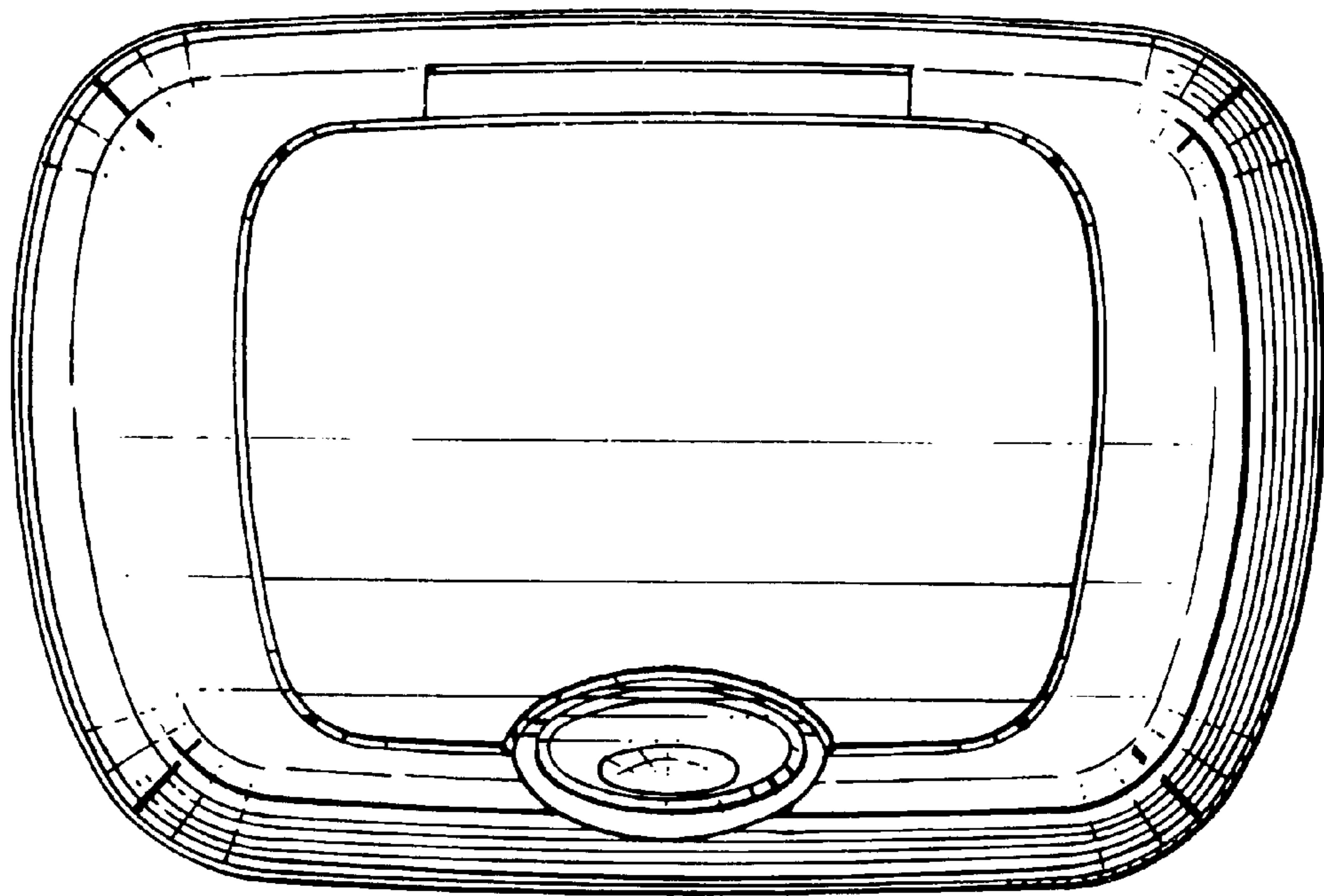


Fig.6.

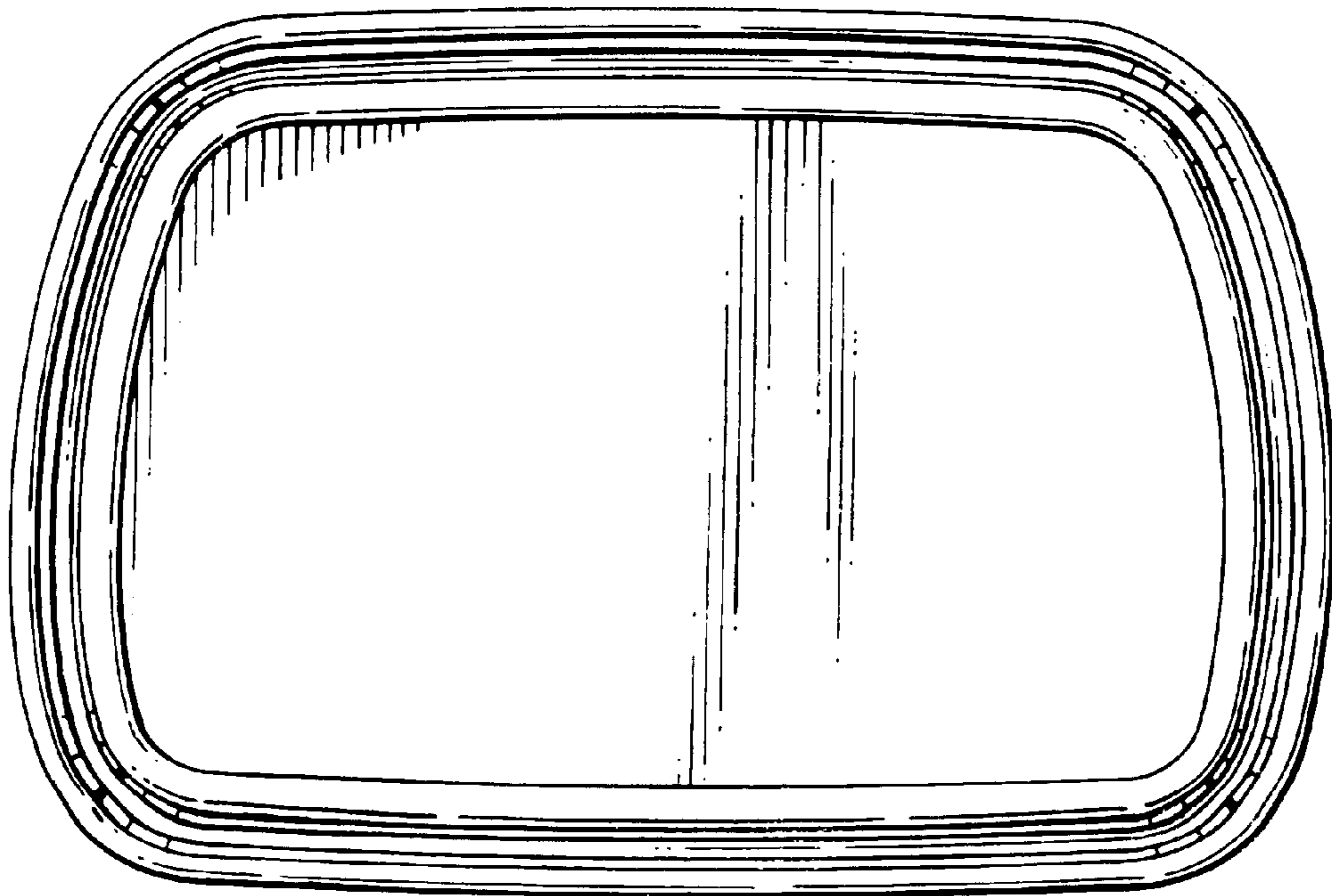


Fig.7.

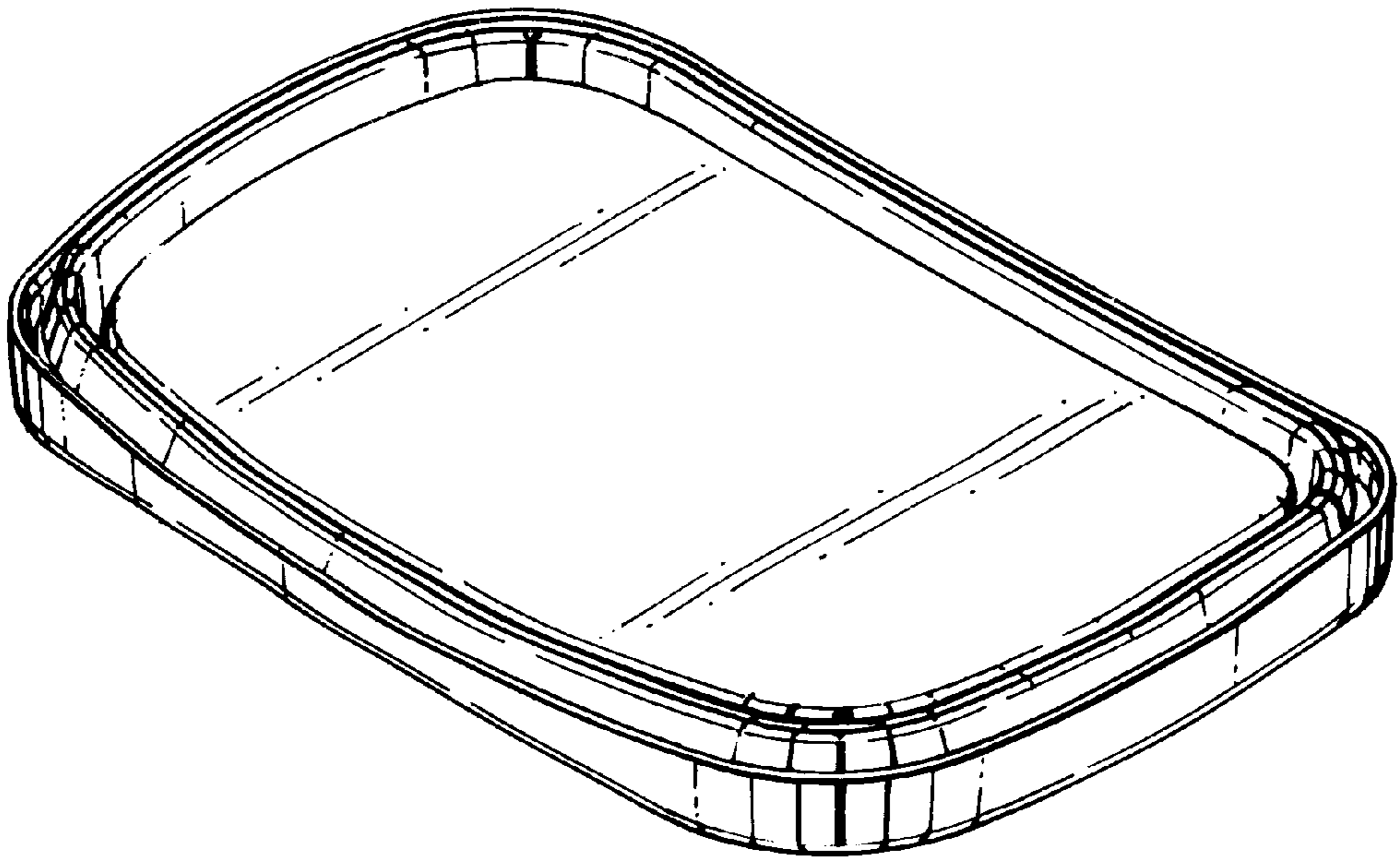


Fig.8.

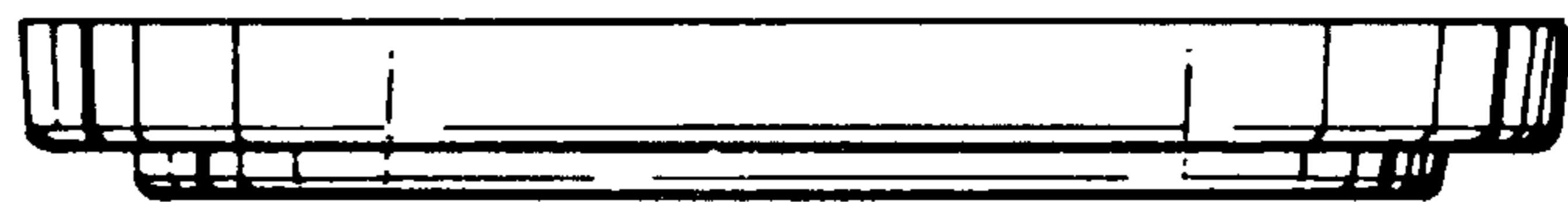


Fig.9.

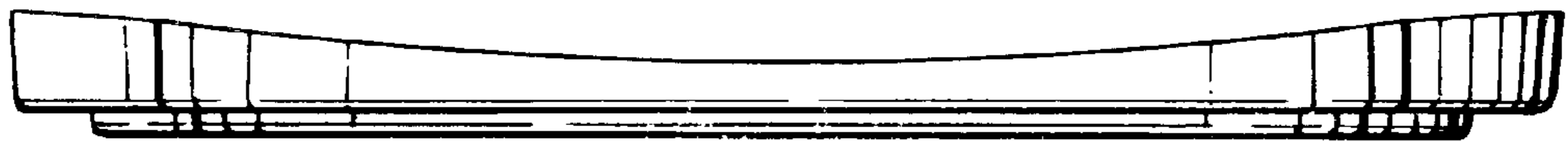


Fig.10.

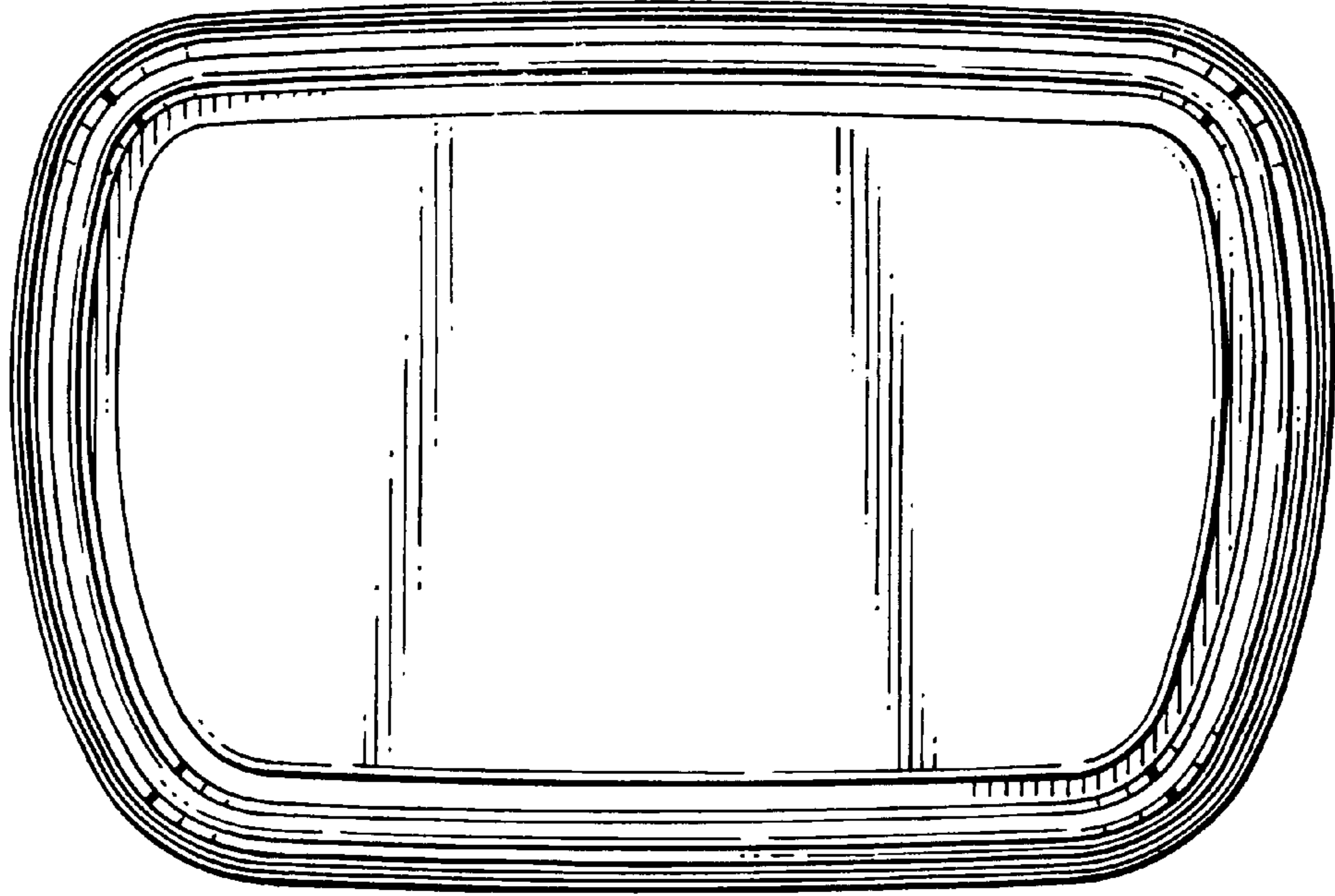


Fig.11.

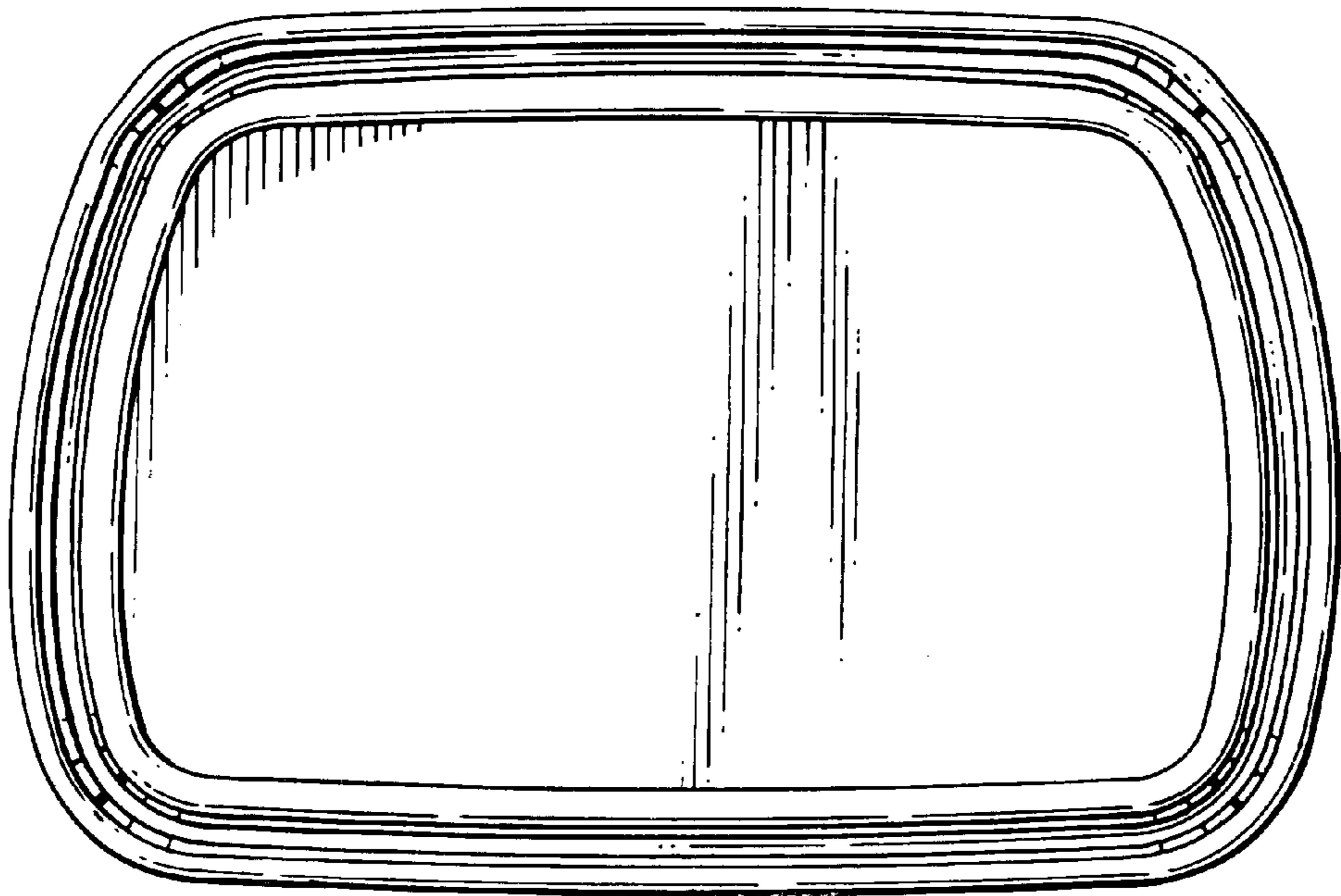


Fig.12.