



US00D471435S

(12) **United States Design Patent**  
**Krisel et al.**

(10) **Patent No.:** **US D471,435 S**

(45) **Date of Patent:** **\*\* Mar. 11, 2003**

(54) **LOW PROFILE CABLE TIE**

(75) Inventors: **Robert J. Krisel**, Oak Forest, IL (US);  
**James A. Brownlee**, Park Forest, IL (US)

(73) Assignee: **Panduit Corp.**, Tinley Park, IL (US)

(\*\*) Term: **14 Years**

(21) Appl. No.: **29/141,933**

(22) Filed: **Jul. 13, 2001**

(51) **LOC (7) Cl.** ..... **08-08**

(52) **U.S. Cl.** ..... **D8/396**

(58) **Field of Search** ..... D8/382, 383, 354,  
D8/396; 24/16 R, 17 A, 17 AP, 16 PB,  
30.5 R, 30.5 P, 302, 339, 115 R, 114.5,  
265 R, 265 CD, DIG. 16; 248/74.2, 74.3

(56) **References Cited**

**U.S. PATENT DOCUMENTS**

3,186,047 A	6/1965	Schwester et al.	
3,408,699 A	11/1968	Reynolds	
3,457,598 A	7/1969	Mariani	
3,486,200 A	12/1969	Orenick	
3,488,813 A	1/1970	Kohke	
3,490,104 A	1/1970	Kabel	
3,568,262 A *	3/1971	Woldman	248/74.3
4,236,280 A *	12/1980	Kreiseder	24/16 PB
4,875,647 A	10/1989	Takagi et al.	
5,193,251 A	3/1993	Fortsch	
5,263,231 A *	11/1993	Sorensen et al.	24/17 AP
5,317,787 A	6/1994	Fortsch	
5,517,727 A	5/1996	Bernard et al.	

5,517,728 A	5/1996	Woods
D372,665 S	8/1996	Kim
5,630,252 A	5/1997	Wells
5,774,944 A	7/1998	Choi
5,781,975 A	7/1998	Wells, Jr. et al.
5,815,891 A	10/1998	Students et al.
5,890,265 A	4/1999	Christian et al.
6,076,234 A	6/2000	Khokhar et al.

\* cited by examiner

*Primary Examiner*—Louis S. Zarfaz

*Assistant Examiner*—Deanne Levy

(74) *Attorney, Agent, or Firm*—Robert A. McCann; Jay A. Saltzman; Christopher S. Clancy

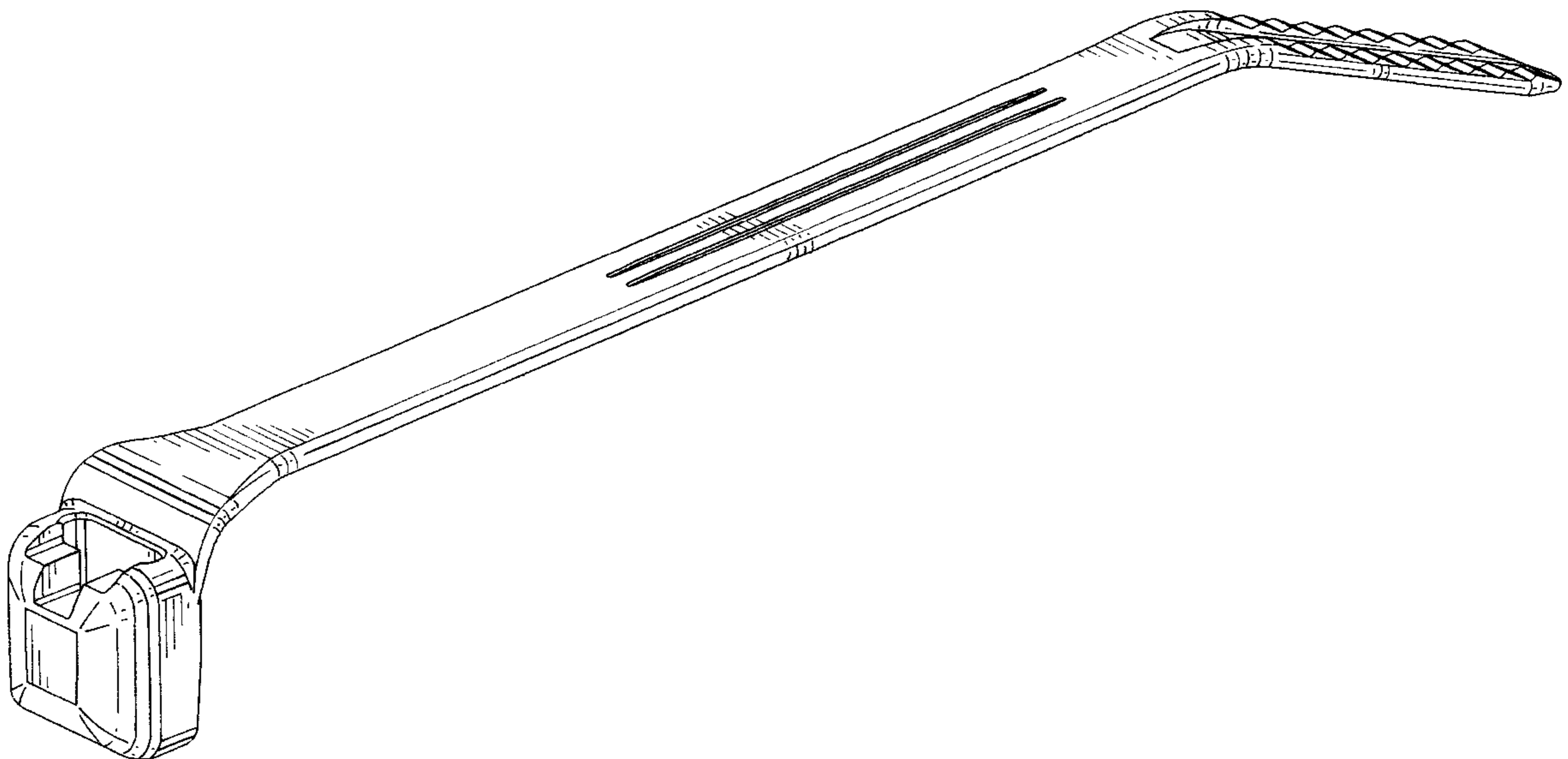
(57) **CLAIM**

The ornamental design for a low profile cable tie, as shown and described.

**DESCRIPTION**

FIG. 1 is a top left perspective view of a low profile cable tie showing our new design;  
 FIG. 2 is a bottom left perspective view of the cable tie of FIG. 1;  
 FIG. 3 is a top right perspective view of the cable tie of FIG. 1;  
 FIG. 4 is a top view of the cable tie of FIG. 1;  
 FIG. 5 is a left side view of the cable tie of FIG. 1;  
 FIG. 6 is a bottom view of the cable tie of FIG. 1;  
 FIG. 7 is a right side view of the cable tie of FIG. 1;  
 FIG. 8 is a front view of the cable tie of FIG. 1; and,  
 FIG. 9 is a rear view of the cable tie of FIG. 1.

**1 Claim, 3 Drawing Sheets**



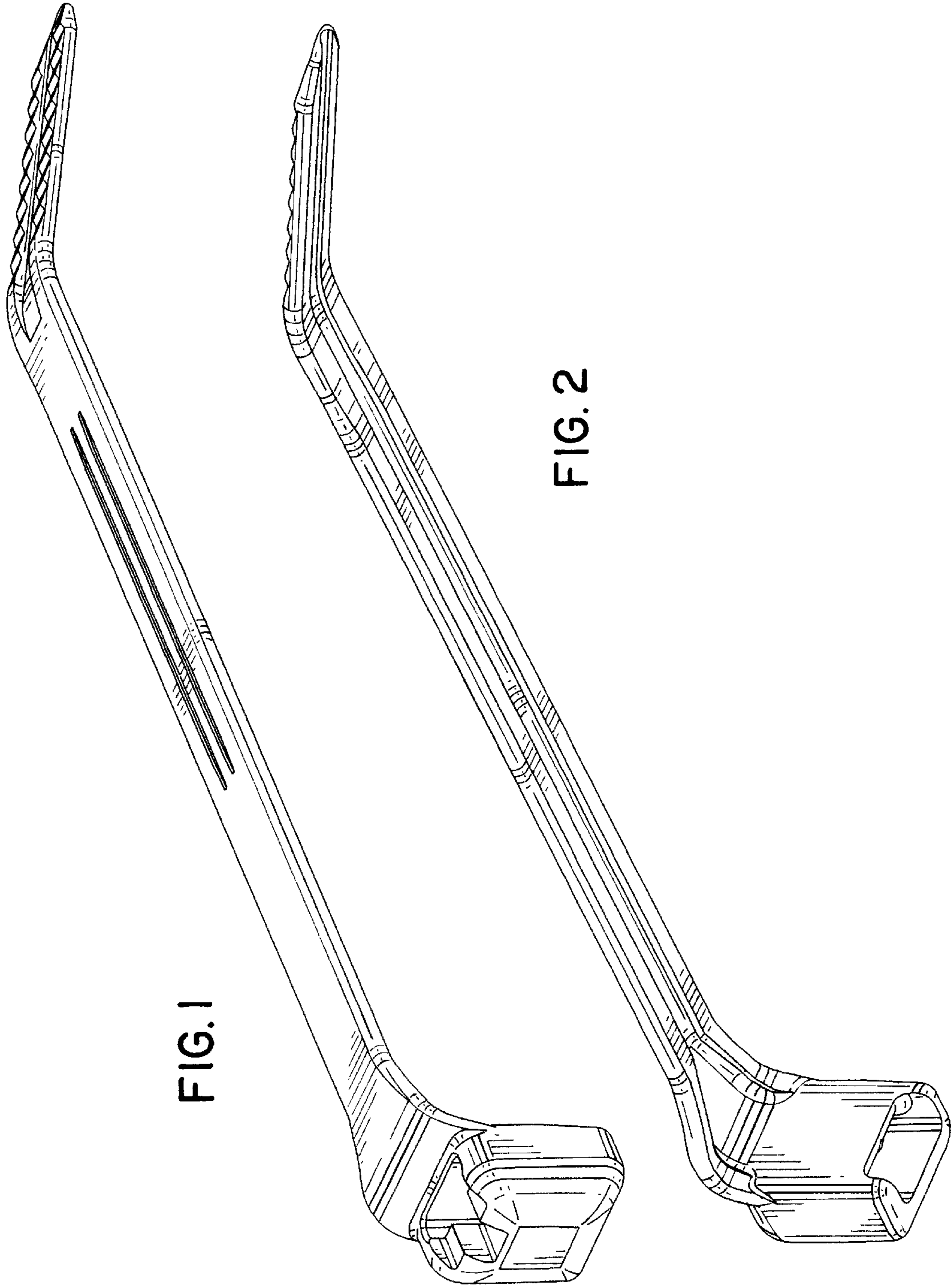
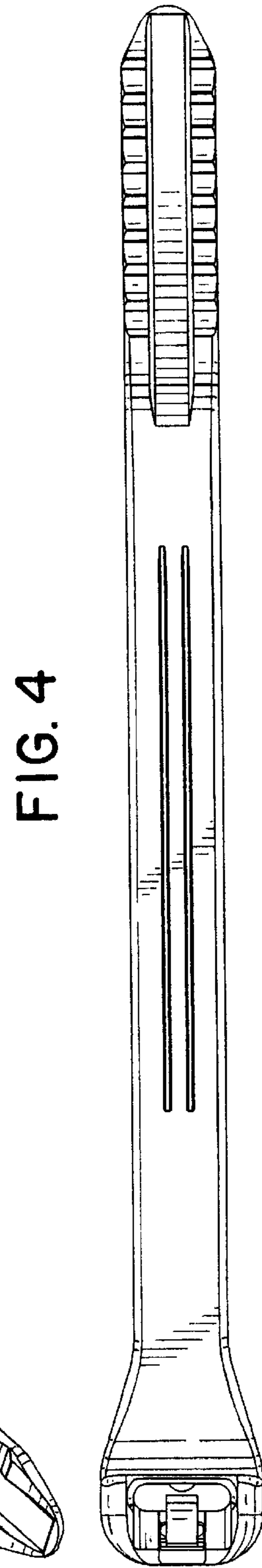
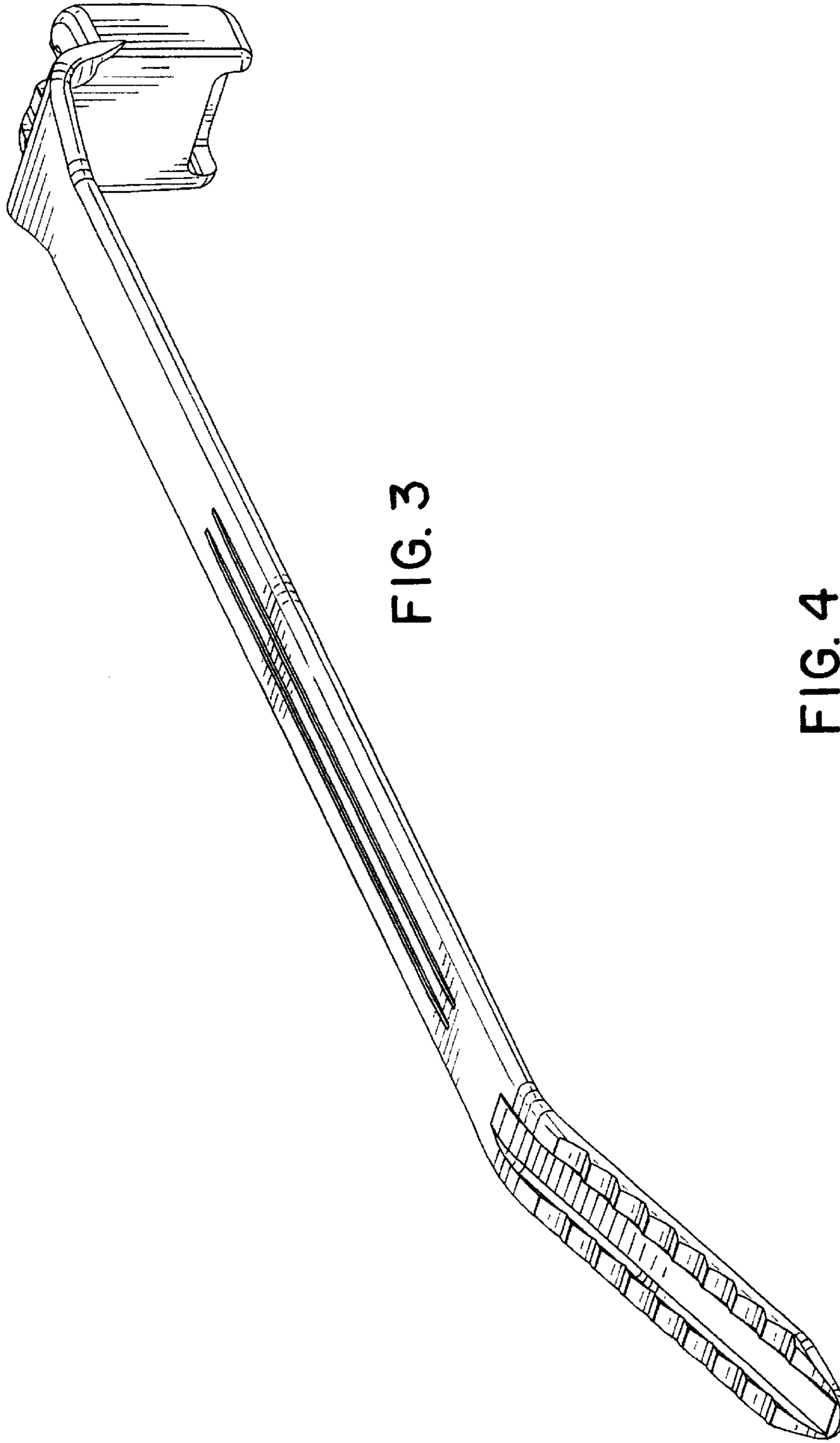


FIG. 1

FIG. 2



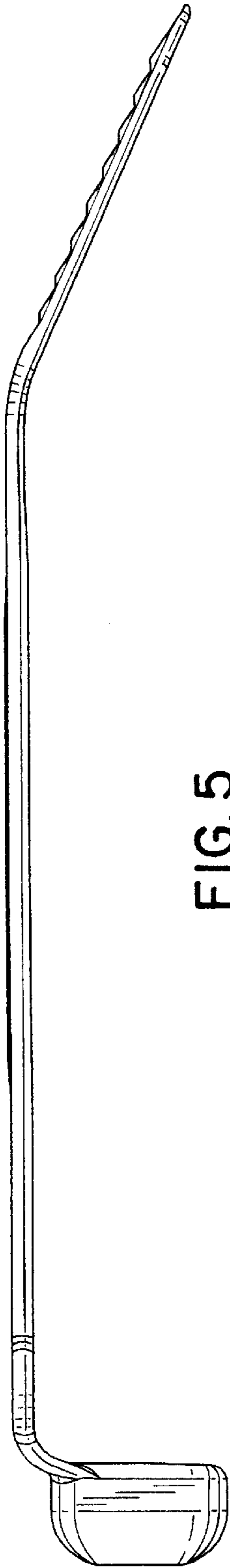


FIG. 5

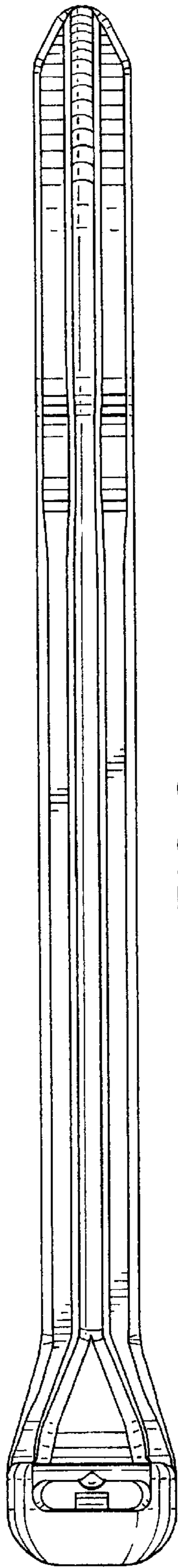


FIG. 6

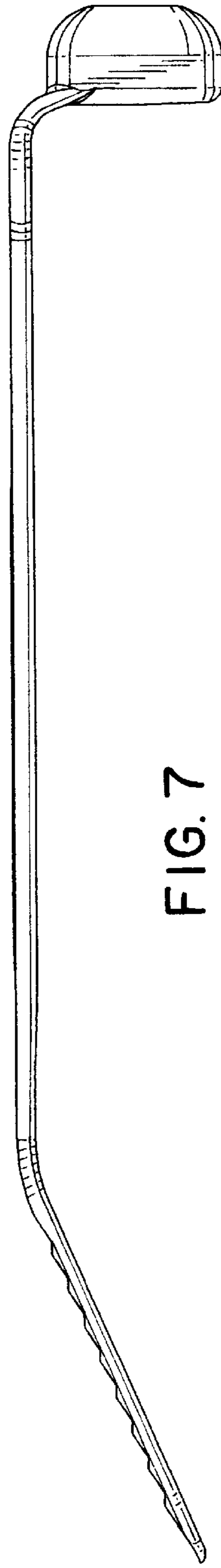


FIG. 7

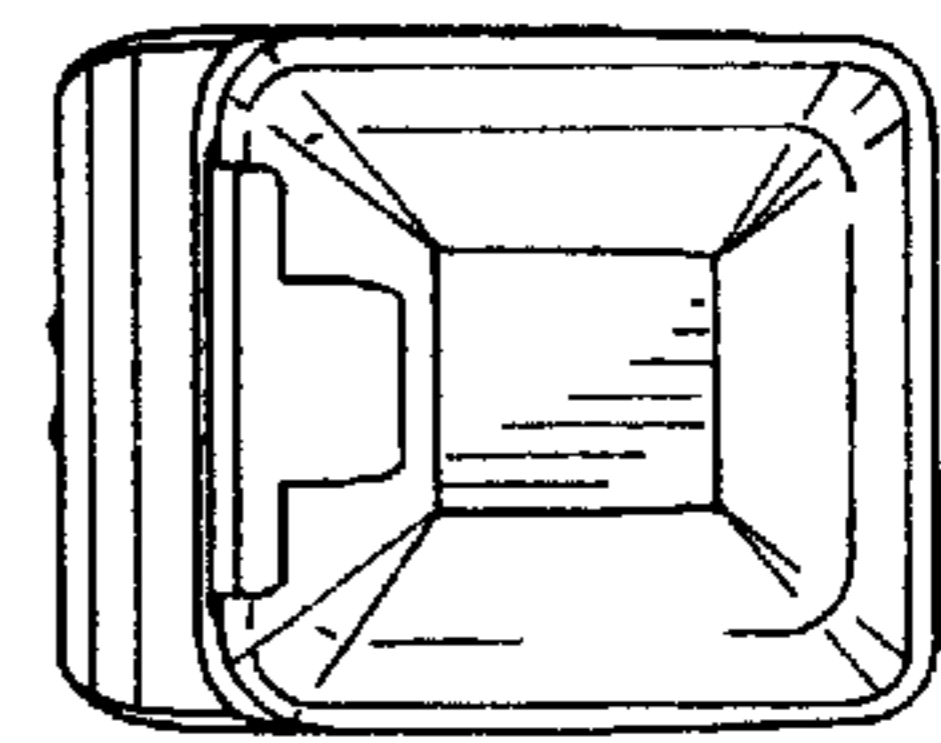


FIG. 8

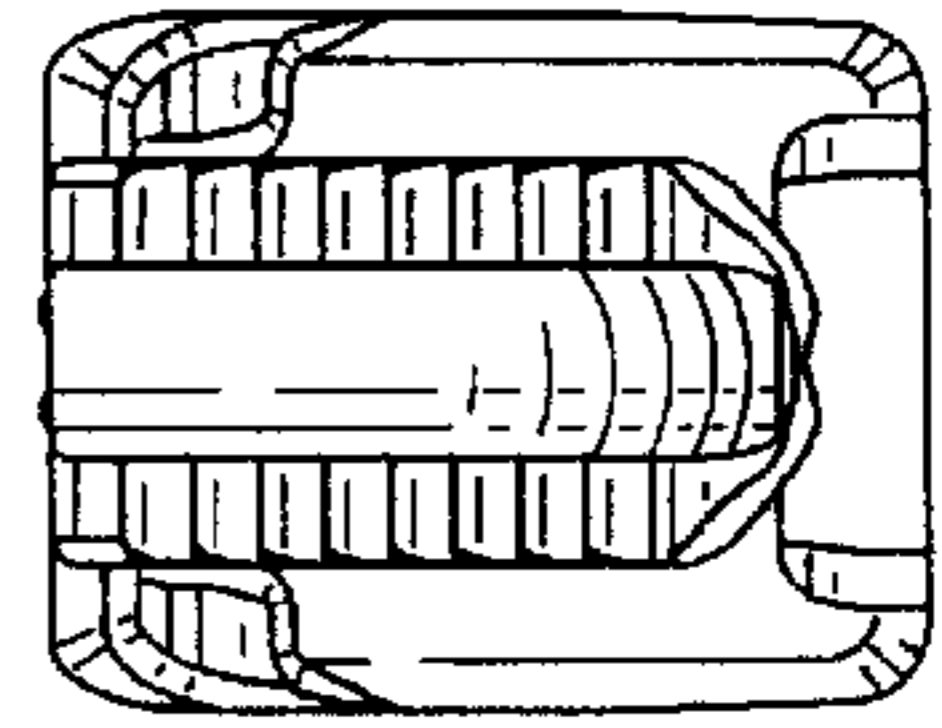


FIG. 9



UNITED STATES PATENT AND TRADEMARK OFFICE  
**CERTIFICATE OF CORRECTION**

PATENT NO. : Des. 471,435 S  
DATED : March 11, 2003  
INVENTOR(S) : Krisel et al.

Page 1 of 1

It is certified that error appears in the above-identified patent and that said Letters Patent is hereby corrected as shown below:

Title page,

Item [21], Appl. No.: The correct filing date is -- **May 15, 2001** --.

Signed and Sealed this

Twenty-fourth Day of February, 2004

A handwritten signature in black ink that reads "Jon W. Dudas". The signature is written in a cursive style with a large, looping initial "J".

JON W. DUDAS

*Acting Director of the United States Patent and Trademark Office*