



US00D471431S

(12) **United States Design Patent**  
**Valiulis et al.**

(10) **Patent No.:** **US D471,431 S**

(45) **Date of Patent:** **\*\* Mar. 11, 2003**

(54) **DISPLAY HOOK BACK FOR PEGBOARD**

(75) Inventors: **Stanley C. Valiulis**, Rockford, IL (US);  
**Craig Zadak**, Rockford, IL (US)

(73) Assignee: **Southern Imperial, Inc.**, Rockford, IL (US)

(\*\*) Term: **14 Years**

(21) Appl. No.: **29/153,126**

(22) Filed: **Oct. 29, 2001**

(51) **LOC (7) Cl.** ..... **08-08**

(52) **U.S. Cl.** ..... **D8/349**

(58) **Field of Search** ..... D8/349, 354, 356,  
D8/366, 371; 211/94.02; 248/27.3, 68.1,  
71, 73, 74.2, 200, 220.21, 220.22, 220.31,  
220.41, 220.42, 221.11, 222.11, 300, 316.1,  
316.2, 316.7, 500, 231.81; D6/553, 572

(56) **References Cited**

**U.S. PATENT DOCUMENTS**

3,193,231 A	7/1965	Curry	
3,216,584 A	11/1965	Sedo	
3,250,235 A *	5/1966	McDonnell	248/220.42
3,489,382 A *	1/1970	Larson	248/220.42
3,591,117 A	7/1971	Mazzetti	
3,601,432 A	8/1971	Fenwick	
3,640,497 A	2/1972	Waki	
3,908,949 A	9/1975	Larson	
4,113,109 A *	9/1978	Donnelli et al.	248/220.42
4,303,217 A	12/1981	Garfinkle	

4,304,382 A	12/1981	Jelen	
4,352,478 A *	10/1982	Loew	248/220.31
4,387,872 A	6/1983	Hogue	
4,441,619 A	4/1984	Gibitz	
4,619,428 A	10/1986	Bailey	
4,671,002 A *	6/1987	Fast	40/655
5,407,160 A	4/1995	Hollingsworth et al.	
5,531,415 A	7/1996	Kallemeyn	
5,607,132 A	3/1997	Baldwin	
5,871,115 A *	2/1999	Kohn	220/485
6,266,250 B1	7/2001	Foye	
6,378,828 B1 *	4/2002	Valiulis et al.	248/231.81

\* cited by examiner

*Primary Examiner*—Doris V. Coles

*Assistant Examiner*—Elizabeth Albert

(74) *Attorney, Agent, or Firm*—Leydig, Voit & Mayer, Ltd.

(57) **CLAIM**

The ornamental design for the display hook back for pegboard, as shown and described.

**DESCRIPTION**

FIG. 1 is a perspective view of the display hook back for pegboard taken from the front;  
FIG. 2 is a perspective view of FIG. 1 taken from the rear;  
FIG. 3 is a top view of FIGS. 1 and 2;  
FIG. 4 is a front view of FIGS. 1 and 2;  
FIG. 5 is a bottom view of FIGS. 1 and 2;  
FIG. 6 is a side view of FIG. 1, taken from the left; and,  
FIG. 7 is a side view of FIG. 1, taken from the right.

**1 Claim, 3 Drawing Sheets**

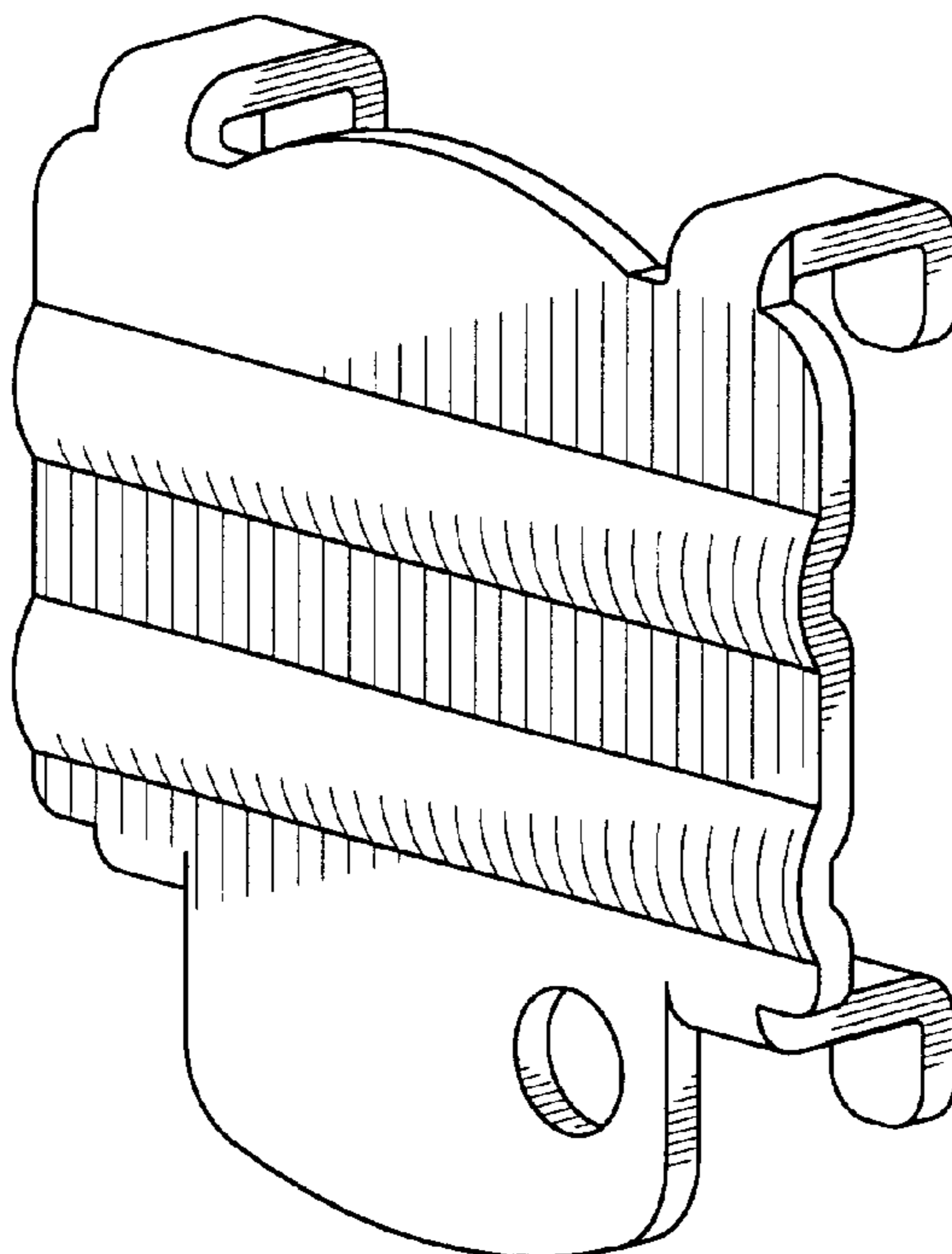


FIG. 1

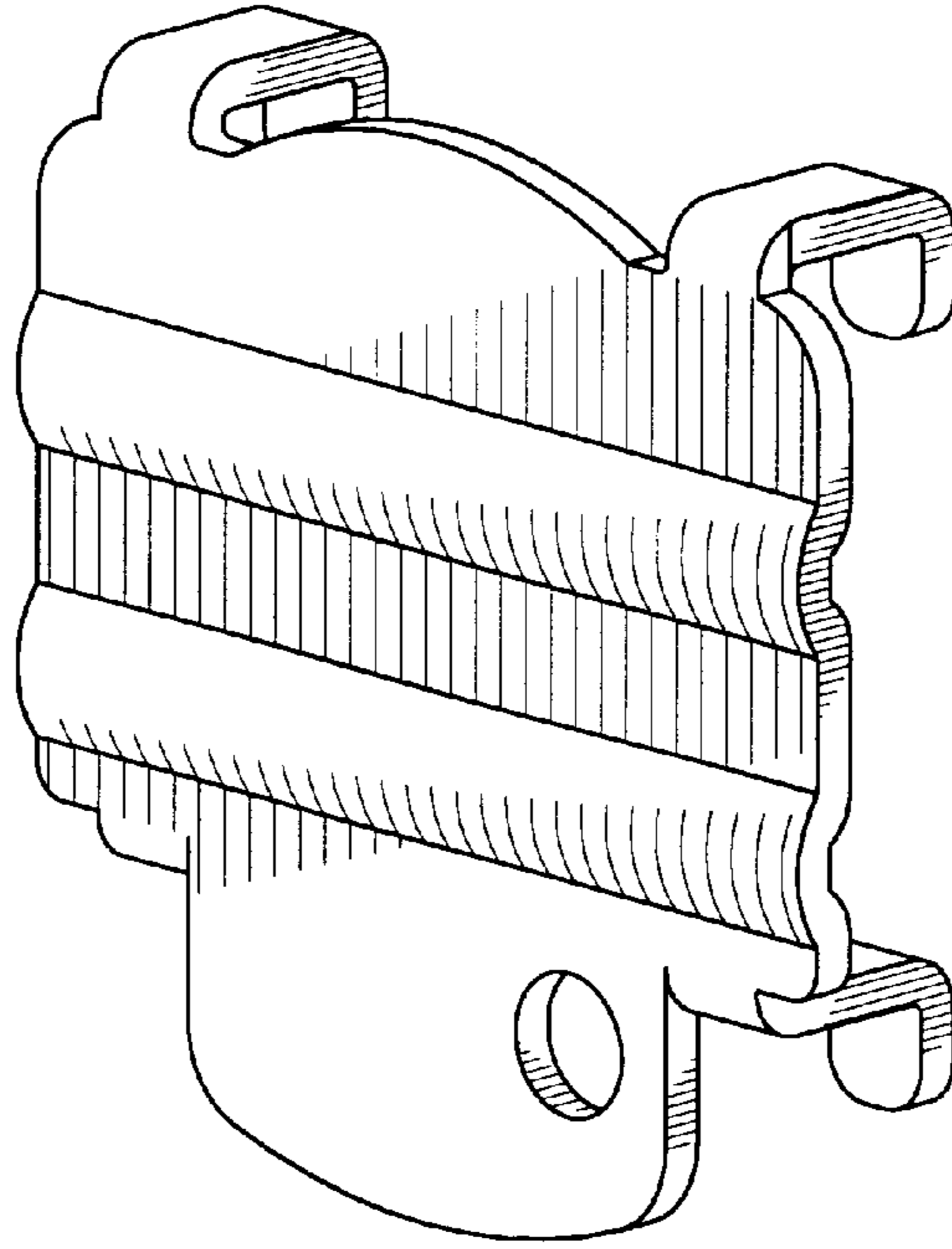


FIG. 2

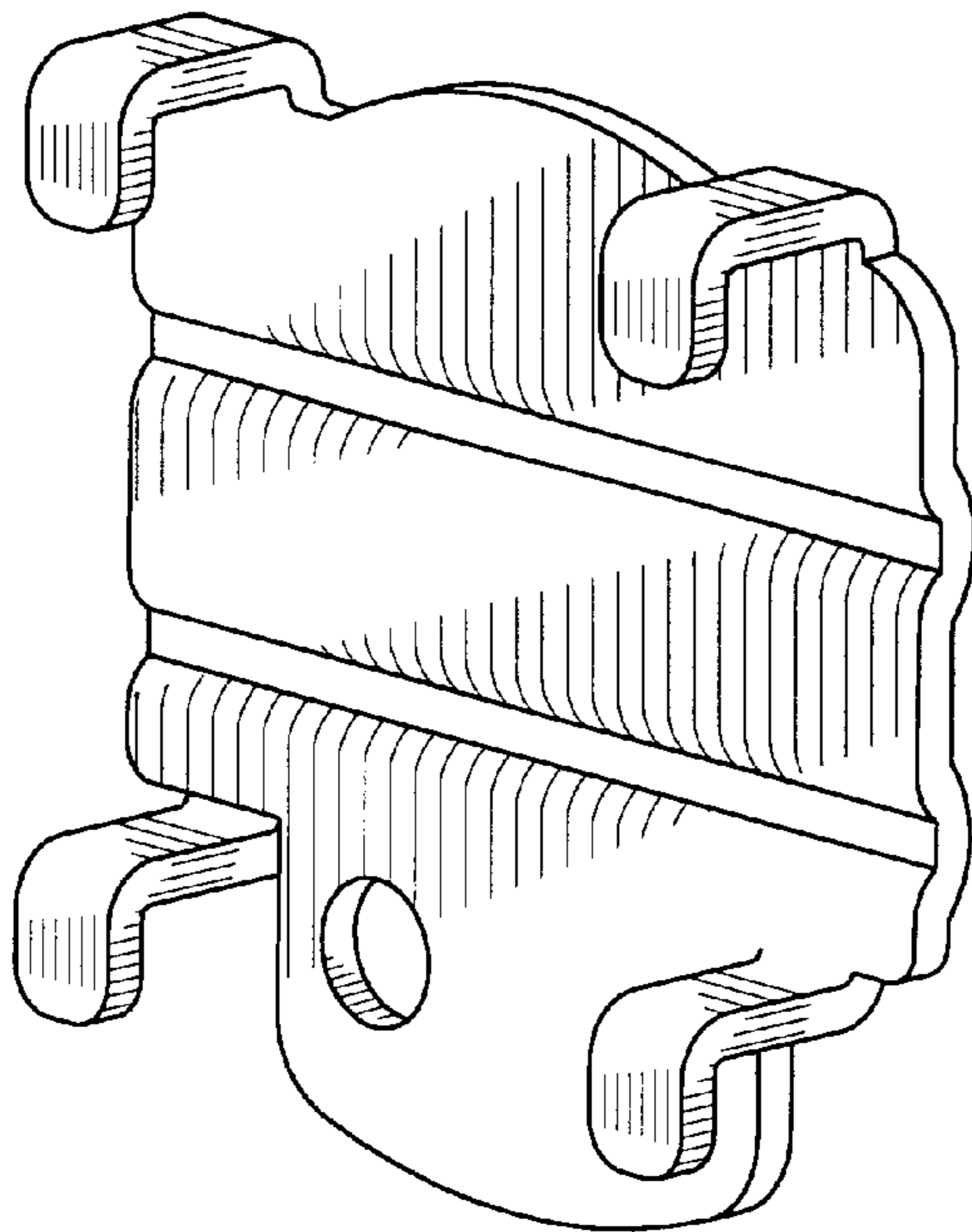


FIG. 3

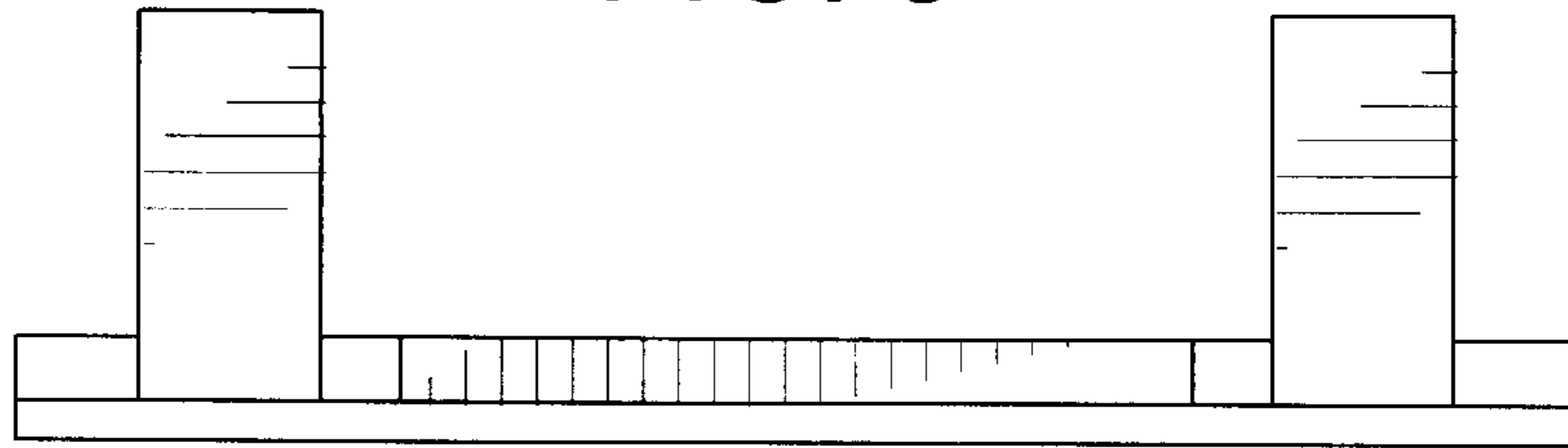


FIG. 4

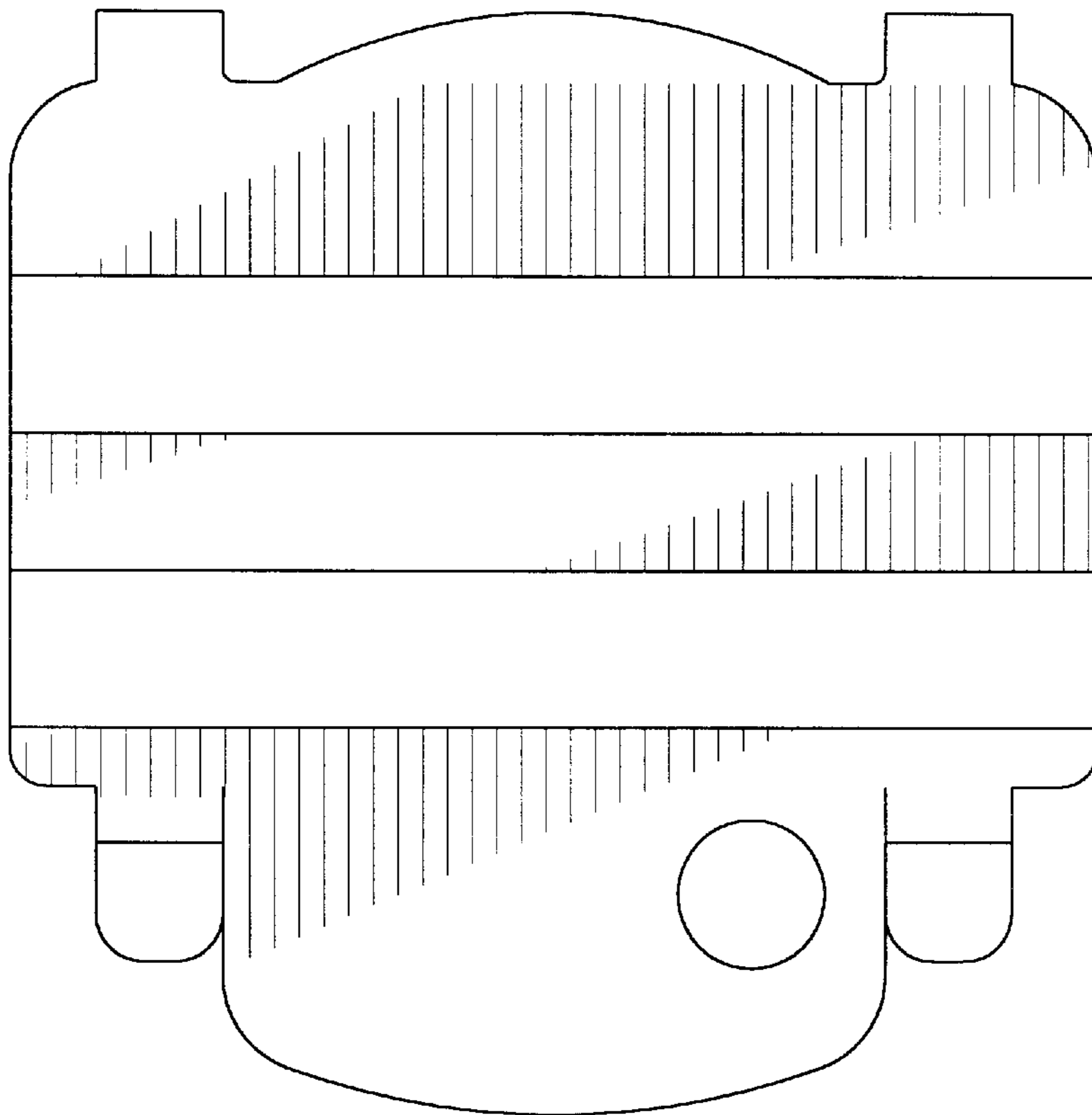


FIG. 5

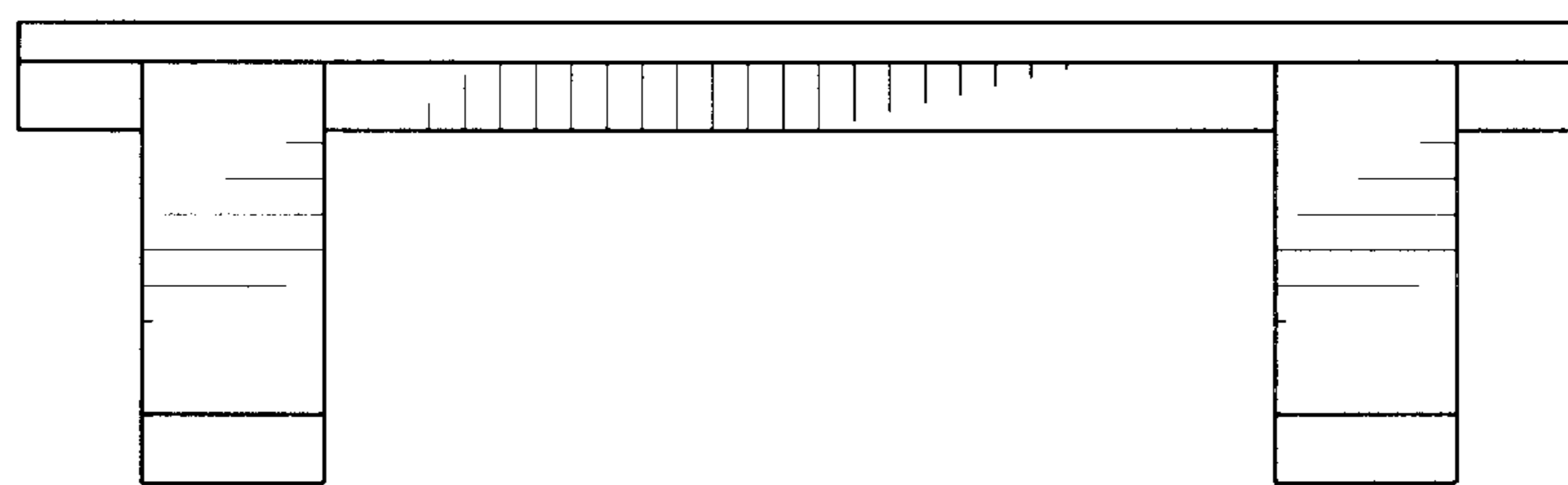


FIG. 6

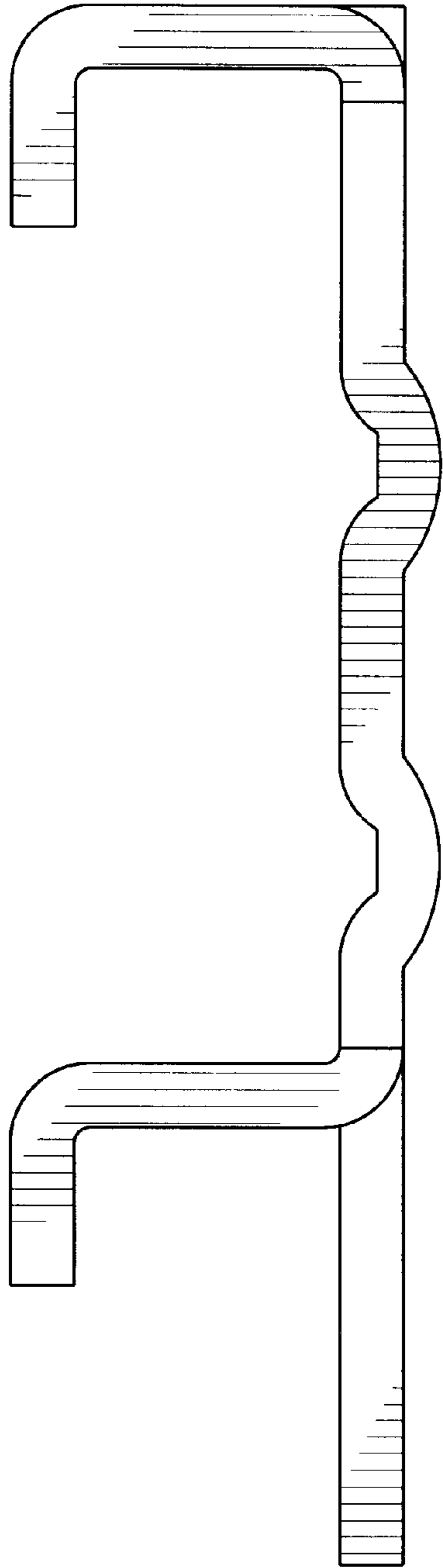


FIG. 7

