



US00D471428S

(12) **United States Design Patent**
Mirick

(10) **Patent No.:** **US D471,428 S**

(45) **Date of Patent:** **** Mar. 11, 2003**

(54) **SLOTTED ARROW QUARTER TURN LATCH**

(75) **Inventor:** **Larry Mirick**, Manhattan Beach, CA (US)

(73) **Assignee:** **S.P.E.P. Acquisition Corp.**, Rancho Dominguez, CA (US)

(**) **Term:** **14 Years**

(21) **Appl. No.:** **29/151,739**

(22) **Filed:** **Dec. 4, 2001**

(51) **LOC (7) Cl.** **08-07**

(52) **U.S. Cl.** **D8/331**

(58) **Field of Search** D8/330, 331, 338,
D8/341, 343; 292/137, 163, 169, 219, DIG. 37;
70/344, 370, 391, 454

(56) **References Cited**

U.S. PATENT DOCUMENTS

D312,769 S	*	12/1990	Bisbing	D8/338
4,978,152 A	*	12/1990	Bisbing	292/169
5,251,467 A	*	10/1993	Anderson	70/370
D361,501 S	*	8/1995	Myers	D8/331
D410,190 S	*	5/1999	Freck	D8/331
6,113,160 A	*	9/2000	Johansson et al.	292/169
D435,427 S	*	12/2000	Sokurenko	D8/331

OTHER PUBLICATIONS

Quad™ Panel Latch, SOUTHCO Latches and Access Hardware, North American Edition—48 NA, ISO 9001 Quality System, 1998, pp. F13–F16.
Screw-in Quarter Turn (IP 65), B010; Clip-In Quarter Turn, B210; Quarter-Turn (plastic) Clip-In Type, B215, EMKA, Inc., Harrisburg, PA, 1993, 4 pages.

* cited by examiner

Primary Examiner—Brian N. Vinson

(74) *Attorney, Agent, or Firm*—Christie, Parker & Hale, LLP

(57) **CLAIM**

The ornamental design for slotted arrow quarter turn latch, as shown and described.

DESCRIPTION

FIG. 1 is a top right perspective view of the slotted arrow quarter turn latch of the invention;
FIG. 2 is a top plan view of the slotted arrow quarter turn latch of FIG. 1.
FIG. 3 is a bottom plan view of the slotted arrow quarter turn latch of FIG. 1; and,
FIG. 4 is a right side view of the slotted arrow quarter turn latch of FIG. 1, the left side view being a mirror image thereof.

1 Claim, 4 Drawing Sheets

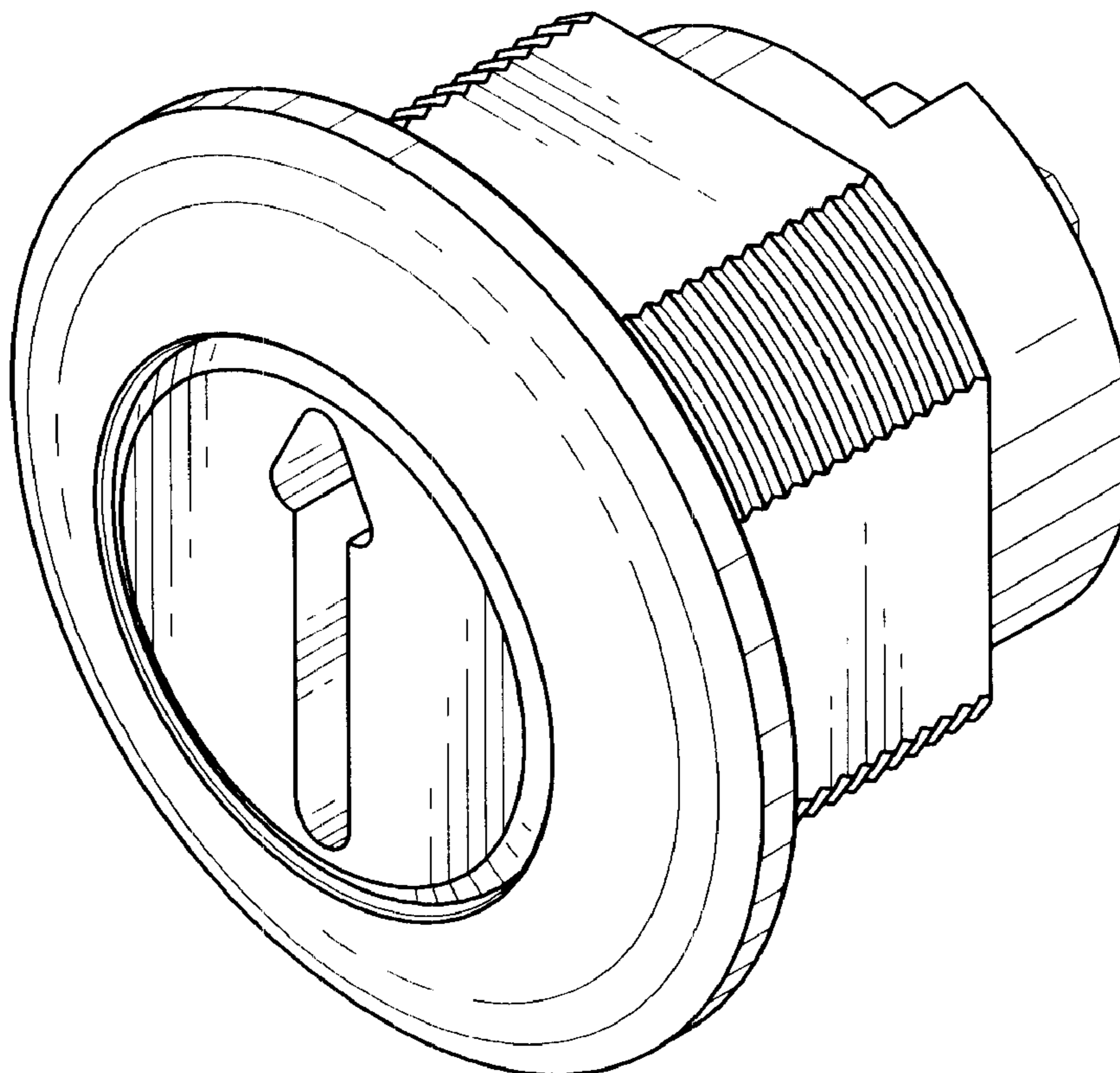


FIG. 1

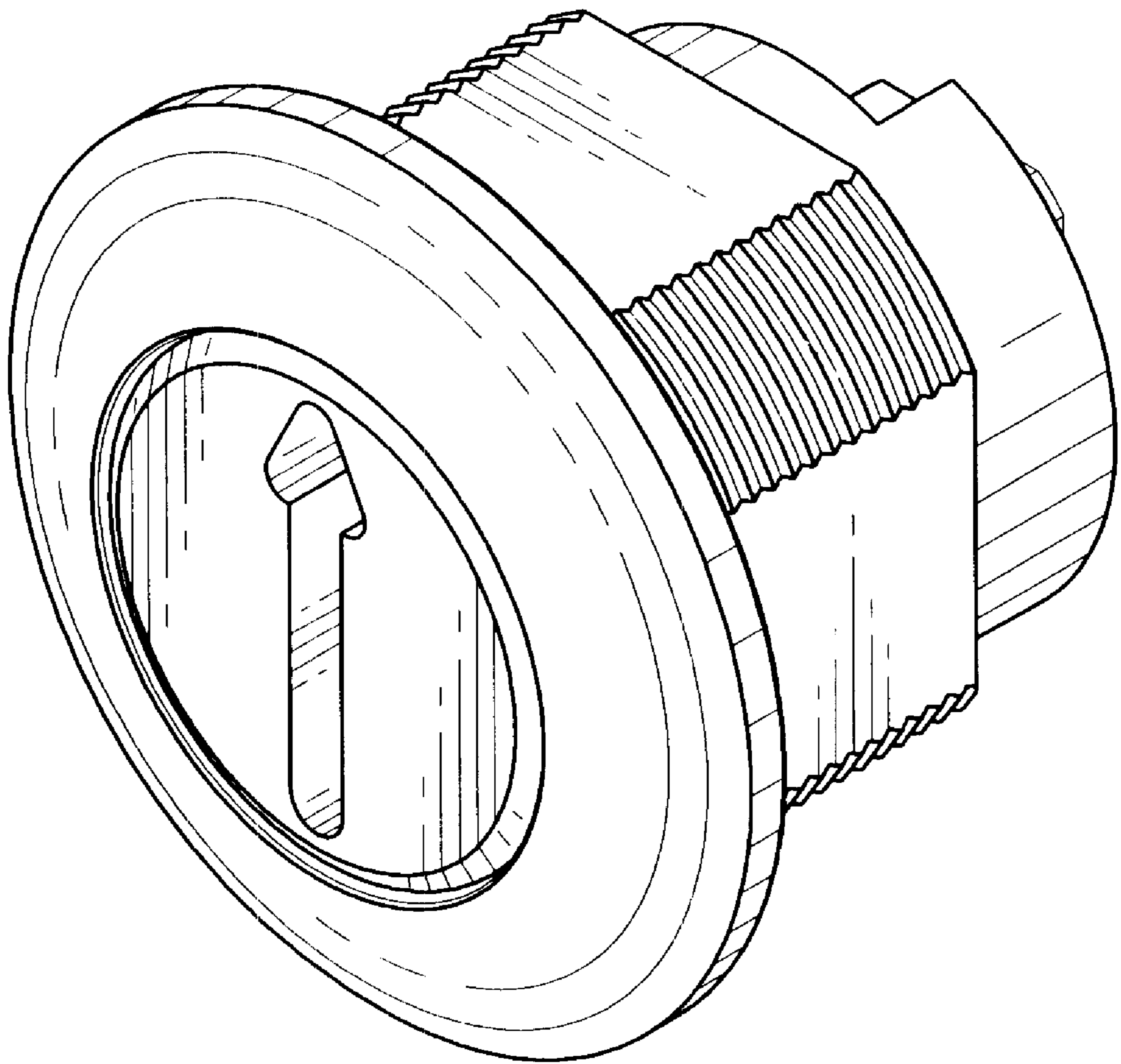


FIG. 2

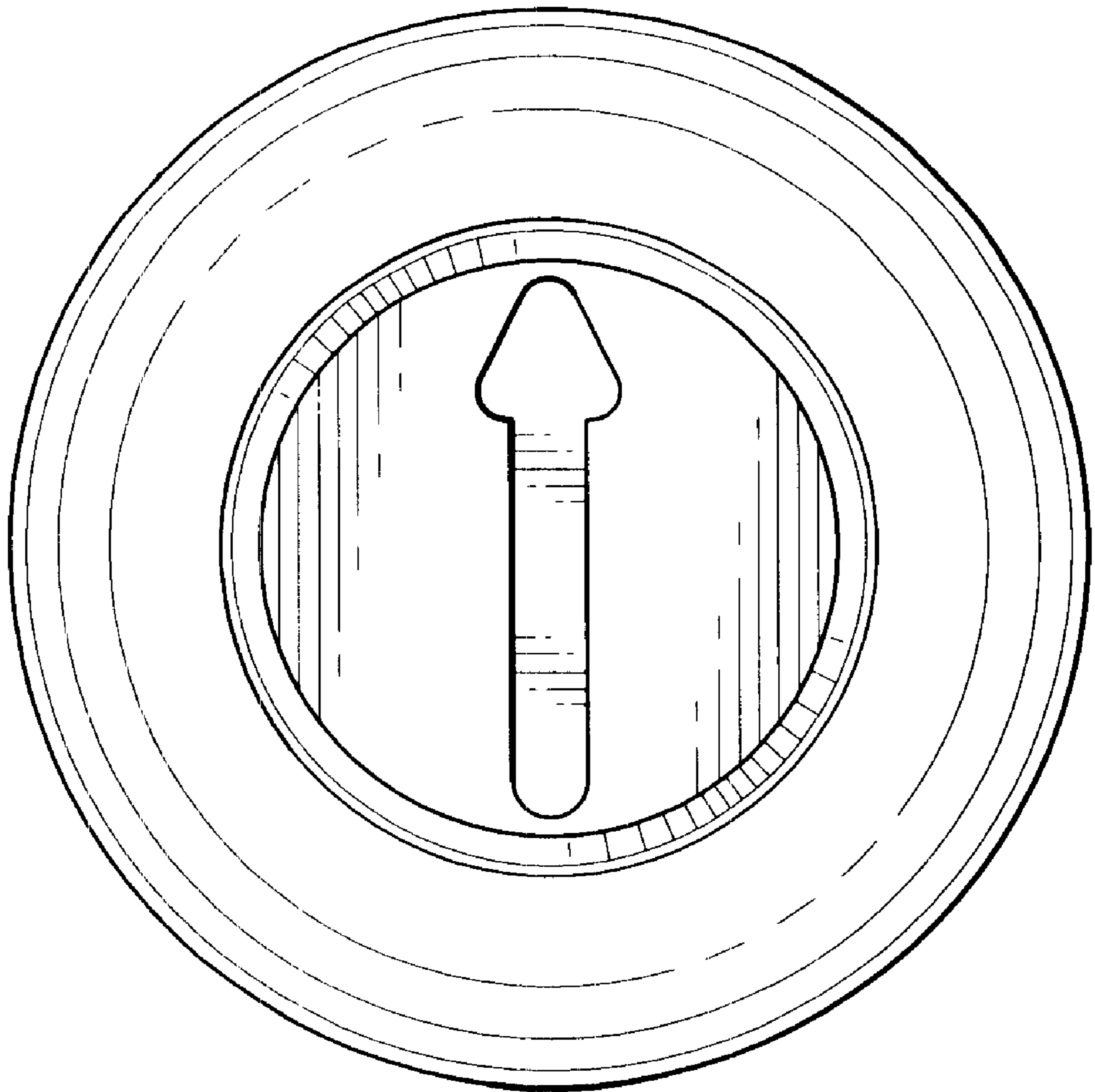


FIG. 3

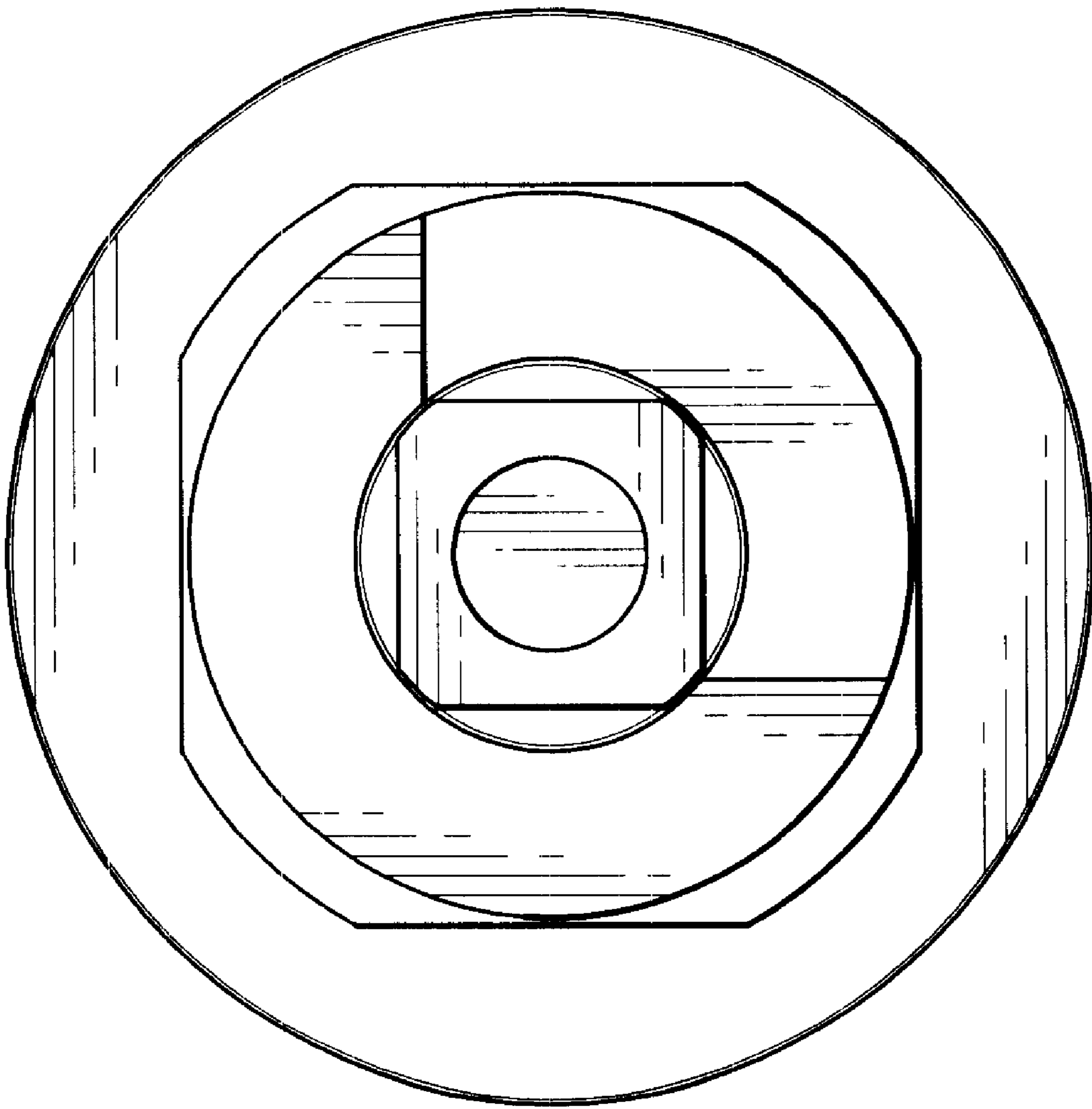


FIG. 4

