



US00D471427S

(12) **United States Design Patent**  
**Weinerman et al.**

(10) **Patent No.:** **US D471,427 S**

(45) **Date of Patent:** **\*\* Mar. 11, 2003**

(54) **LINKAGE ASSEMBLY FOR USE WITH PUSH  
BUTTON LATCH AND LOCK OPERATING  
ASSEMBLIES**

(75) **Inventors:** **Lee S. Weinerman**, Medina, OH (US);  
**Arthur J. Kuminski**, Parma, OH (US);  
**Scott A. Arthurs**, Brunswick, OH (US)

(73) **Assignee:** **The Eastern Company**, Cleveland, OH  
(US)

(\*\*) **Term:** **14 Years**

1,058,346 A	4/1913	Berstler	292/21
1,174,652 A	3/1916	Banks	292/36
1,368,141 A	2/1921	Hagstrom	292/34
1,531,605 A	3/1925	Gaynor	200/535
1,556,864 A	10/1925	Mendenhall	292/33
1,571,453 A	2/1926	Maxon	292/170
1,672,901 A	6/1928	North	292/227
1,908,980 A	5/1933	Heyel	70/120
1,965,939 A	7/1934	Jacobi	70/29
2,059,479 A	11/1936	North	292/127
2,322,040 A	6/1943	Maruri	70/145
2,683,978 A	7/1954	Jacobi	70/360

(List continued on next page.)

(21) **Appl. No.:** **29/160,445**

(22) **Filed:** **May 10, 2002**

*Primary Examiner*—Brian N. Vinson

(74) *Attorney, Agent, or Firm*—David A. Burge

**Related U.S. Application Data**

(63) Continuation-in-part of application No. 29/159,991, filed on May 2, 2002, now Pat. No. Des. 467,786, and a continuation-in-part of application No. 29/152,851, filed on Dec. 27, 2001, and a continuation-in-part of application No. 29/152,852, filed on Dec. 27, 2001, now Pat. No. Des. 463,247, which is a continuation-in-part of application No. 29/142,044, filed on May 17, 2001, now Pat. No. Des. 464,555, which is a continuation-in-part of application No. 29/131,819, filed on Oct. 27, 2000, now Pat. No. Des. 447,042, which is a continuation-in-part of application No. 29/113,063, filed on Oct. 28, 1999, now Pat. No. Des. 445,015.

(51) **LOC (7) Cl.** ..... **08-07**

(52) **U.S. Cl.** ..... **D8/330; D8/343**

(58) **Field of Search** ..... D8/330, 331, 336,  
D8/343; 292/83, 203, 209, 210, 216, 300,  
309; 285/312

(56) **References Cited**

**U.S. PATENT DOCUMENTS**

113,070 A	3/1871	Loeffelholz et al.	292/34
417,589 A	12/1889	Rose	292/40
480,148 A	8/1892	Theby	292/36
491,824 A	2/1893	Walker	200/61.64
767,567 A	8/1904	Keil	292/127
876,300 A	1/1908	Couret	292/135
925,455 A	6/1909	Campbell	70/81
1,018,077 A	2/1912	Petterson	70/150

(57) **CLAIM**

We claim the ornamental design for linkage assembly for use with push button latch and lock operating assemblies, as shown and described.

**DESCRIPTION**

FIG. 1 is a perspective view showing principally top, front and right features of a linkage assembly for use with push button latch and lock operating assemblies, embodying our new design, with the arms thereof pivoted to an extended position;

FIG. 2 is a top plan view thereof;

FIG. 3 is a front view thereof;

FIG. 4 is a bottom view thereof;

FIG. 5 is a rear view thereof;

FIG. 6 is a right side view thereof;

FIG. 7 is a left side view thereof;

FIG. 8 is a perspective view showing principally top, front and right features of the linkage assembly with the arms thereof pivoted to a retracted position;

FIG. 9 is a top plan view thereof;

FIG. 10 is a front view thereof;

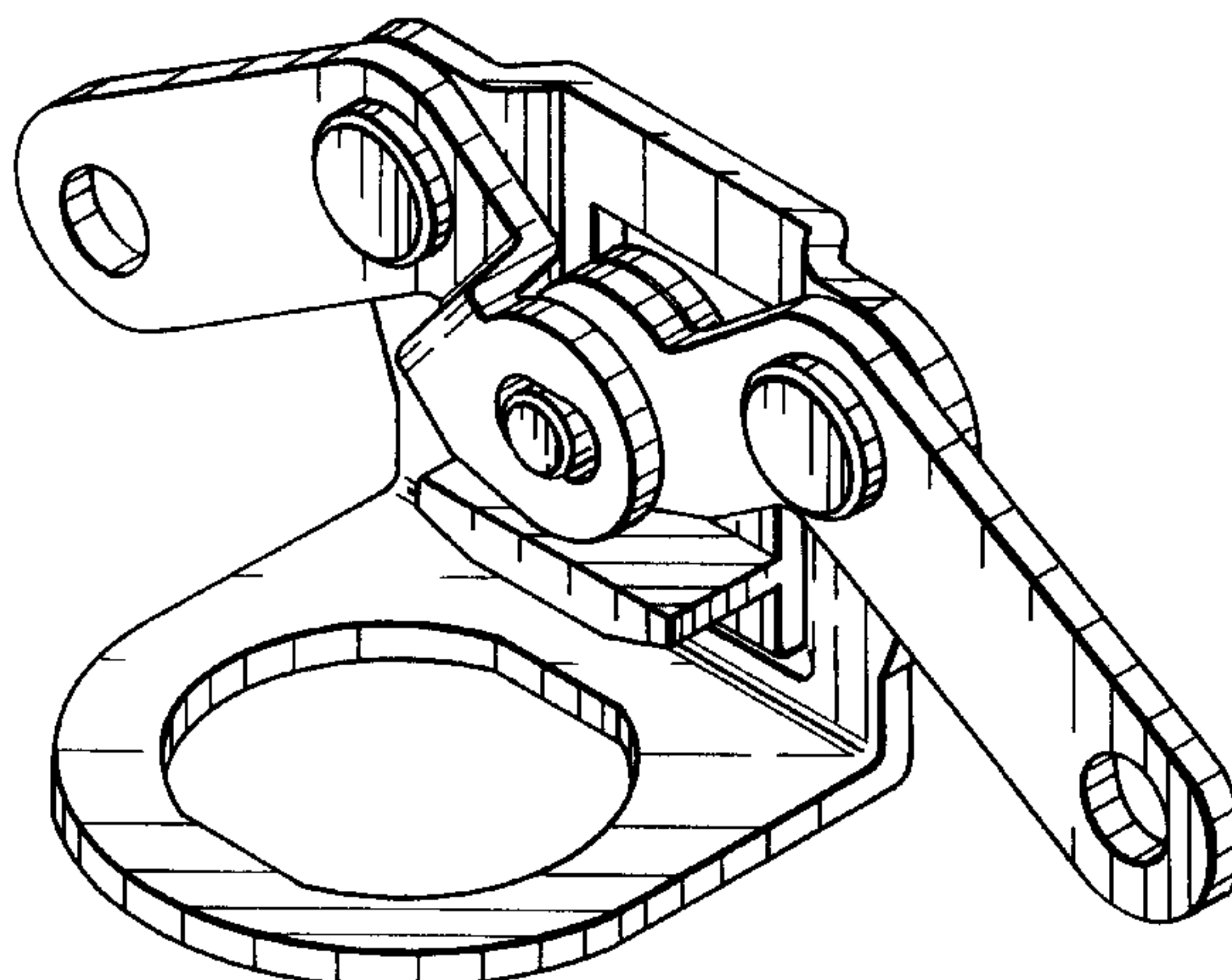
FIG. 11 is a bottom view thereof;

FIG. 12 is a rear view thereof;

FIG. 13 is a right side view thereof; and,

FIG. 14 is a left side view thereof.

**1 Claim, 8 Drawing Sheets**



# US D471,427 S

Page 2

## U.S. PATENT DOCUMENTS

2,705,884 A	4/1955	Craig	70/264	5,308,126 A	5/1994	Weger, Jr. et al.	292/53
2,728,214 A	12/1955	Craig	70/149	5,346,266 A	9/1994	Bisbing	292/64
2,755,519 A	7/1956	Xander	20/52	5,439,260 A	8/1995	Weinerman et al.	292/48
2,772,908 A	12/1956	Craig	292/280	5,526,660 A	6/1996	Bennett et al.	70/208
2,911,247 A	11/1959	Corbin	292/48	D371,300 S	7/1996	Mordick	D8/343
2,987,907 A	6/1961	Cockburn et al.	70/135	5,564,295 A	10/1996	Weinerman et al.	70/208
3,054,634 A	9/1962	Westerdale	292/336.3	5,586,458 A	12/1996	Weinerman et al.	70/208
3,545,799 A	12/1970	Gertsfeld	292/34	5,595,076 A	1/1997	Weinerman et al.	70/208
3,602,017 A	8/1971	Bauer	70/78	5,611,224 A	3/1997	Weinerman et al.	70/208
3,834,780 A	9/1974	McClellan et al.	312/219	5,816,630 A	10/1998	Bennett et al.	292/341.17
3,964,280 A	6/1976	Kelton	70/84	5,884,948 A	3/1999	Weinerman et al.	292/216
4,059,296 A	11/1977	Panourgias	285/312	5,984,383 A	11/1999	Parikh et al.	292/121
4,488,669 A	12/1984	Waters	224/273	6,012,747 A	1/2000	Takamura et al.	292/216
4,601,499 A	7/1986	Kim	292/36	D429,141 S	8/2000	Antonucci et al.	D8/331
4,892,338 A	1/1990	Weinerman et al.	292/35	6,113,160 A	9/2000	Johansson et al.	292/169
4,978,152 A	12/1990	Bisbing	292/169	D432,389 S	10/2000	Johansson et al.	D8/331
D313,337 S	1/1991	Haskell	D8/336	6,231,091 B1	5/2001	Gleason et al.	292/34
5,042,853 A	8/1991	Gleason et al.	292/126	D447,042 S	8/2001	Weinerman et al.	D8/330
D324,635 S	3/1992	Weinerman et al.	D8/331	6,349,577 B1	2/2002	Hansen et al.	70/159

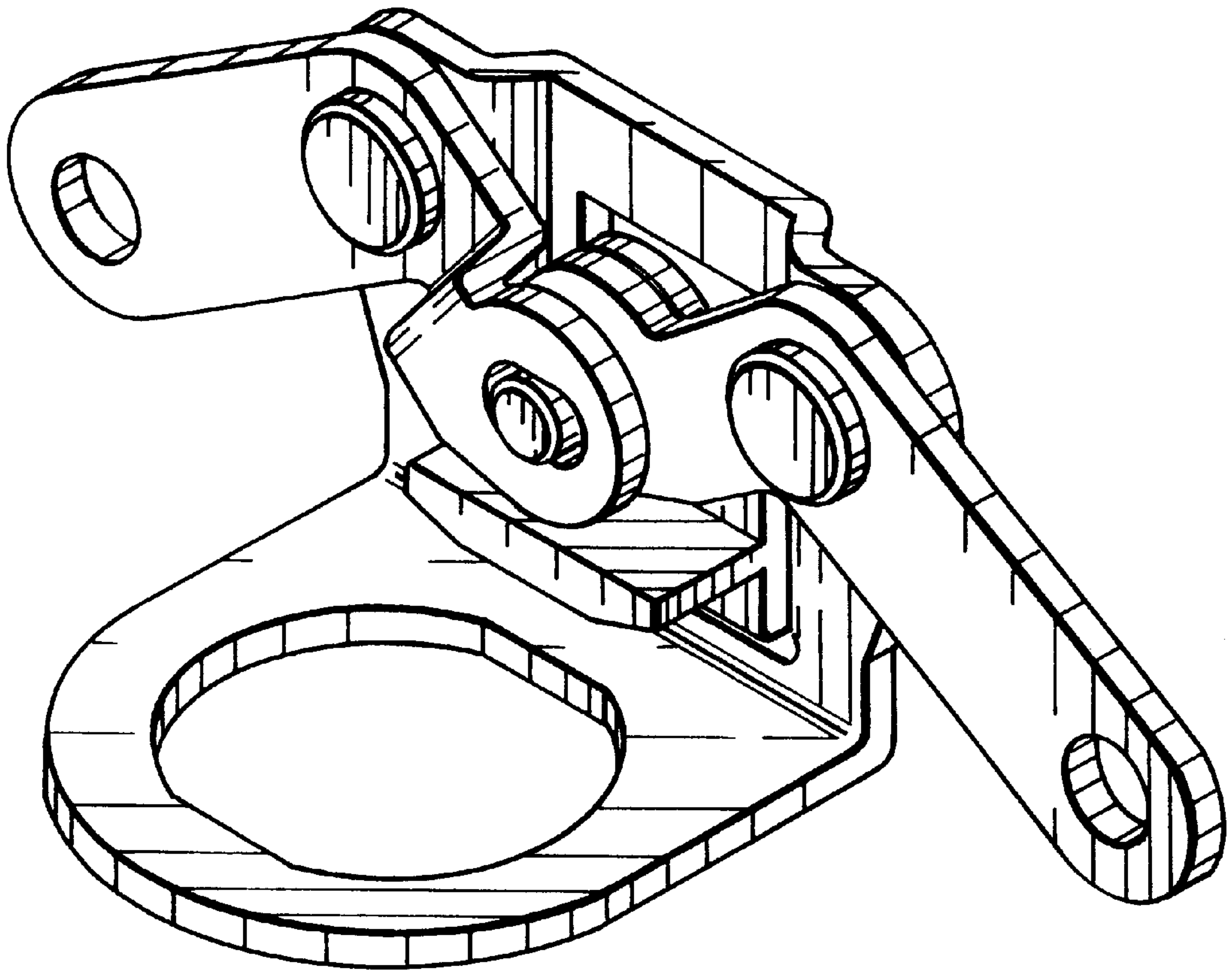


FIG. 1

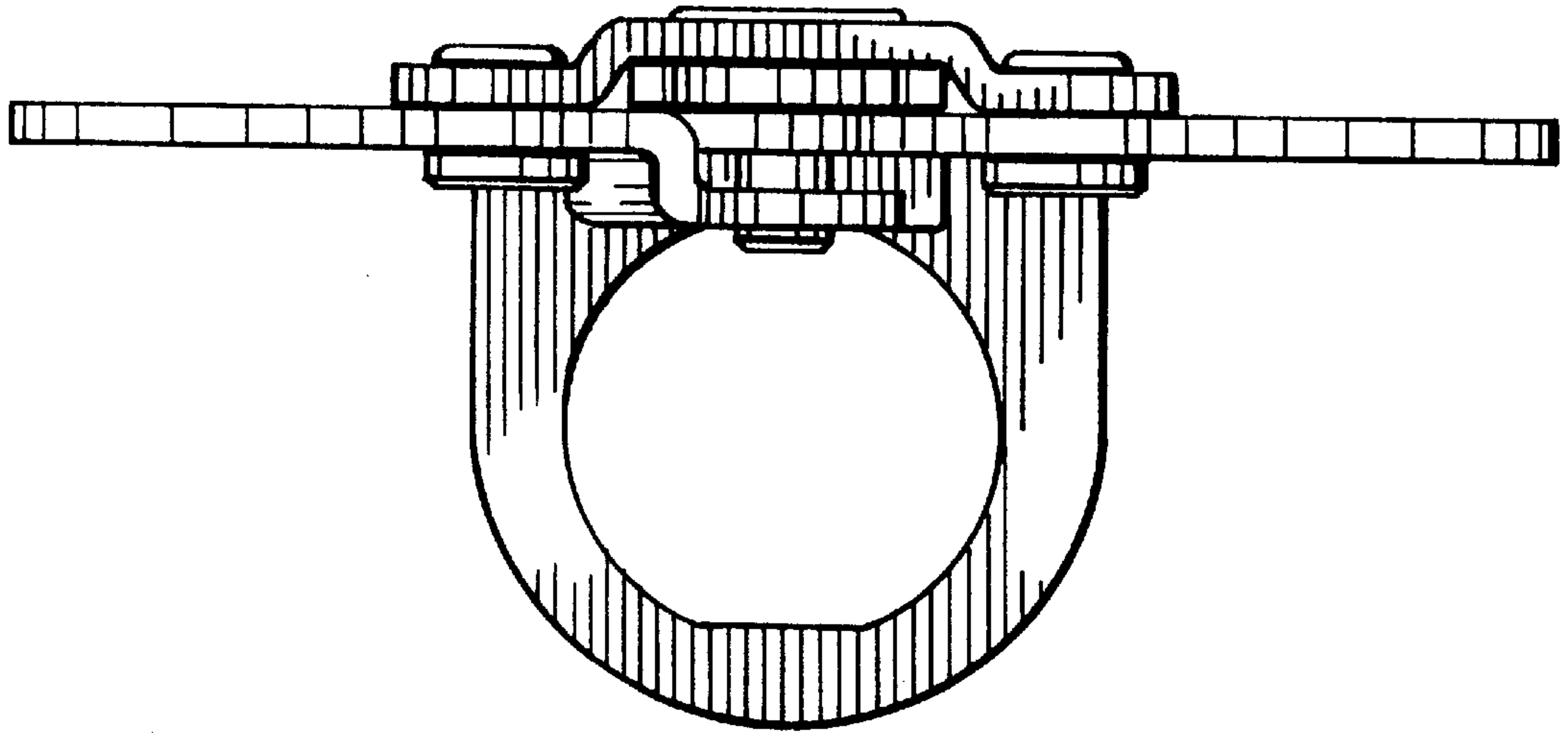


FIG. 2

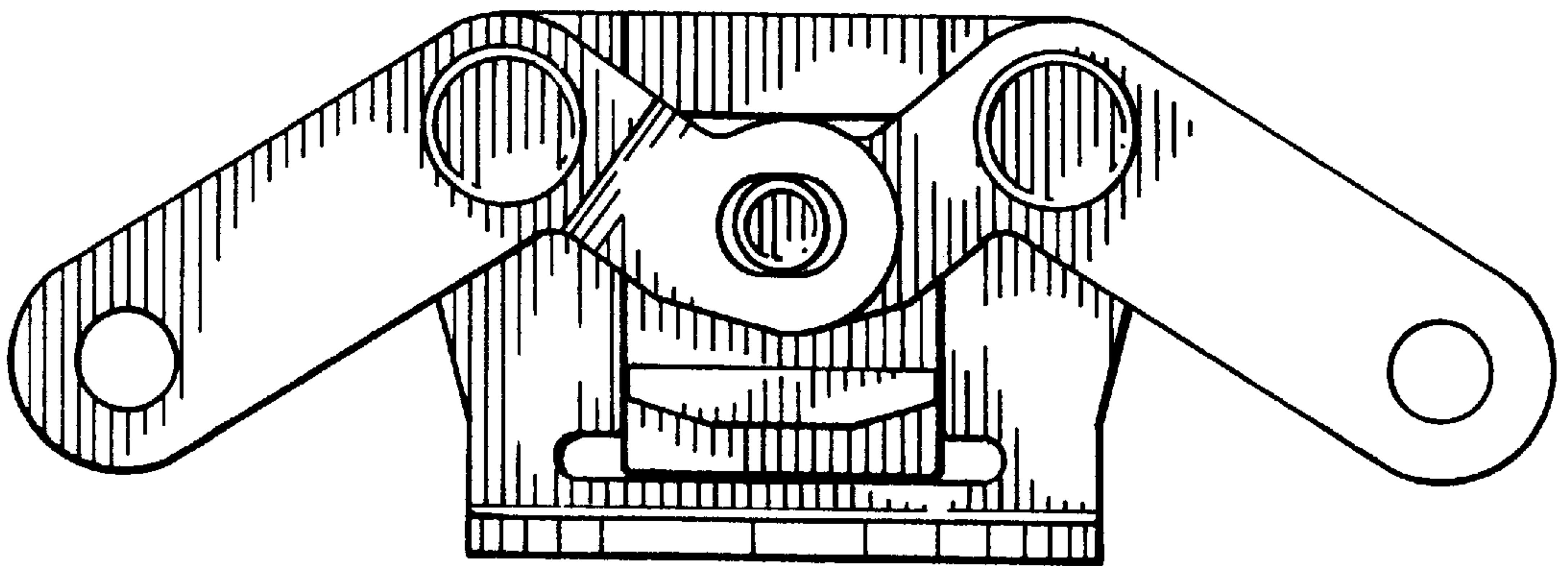


FIG. 3



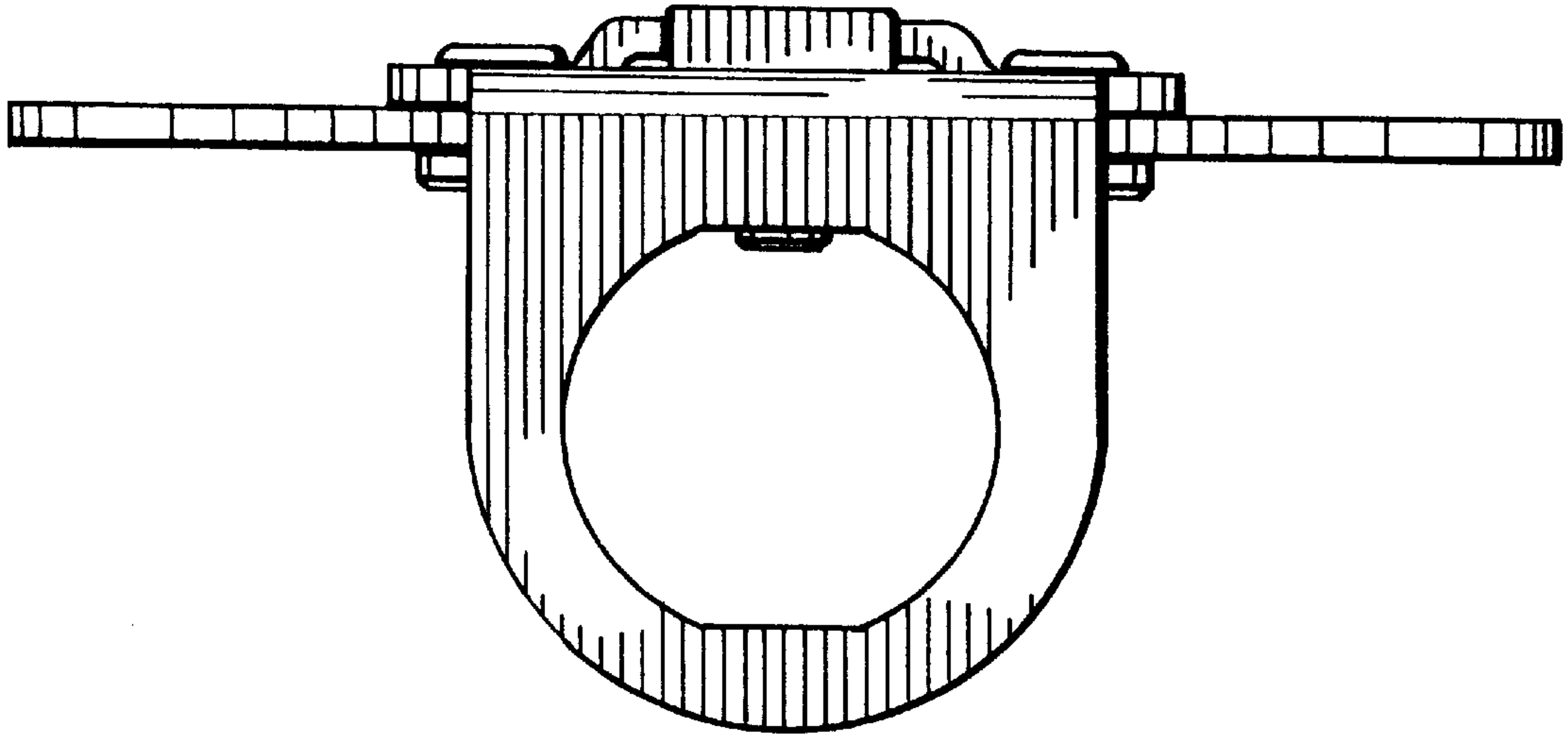


FIG. 4

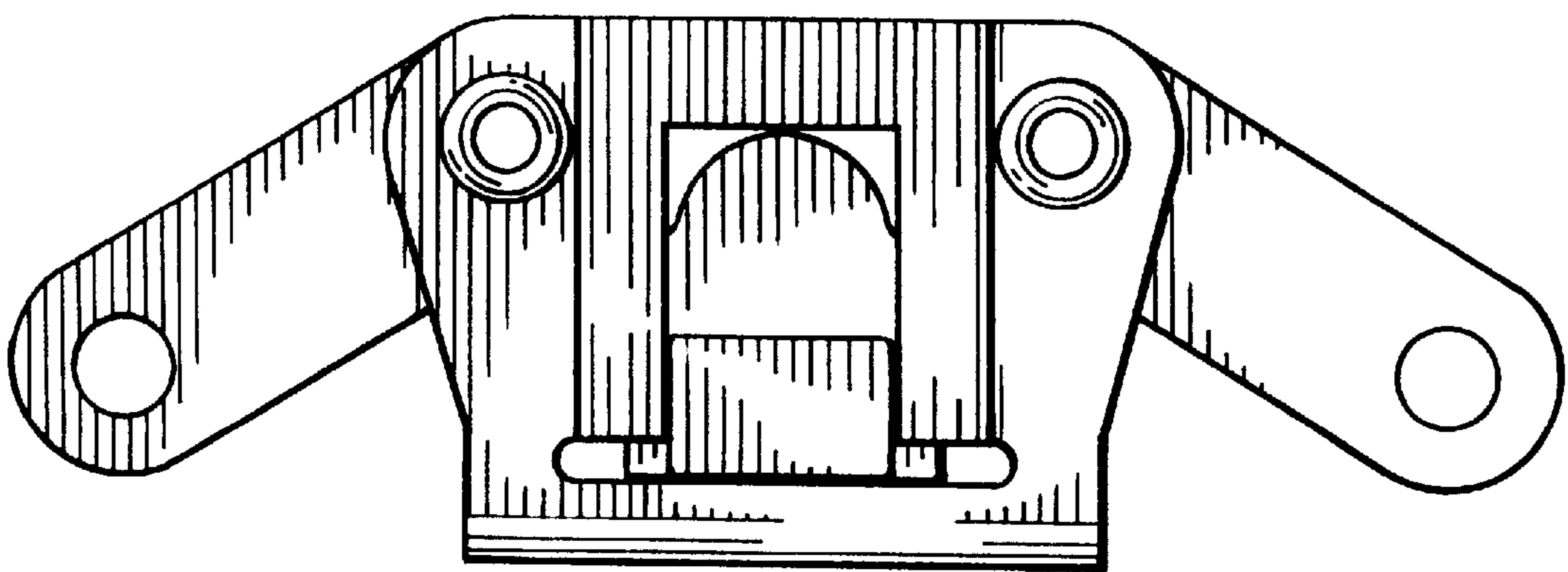


FIG. 5

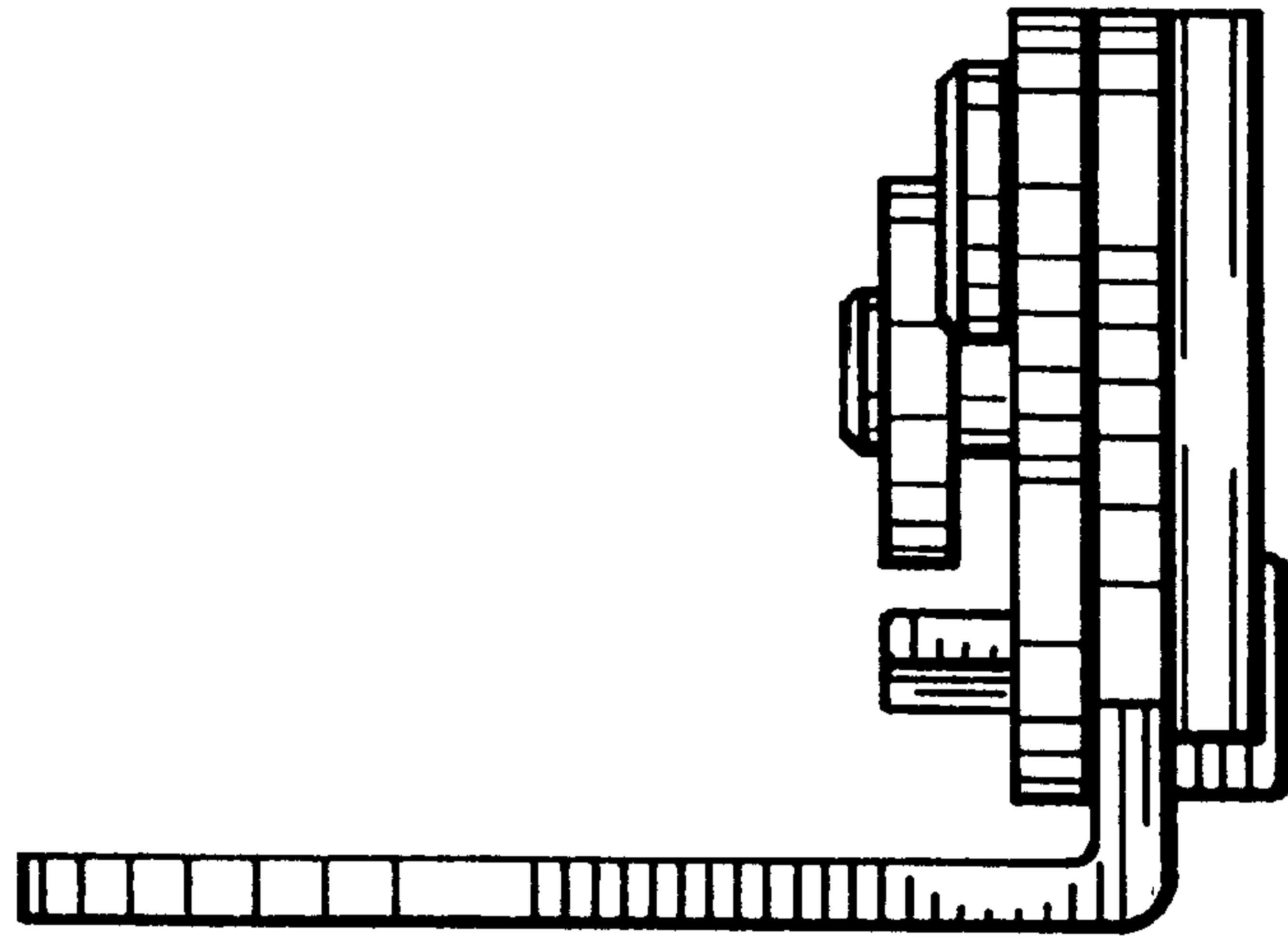


FIG. 6

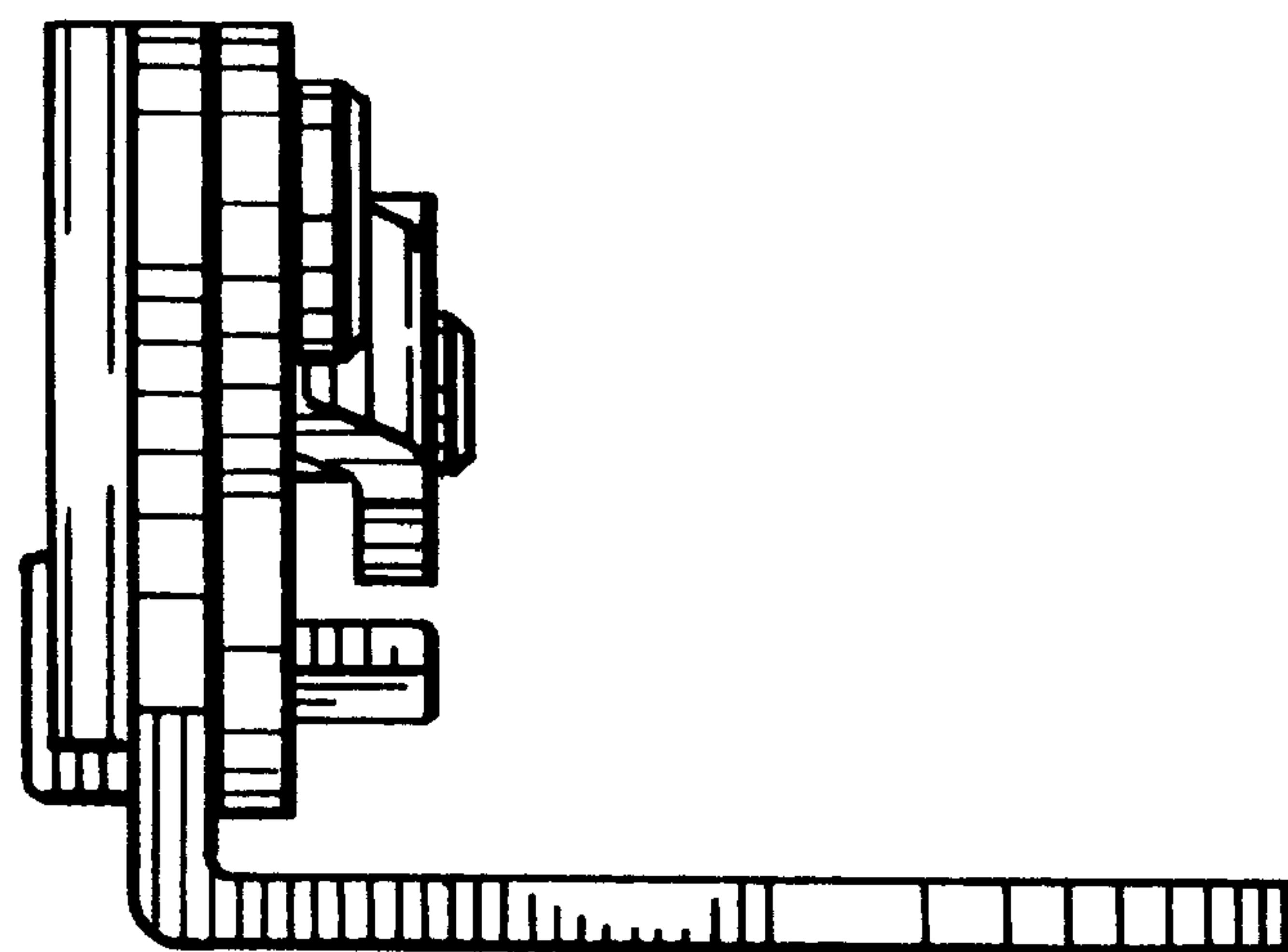


FIG. 7

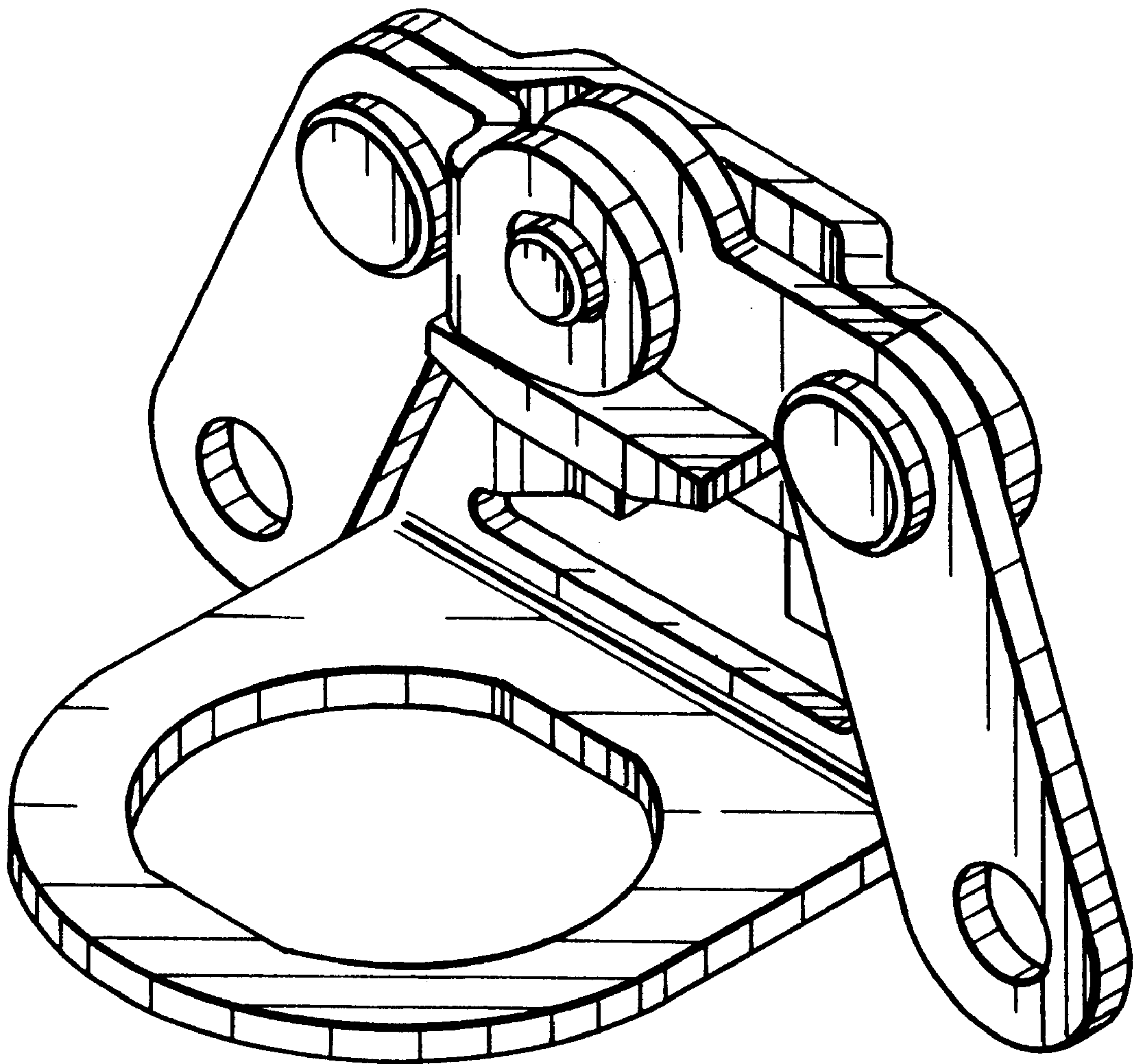


FIG. 8

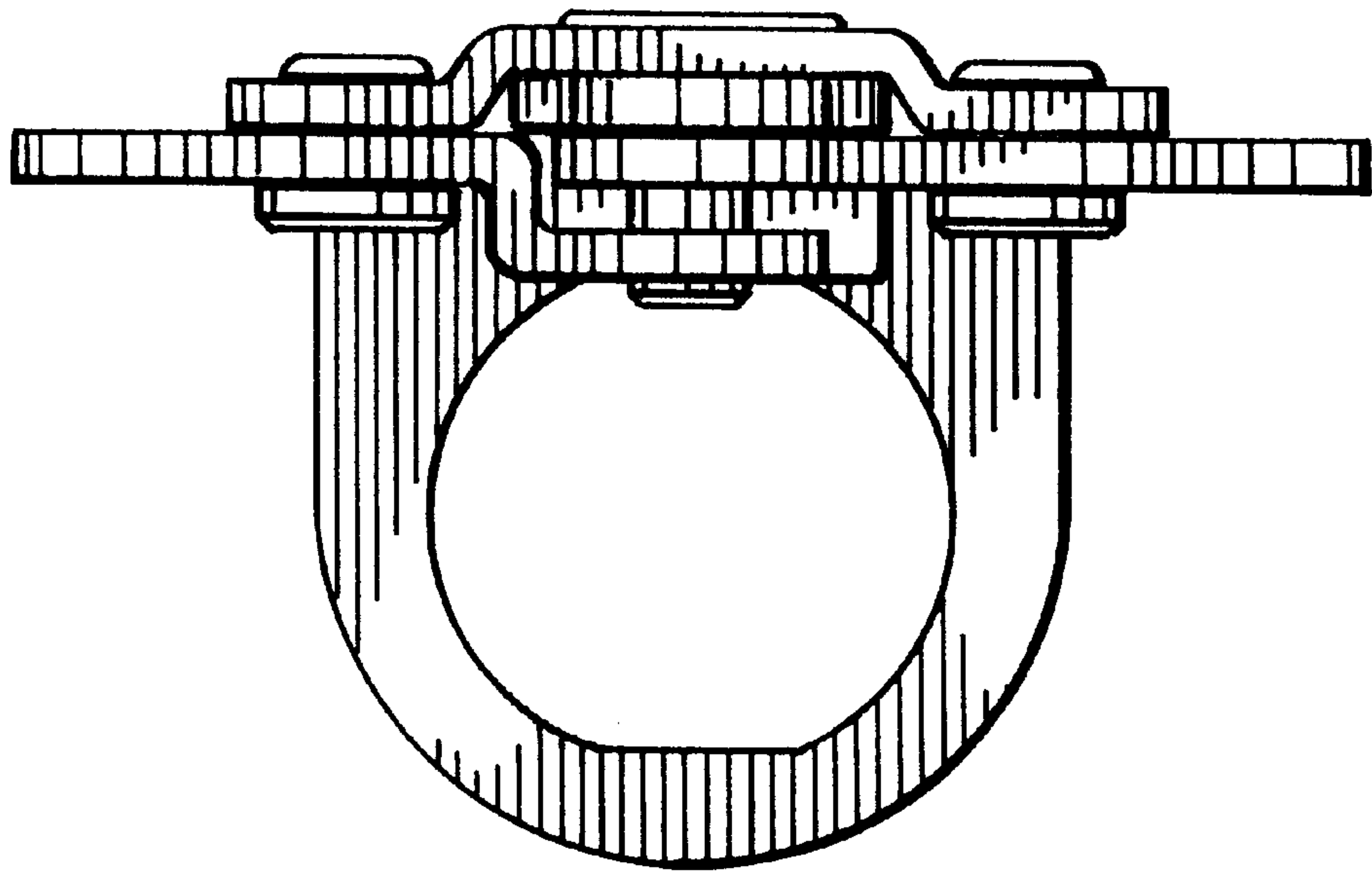


FIG. 9

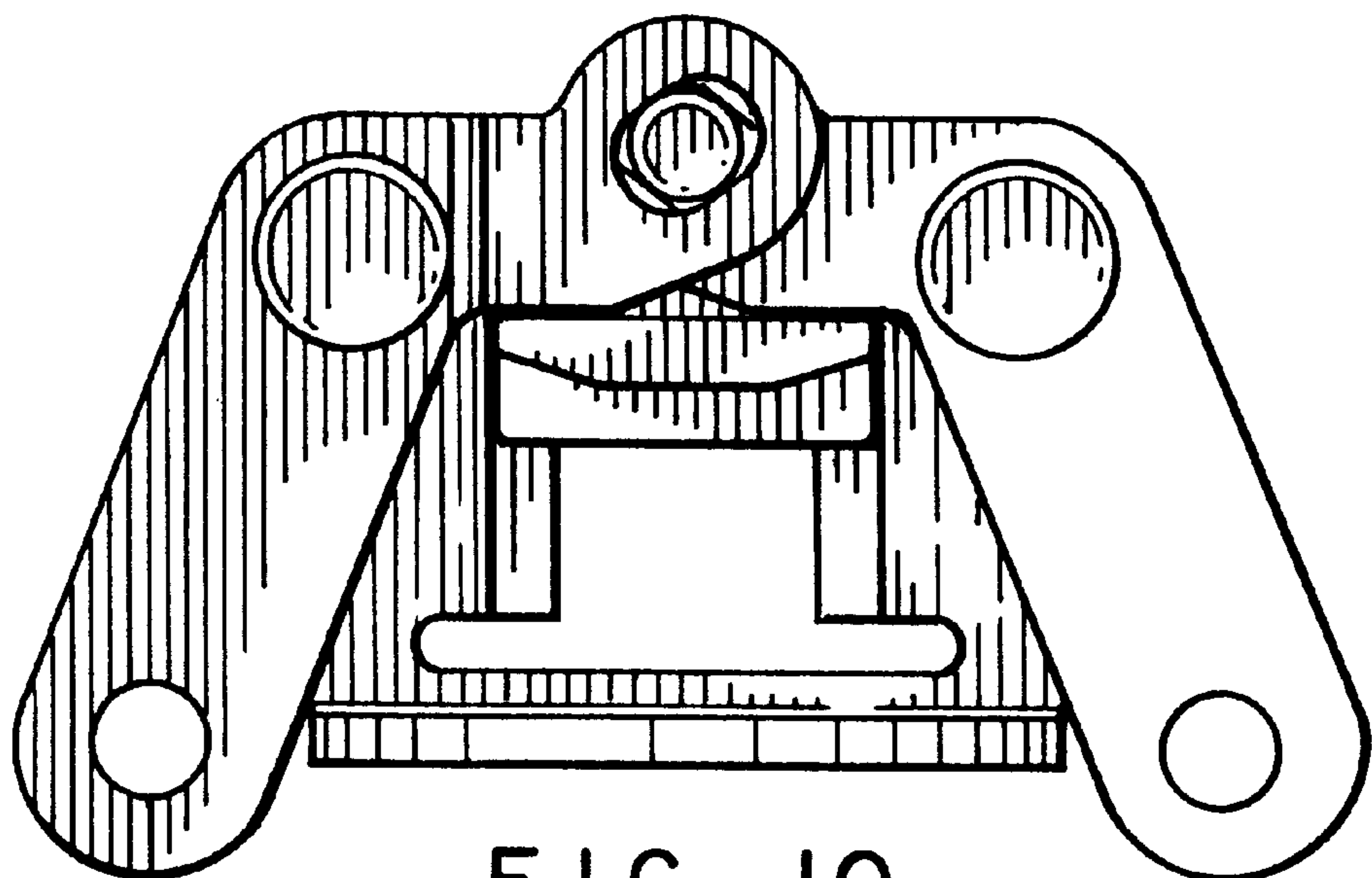


FIG. 10



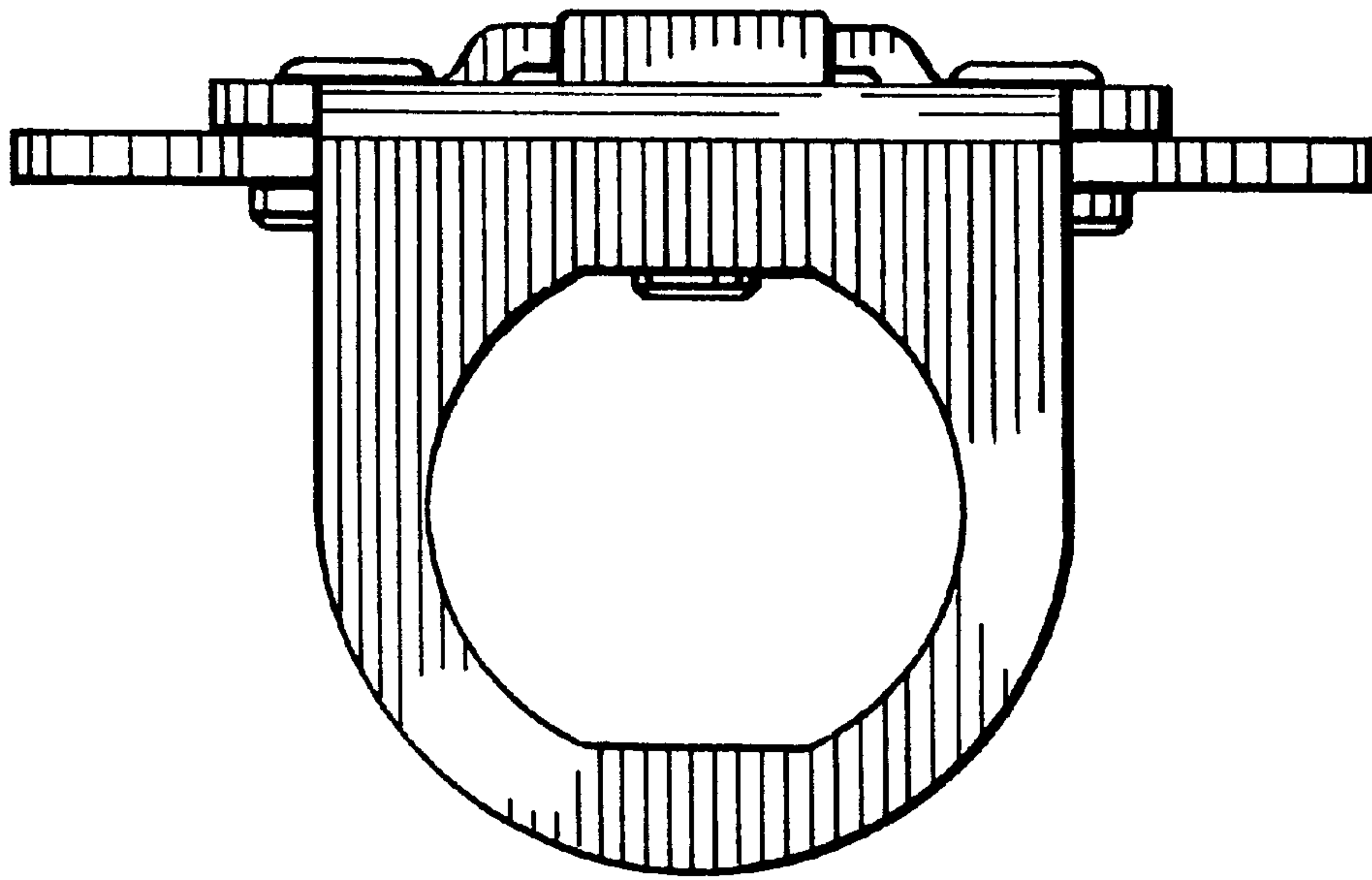


FIG. 11

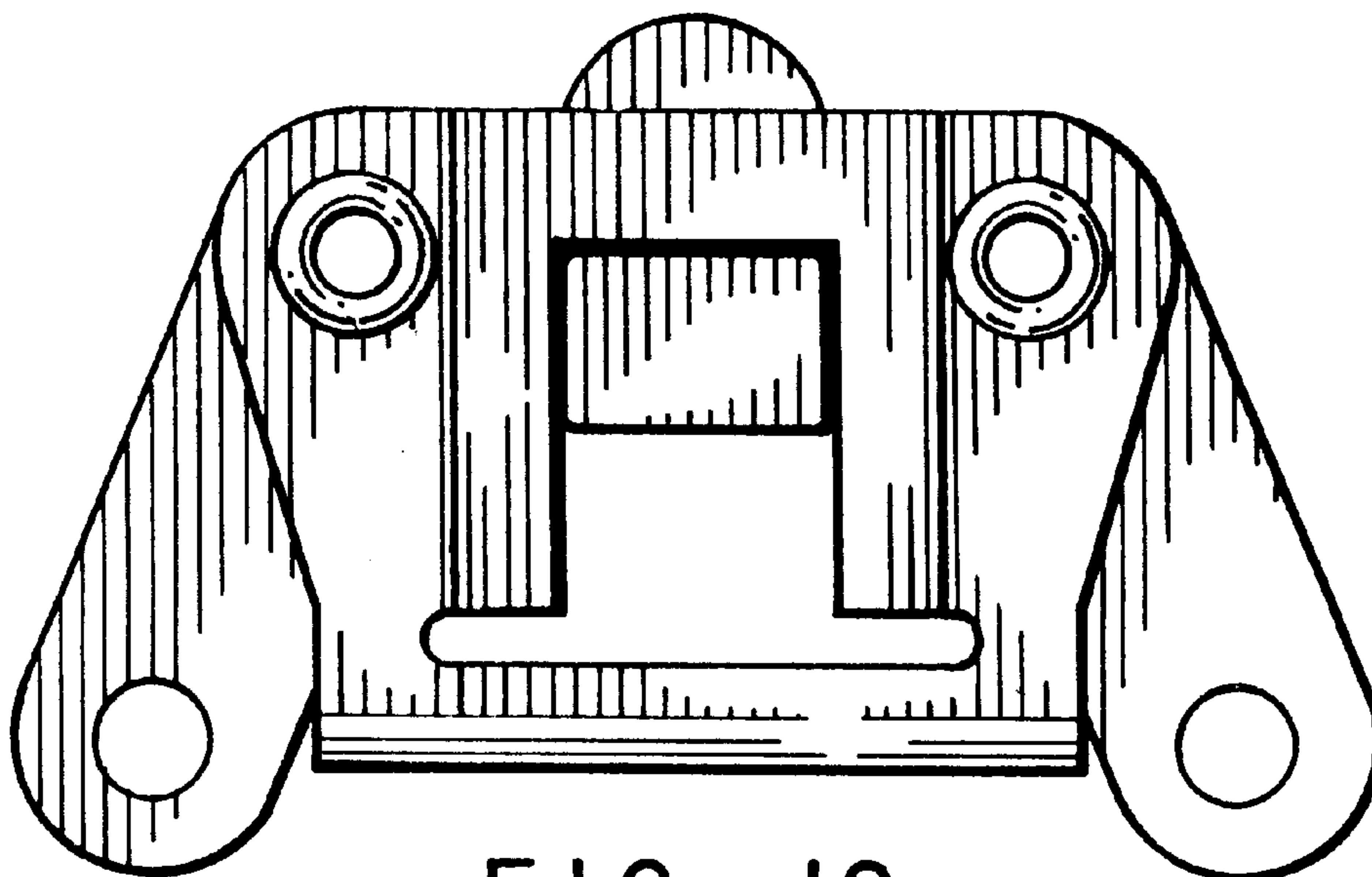


FIG. 12

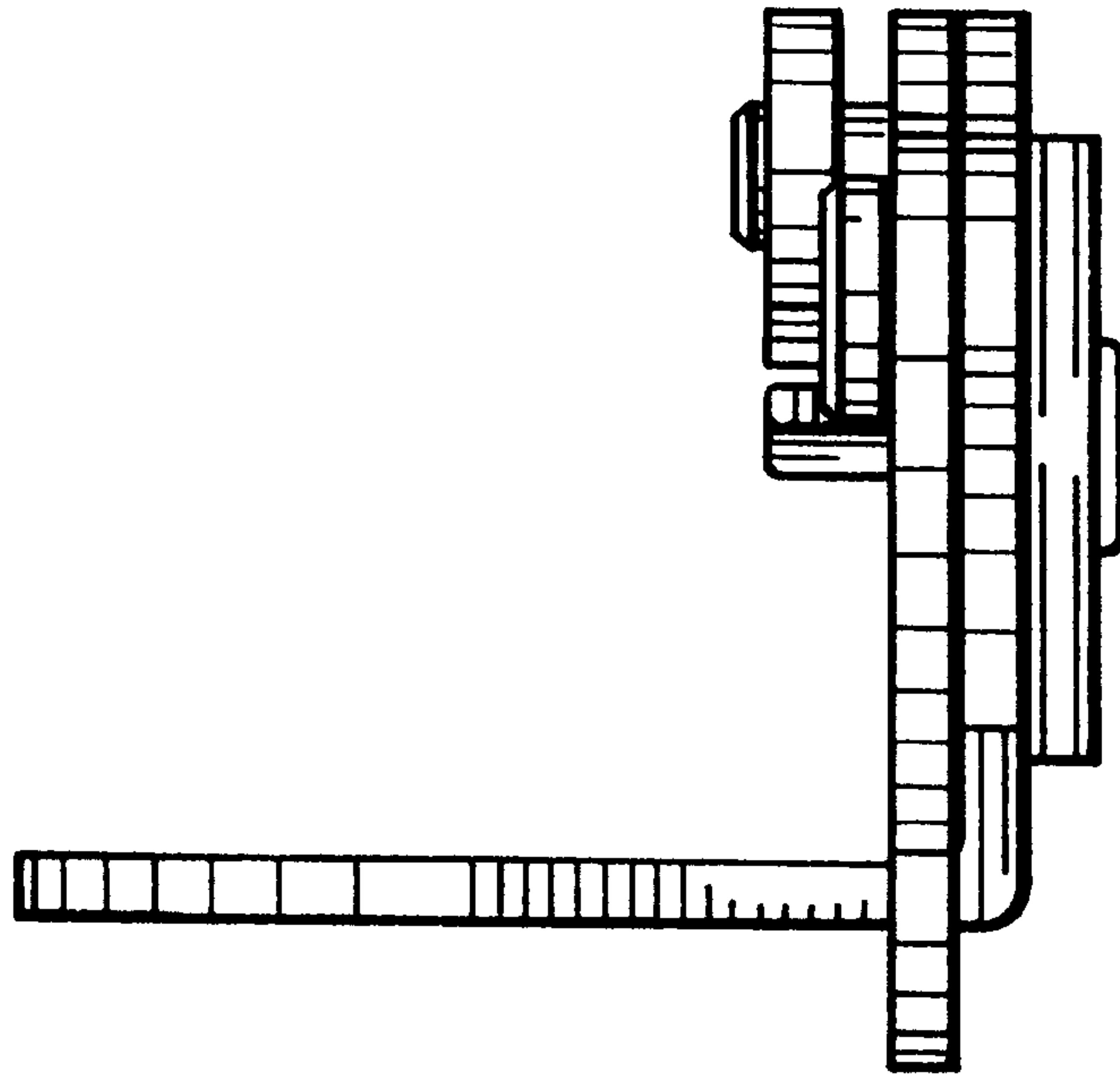


FIG. 13

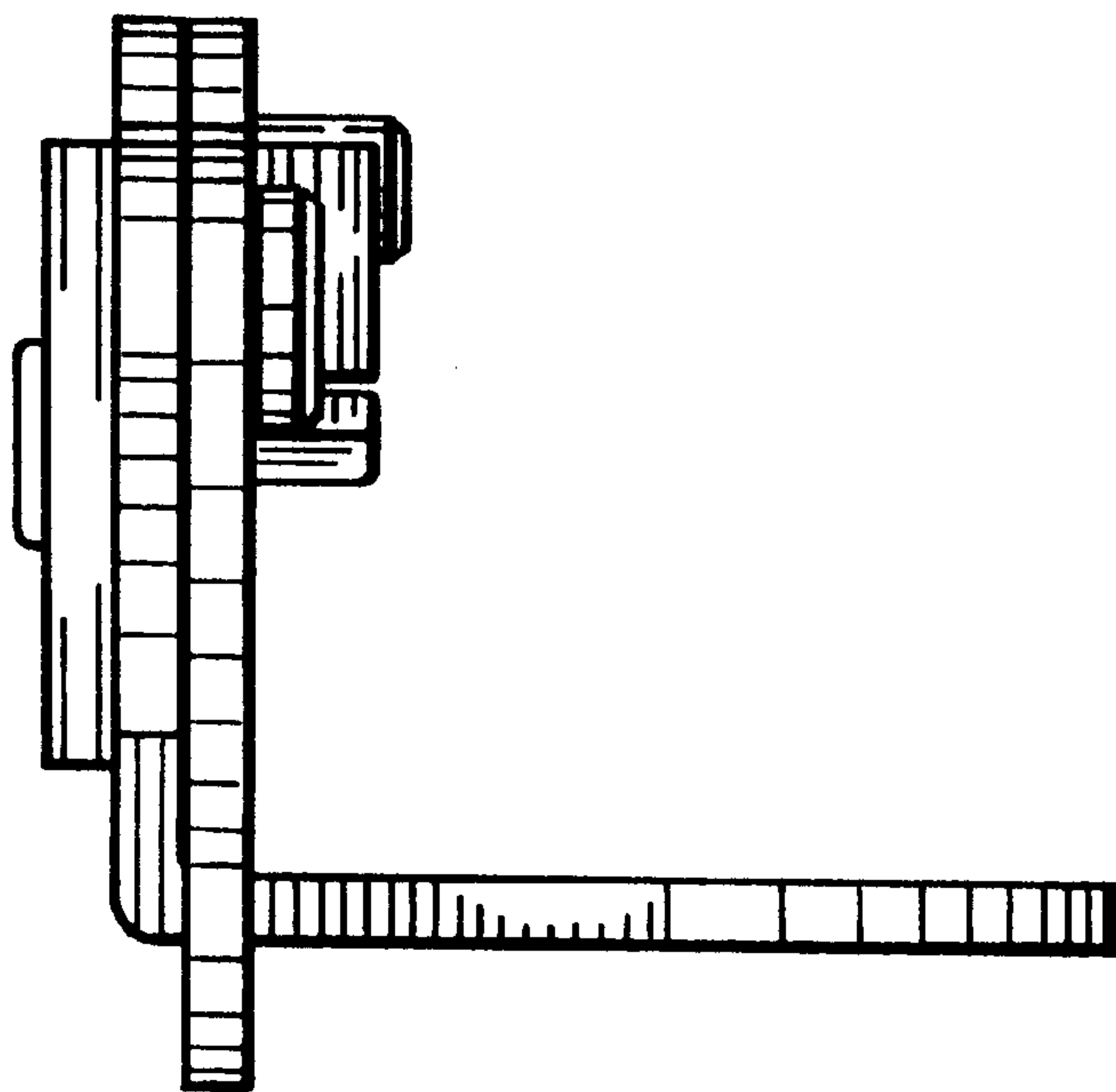


FIG. 14

UNITED STATES PATENT AND TRADEMARK OFFICE  
**CERTIFICATE OF CORRECTION**

PATENT NO. : Des. 471,427 S  
DATED : March 11, 2003  
INVENTOR(S) : Weinerman et al.

Page 1 of 1

It is certified that error appears in the above-identified patent and that said Letters Patent is hereby corrected as shown below:

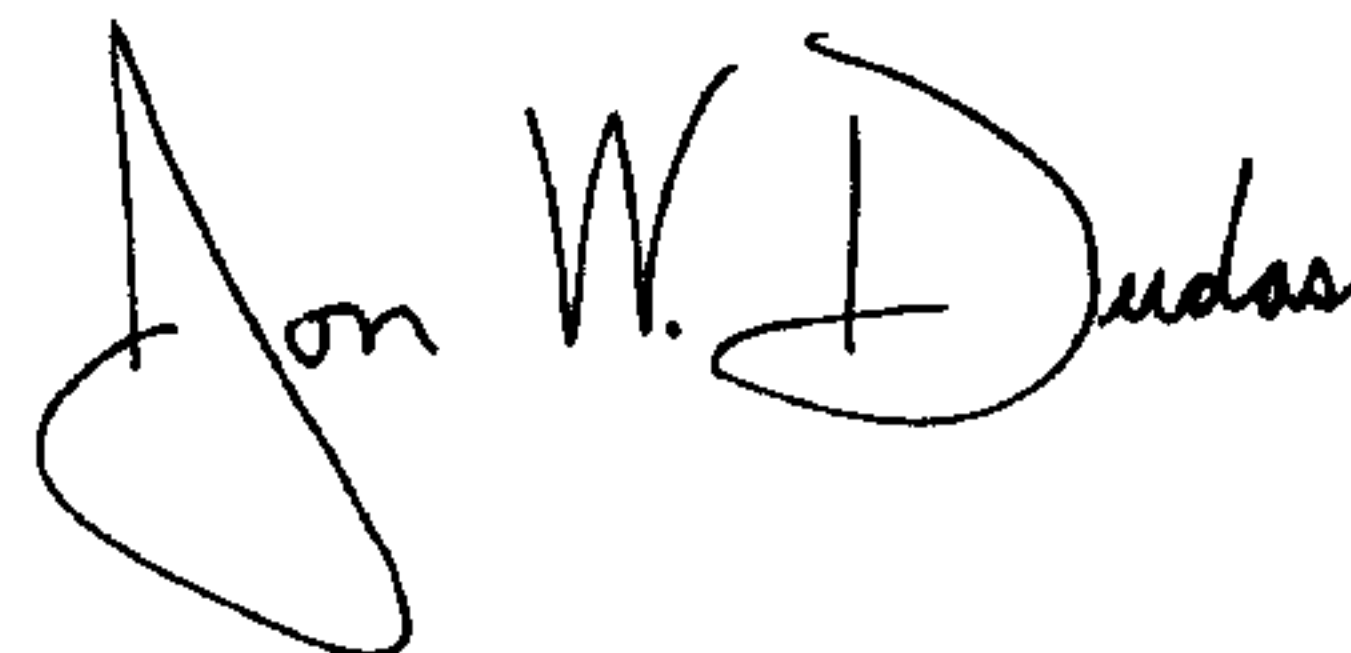
Title page,

Item [63], **Related U.S. Application Data**, is corrected to read:

- 1) THIS APPLICATION IS A CIP OF 09/698,416 10/27/00 PAT 6,454,320
- 2) THIS APPLICATION ALSO IS A CIP OF 29/159,991 05/02/02 PAT D-467,786  
WHICH IS A CIP OF 09/698,416 10/27/00 PAT 6,454,320  
AND IS A CIP OF 29/152,852 12/27/01 PAT D-463,247  
AND IS A CIP OF 29/152,851 12/27/01 PAT D-471,426  
AND IS A CIP OF 29/142,044 05/17/01 PAT D-464,555
- 3) THIS APPLICATION ALSO IS A CIP OF 29/152,852 12/27/01 PAT D-463,247  
WHICH IS A CIP OF 29/142,044 05/17/01 PAT D-464,555  
WHICH IS A CIP OF 29/131,819 10/27/00 PAT D447,042  
WHICH IS A CIP OF 29/113,063 10/28/99 PAT D445,015
- 4) THIS APPLICATION ALSO IS A CIP OF 29/152,851 12/27/01 PAT D-471,426  
WHICH IS A CIP OF 29/142,044 05/17/01 PAT D-464,555  
WHICH IS A CIP OF 29/131,819 10/27/00 PAT D447,042  
WHICH IS A CIP OF 29/113,063 10/28/99 PAT D445,015
- 5) THIS APPLICATION ALSO IS A CIP OF 29/142,044 05/17/01 PAT D-464,555  
WHICH IS A CIP OF 29/131,819 10/27/00 PAT D447,042  
WHICH IS A CIP OF 29/113,063 10/28/99 PAT D445,015 --

Signed and Sealed this

Tenth Day of February, 2004



JON W. DUDAS  
*Acting Director of the United States Patent and Trademark Office*