



US00D471426S

(12) **United States Design Patent** (10) **Patent No.:** **US D471,426 S**
Weinerman et al. (45) **Date of Patent:** **** Mar. 11, 2003**

(54) **PORTIONS OF A CLAMP BRACKET ASSEMBLY FOR USE WITH PUSH BUTTON LATCH AND LOCK OPERATING ASSEMBLIES**

(75) Inventors: **Lee S. Weinerman**, Medina, OH (US); **Scott A. Arthurs**, Brunswick, OH (US); **Arthur J. Kuminski**, Parma, OH (US); **Leslie A. Farkas**, Delhi (CA); **Robin T. Green**, Tillsonburg (CA)

(73) Assignee: **The Eastern Company**, Cleveland, OH (US)

(**) Term: **14 Years**

(21) Appl. No.: **29/152,851**

(22) Filed: **Dec. 27, 2001**

Related U.S. Application Data

(63) Continuation-in-part of application No. 29/142,044, filed on May 17, 2001, which is a continuation-in-part of application No. 29/131,819, filed on Oct. 27, 2000, now Pat. No. Des. 447,042, which is a continuation-in-part of application No. 29/113,063, filed on Oct. 28, 1999, now Pat. No. Des. 445,015.

(51) **LOC (7) Cl.** **08-07**

(52) **U.S. Cl.** **D8/330; D8/343**

(58) **Field of Search** **D8/330, 331, 336, D8/343; 292/83, 208, 210, 216, 209, 300, 309; 285/312**

(56) **References Cited**

U.S. PATENT DOCUMENTS

417,589 A	12/1889	Rose	292/40
491,824 A	2/1893	Walker	200/61.64
767,567 A	8/1904	Keil	292/127
876,300 A	1/1908	Couret	292/135
925,455 A	6/1909	Campbell	70/81
1,058,346 A	4/1913	Berstler	292/21

(List continued on next page.)

OTHER PUBLICATIONS

Tri/Mark, New Hampton, IA "40-400 Push Button Center Control" 2-Page Brochure Dated Jan. 1998.

Primary Examiner—Brian N. Vinson

(74) *Attorney, Agent, or Firm*—David A. Burge

(57) **CLAIM**

We claim the ornamental design for portions of a clamp bracket assembly for use with push button latch and lock operating assemblies, as shown and described.

DESCRIPTION

FIG. 1 is a perspective view showing principally top and front features of a first embodiment of portions of a clamp bracket assembly for use with push button latch and lock operating assemblies embodying our new design;

FIG. 2 is a perspective view showing principally bottom and rear features thereof;

FIG. 3 is a front view thereof;

FIG. 4 is a rear view thereof;

FIG. 5 is a right side view thereof;

FIG. 6 is a left side view thereof;

FIG. 7 is a top view thereof;

FIG. 8 is a bottom view thereof;

FIG. 9 is a perspective view showing principally bottom and front portions thereof with a pivotally movable lever thereof at one end of its range of pivotal movement;

FIG. 10 is a perspective view similar to FIG. 9 but with the pivotally movable lever thereof at the other end of its range of pivotal movement, with broken lines disclosing the position of a push button latch and lock operating assembly clamped by the clamp bracket assembly, with this broken line disclosure being provided for illustrative purposes only and forming no part of the design;

FIG. 11 is a perspective view similar to FIG. 10 but showing a second embodiment of portions of a clamp bracket assembly for use with push button latch and lock operating assemblies embodying our new design;

FIG. 12 is a front view thereof;

FIG. 13 is a rear view thereof;

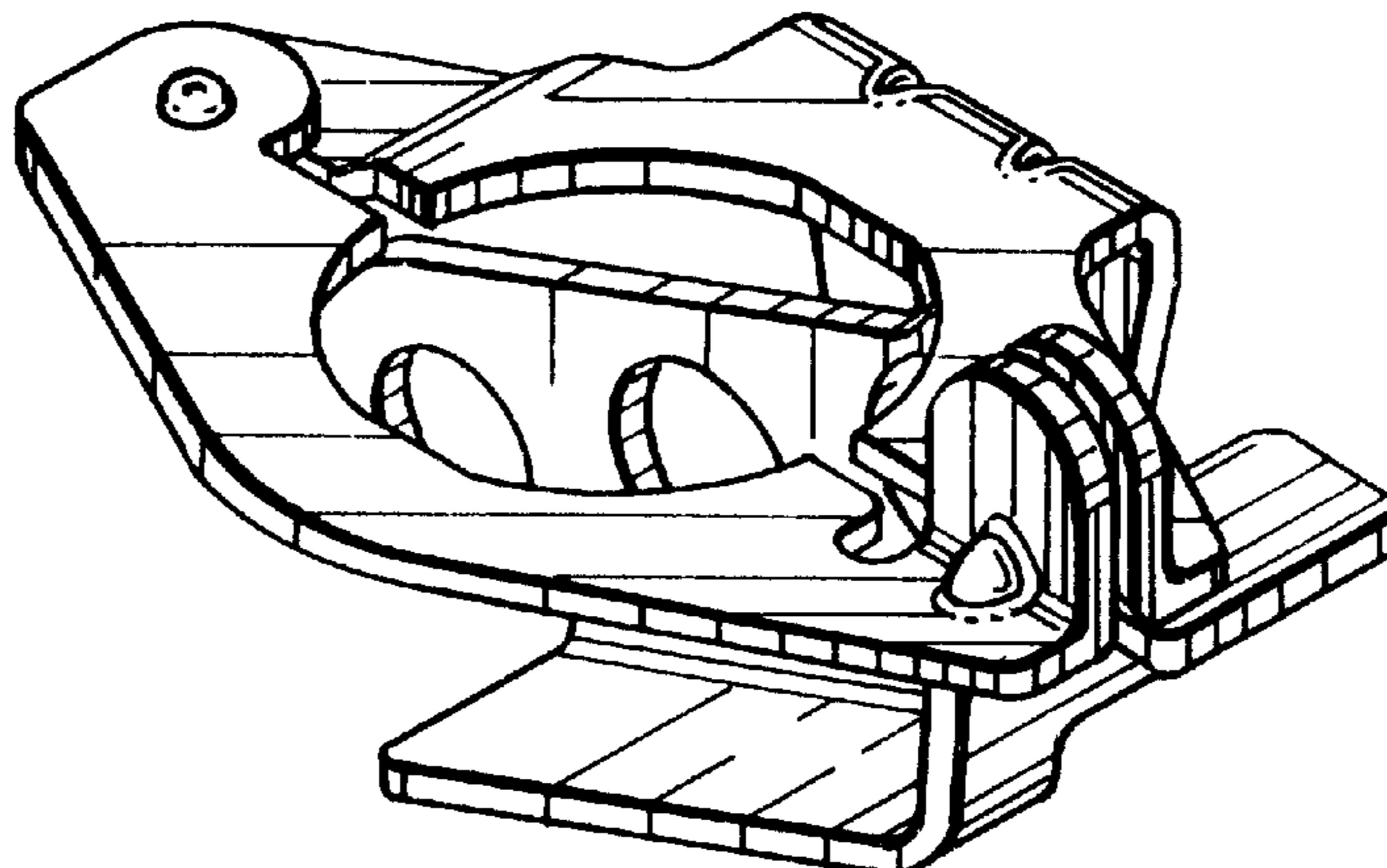
FIG. 14 is a right side view thereof;

FIG. 15 is a left side view thereof;

FIG. 16 is a top view thereof; and,

FIG. 17 is a bottom view thereof.

1 Claim, 7 Drawing Sheets



US D471,426 S

Page 2

U.S. PATENT DOCUMENTS

1,531,605 A	3/1925	Gaynor	200/535	3,602,017 A	8/1971	Bauer	70/78
1,556,864 A	10/1925	Mendenhall	292/33	3,964,280 A	6/1976	Kelton	70/84
1,571,453 A	2/1926	Maxon	292/170	4,059,296 A	11/1977	Panourgias	285/312
1,672,901 A	6/1928	North	292/227	4,488,669 A	12/1984	Waters	224/273
1,965,939 A	7/1934	Jacobi	70/29	4,978,152 A	12/1990	Bisbing	292/169
2,059,479 A	11/1936	North	292/127	D313,337 S	1/1991	Haskell	D8/336
2,705,884 A	4/1955	Craig	70/264	D324,635 S	3/1992	Weinerman et al.	D8/331
2,728,214 A	12/1955	Craig	70/149	5,308,126 A	5/1994	Weger, Jr. et al.	292/53
2,755,519 A	7/1956	Xander	20/52	5,346,266 A	9/1994	Bisbing	292/64
2,772,908 A	12/1956	Craig	292/280	D371,300 S	7/1996	Mordick	D8/343
2,911,247 A	11/1959	Corbin	292/48	5,816,630 A	10/1998	Bennett et al.	292/341.17
2,987,907 A	6/1961	Cockburn et al.	70/135	D429,141 S	8/2000	Antonucci et al.	D8/331
3,054,634 A	9/1962	Westerdale	292/336.3	6,113,160 A	9/2000	Johansson et al.	292/169
				D432,389 S	10/2000	Johansson et al.	D8/331
				6,231,091 B1	5/2001	Gleason et al.	292/34
				D447,042 S	8/2001	Weinerman et al.	D8/330

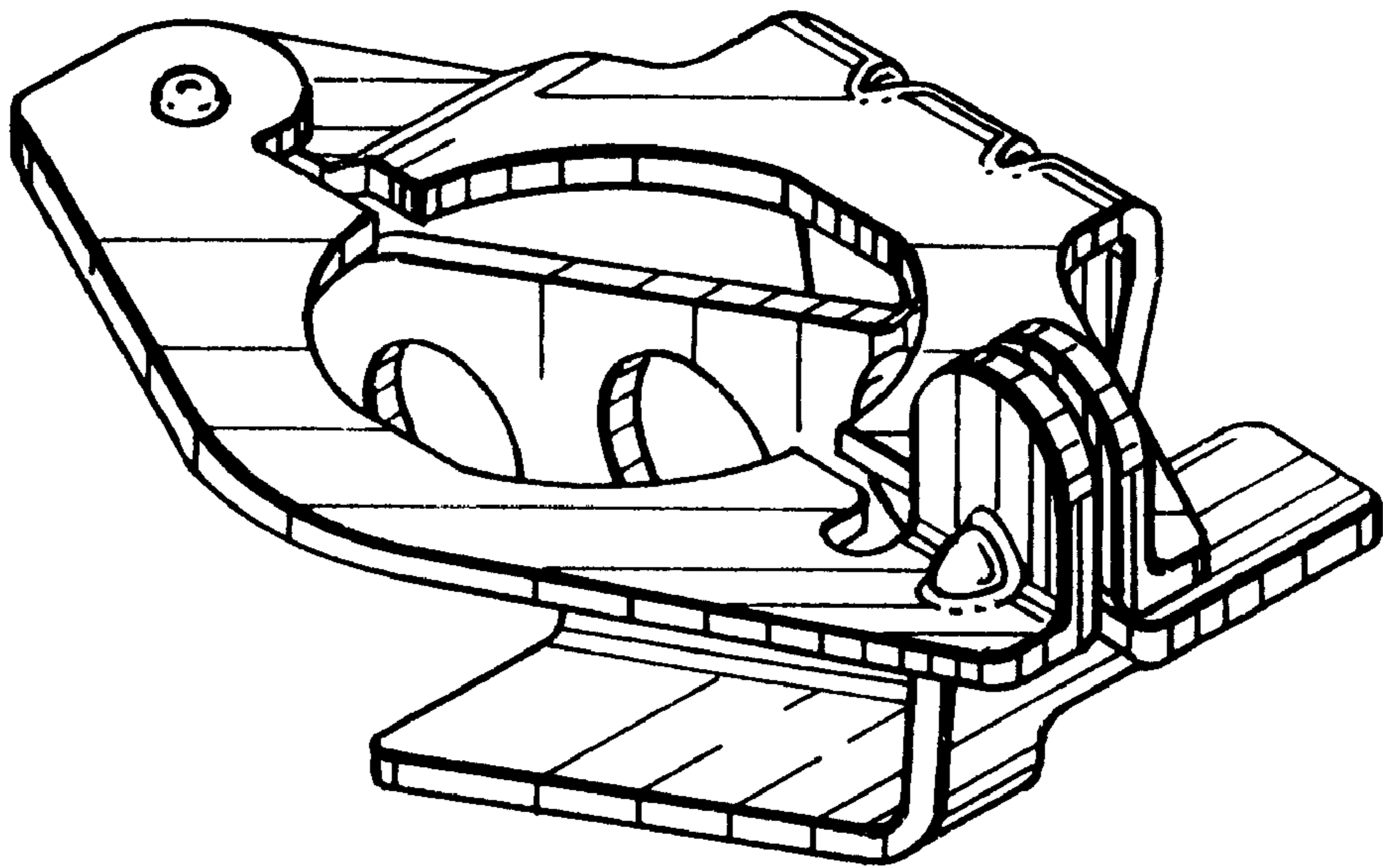


FIG. 1

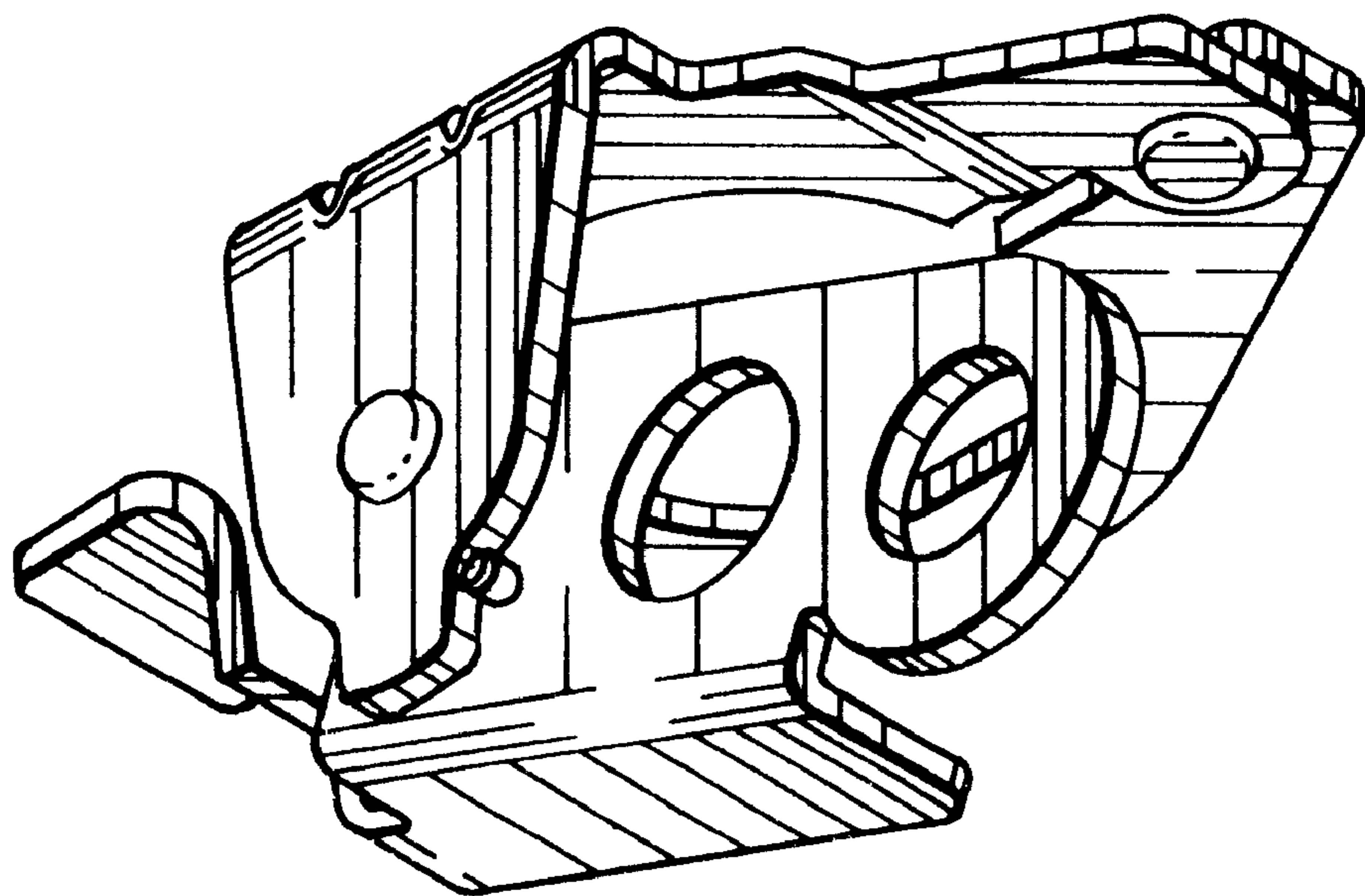


FIG. 2

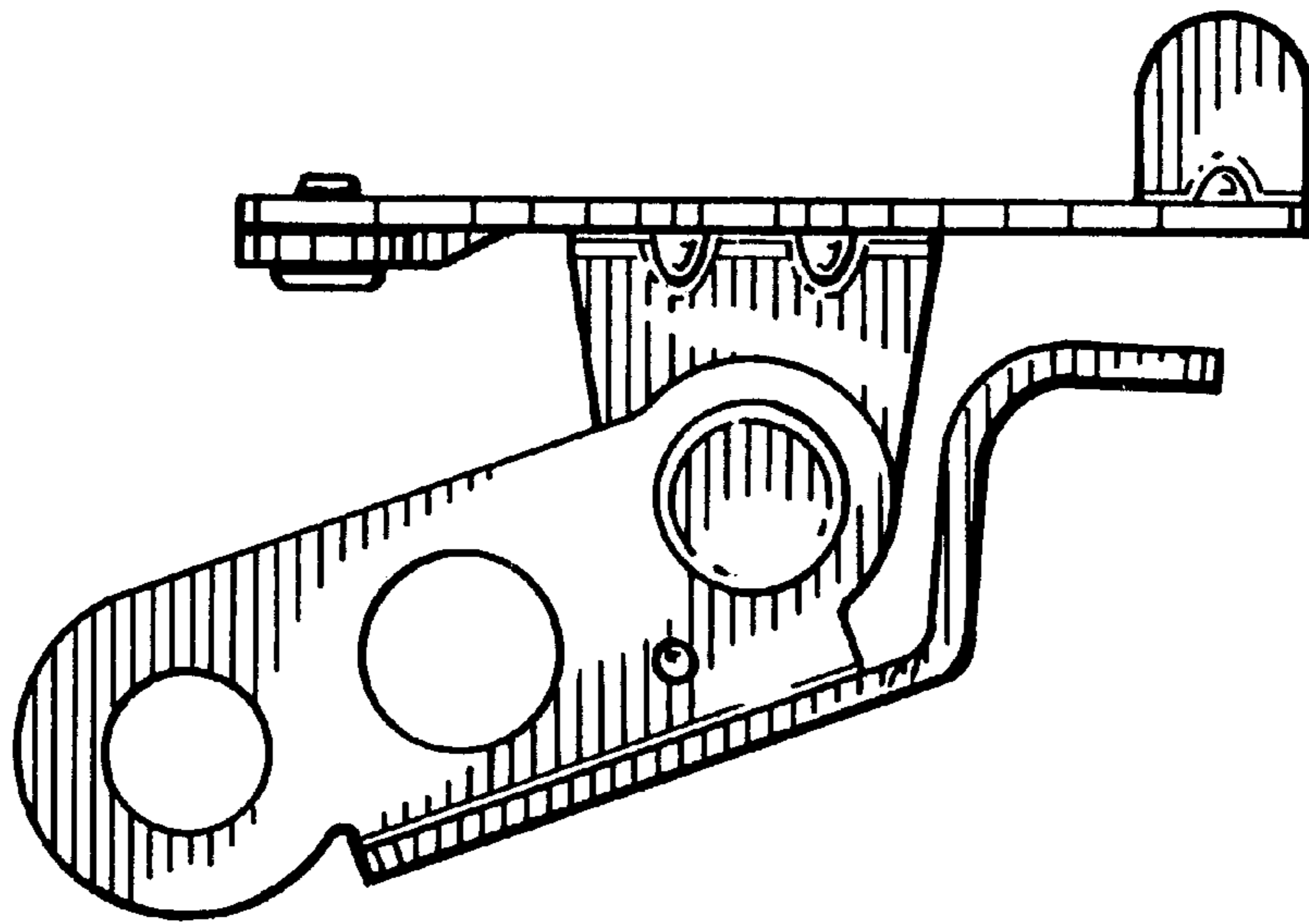


FIG. 3

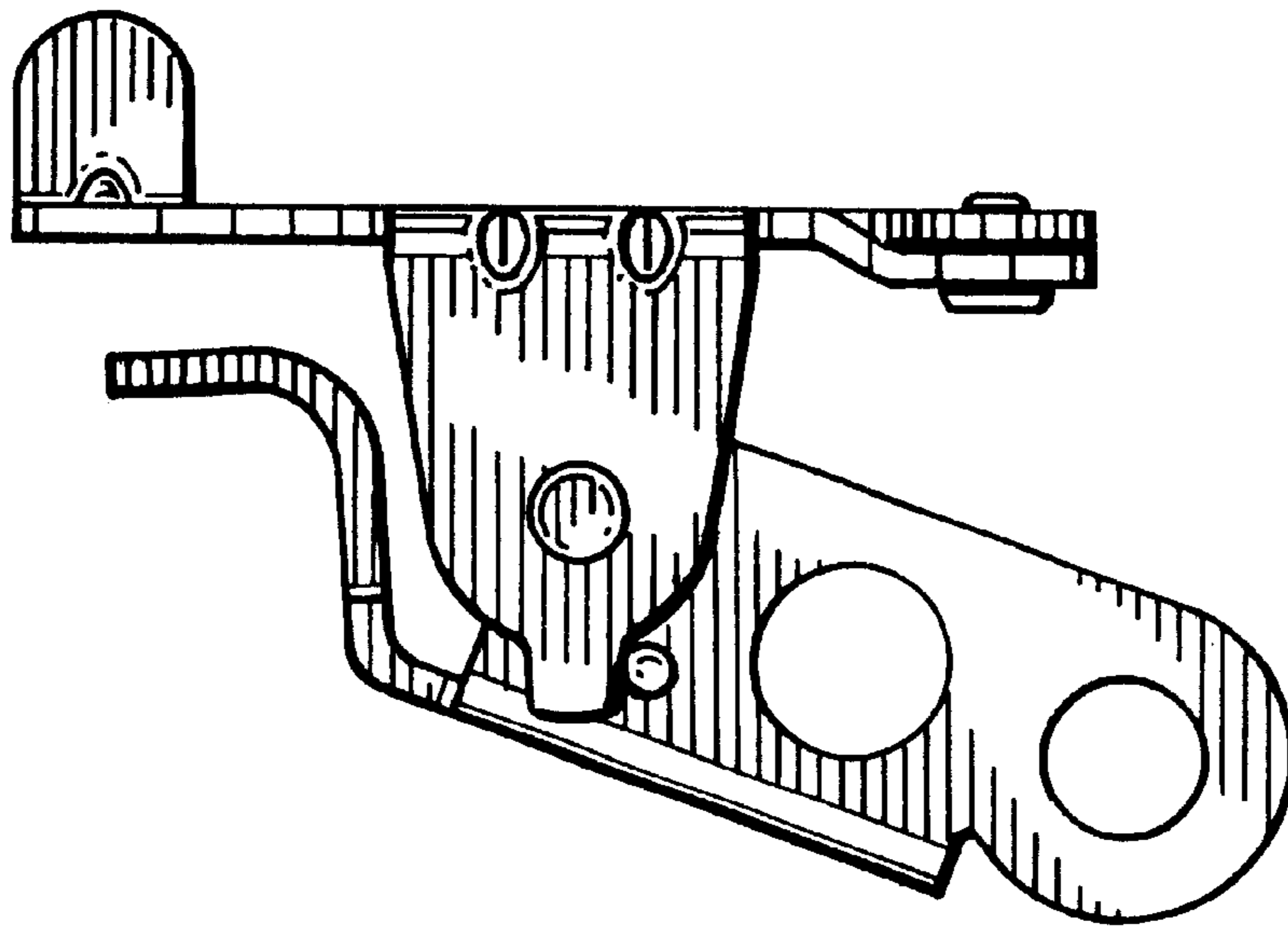


FIG. 4

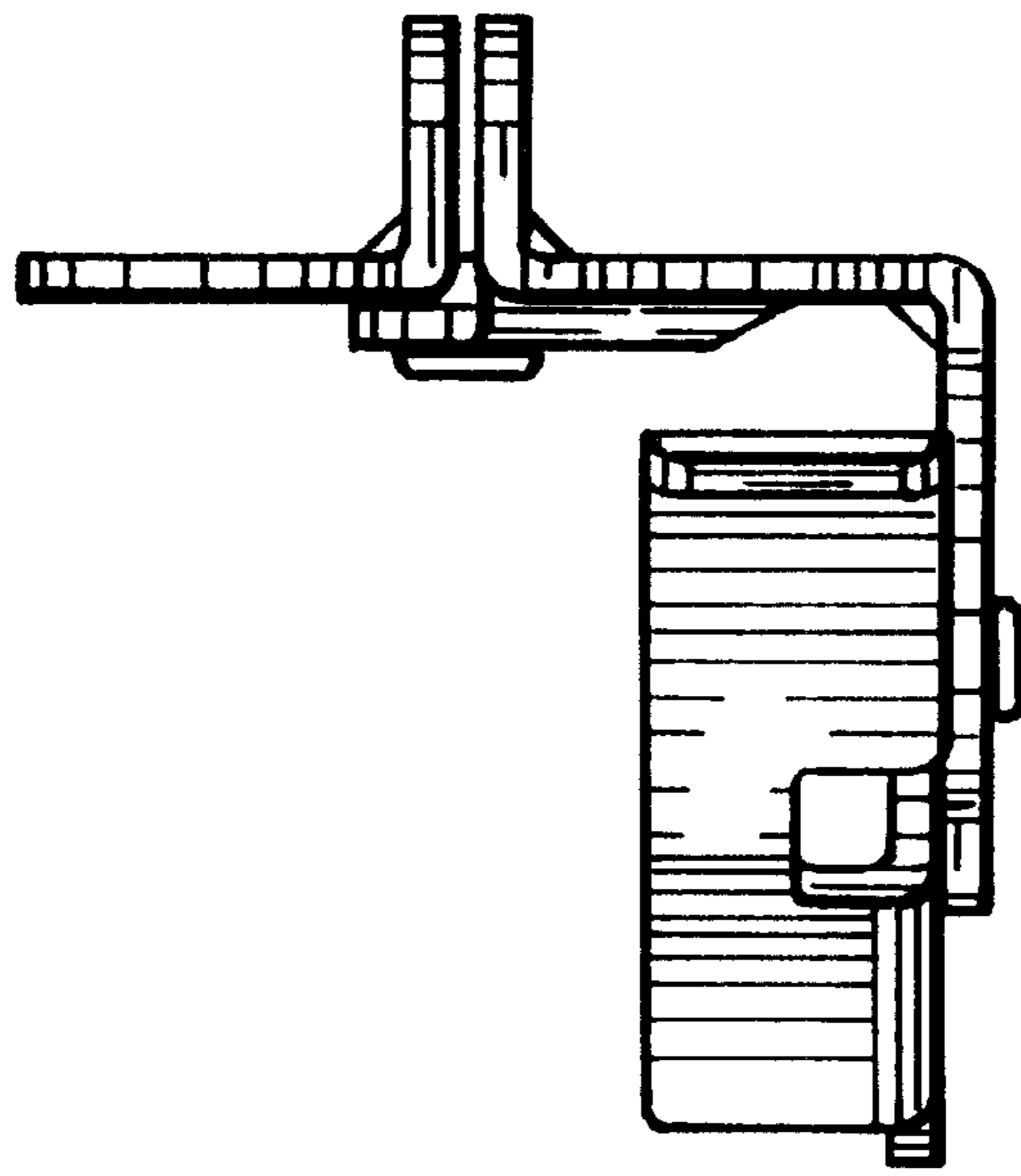


FIG. 5

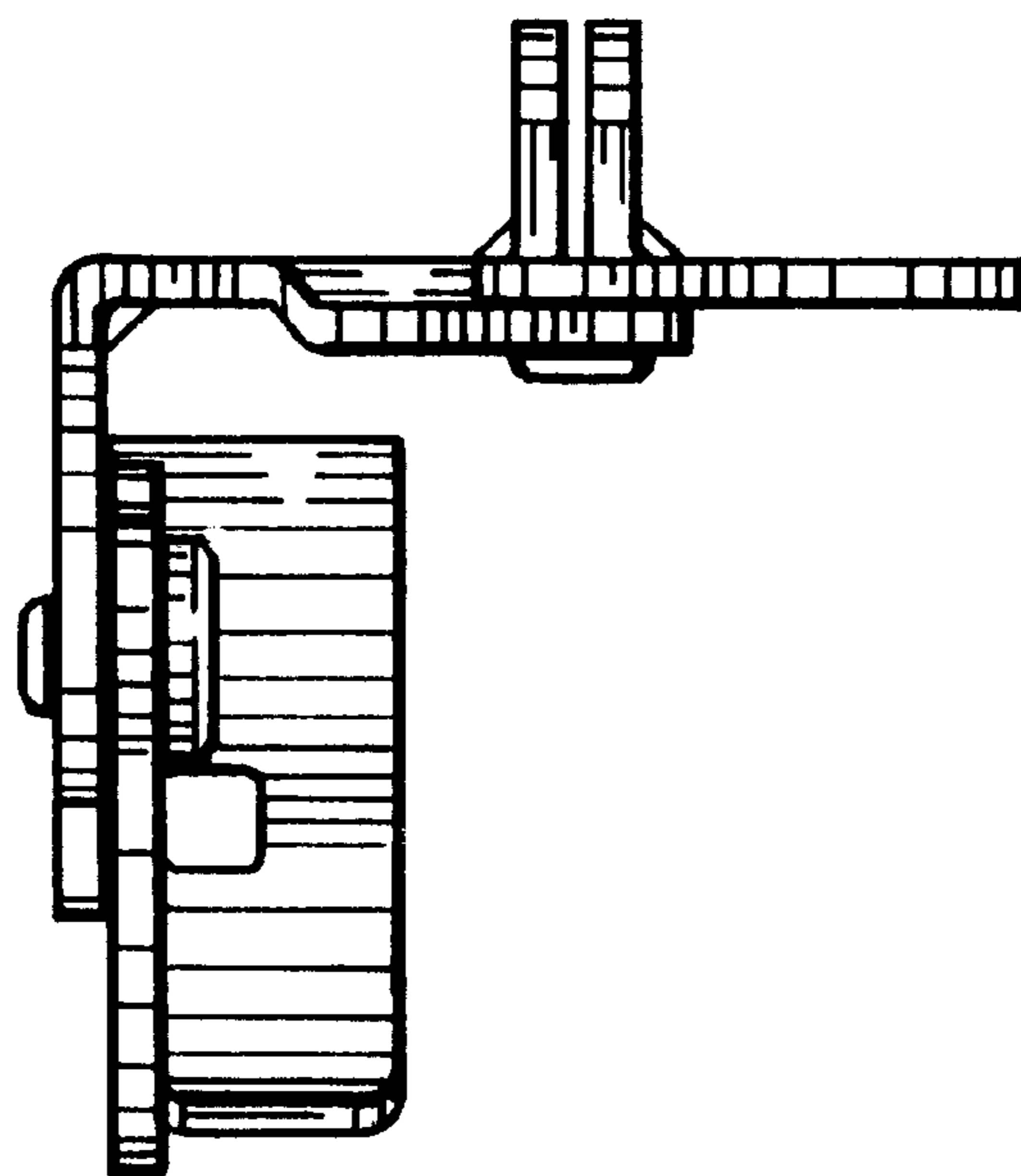


FIG. 6

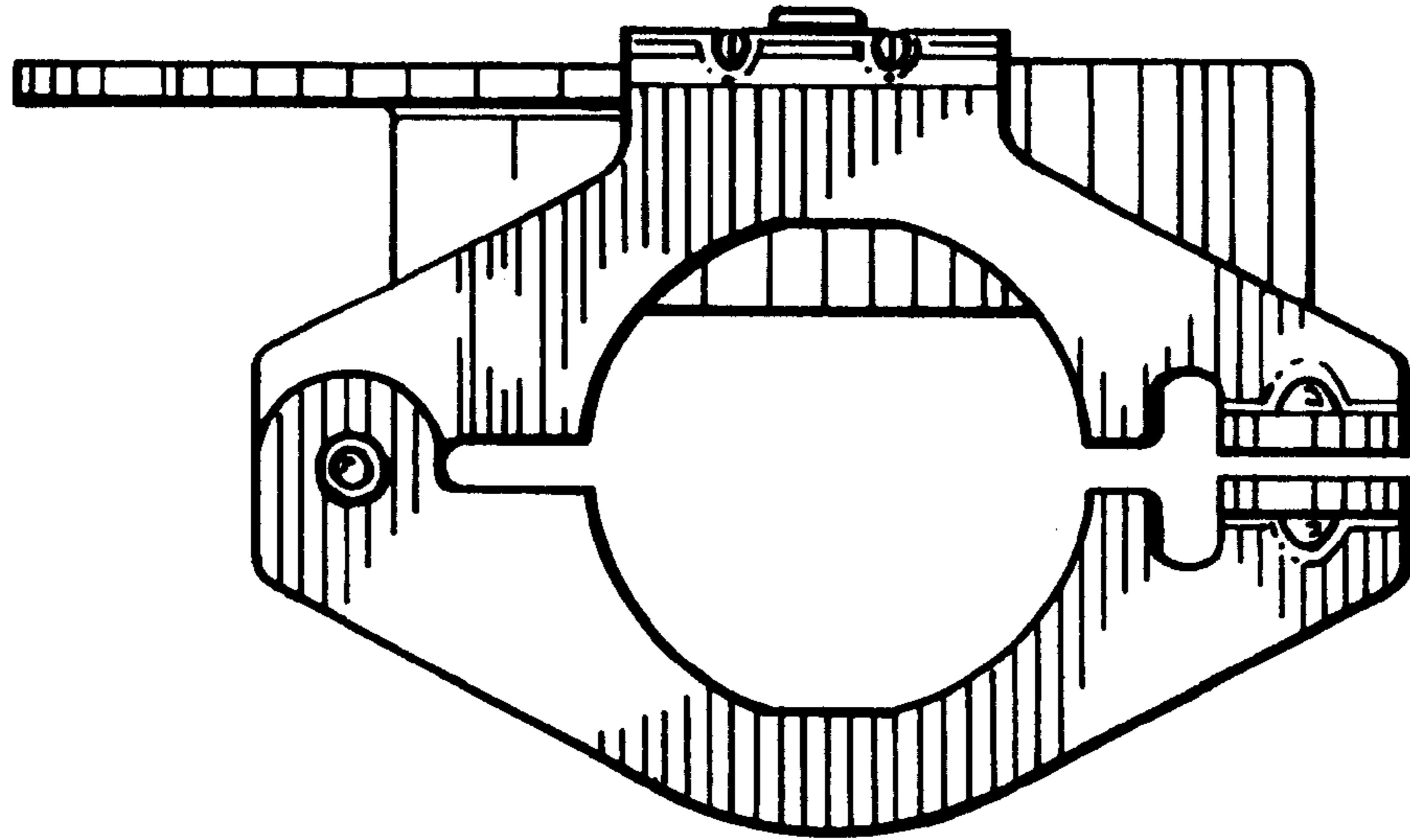


FIG. 7

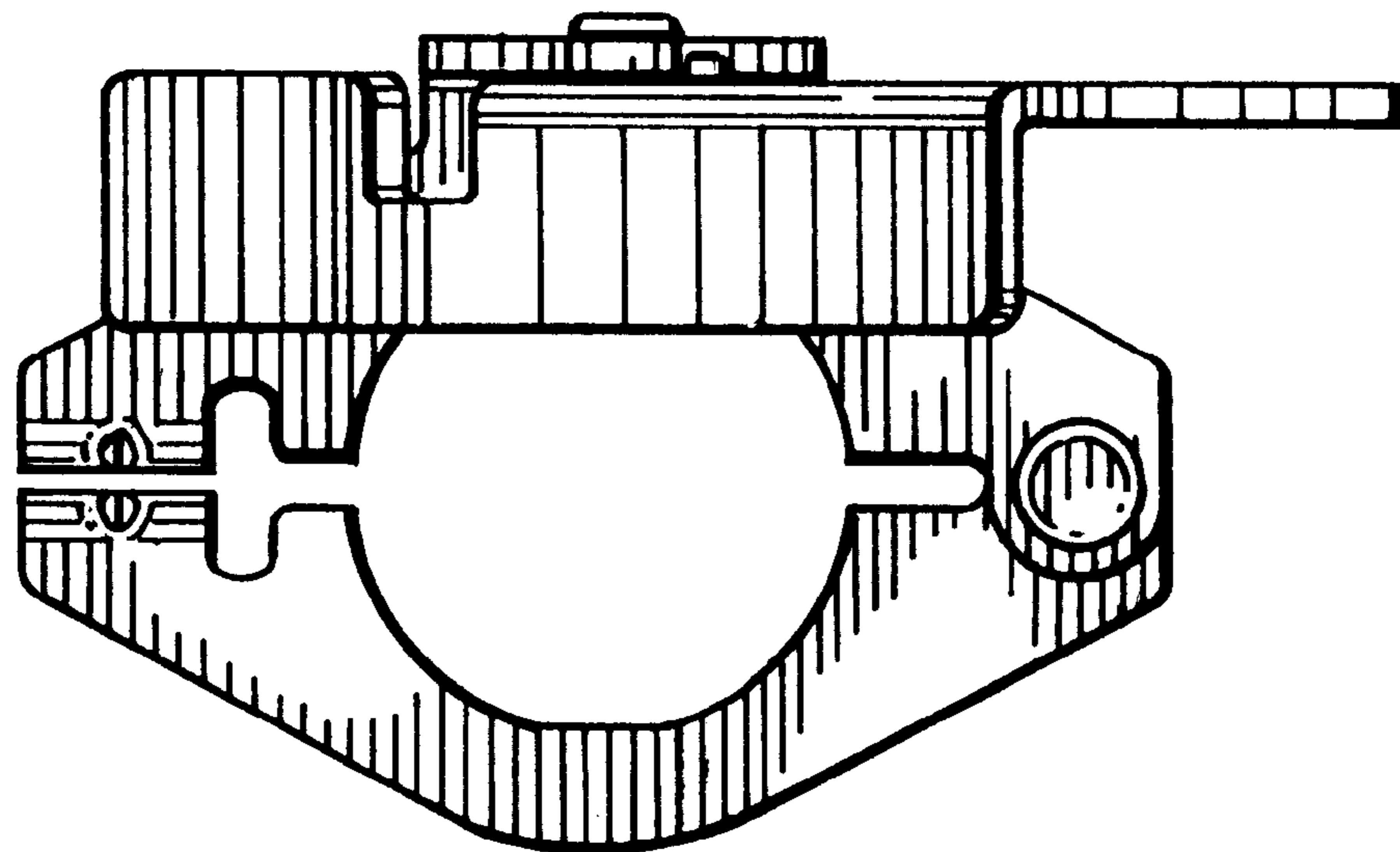


FIG. 8

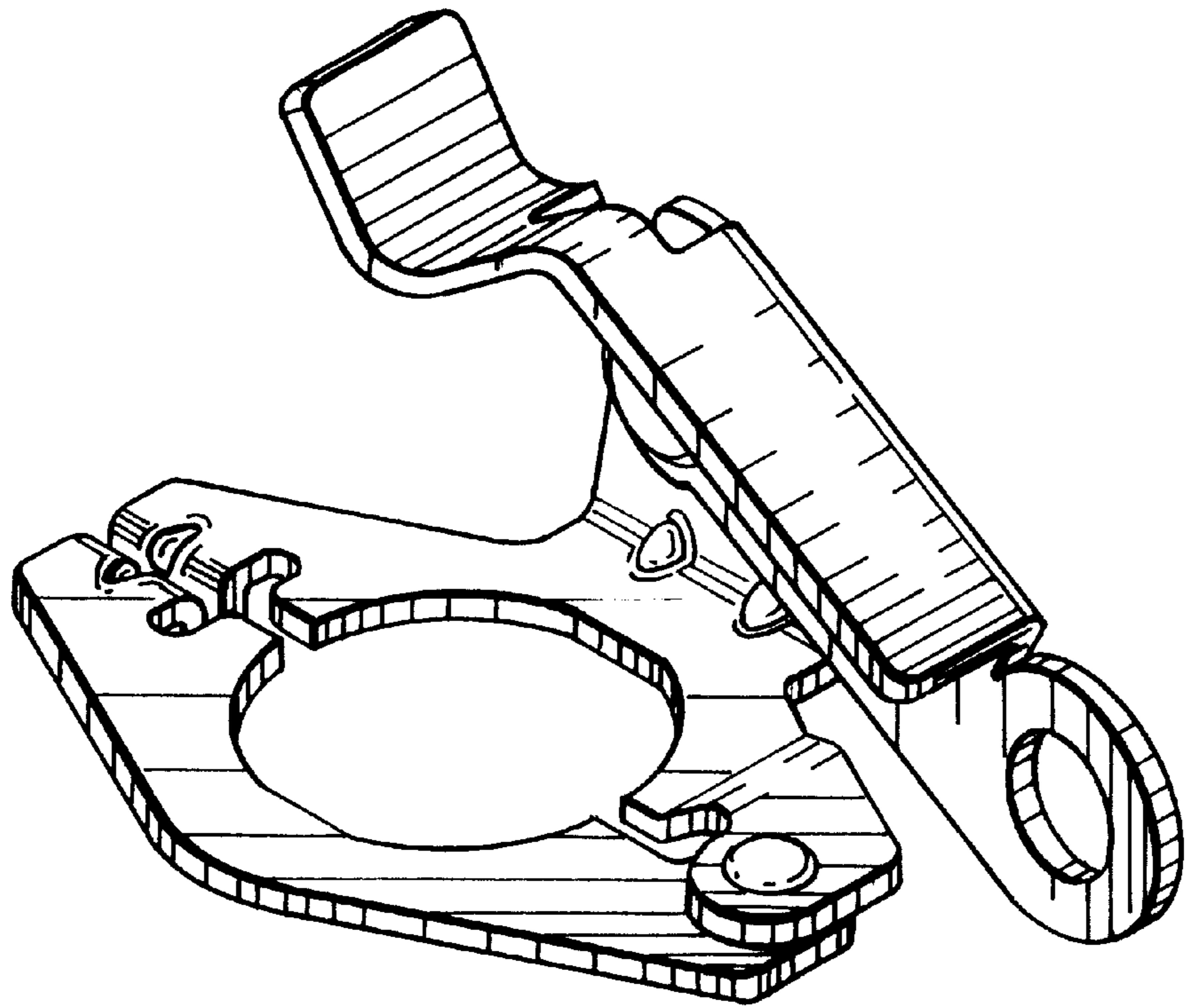


FIG. 9

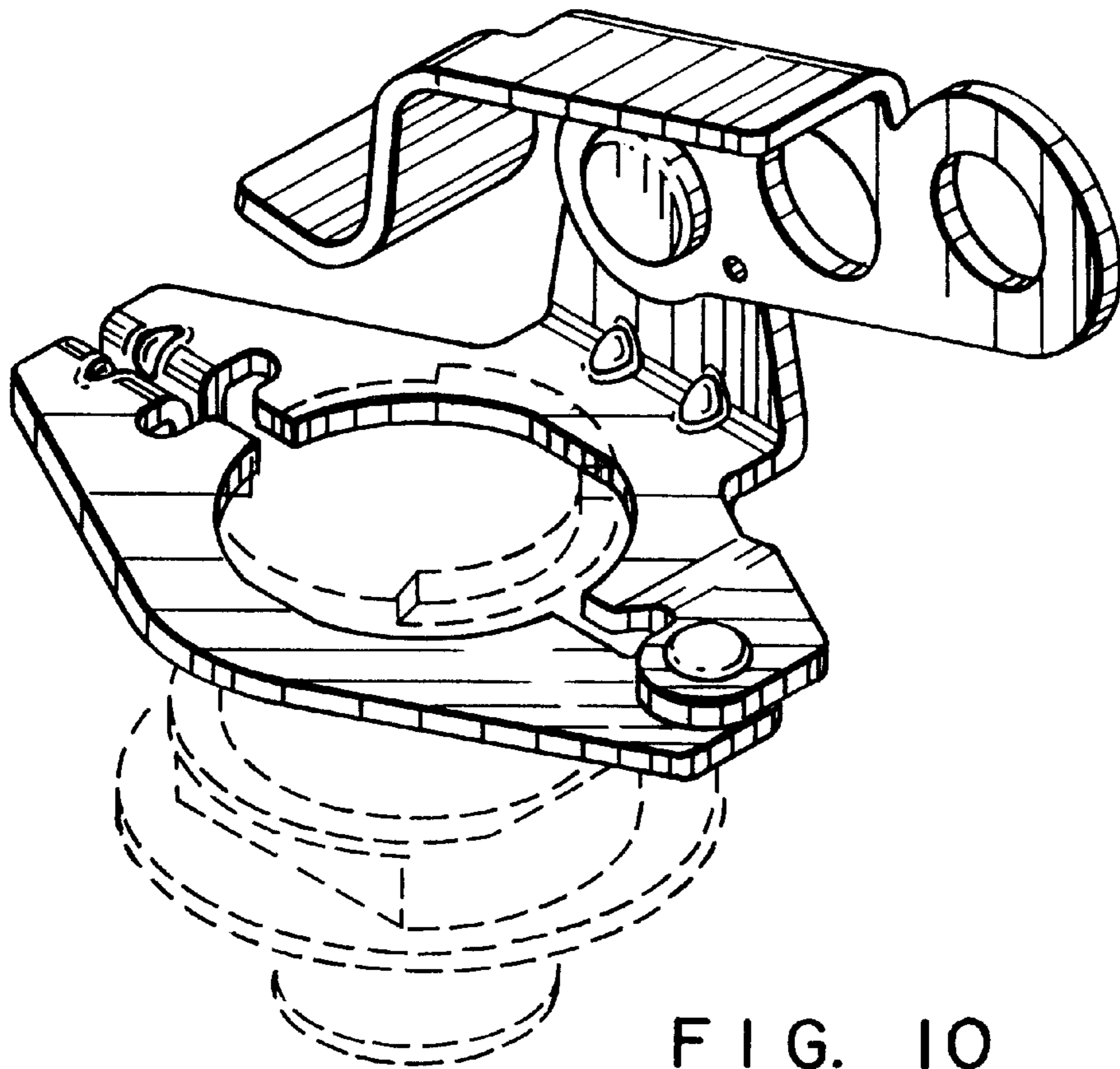


FIG. 10

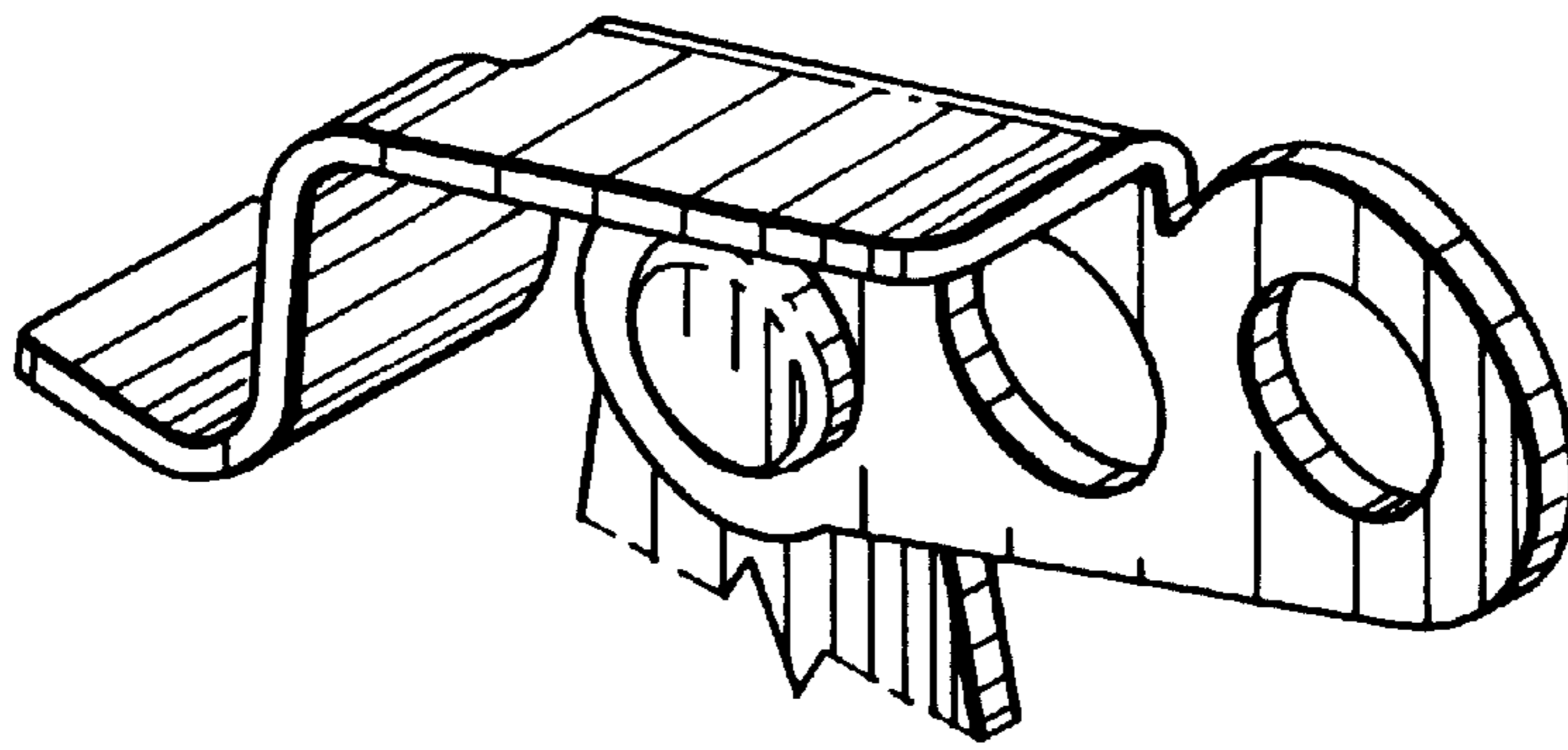


FIG. 11

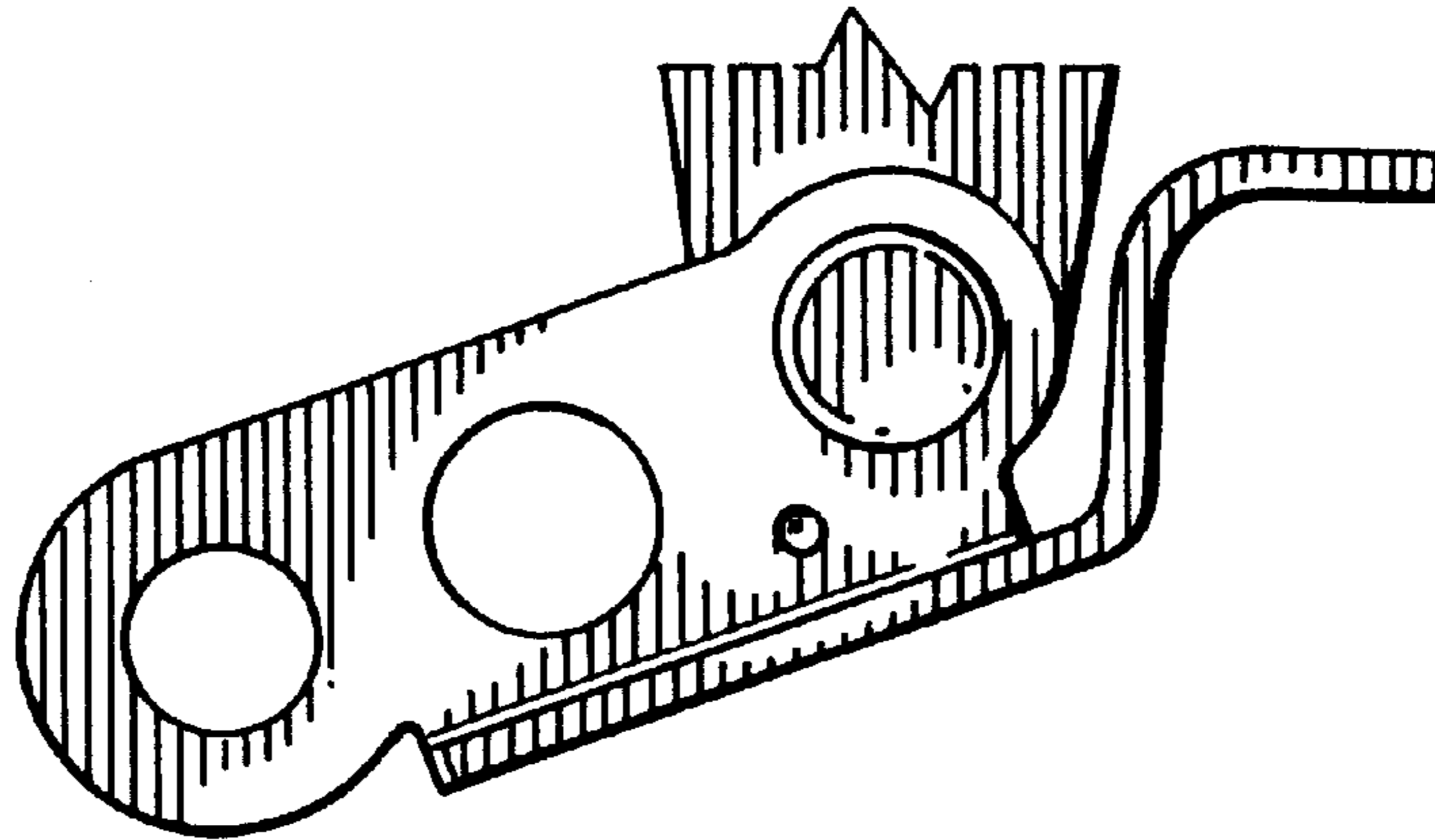


FIG. 12

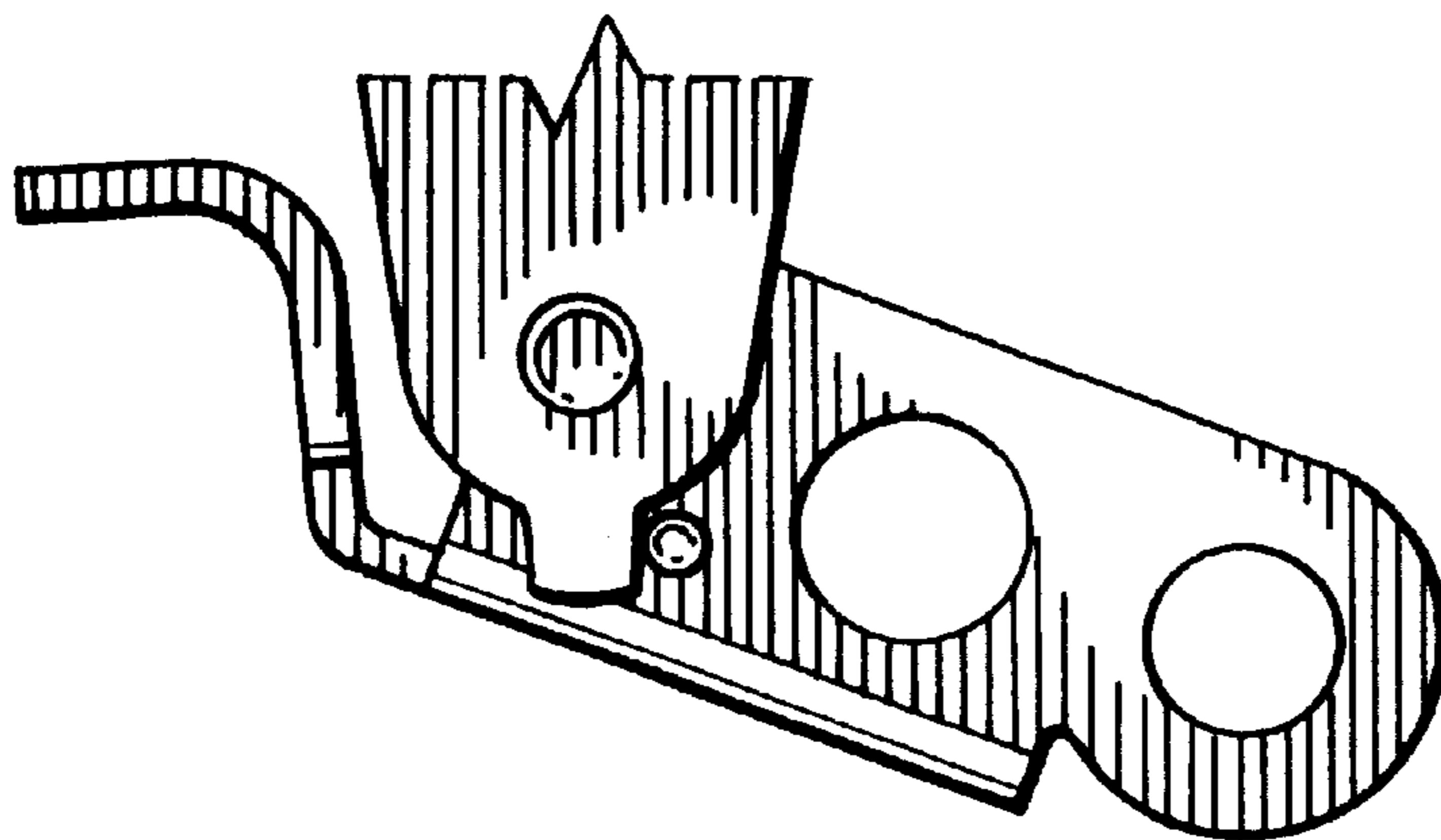


FIG. 13

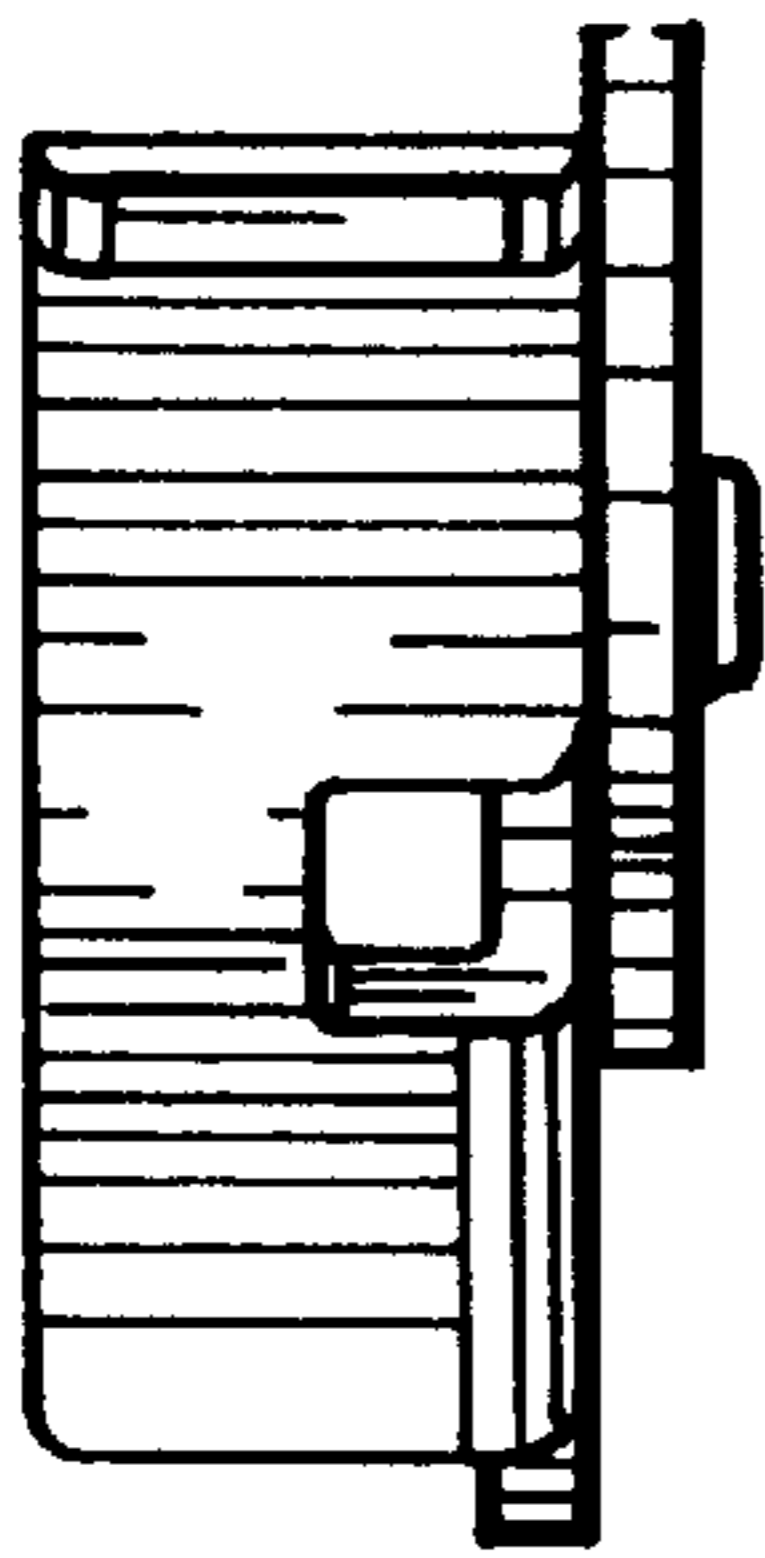


FIG. 14

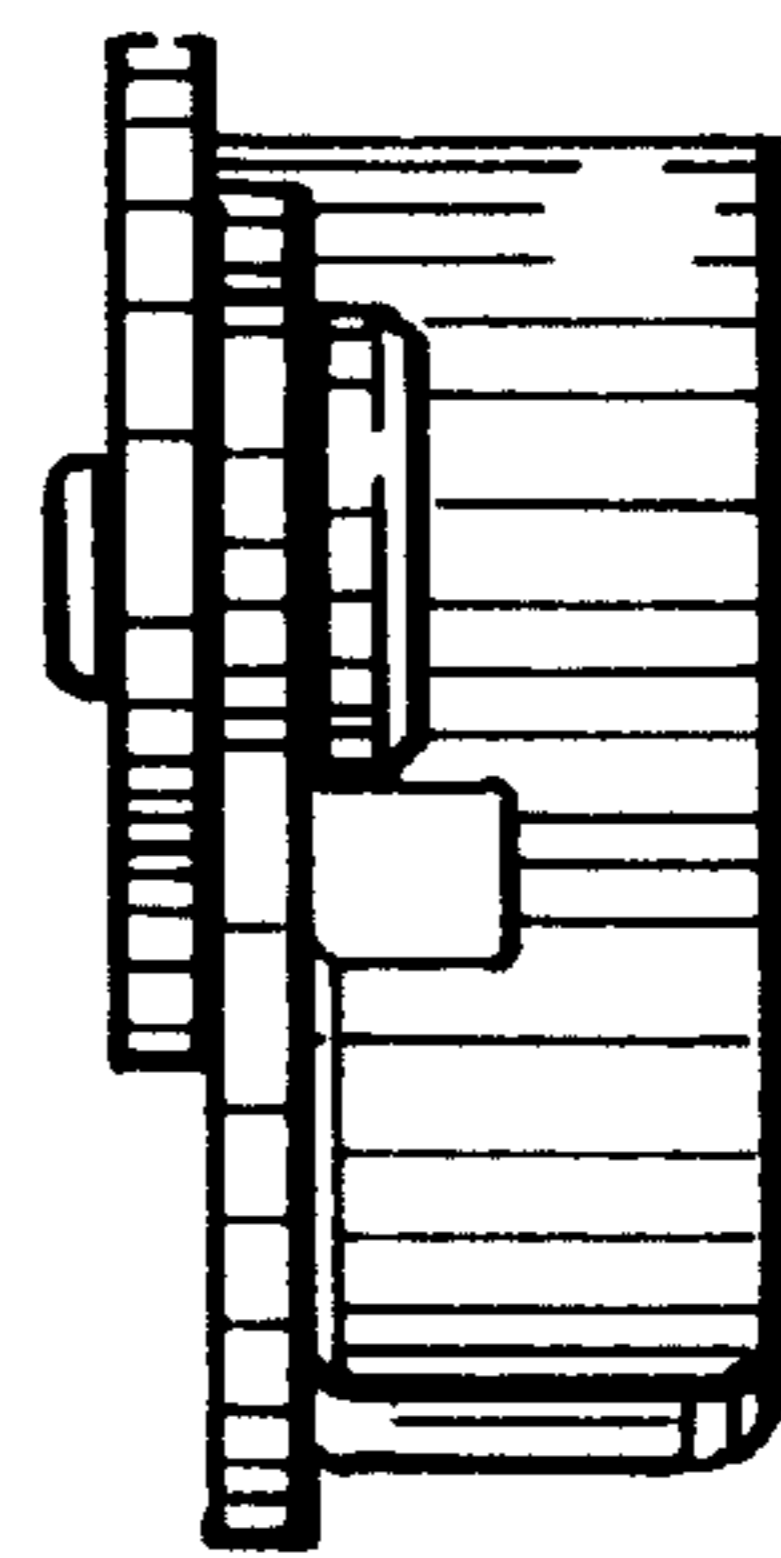


FIG. 15

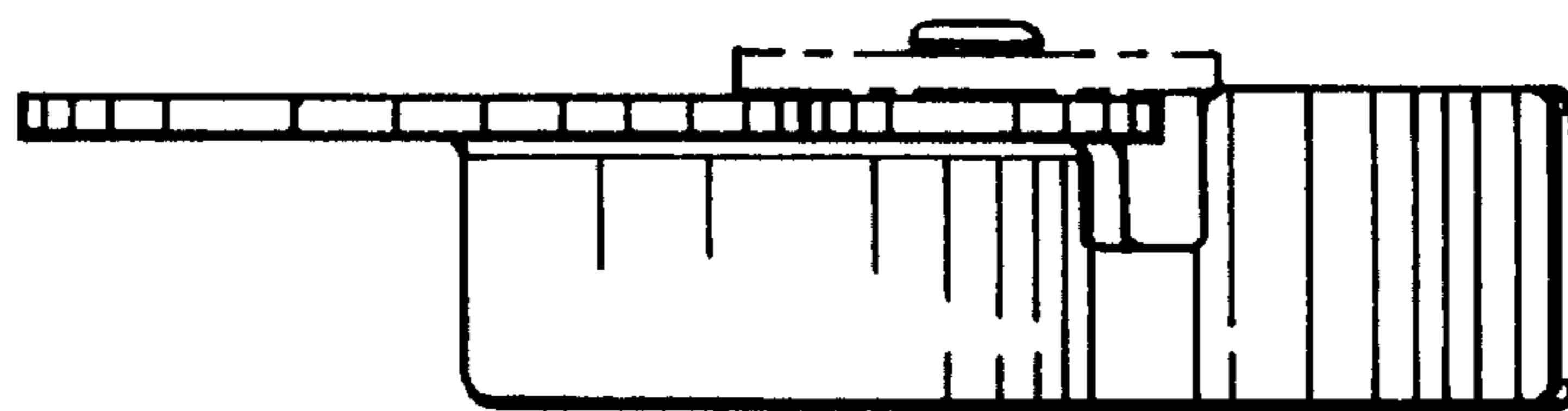


FIG. 16

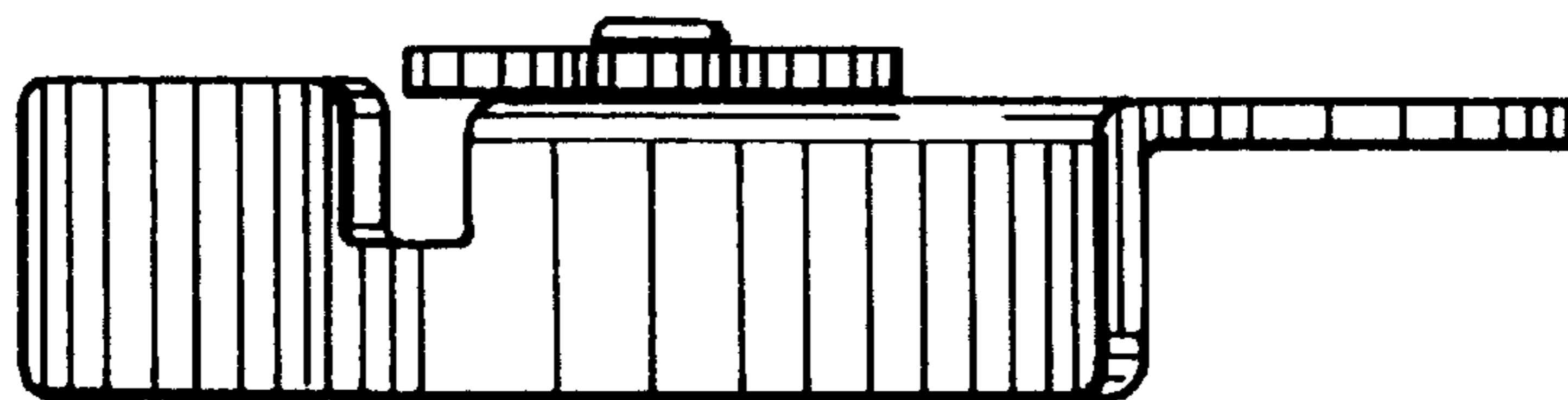


FIG. 17