



US00D471423S

(12) **United States Design Patent**
Ellis et al.

(10) **Patent No.:** **US D471,423 S**

(45) **Date of Patent:** **** Mar. 11, 2003**

(54) **DOOR HANDLESET**

D391,827 S * 3/1998 Carsello D8/302

(75) Inventors: **Phillip C. Ellis**, Reading, PA (US);
Rockwood T. Roberts, III, Shillington,
PA (US)

(73) Assignee: **Baldwin Hardware Corporation**,
Reading, PA (US)

(**) Term: **14 Years**

(21) Appl. No.: **29/164,934**

(22) Filed: **Aug. 1, 2002**

(51) **LOC (7) Cl.** **08-06**

(52) **U.S. Cl.** **D8/301; D8/317; D8/350;**
D8/353

(58) **Field of Search** D8/350, 352, 353,
D8/301, 302, 308, 316, 317, 338, 341;
16/402, 412; 70/207, 209, 450, 452; 292/347,
356, 357, 336.3

(56) **References Cited**

U.S. PATENT DOCUMENTS

- D173,482 S * 11/1954 Gehrie D8/341
- D300,203 S * 3/1989 Halsted et al. D8/302
- D318,214 S * 7/1991 Fleming et al. D8/301
- D351,980 S * 11/1994 Molteni D8/302

OTHER PUBLICATIONS

Magnum Hardware Catalog; p. 9; handle 2605.*
National Lock Hardware Catalog; ; p. 8; handleset 6513-3.*

* cited by examiner

Primary Examiner—B. J. Bullock

(74) *Attorney, Agent, or Firm*—Lloyd D. Doigan

(57) **CLAIM**

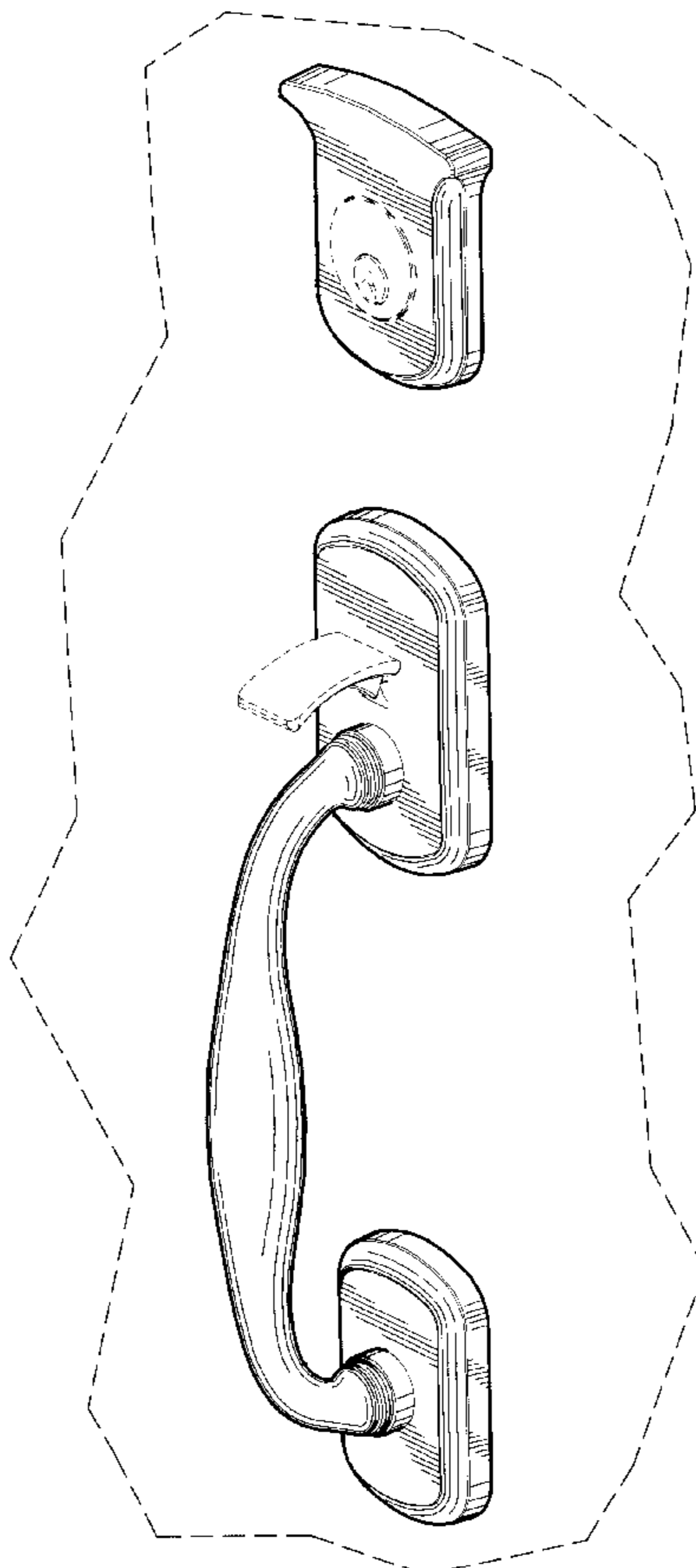
The ornamental design for a door handleset, as shown and described.

DESCRIPTION

FIG. 1 is a perspective view of the door handleset showing our new design;
FIG. 2 is a front elevational view thereof;
FIG. 3 is a right side elevational view thereof;
FIG. 4 is a left side elevational view thereof;
FIG. 5 is a bottom plan view thereof;
FIG. 6 is a top plan view thereof; and,
FIG. 7 is a rear perspective view thereof.

The broken line showing of the thumb piece, the cylinder and the portion of the wall in FIG. 1 are for purposes of illustration only and form no part of the claimed design.

1 Claim, 6 Drawing Sheets



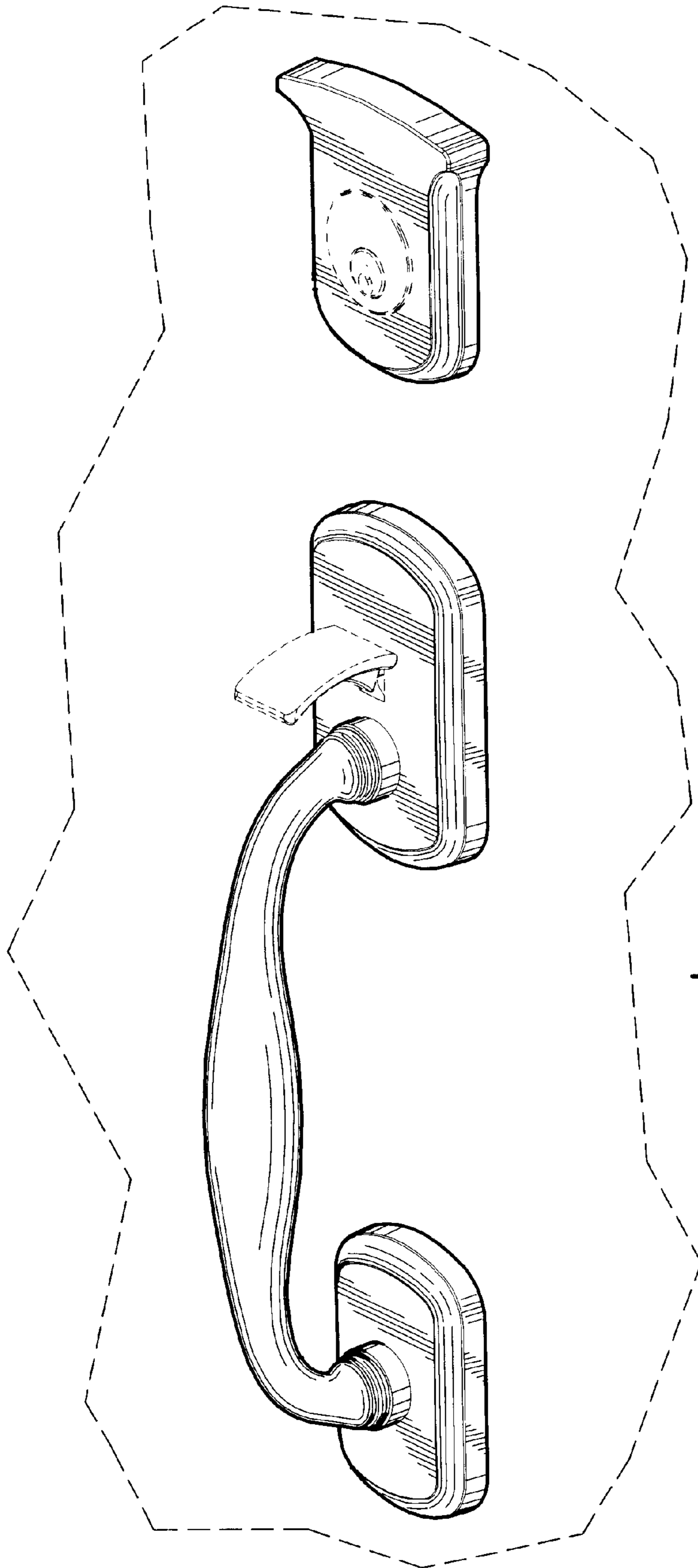


Figure - 1

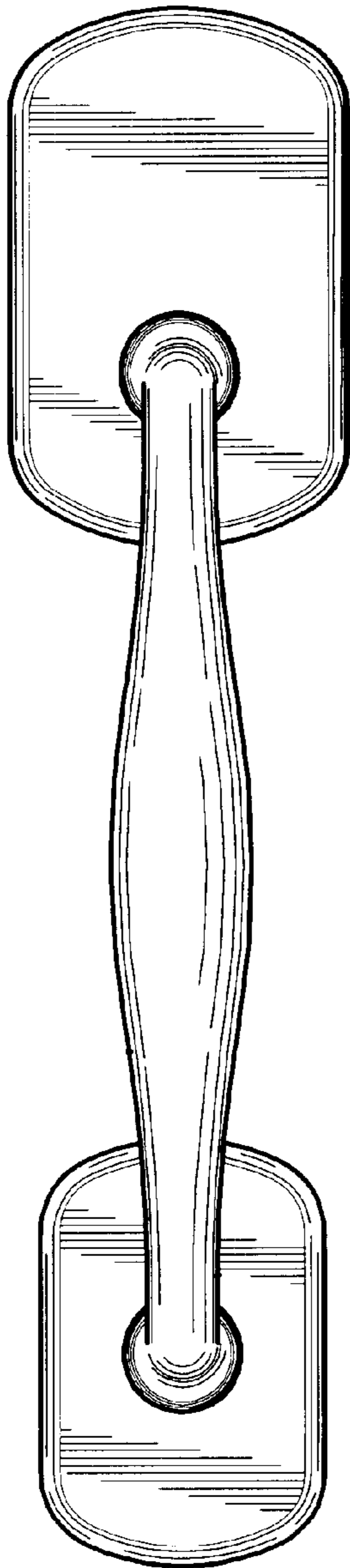
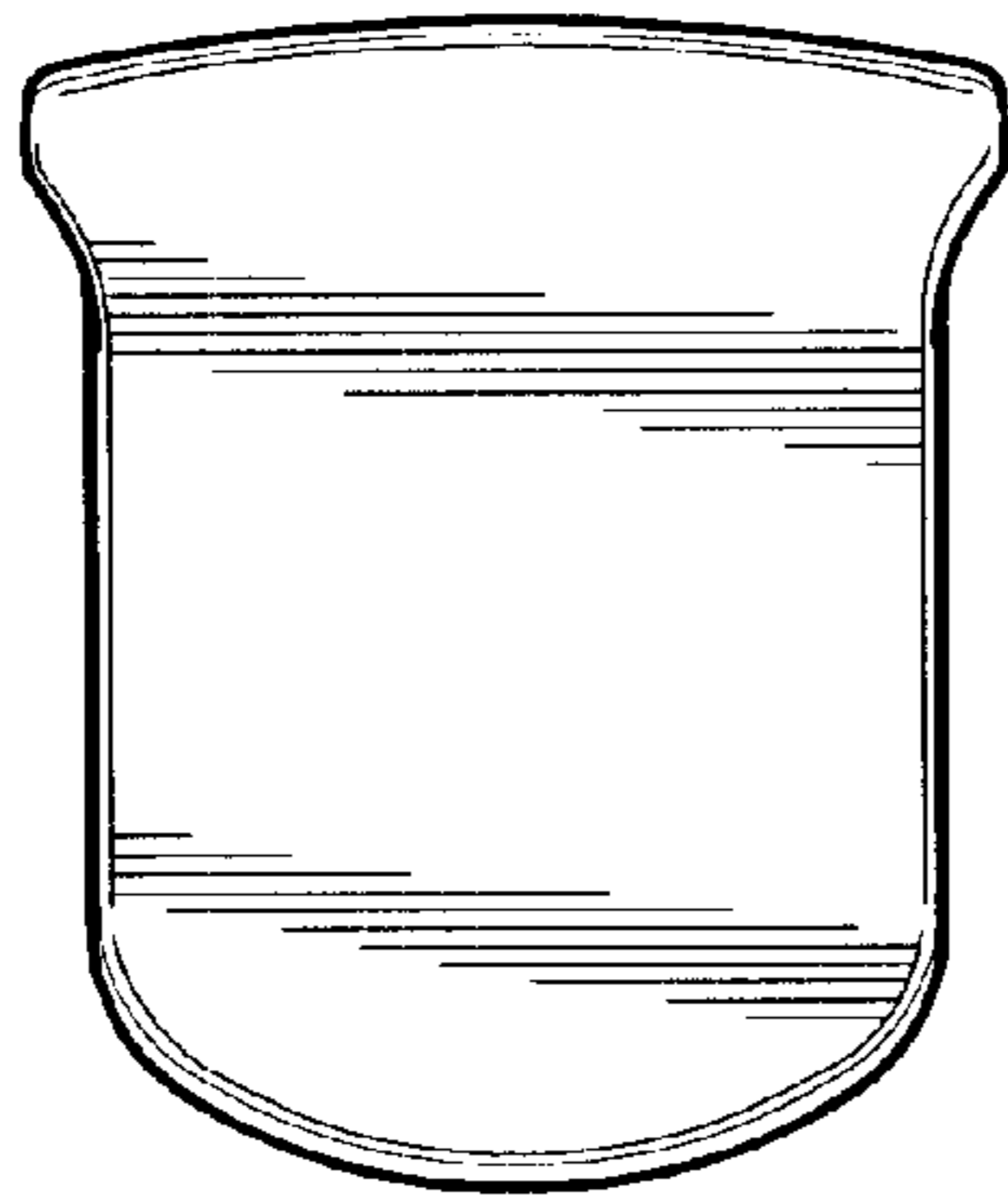


Figure - 2

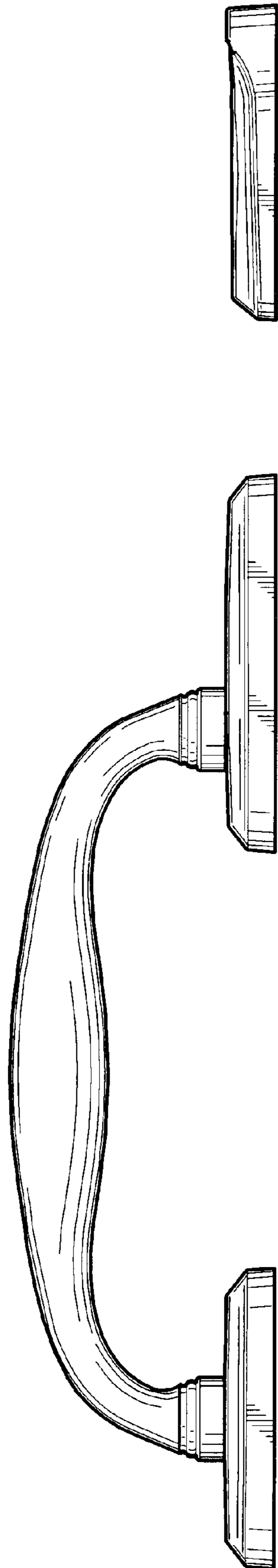


Figure - 3

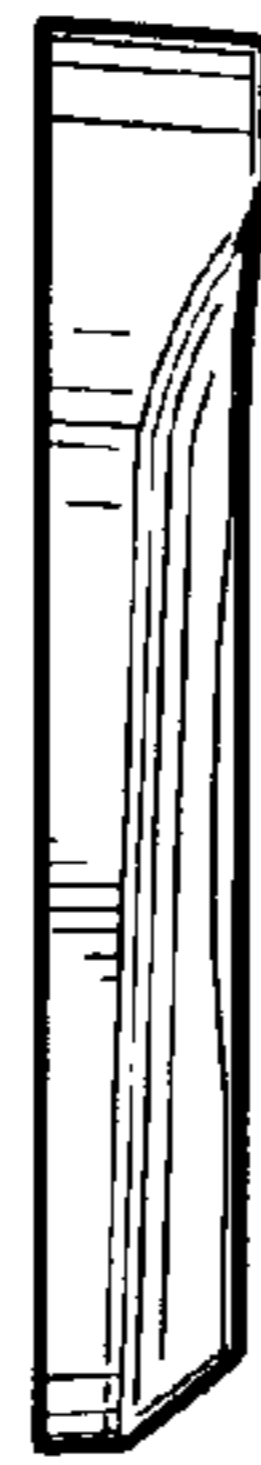


Figure - 4

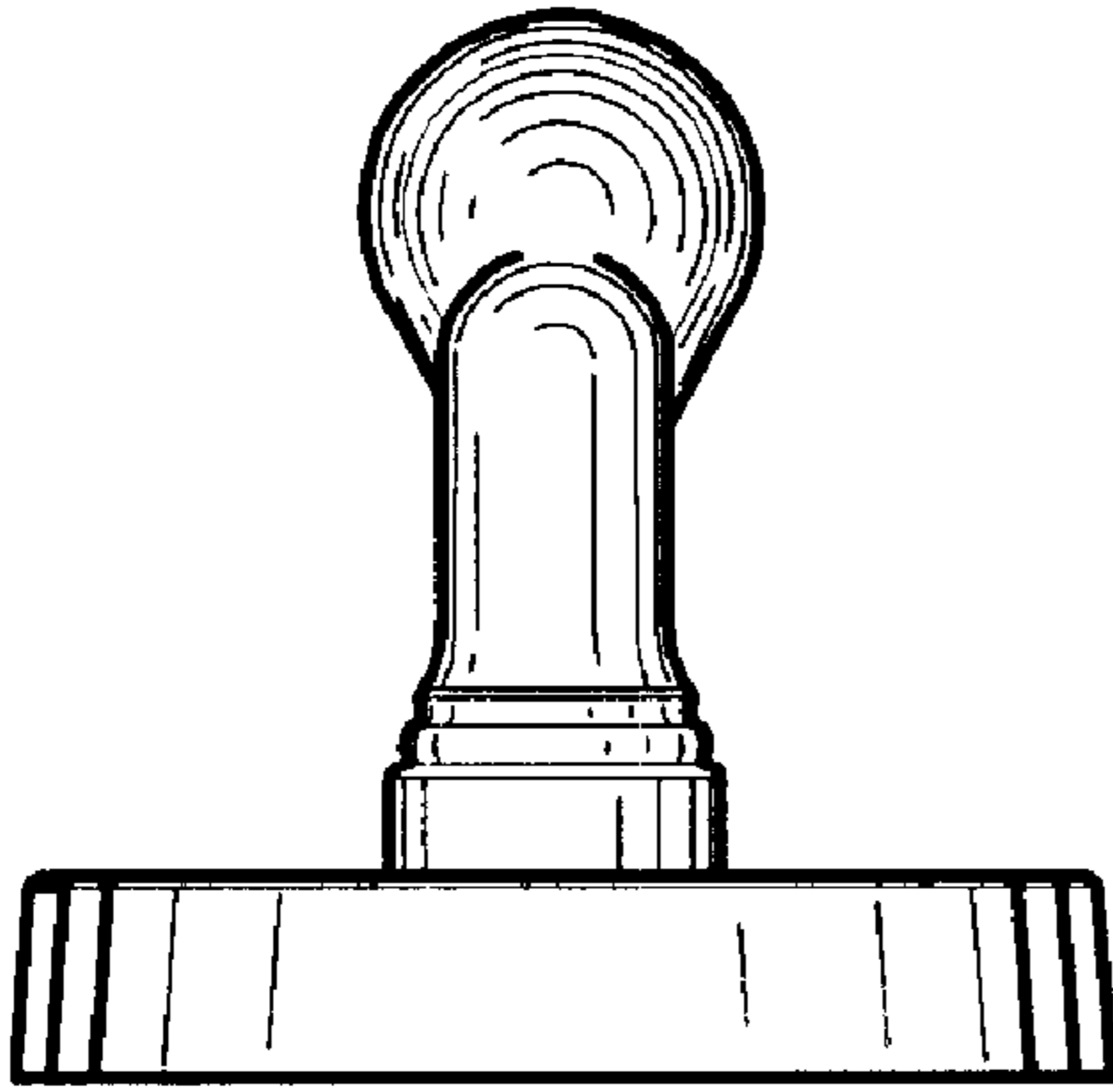


Figure - 5

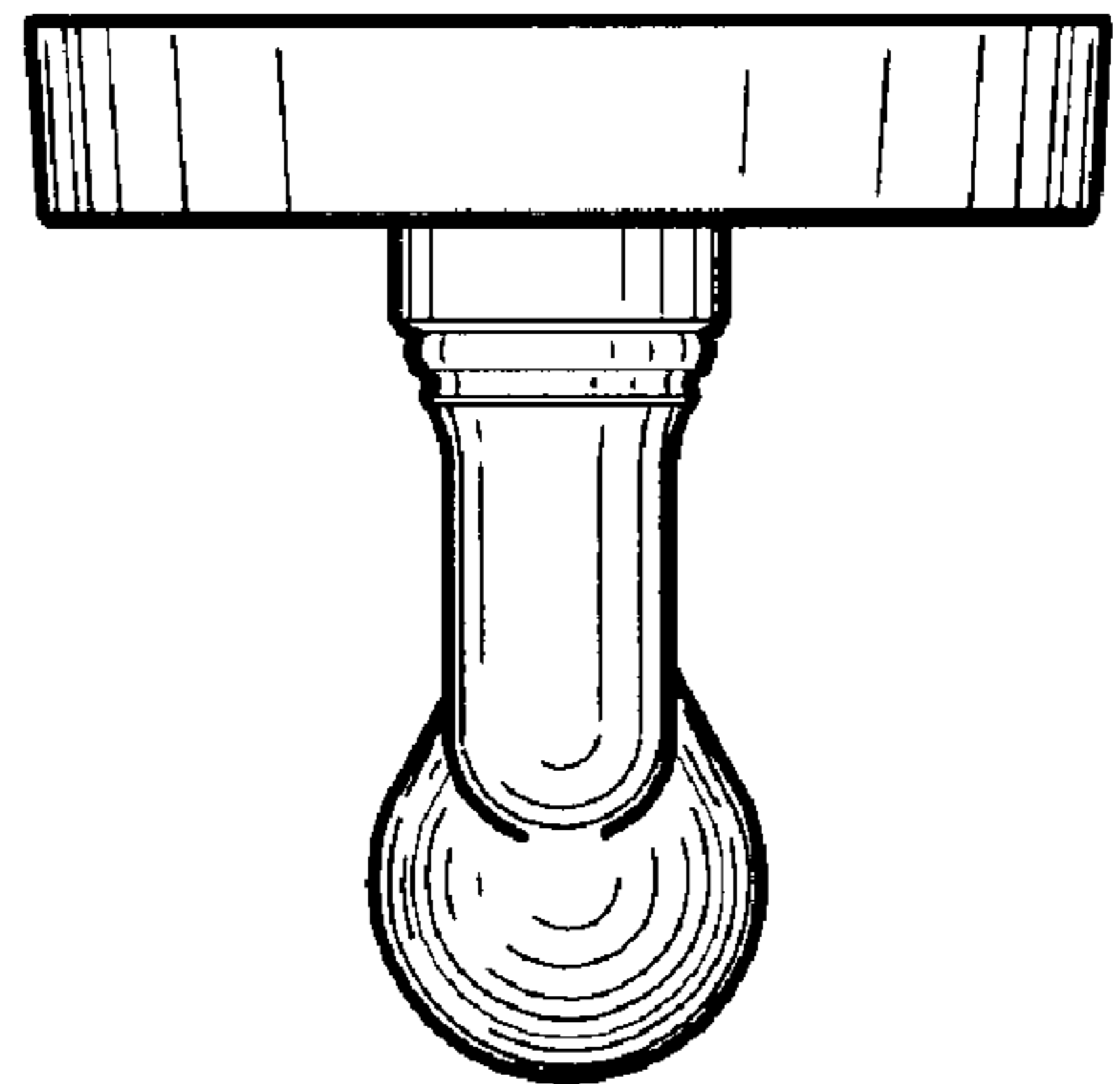


Figure - 6

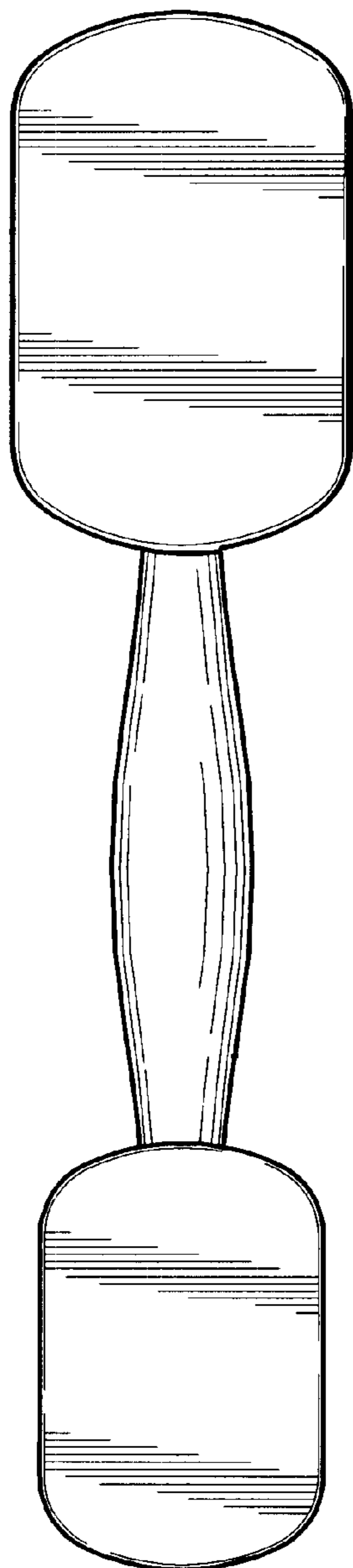
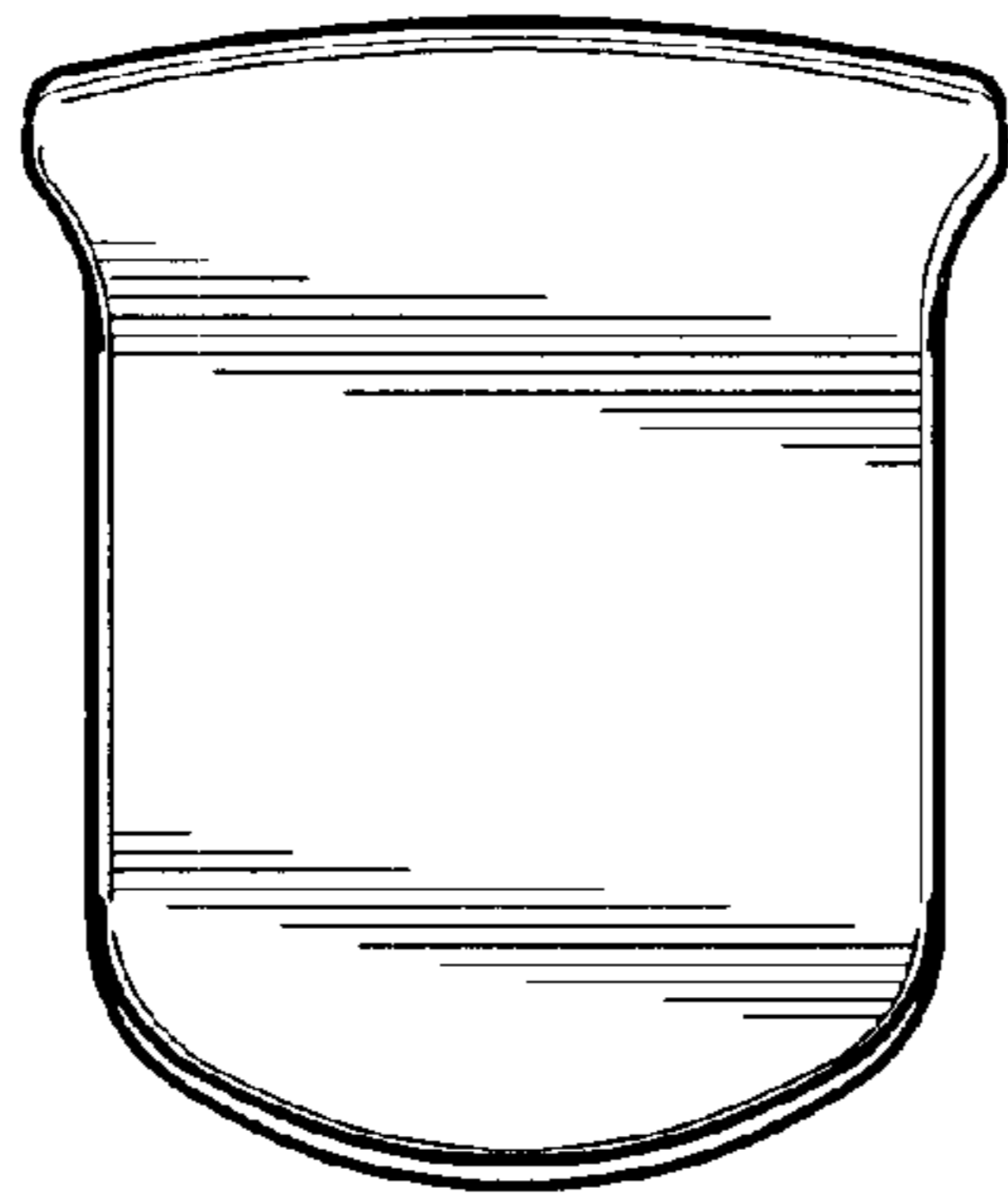


Figure - 7