



US00D471418S

(12) **United States Design Patent**
Chunn et al.

(10) **Patent No.: US D471,418 S**

(45) **Date of Patent: ** *Mar. 11, 2003**

(54) **CORDLESS RECIPROCATING SAW**

6,272,757 B1 * 8/2001 Roe 30/377
6,296,065 B1 * 10/2001 Carrier 173/217
D456,233 S * 4/2002 Main D8/64

(75) Inventors: **Daniel Alex Chunn**, Kowloon (HK);
David Wai Wah Ng, Yuen Long (HK)

* cited by examiner

(73) Assignee: **One World Technologies Limited**
(BM)

Primary Examiner—Doris V. Coles
Assistant Examiner—Elizabeth A. Albert
(74) *Attorney, Agent, or Firm*—Brooks & Kushman P.C.

(*) Notice: This patent is subject to a terminal disclaimer.

(57) **CLAIM**

(**) Term: **14 Years**

The ornamental design for a cordless reciprocating saw, as shown and described.

(21) Appl. No.: **29/154,753**

DESCRIPTION

(22) Filed: **Jan. 28, 2002**

(51) **LOC (7) Cl.** **08-03**

(52) **U.S. Cl.** **D8/64**

(58) **Field of Search** D8/61, 62, 63,
D8/64, 66, 67, 68, 69, 70; 30/374, 375,
376, 377, 388, 389, 390, 391, 392, 393,
394; 173/15, 47, 48, 109, 169, 170, 216,
217; 310/50

FIG. 1 is a perspective view of a cordless reciprocating saw;
FIG. 2 is a top plan view thereof;
FIG. 3 is a bottom plan view thereof;
FIG. 4 is a right side elevational view thereof;
FIG. 5 is a left side elevational view thereof;
FIG. 6 is a front elevational view thereof; and,
FIG. 7 is a rear elevational view thereof of the present invention.

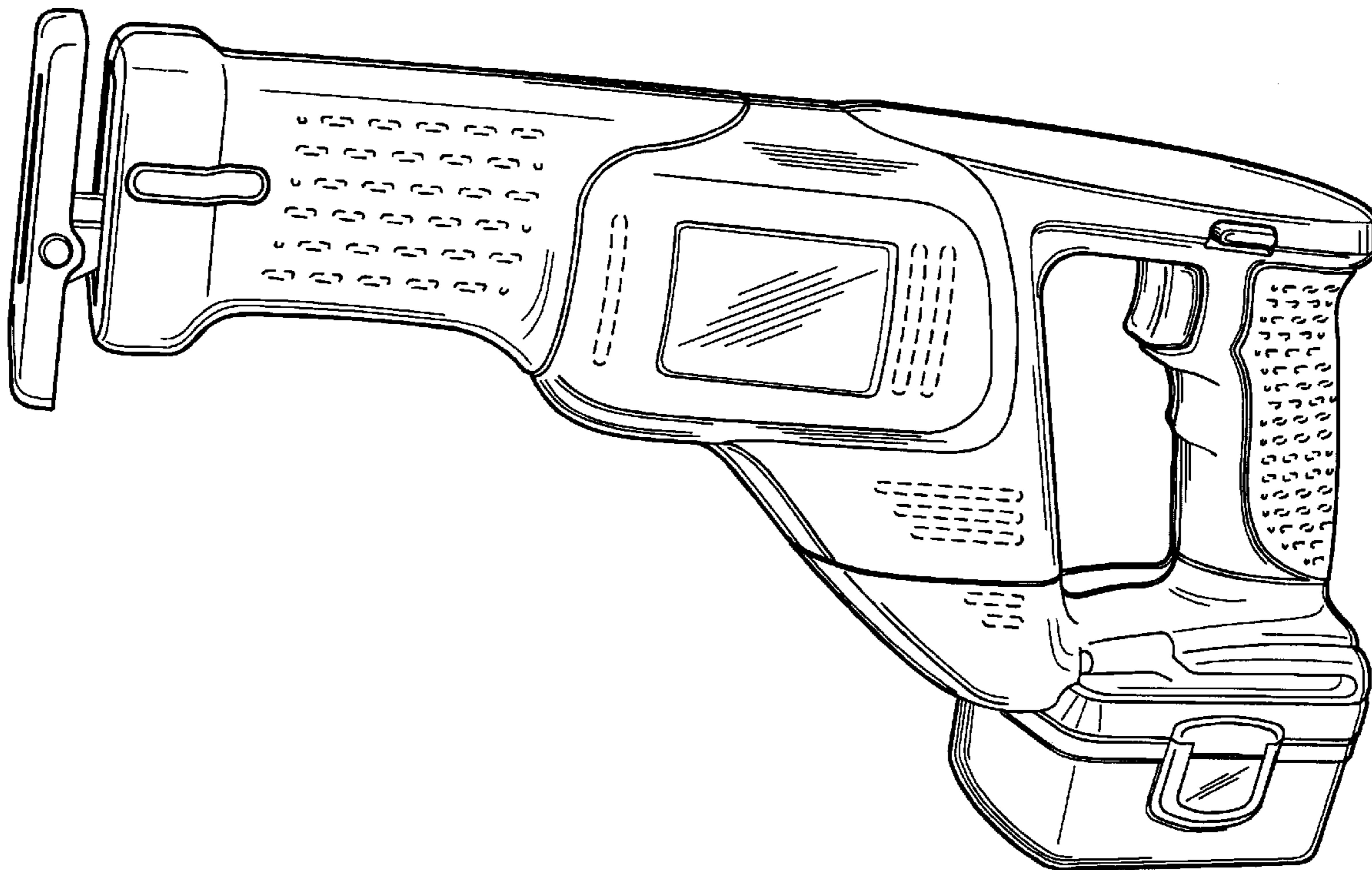
The broken lines showing environment in the drawings are for illustrative purposes only and form no part of the claimed design.

(56) **References Cited**

U.S. PATENT DOCUMENTS

D434,627 S * 12/2000 Buck D8/69

1 Claim, 3 Drawing Sheets



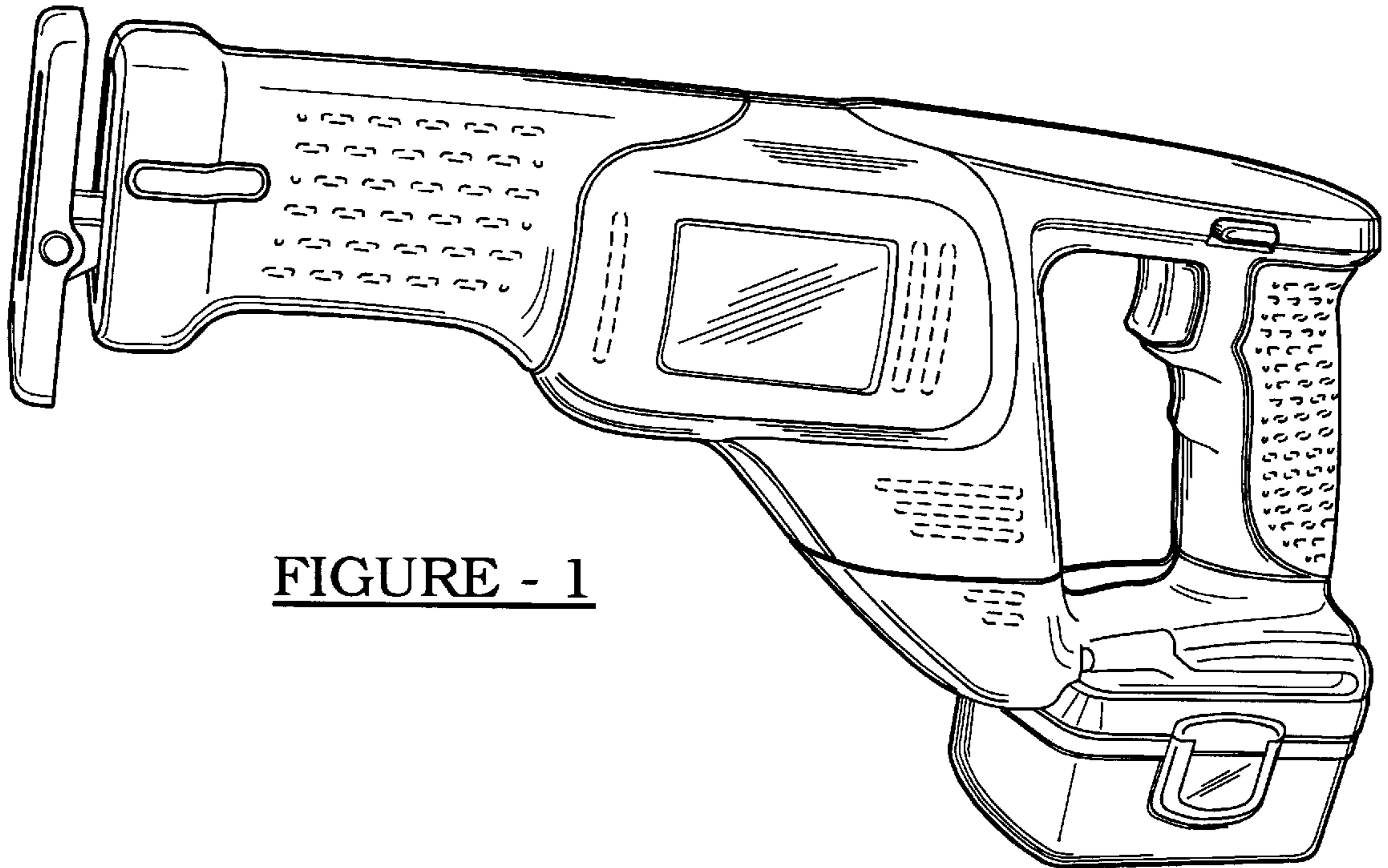


FIGURE - 1

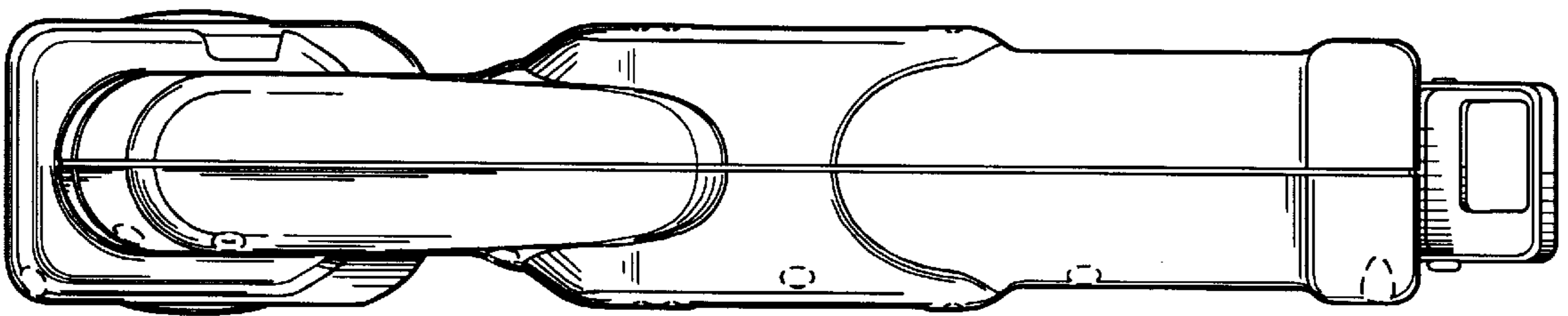


FIGURE - 2

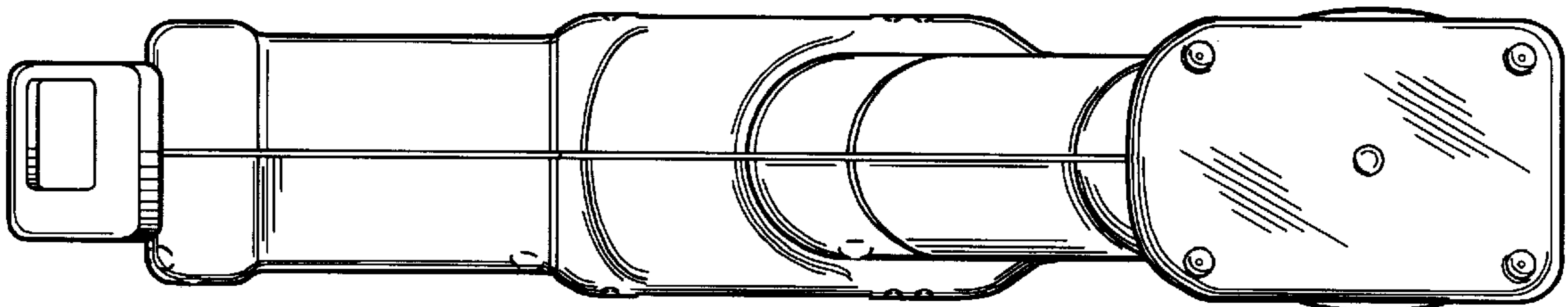


FIGURE - 3

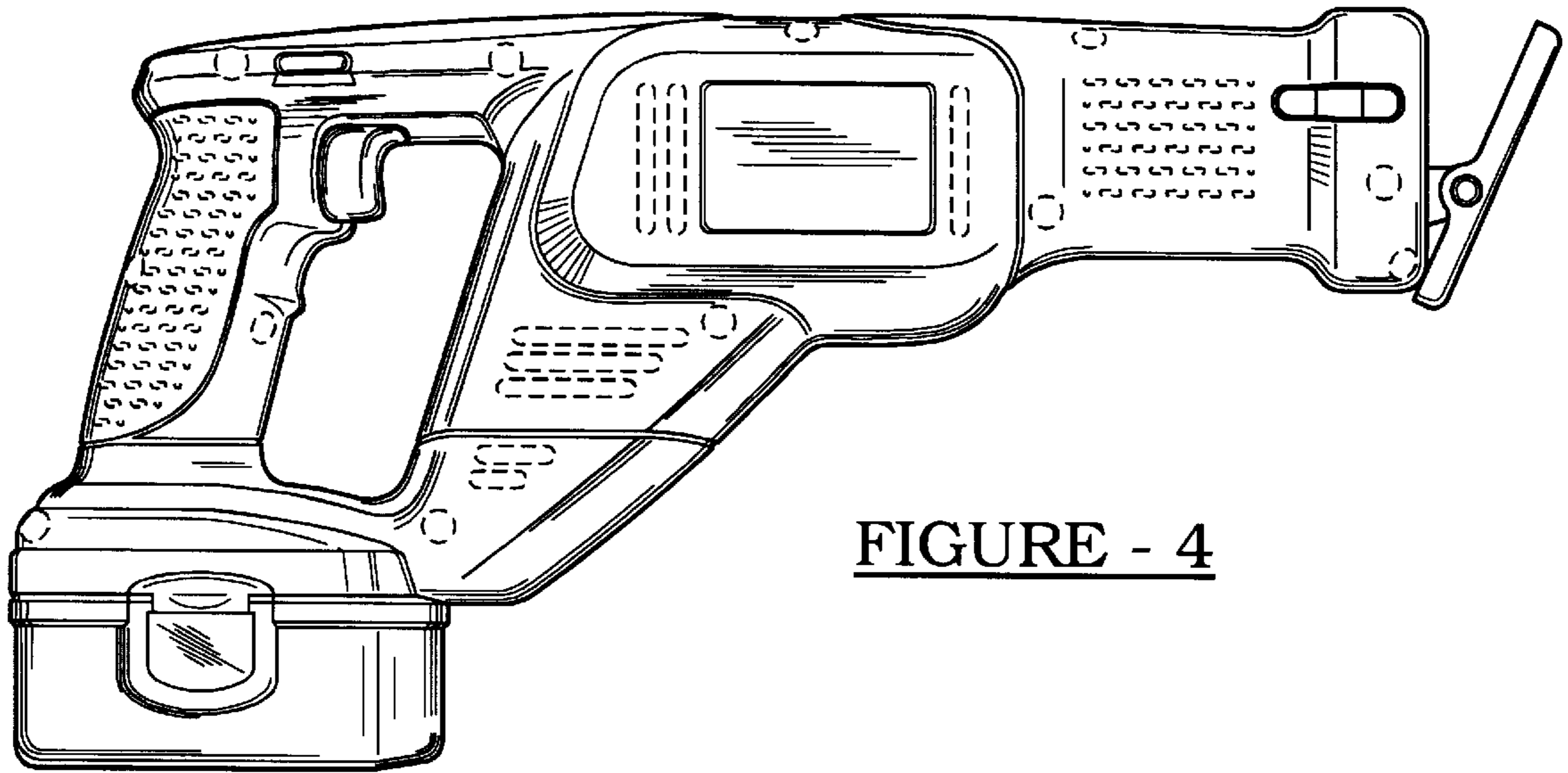


FIGURE - 4

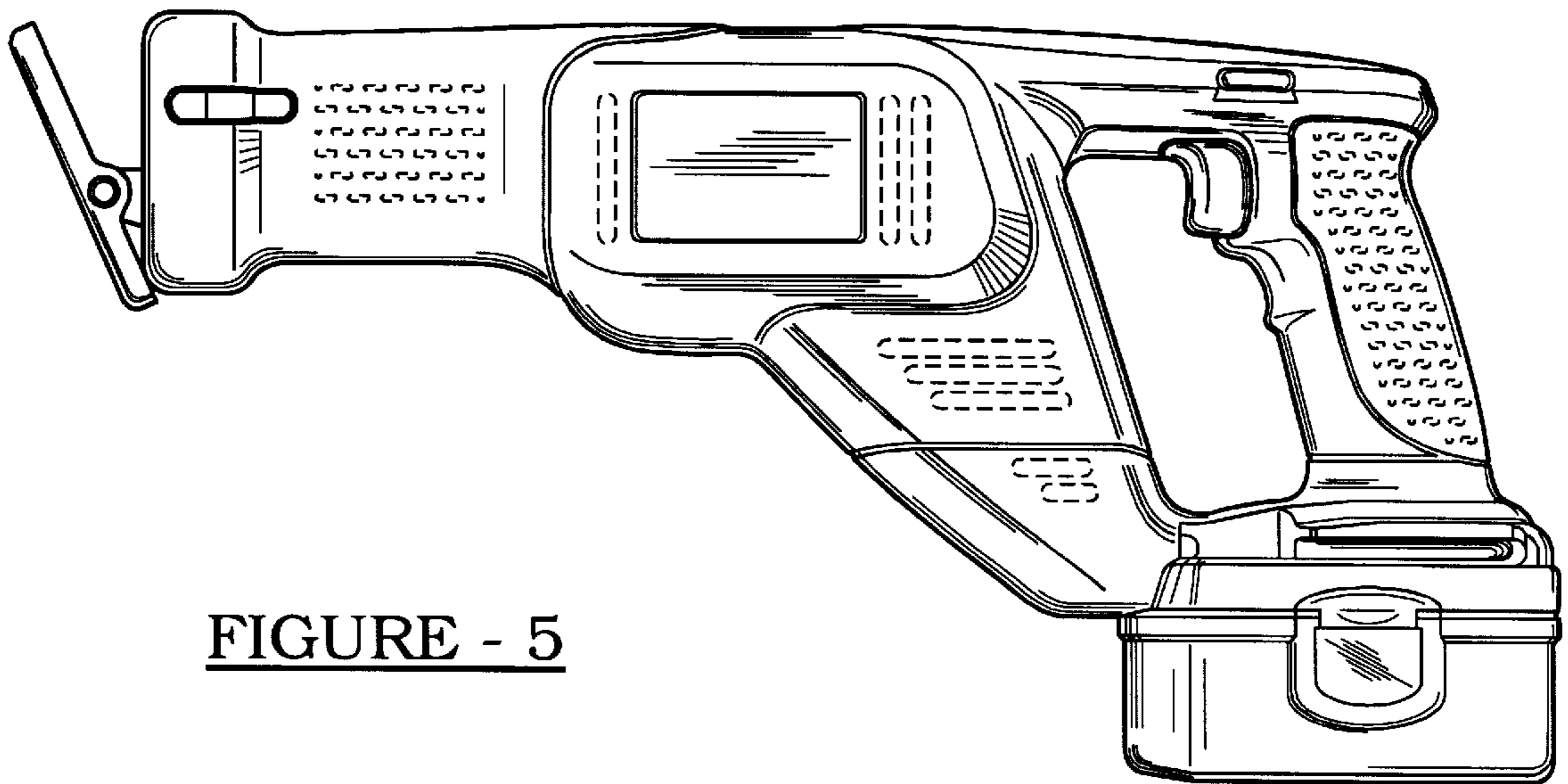


FIGURE - 5

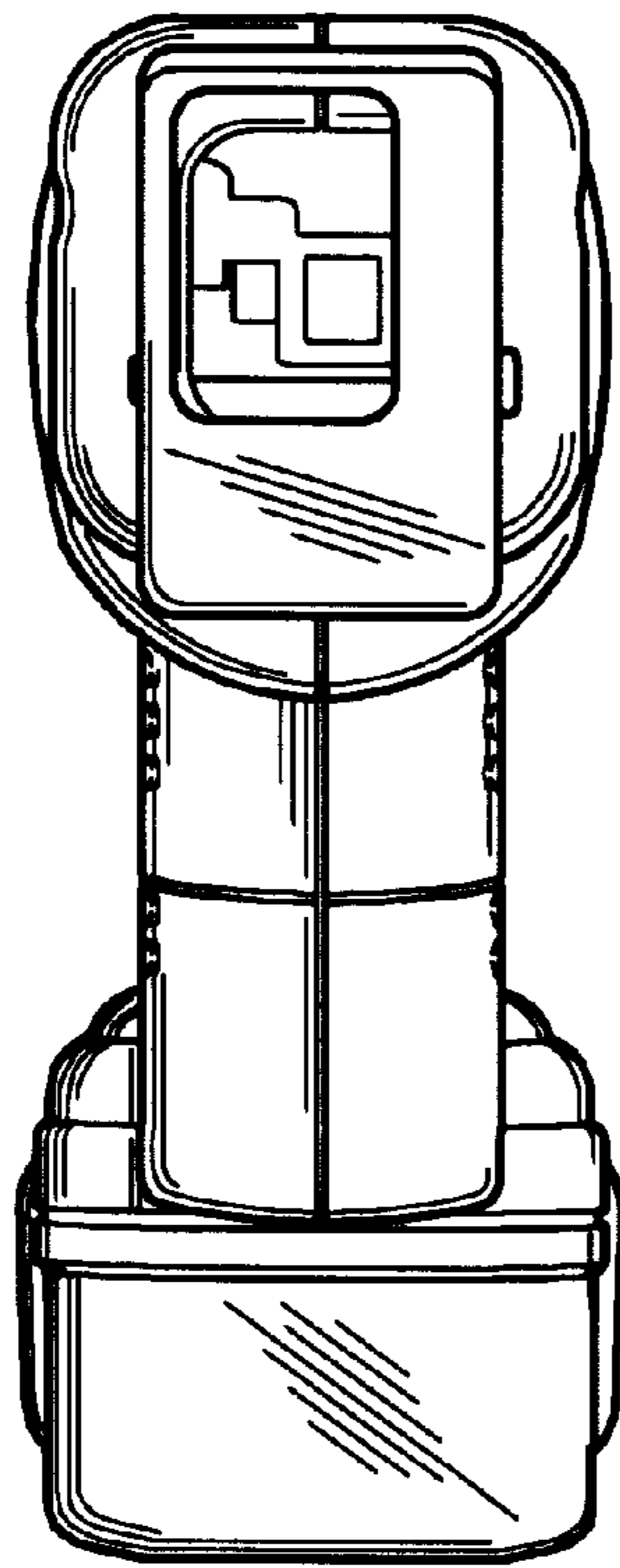


FIGURE - 6

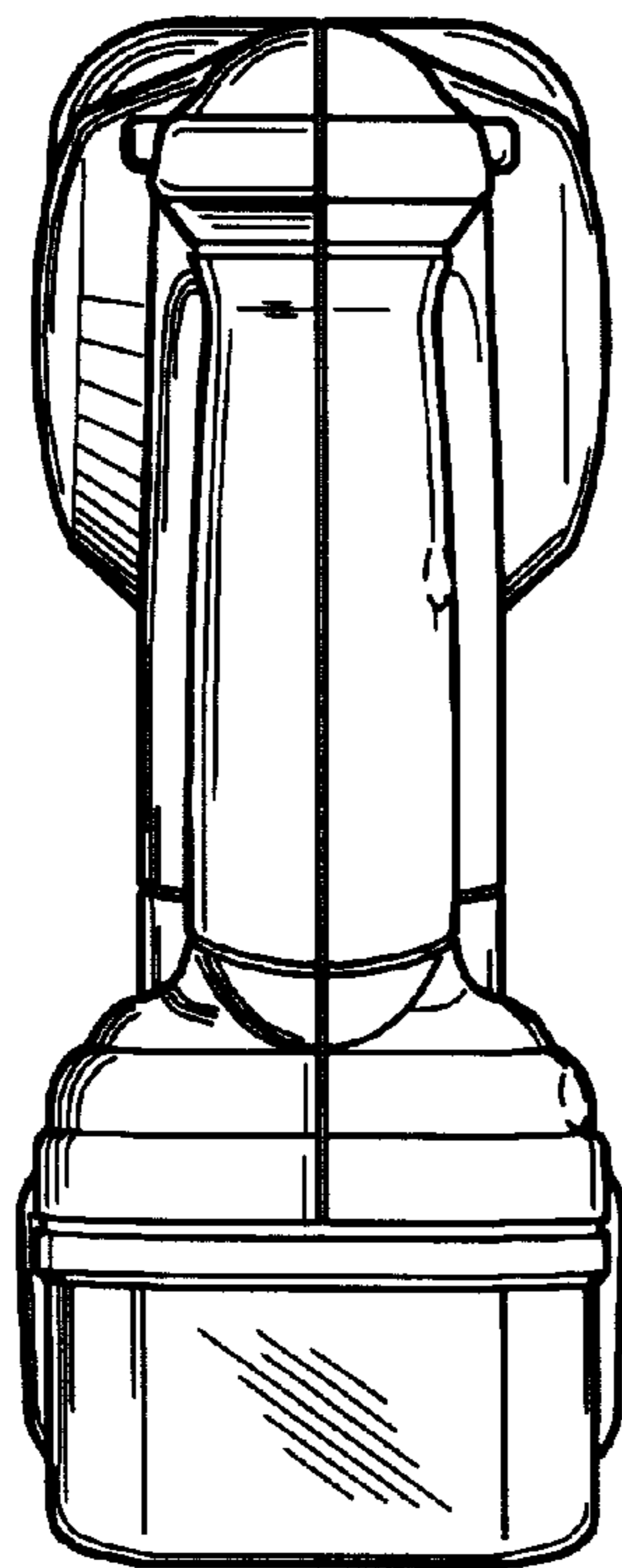


FIGURE - 7