



US00D471417S

(12) **United States Design Patent**
Chunn et al.

(10) **Patent No.:** **US D471,417 S**
(45) **Date of Patent:** **** Mar. 11, 2003**

(54) **CORDLESS RECIPROCATING SAW**

(75) Inventors: **Daniel Alex Chunn**, Kowloon (HK);
David Wai Wah Ng, Yuen Long (HK)

(73) Assignee: **One World Technologies Limited**
(BM)

(**) Term: **14 Years**

(21) Appl. No.: **29/154,752**

(22) Filed: **Jan. 28, 2002**

(51) **LOC (7) Cl.** **08-03**

(52) **U.S. Cl.** **D8/64**

(58) **Field of Search** D8/61, 62, 63,
D8/64, 66, 67, 68, 69, 70; 30/374, 375,
376, 377, 388, 389, 390, 391, 392, 393,
394; 173/15, 47, 48, 109, 169, 170, 216,
217; 310/50

(56) **References Cited**

U.S. PATENT DOCUMENTS

2,824,455	A	2/1958	Ristow et al.	
4,550,501	A	11/1985	Moore, Jr. et al.	
4,884,344	A	12/1989	Martinez et al.	
D327,829	S	7/1992	Mochida	
D339,510	S	9/1993	Sakamoto et al.	
5,598,636	A	2/1997	Stolzer	
D401,128	S	11/1998	Zurwelle	
D408,699	S	4/1999	Zurwelle	
5,940,977	A	8/1999	Moore, Jr.	
D416,180	S	11/1999	Sakai et al.	
D428,786	S	8/2000	Hayakawa et al.	
D434,627	S	* 12/2000	Buck	D8/69

D440,849	S	4/2001	Sakai et al.	
D440,851	S	4/2001	Sakai et al.	
6,272,757	B1	* 8/2001	Roe	30/377
D447,924	S	9/2001	Neitzell et al.	
6,296,065	B1	* 10/2001	Carrier	173/217
D456,233	S	* 4/2002	Main	D8/64

OTHER PUBLICATIONS

Andrew Wormer, "Cordless Reciprocating Saws Almost Come of Age," *Fine Homebuilding*, Oct./Nov. 2001, pp. 70-77.

* cited by examiner

Primary Examiner—Doris V. Coles

Assistant Examiner—Elizabeth A. Albert

(74) *Attorney, Agent, or Firm*—Brooks & Kushman P.C.

(57) **CLAIM**

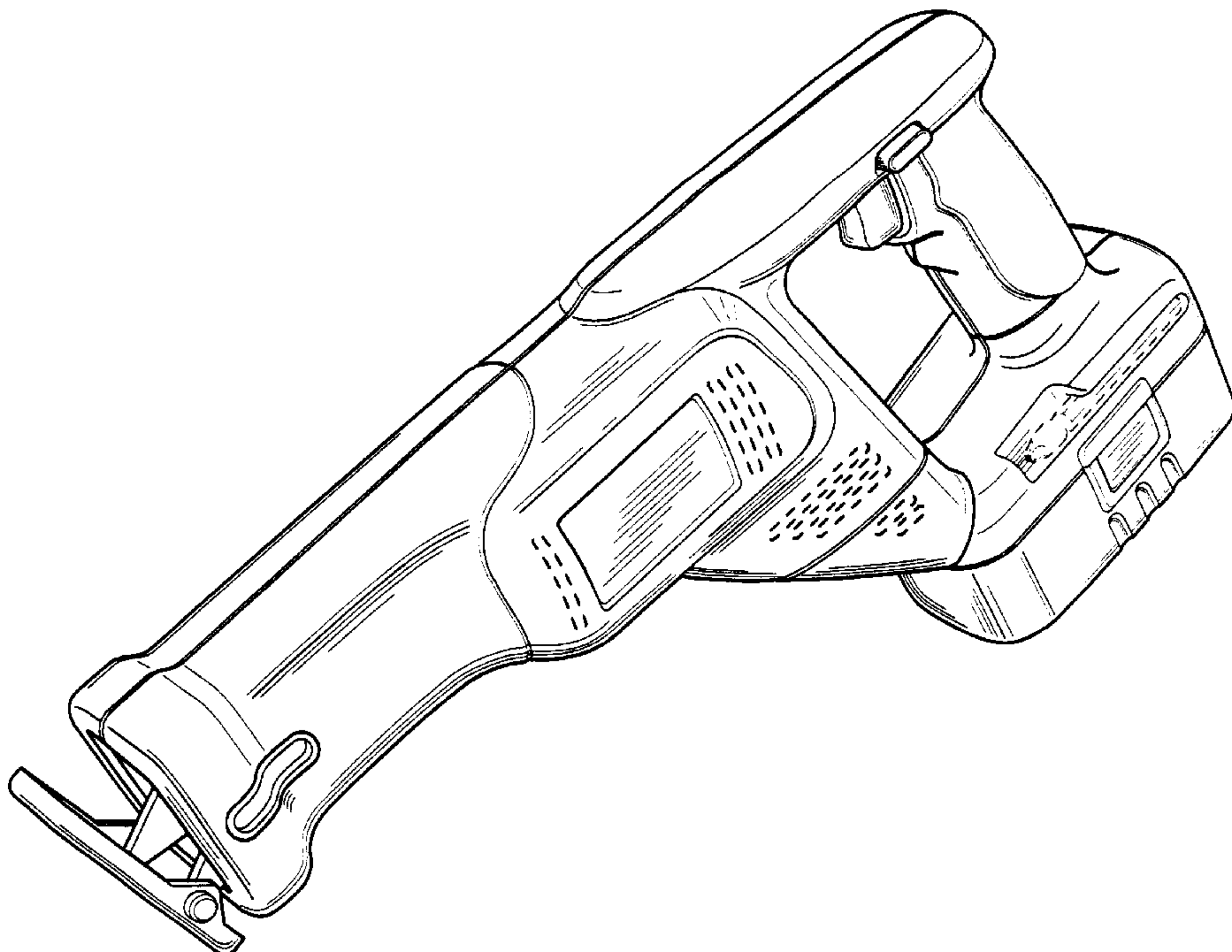
The ornamental design for a cordless reciprocating saw, as shown.

DESCRIPTION

FIG. 1 is a perspective view of a cordless reciprocating saw; FIG. 2 is a top plan view thereof; FIG. 3 is a bottom plan view thereof; FIG. 4 is a right side elevational view thereof; FIG. 5 is a left side elevational view thereof; FIG. 6 is a front elevational view thereof; and, FIG. 7 is a rear elevational view thereof of the present invention.

The broken lines showing environment in the drawings are for illustrative purposes only and form no part of the claimed design.

1 Claim, 3 Drawing Sheets



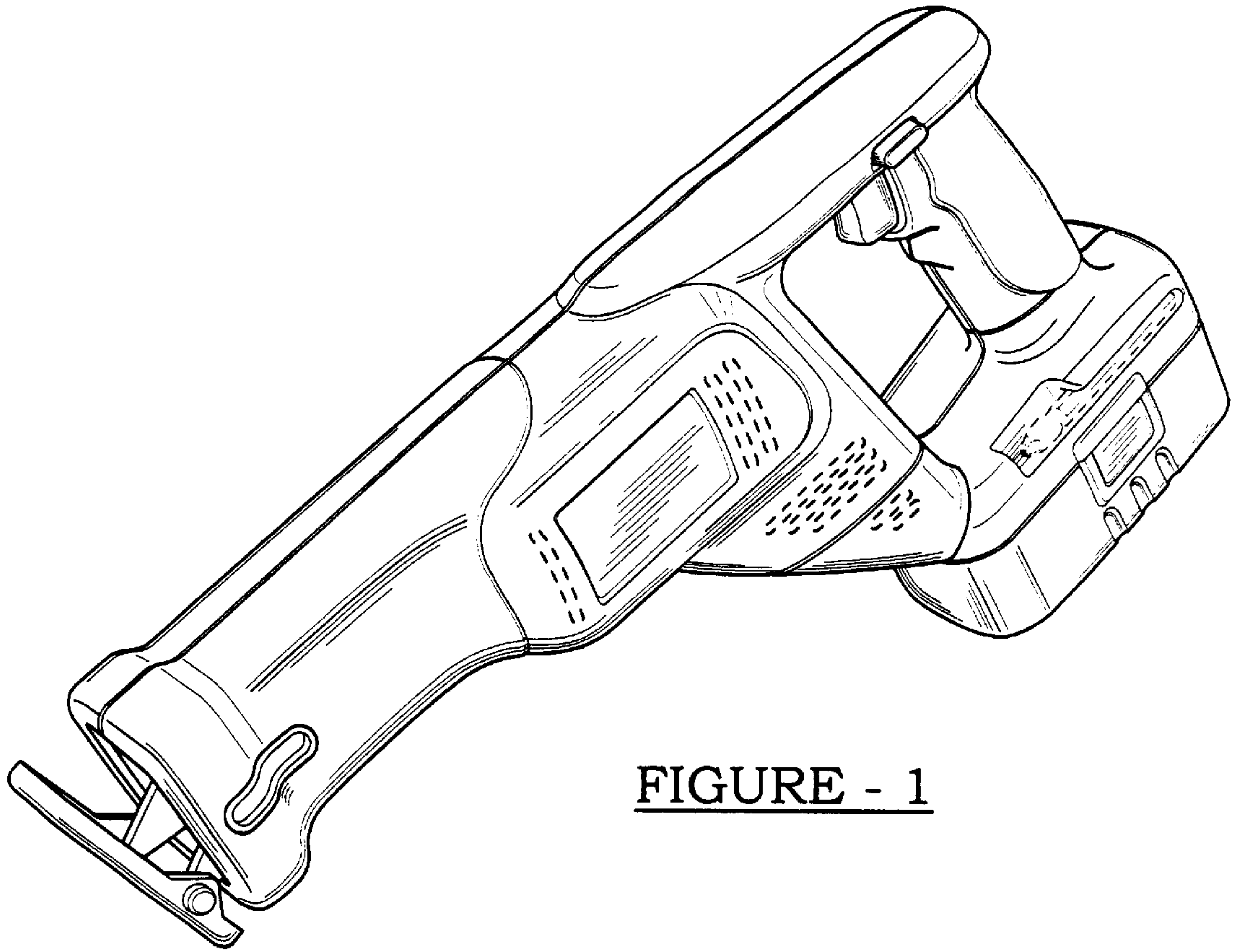


FIGURE - 1

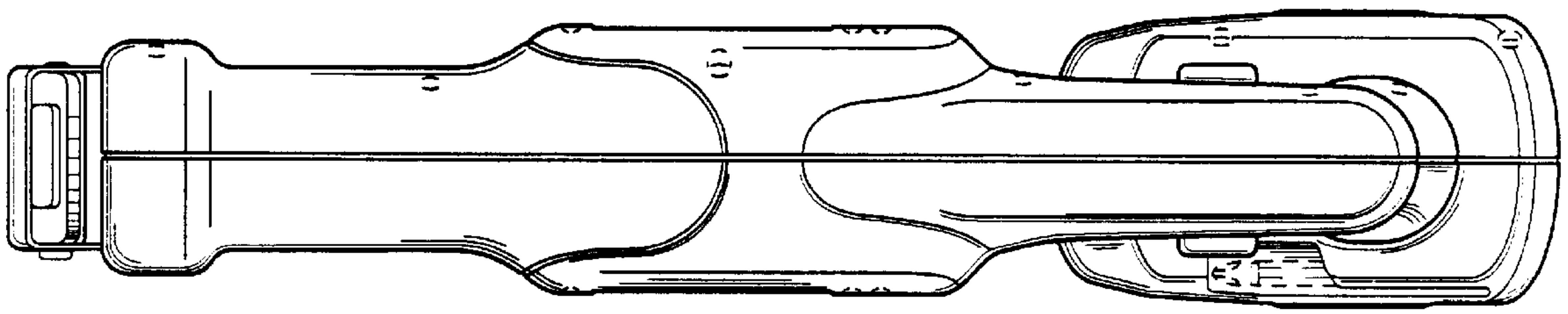


FIGURE - 2

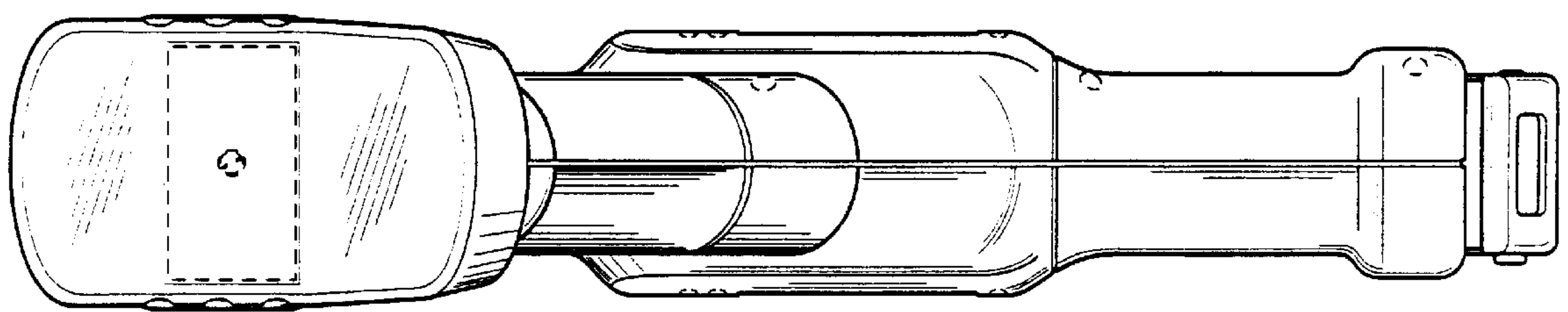


FIGURE - 3

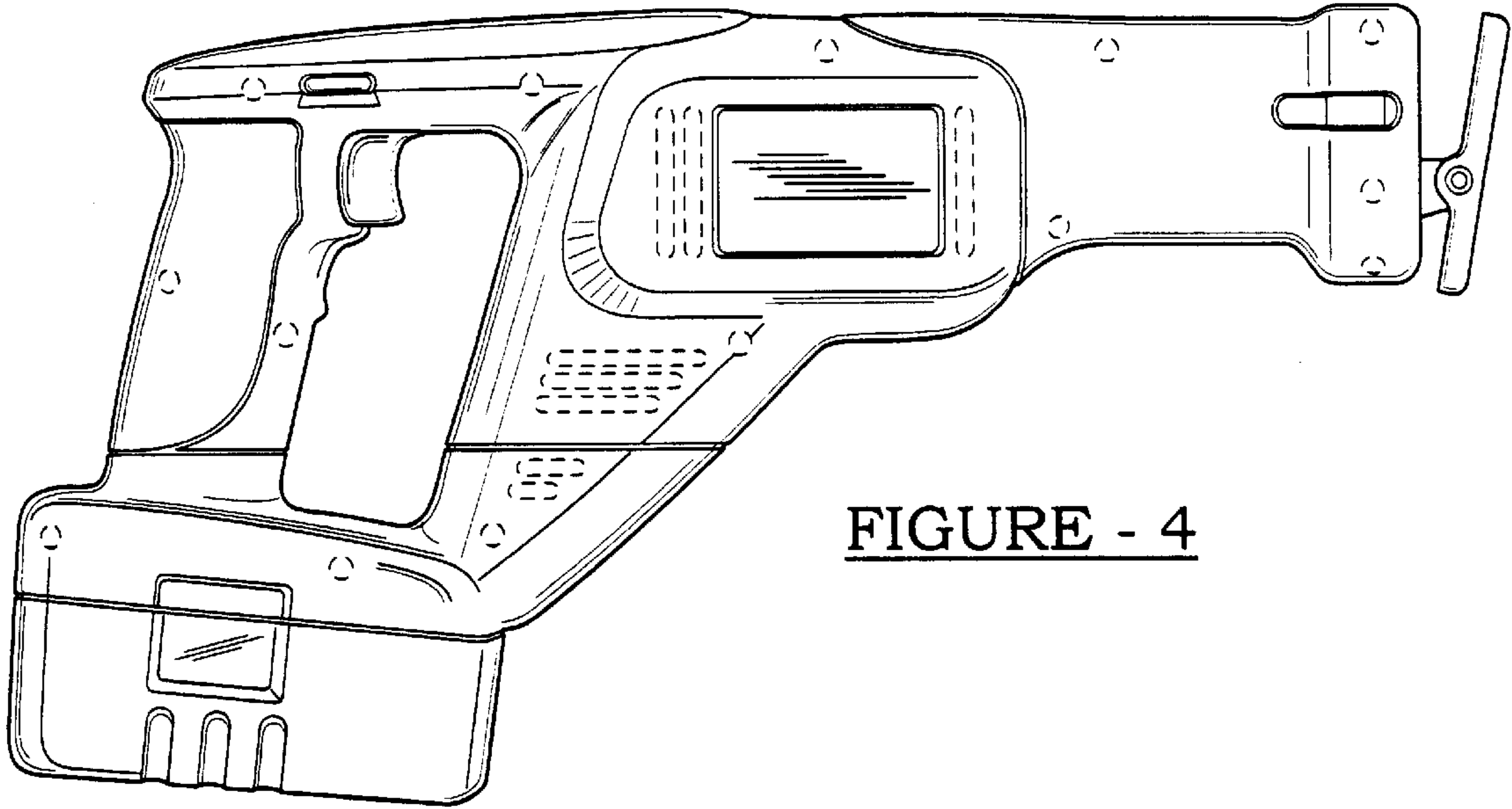


FIGURE - 4

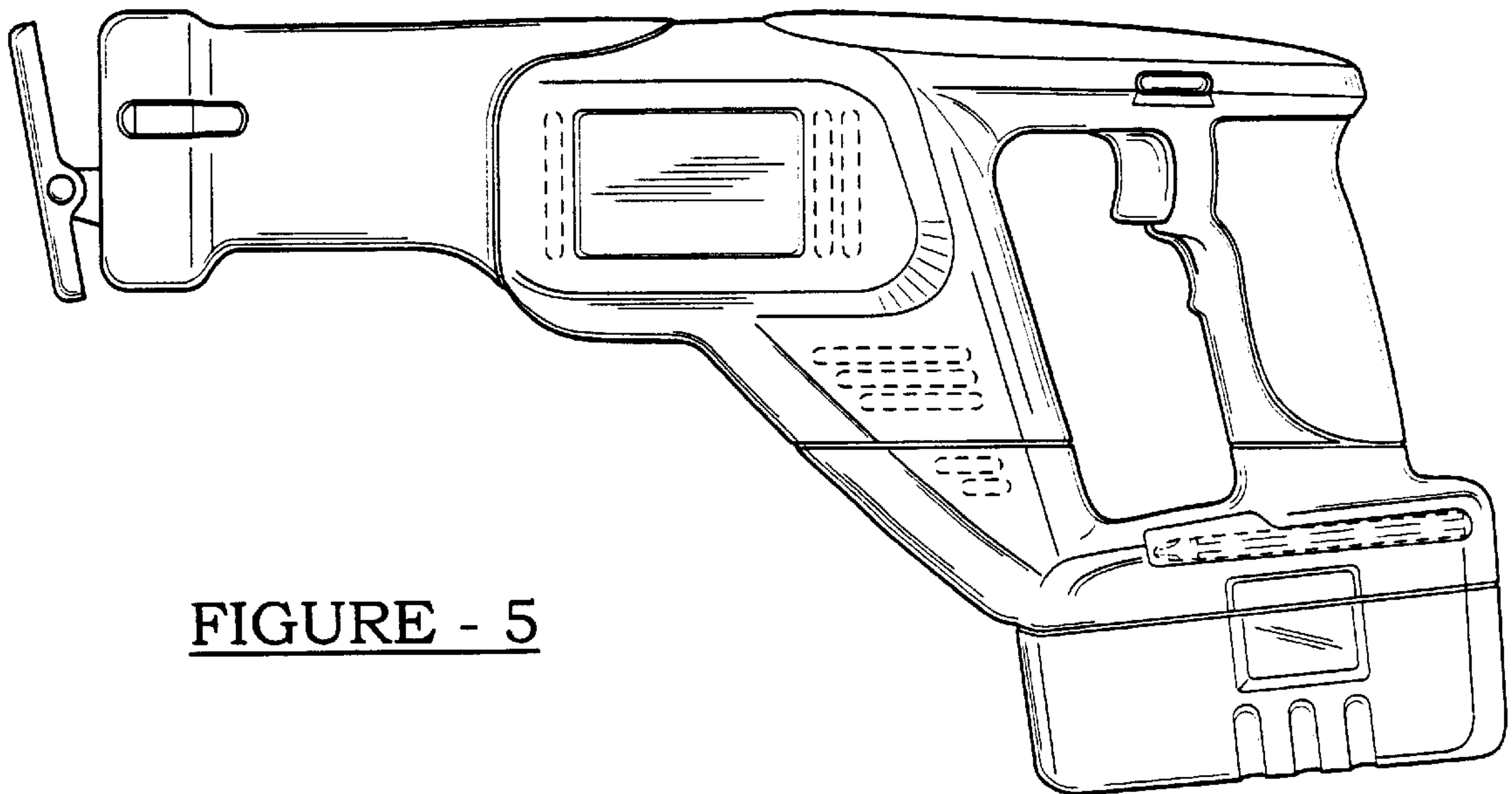


FIGURE - 5

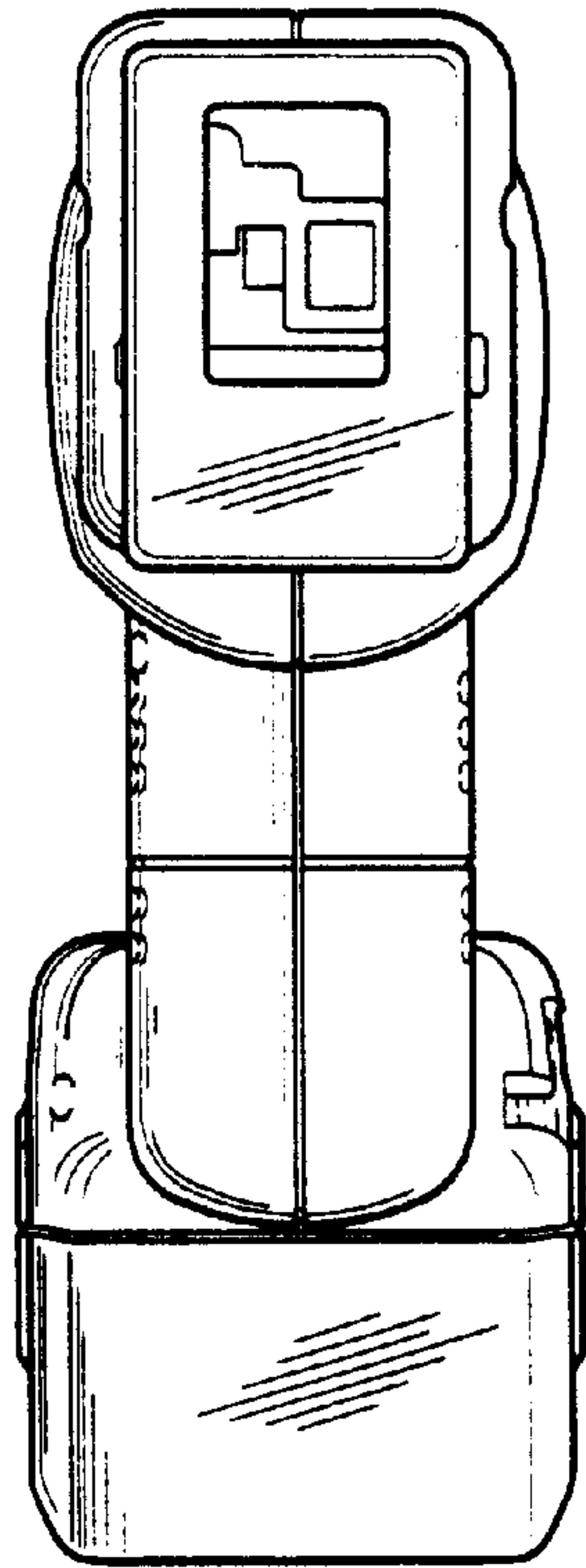


FIGURE - 6

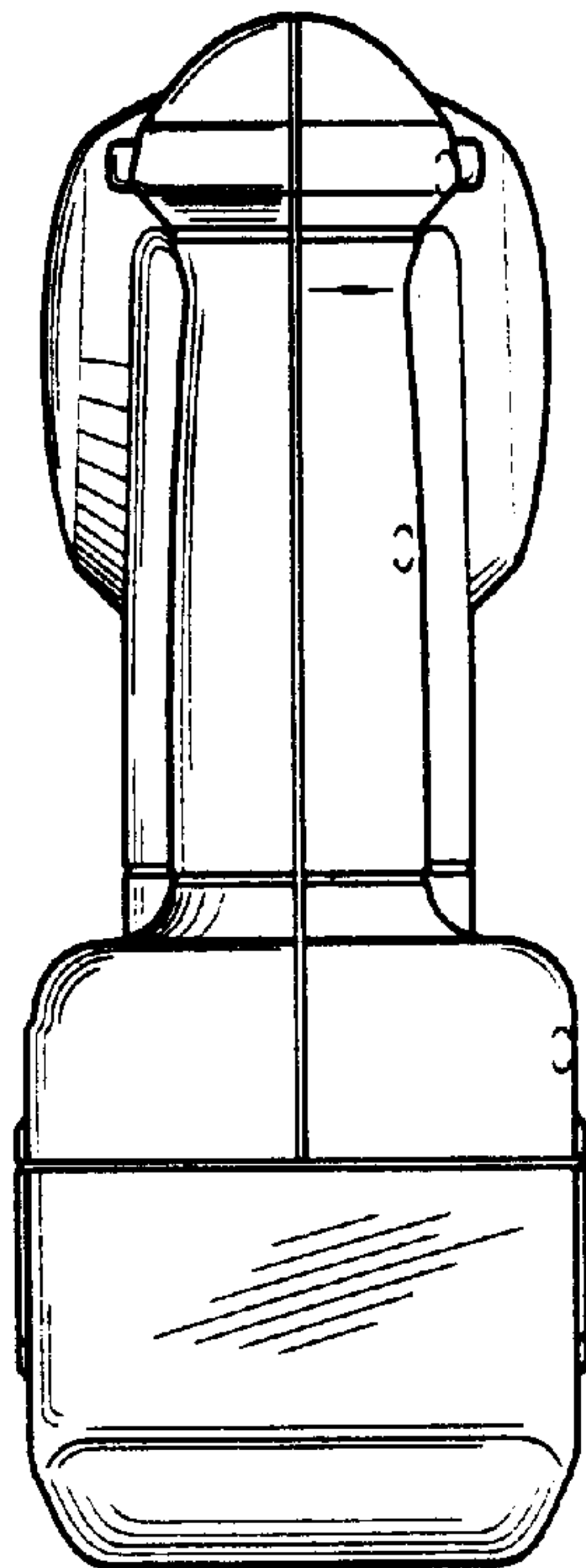


FIGURE - 7