



US00D471414S

(12) **United States Design Patent**
Chan

(10) **Patent No.:** **US D471,414 S**

(45) **Date of Patent:** **** Mar. 11, 2003**

(54) **STAPLER**

(75) **Inventor:** **Siu-Leung Chan, Kowloon (CN)**

(73) **Assignee:** **Tung Yung Stationery Manufactory Limited, Kowloon (CN)**

(**) **Term:** **14 Years**

(21) **Appl. No.:** **29/160,766**

(22) **Filed:** **May 16, 2002**

(51) **LOC (7) Cl.** **19-02**

(52) **U.S. Cl.** **D8/50**

(58) **Field of Search** D8/42, 50, 61;
D19/72; 227/120, 127, 128, 131, 132, 134,
156

(56) **References Cited**

U.S. PATENT DOCUMENTS

D355,822 S * 2/1995 Smith D8/50
D367,414 S * 2/1996 Chi D8/50

D401,825 S * 12/1998 Parsey et al. D8/50
6,244,491 B1 * 6/2001 Kandasamy et al. 227/134
D447,676 S * 9/2001 Wilson et al. D8/50

* cited by examiner

Primary Examiner—Adir Aronovich

(74) *Attorney, Agent, or Firm*—Alix, Yale & Ristas, LLP

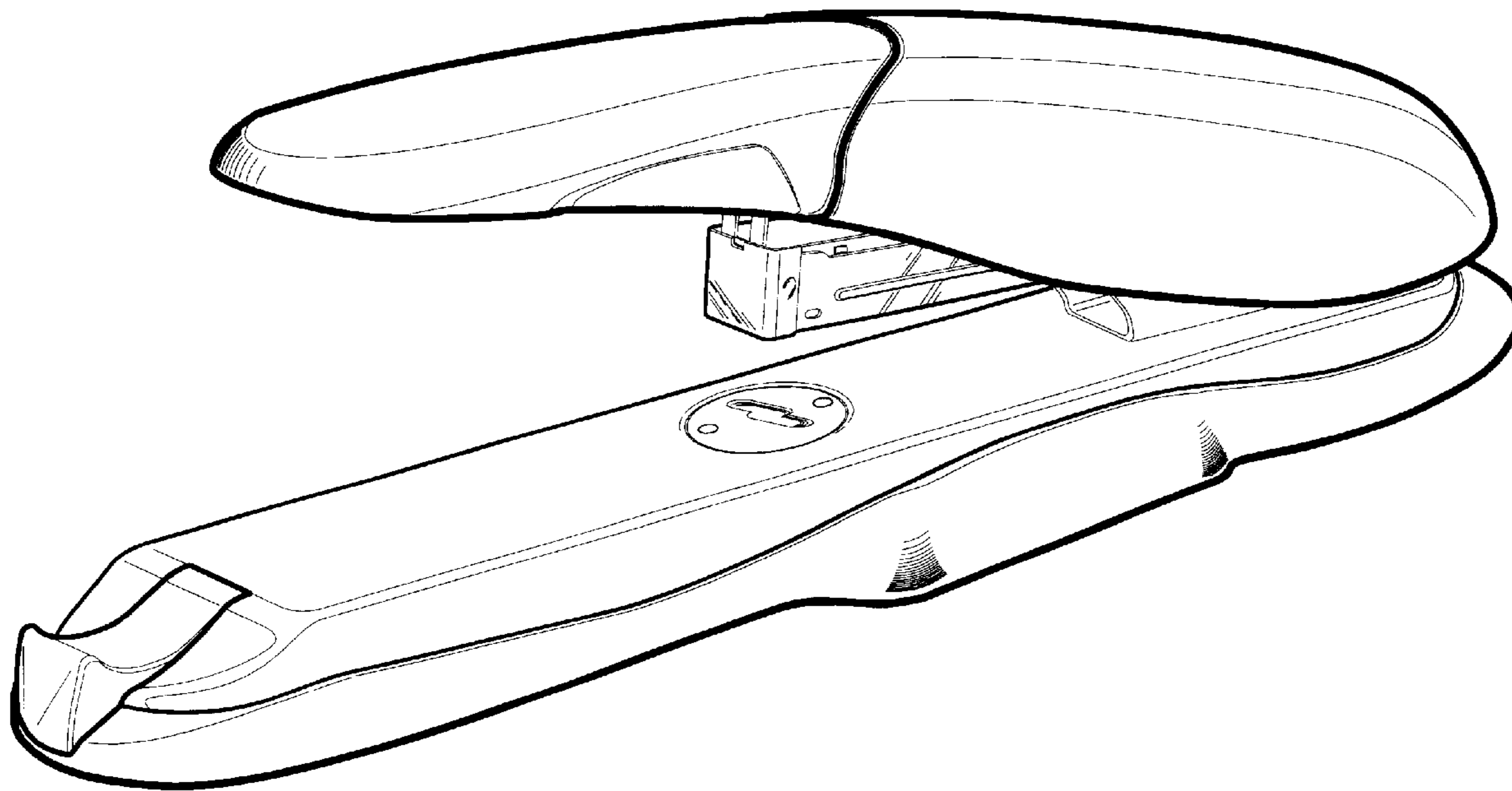
(57) **CLAIM**

The ornamental design for a stapler, as shown and described.

DESCRIPTION

FIG. 1 is a perspective view of a stapler showing my new design;
FIG. 2 is a front elevational view thereof;
FIG. 3 is a rear elevational view thereof;
FIG. 4 is a left side elevational view thereof;
FIG. 5 is a right side elevational view thereof;
FIG. 6 is a top plan view thereof; and,
FIG. 7 is a bottom plan view thereof.

1 Claim, 4 Drawing Sheets



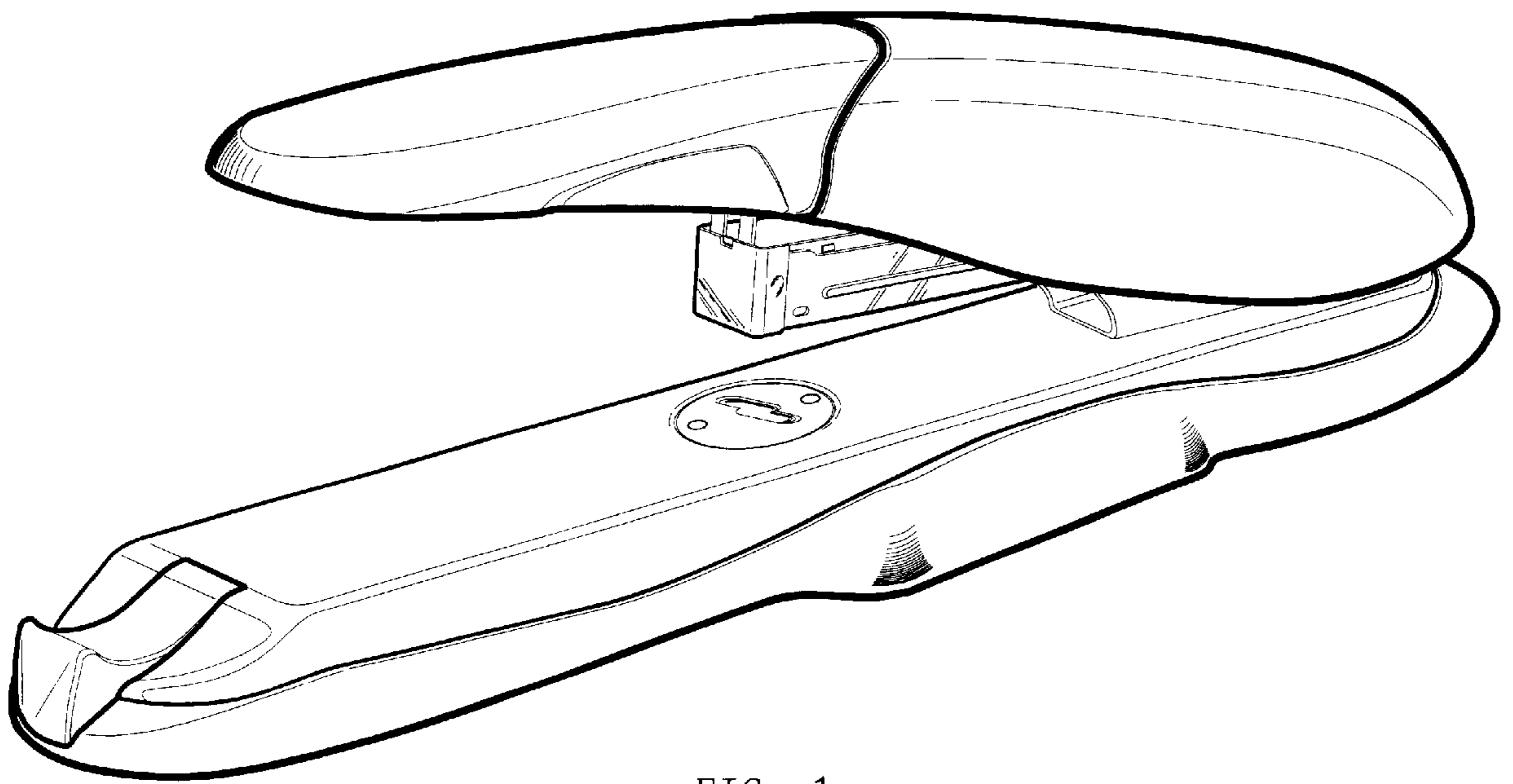


FIG. 1

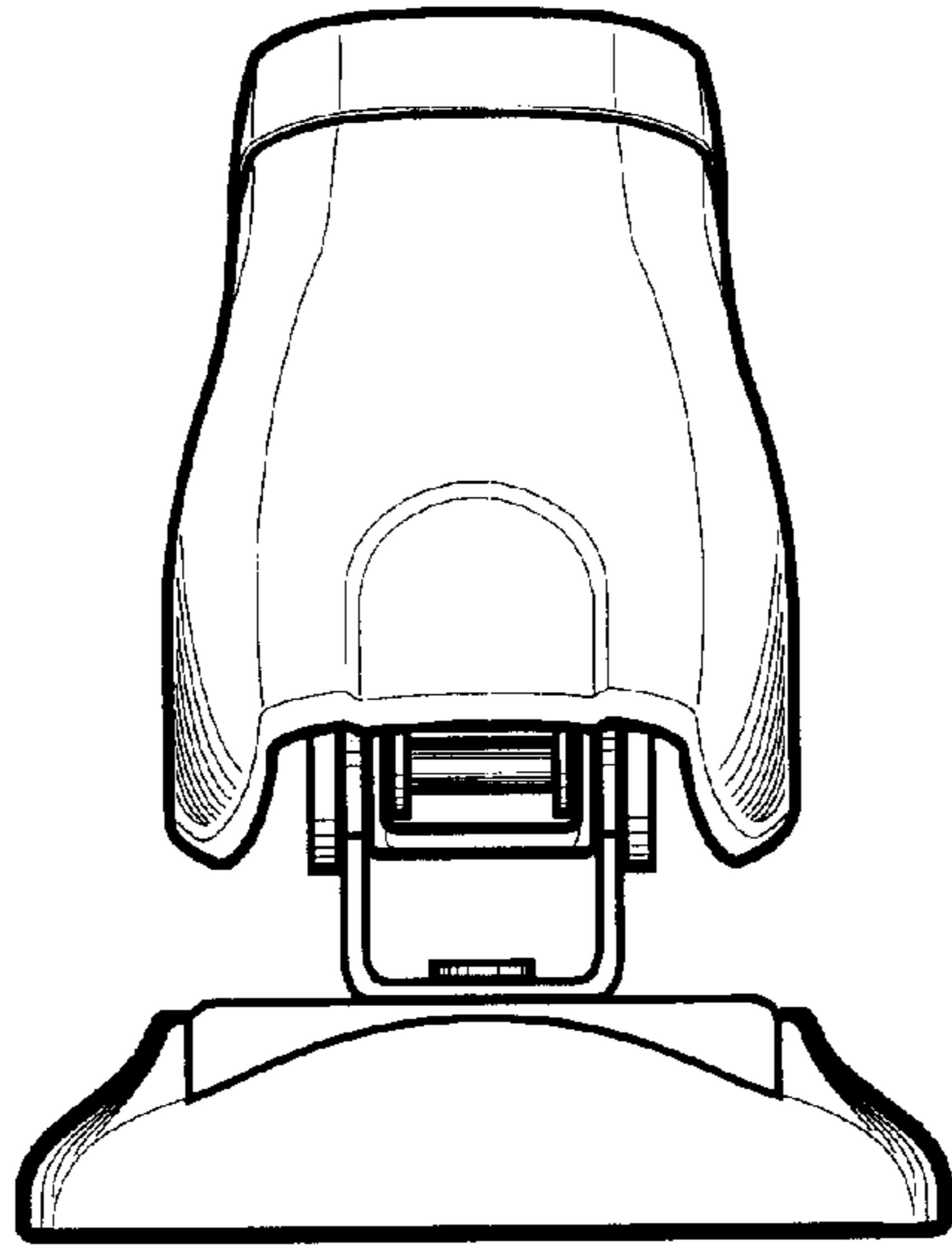


FIG. 3

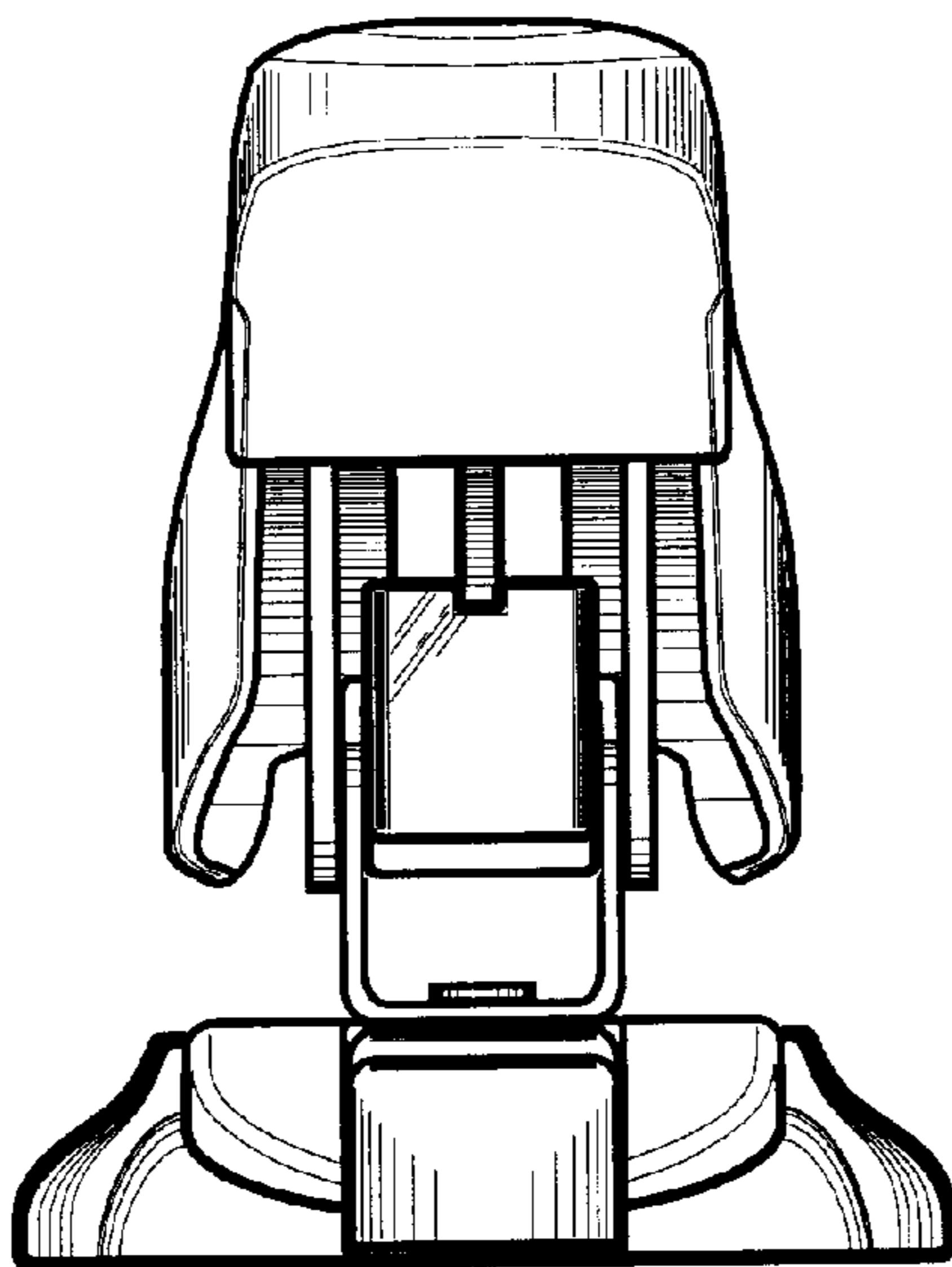


FIG. 2

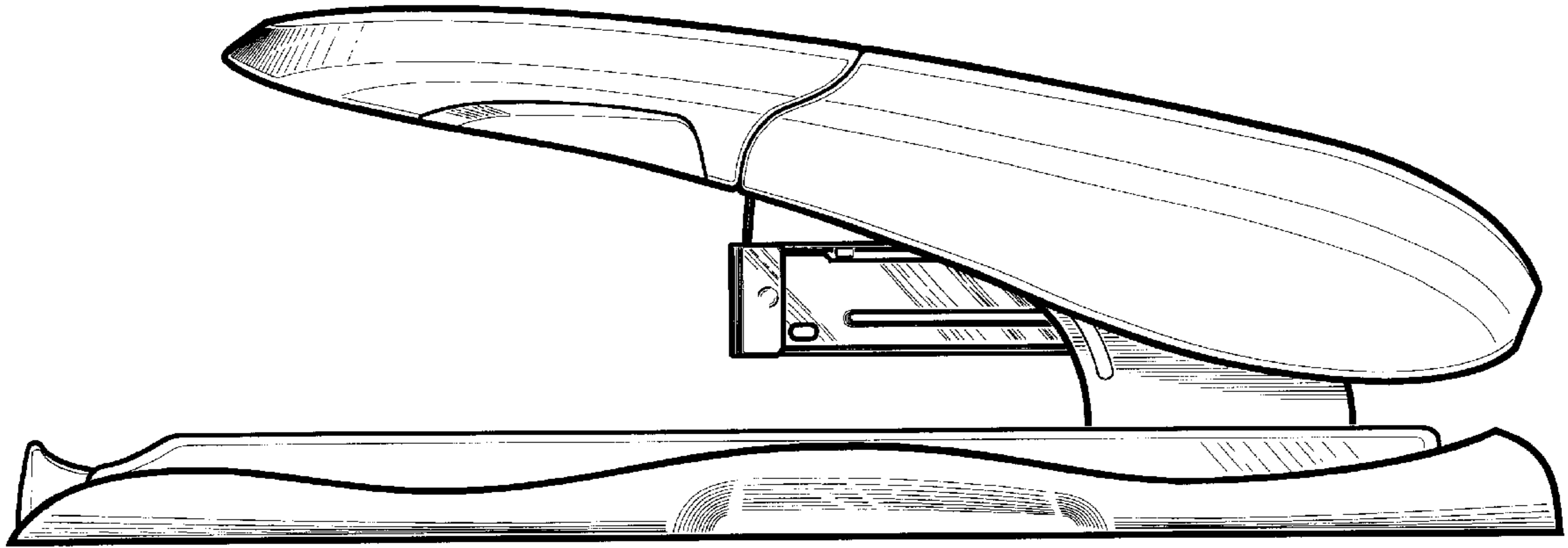


FIG. 5

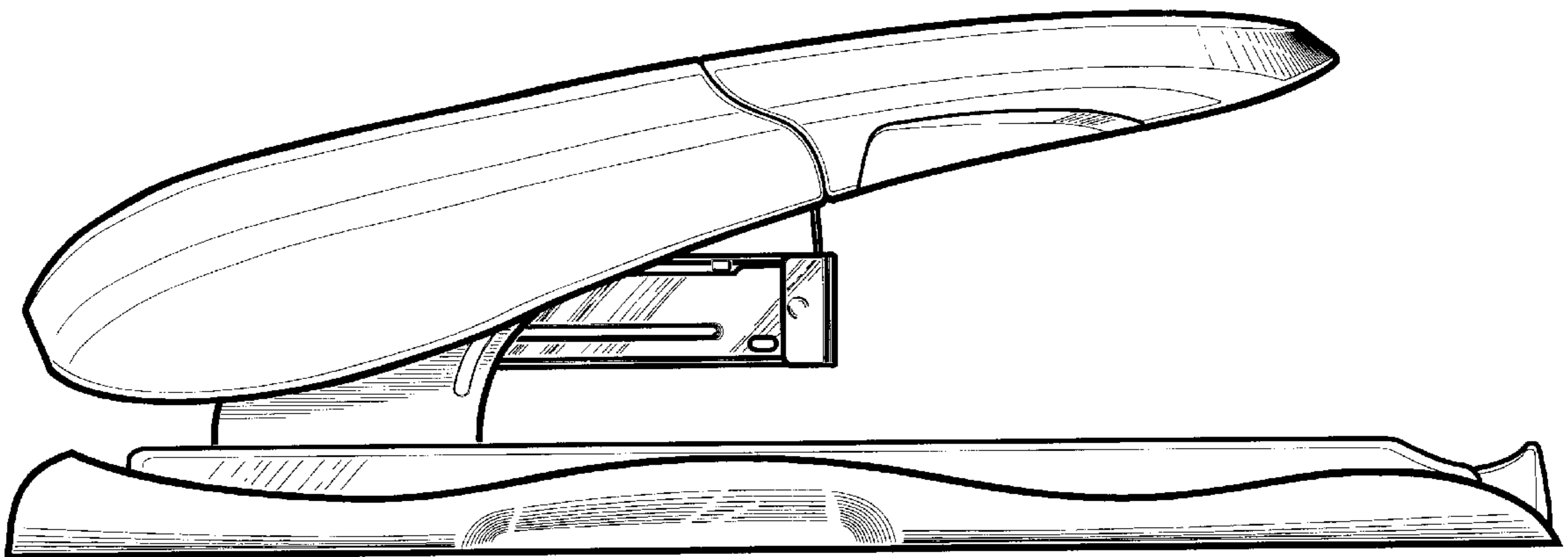


FIG. 4

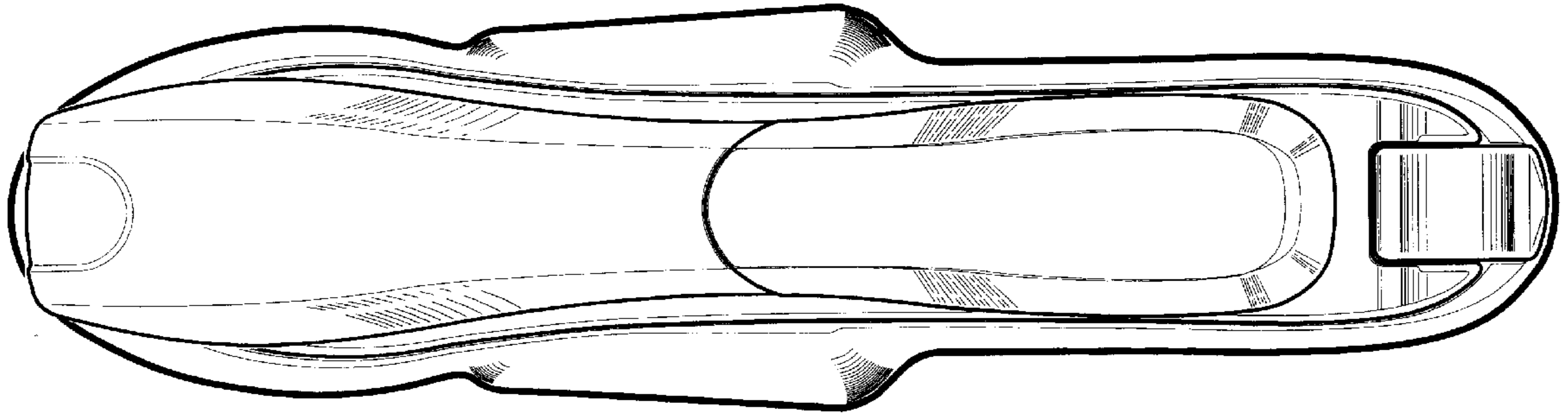


FIG. 6

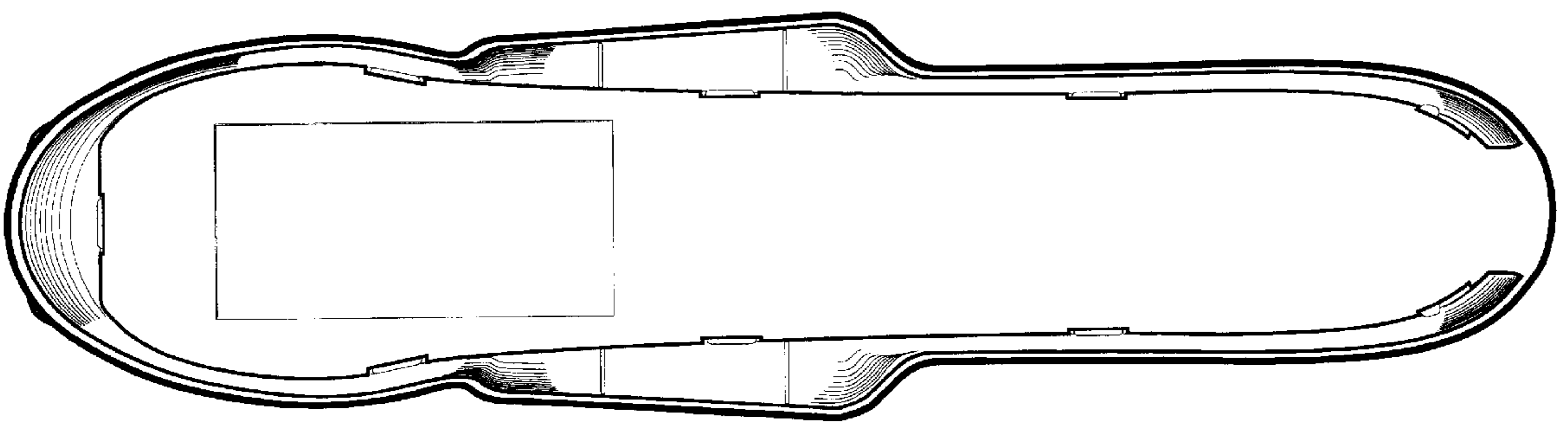


FIG. 7