



US00D471407S

(12) **United States Design Patent**  
**Rivkin**

(10) **Patent No.:** **US D471,407 S**

(45) **Date of Patent:** **\*\* Mar. 11, 2003**

(54) **DISCHARGE SPOUT ASSEMBLY FOR GRAVITY BIN**

(76) Inventor: **Eric M. Rivkin**, 1695 Steller Ct., Excelsior, MN (US) 55331

(\*\*) Term: **14 Years**

(21) Appl. No.: **29/092,526**

(22) Filed: **Aug. 21, 1998**

(51) **LOC (7) Cl.** ..... **07-01**

(52) **U.S. Cl.** ..... **D7/589**

(58) **Field of Search** ..... D7/589; D20/1, D20/3, 7, 8; D6/512, 515, 542, 545; 221/195, 281, 282; 222/173, 181.1, 185.1

(56) **References Cited**

**U.S. PATENT DOCUMENTS**

|               |         |                  |       |           |
|---------------|---------|------------------|-------|-----------|
| 1,333,479 A * | 3/1920  | Farmer           | ..... | 221/281 X |
| D254,832 S    | 4/1980  | Zappa            |       |           |
| 4,438,564 A   | 3/1984  | Ashton           | ..... | 30/324    |
| D289,837 S    | 5/1987  | Luckey           | ..... | D6/471    |
| D296,405 S    | 6/1988  | Weaver           |       |           |
| D307,694 S    | 5/1990  | Billie           | ..... | D7/691    |
| D310,748 S    | 9/1990  | Embree et al.    | ..... | D34/40    |
| 5,035,445 A   | 7/1991  | Poulin           | ..... | 280/763.1 |
| D327,641 S    | 7/1992  | Hoskinson et al. | ..... | D8/370    |
| D332,374 S    | 1/1993  | Saunders         | ..... | D7/589    |
| D335,242 S    | 5/1993  | Saunders         | ..... | D7/589    |
| D345,283 S *  | 3/1994  | Papanicholas     | ..... | D7/589    |
| D351,284 S    | 10/1994 | Kruger           | ..... | D3/314    |
| D352,586 S    | 11/1994 | Baucom           |       |           |
| 5,437,393 A   | 8/1995  | Blicher et al.   | ..... | 222/77    |
| D371,458 S    | 7/1996  | Valls et al.     | ..... | D3/266    |
| 5,560,519 A   | 10/1996 | Moore et al.     | ..... | 222/129   |
| D385,432 S    | 10/1997 | Baluk et al.     | ..... | D6/437    |
| 5,673,823 A * | 10/1997 | Hanks et al.     | ..... | 222/185.1 |
| D402,160 S *  | 12/1998 | Rushing          | ..... | D7/589    |

**OTHER PUBLICATIONS**

Rubbermaid and Matting Catalog, pp. 3,4,14 and 20, Consolidated Plastics Co. Inc., 1992.

Advertisement entitled "Introducing the FruitSource Center and VersaBin", FruitSource Confections, Inc., copyright 1992.

Advertisement entitled "Bulk, Dry Food Dispenser", HCF Marketing, Rogers, Minnesota, dated Feb. 1985.

Advertisement entitled "How You can Profit from Our Passion", Aquadine, Inc., Santa Rosa, CA, copyright 1993.

Hubert Merchandising Solutions Catalog, pp. 239-244, dated 1994.

Blitz U.S.A. Pet Products Catalog, copyright 1994.

Trade Fixtures Stock Options Catalog, copyright 1994.

Hubert Catalog, pp. 327 and 328, dated 1997.

Hubert Catalog, pp. 293 and 294, dated 1996.

Faribo Manufacturing Company Catalog, dated Feb. 1996.

Crown Plastics, Inc. Product Catalog, undated.

Eight O'Clock Coffee System 2000 Catalog, undated.

Trade Bins Gravity Feed Bins and Scoop Bins Catalog, undated.

\* cited by examiner

*Primary Examiner*—Terry A. Wallace

(74) *Attorney, Agent, or Firm*—John W. Bunch

(57) **CLAIM**

The ornamental design for a discharge spout assembly for gravity bin, as shown and described.

**DESCRIPTION**

FIG. 1 is a perspective view of a discharge spout assembly for gravity bin showing a first embodiment of my new design, with the pivotal handle in the up/closed position, the gravity bin and base being shown in phantom lines for illustrative purposes and forming no part of the claimed design;

FIG. 2 is a left side elevational view thereof, the right side being a mirror image of that shown;

FIG. 3 is a top plan view thereof taken along lines 3—3 of FIG. 2 in the direction of the arrows;

FIG. 4 is a front elevational view thereof;

FIG. 5 is a rear elevational view thereof;

FIG. 6 is a bottom plan view thereof;

FIG. 7 is a view similar to FIG. 2, but with the pivotal handle in a down position;

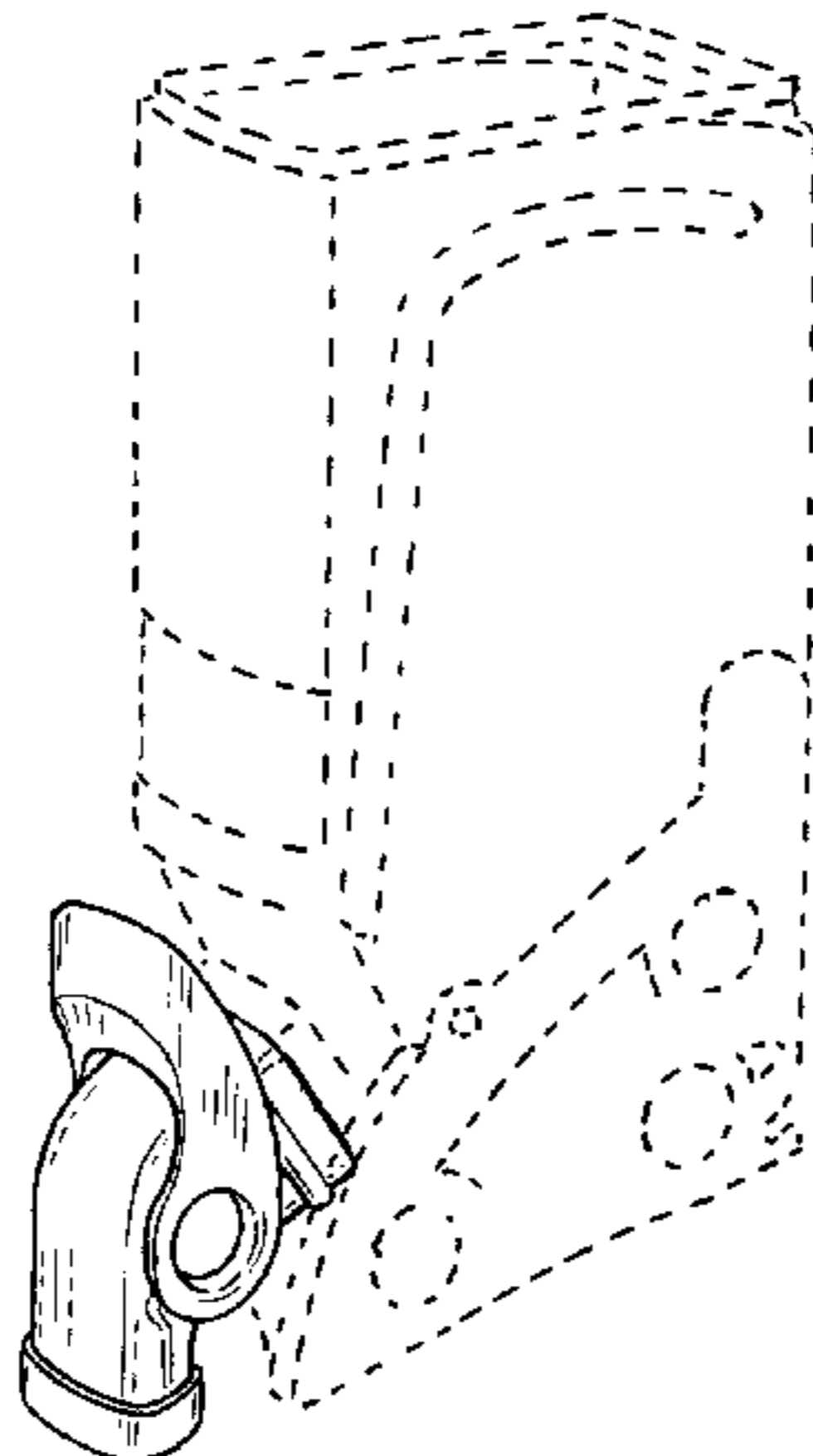
FIG. 8 is a view similar to FIG. 3, but with the pivotal handle in a down/open position, taken along lines 8—8 of FIG. 7 in the direction of the arrows;

FIG. 9 is a view similar to FIG. 4, but with the pivotal handle in a down/open position;

FIG. 10 is a view similar to FIG. 5, but with the pivotal handle in a down/open position; and,

FIG. 11 is a view similar to FIG. 6, but with the pivotal handle in a down/open position.

**1 Claim, 4 Drawing Sheets**



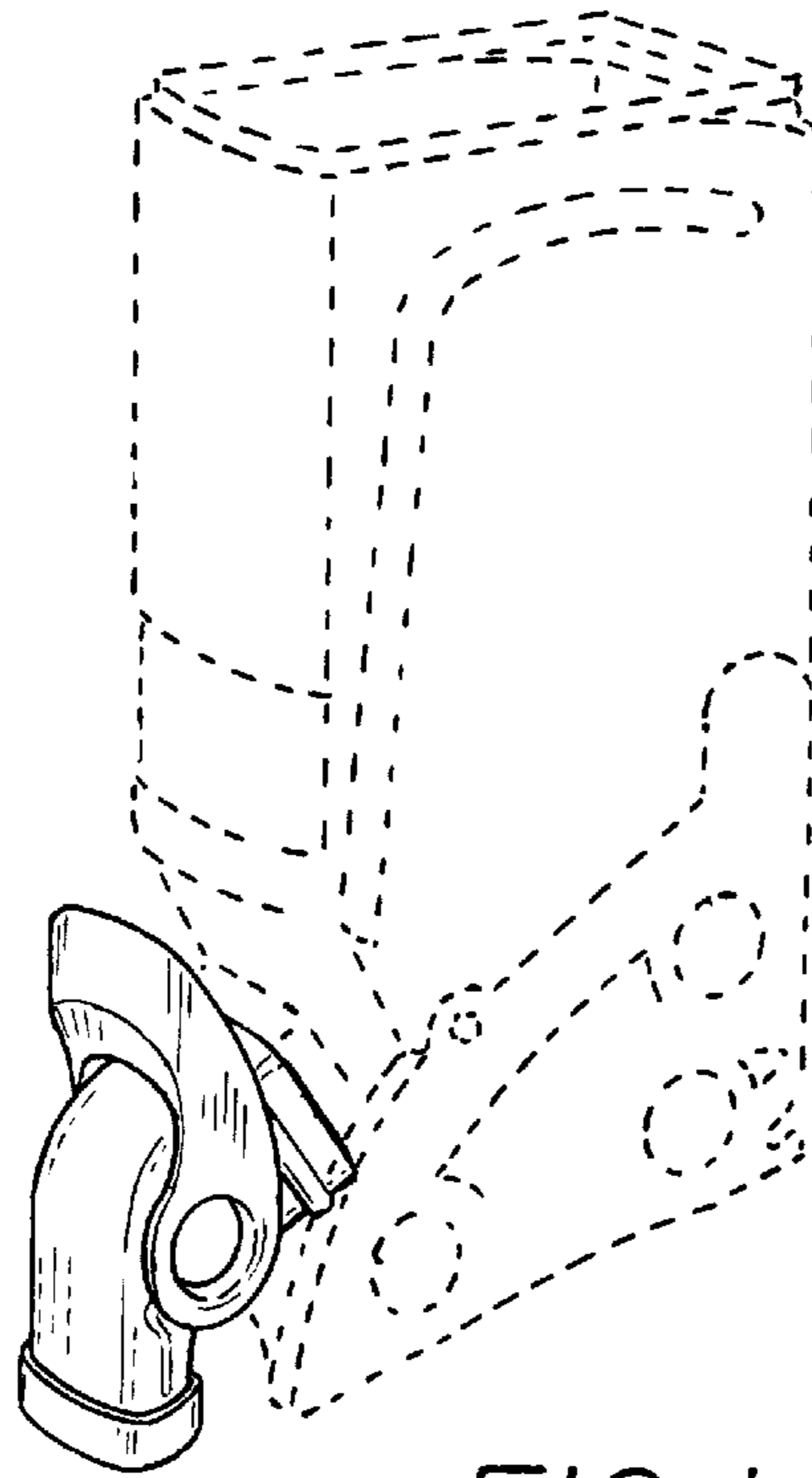


FIG. 1

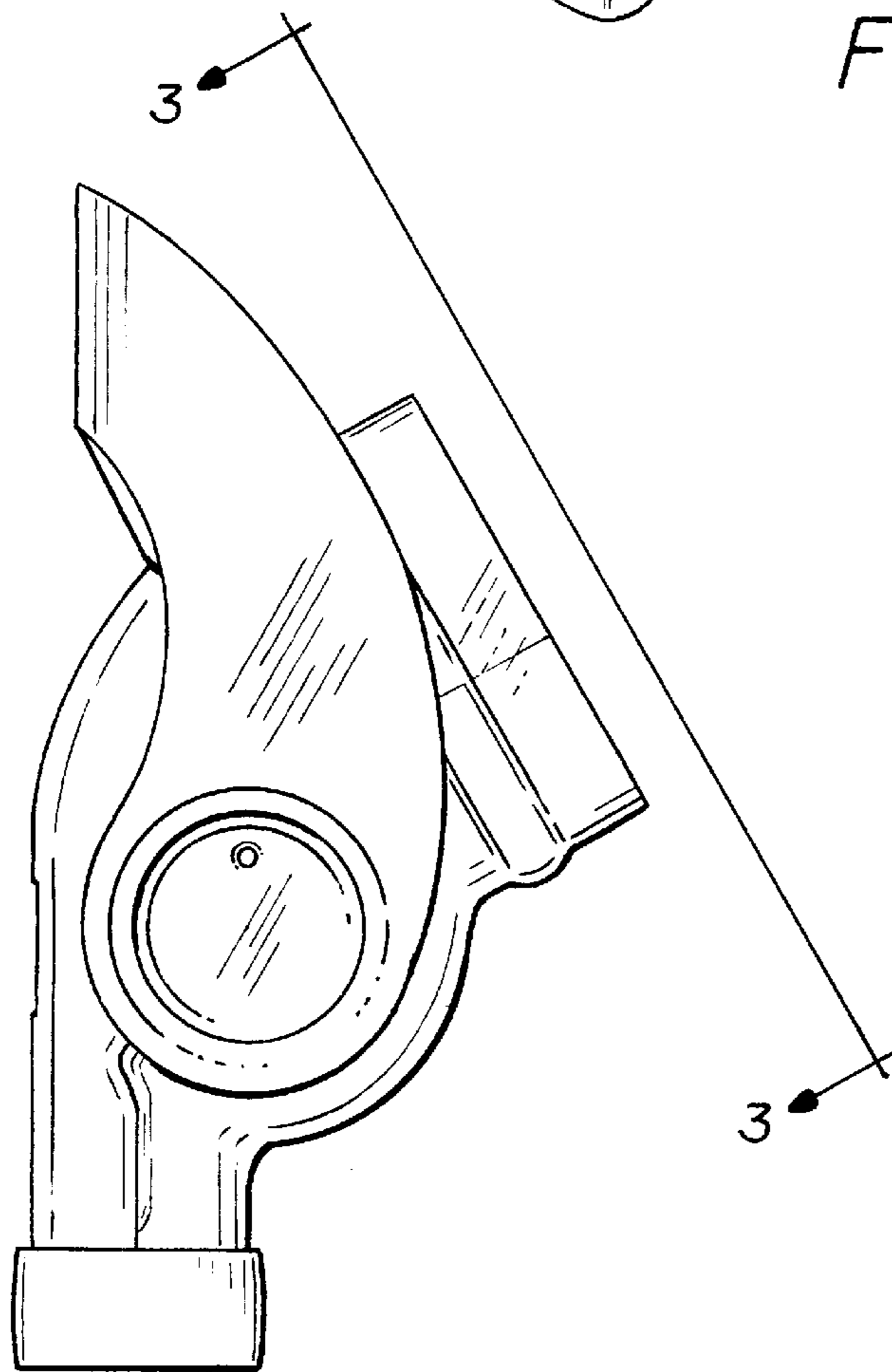


FIG. 2

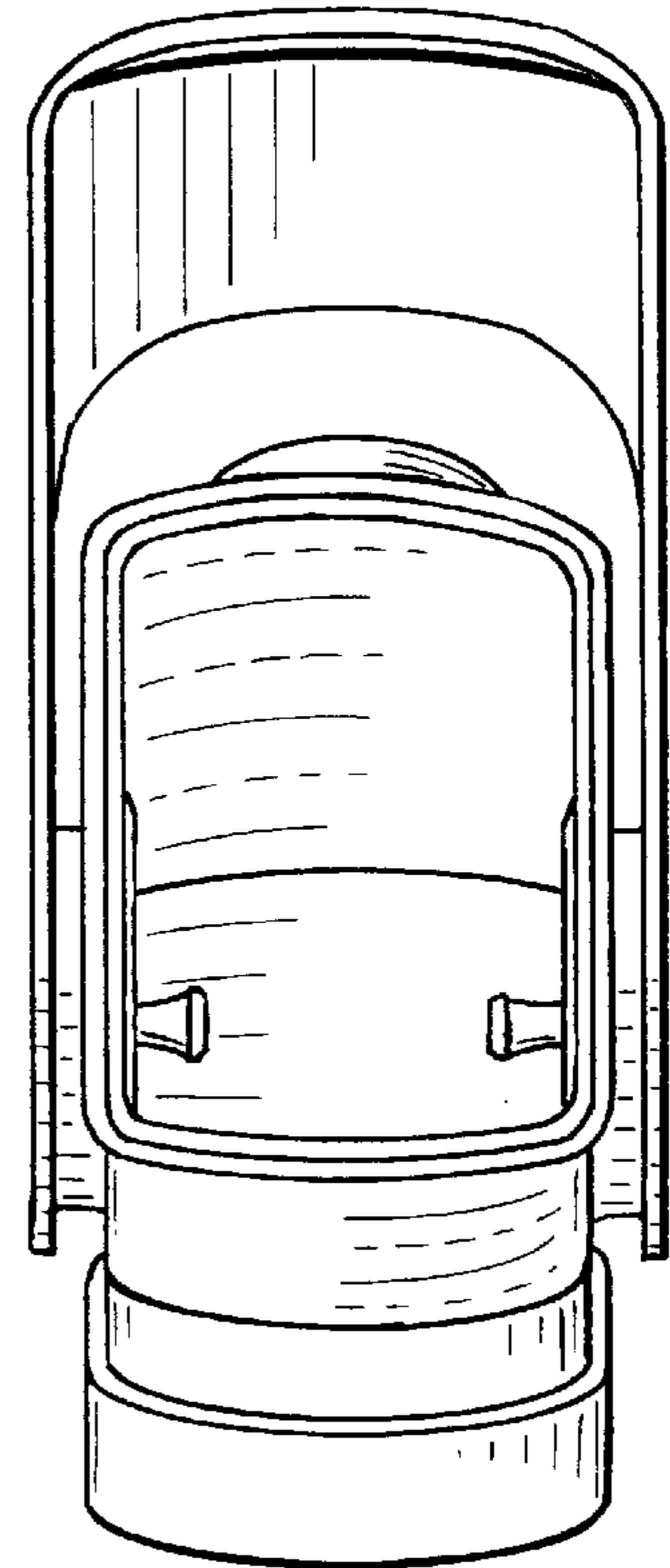


FIG. 3

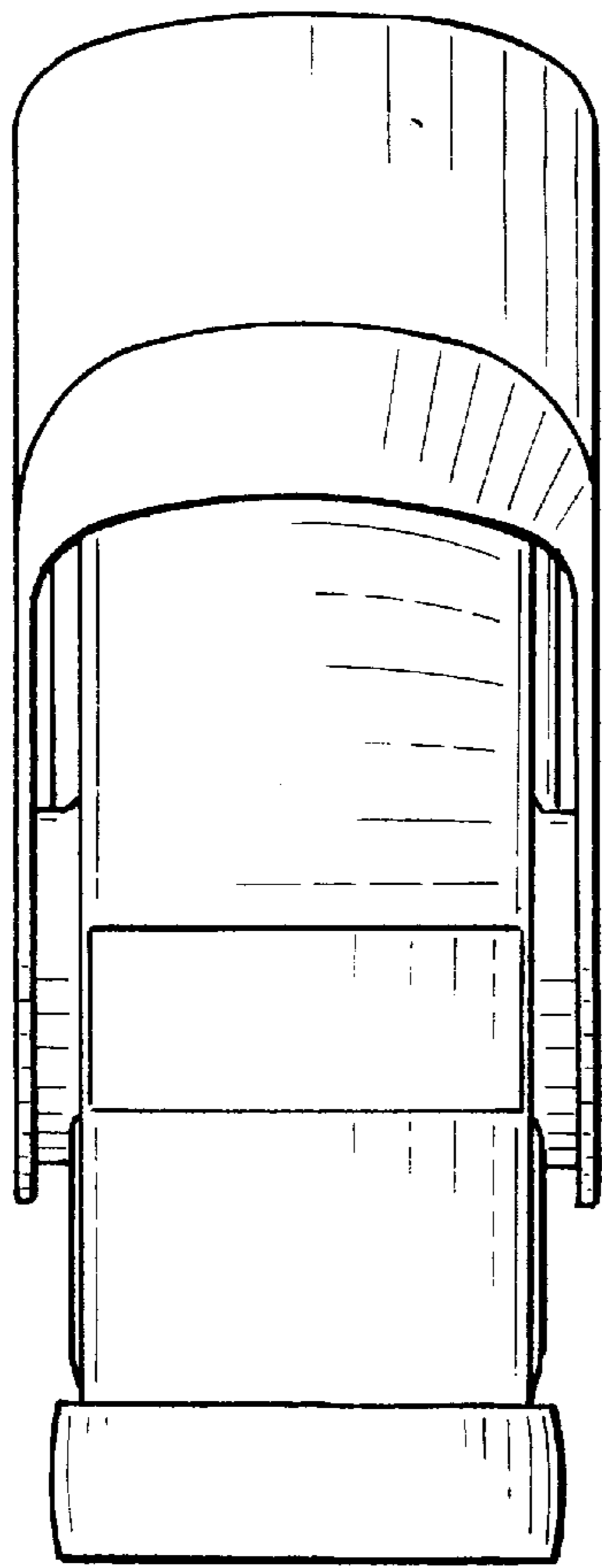


FIG. 4

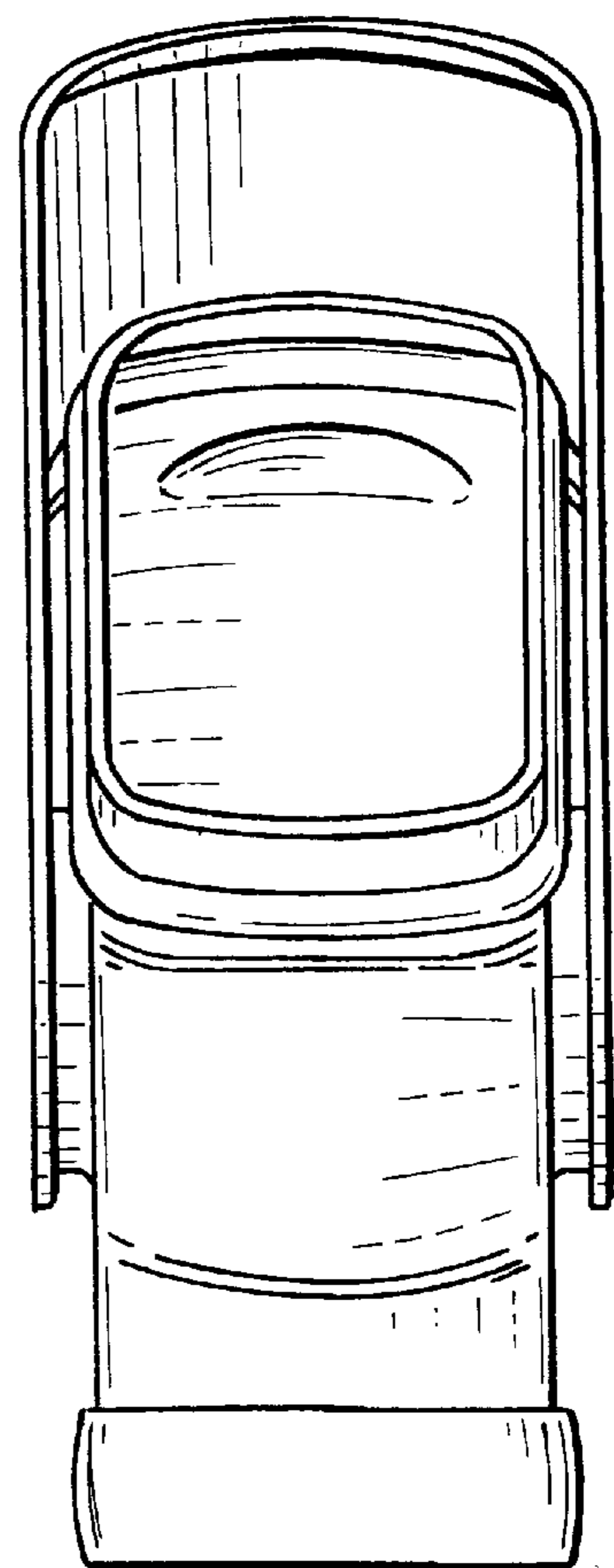


FIG. 5

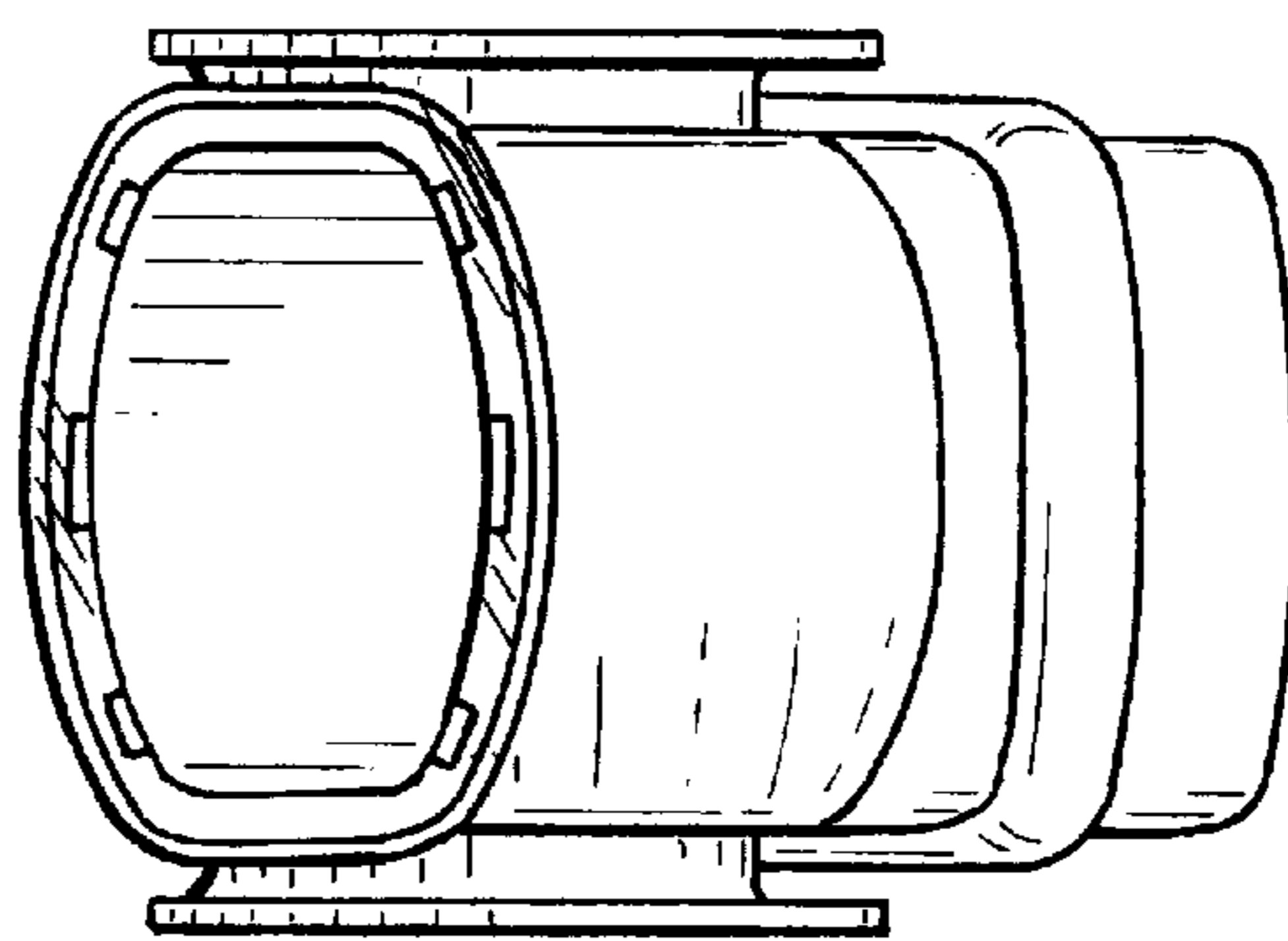


FIG. 6

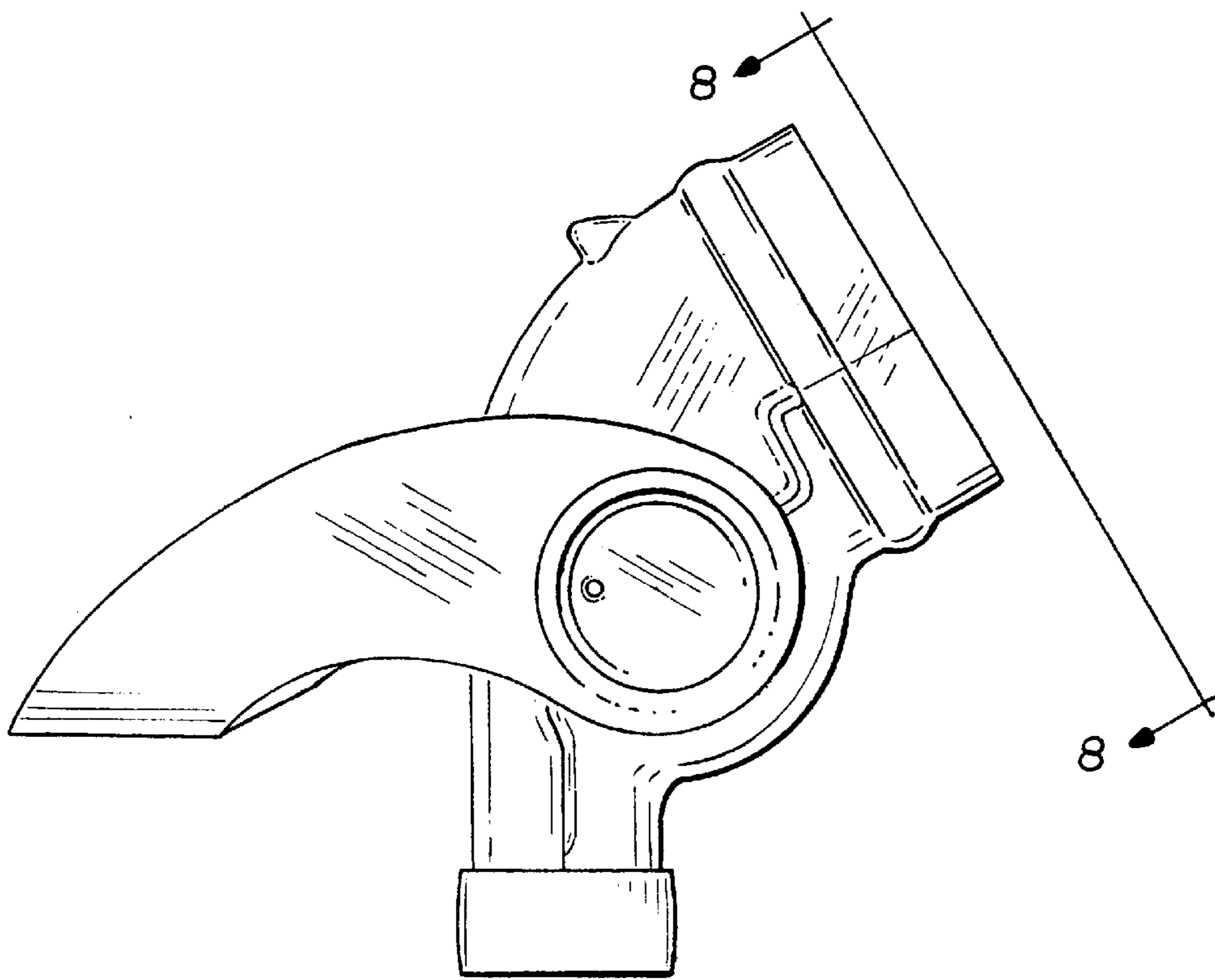


FIG. 7

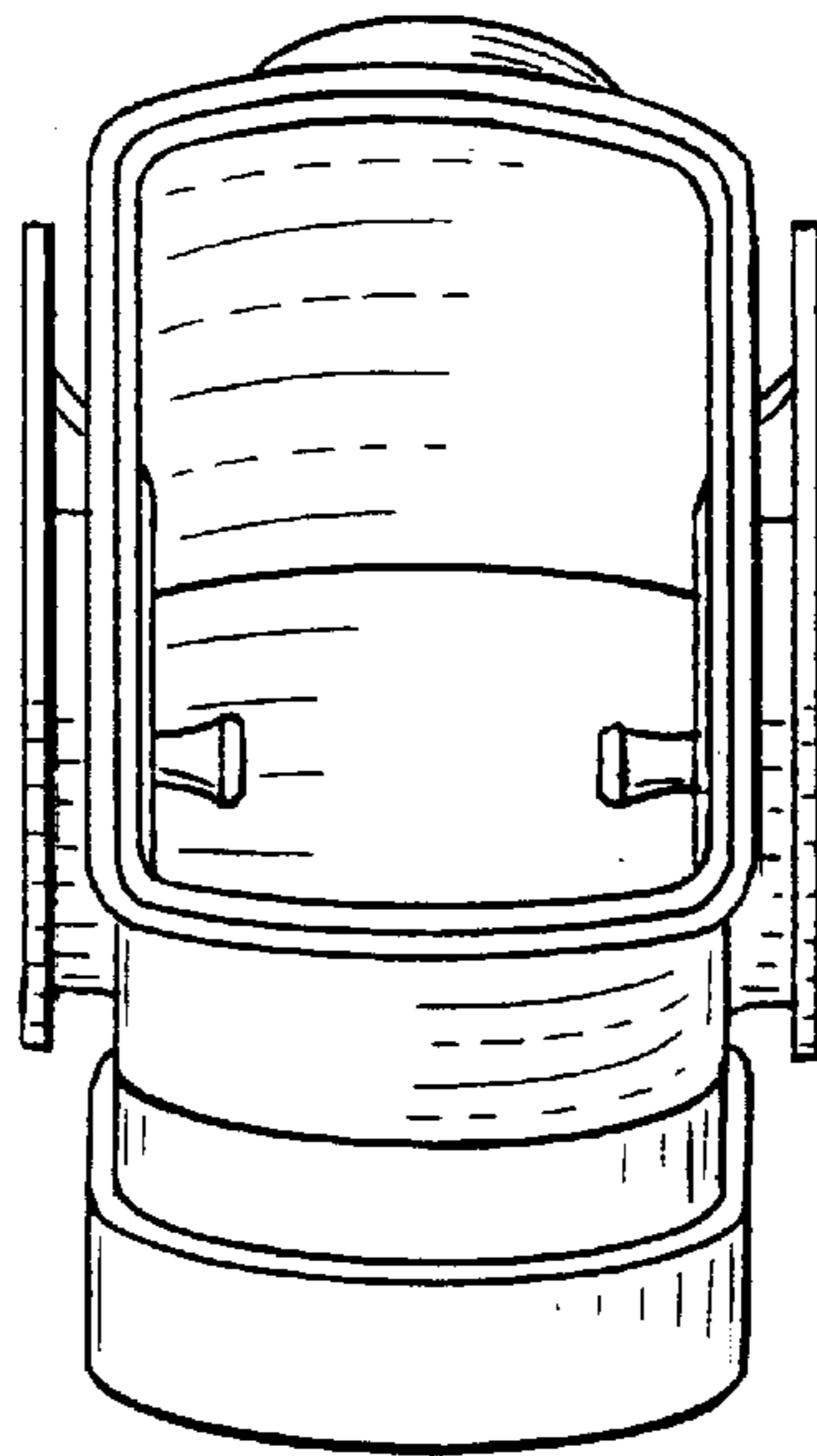


FIG. 8

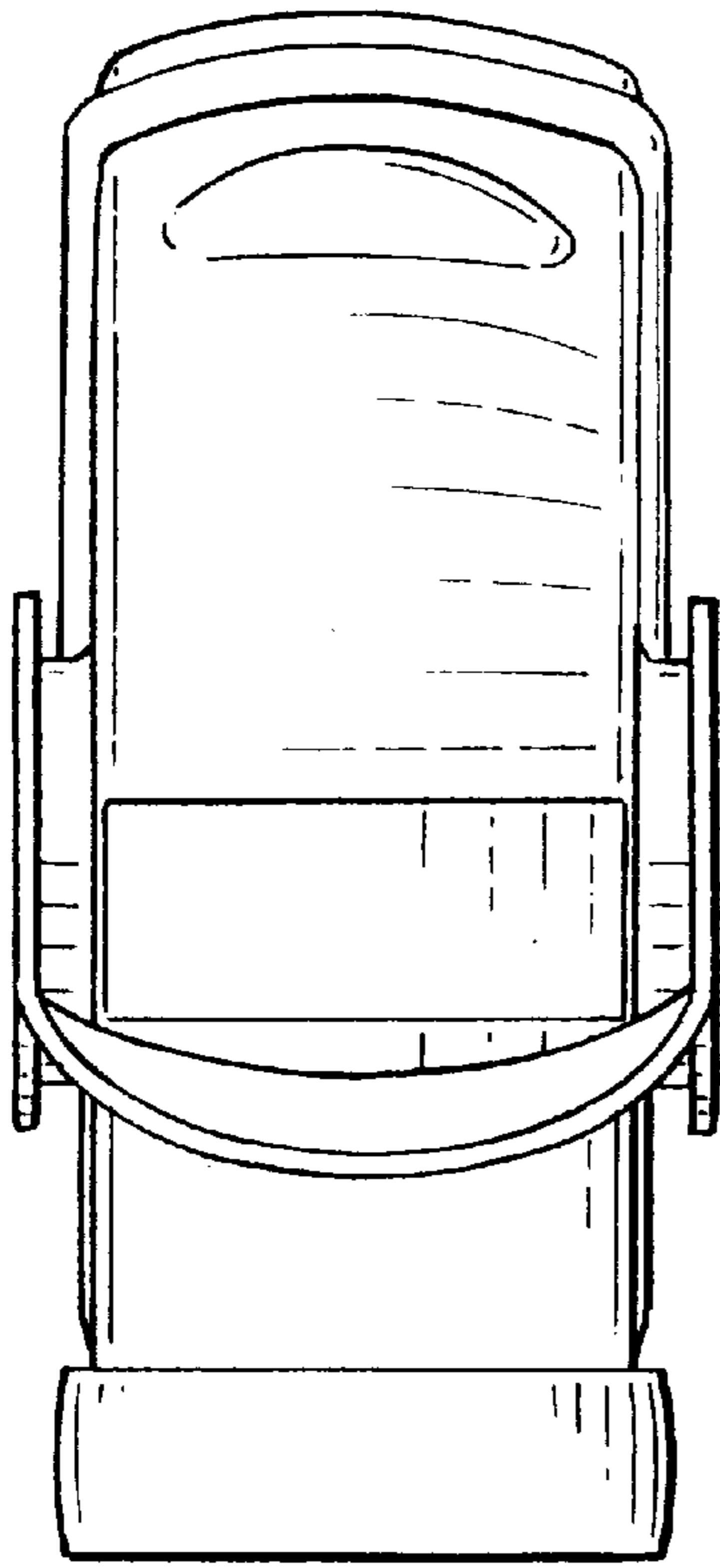


FIG. 9

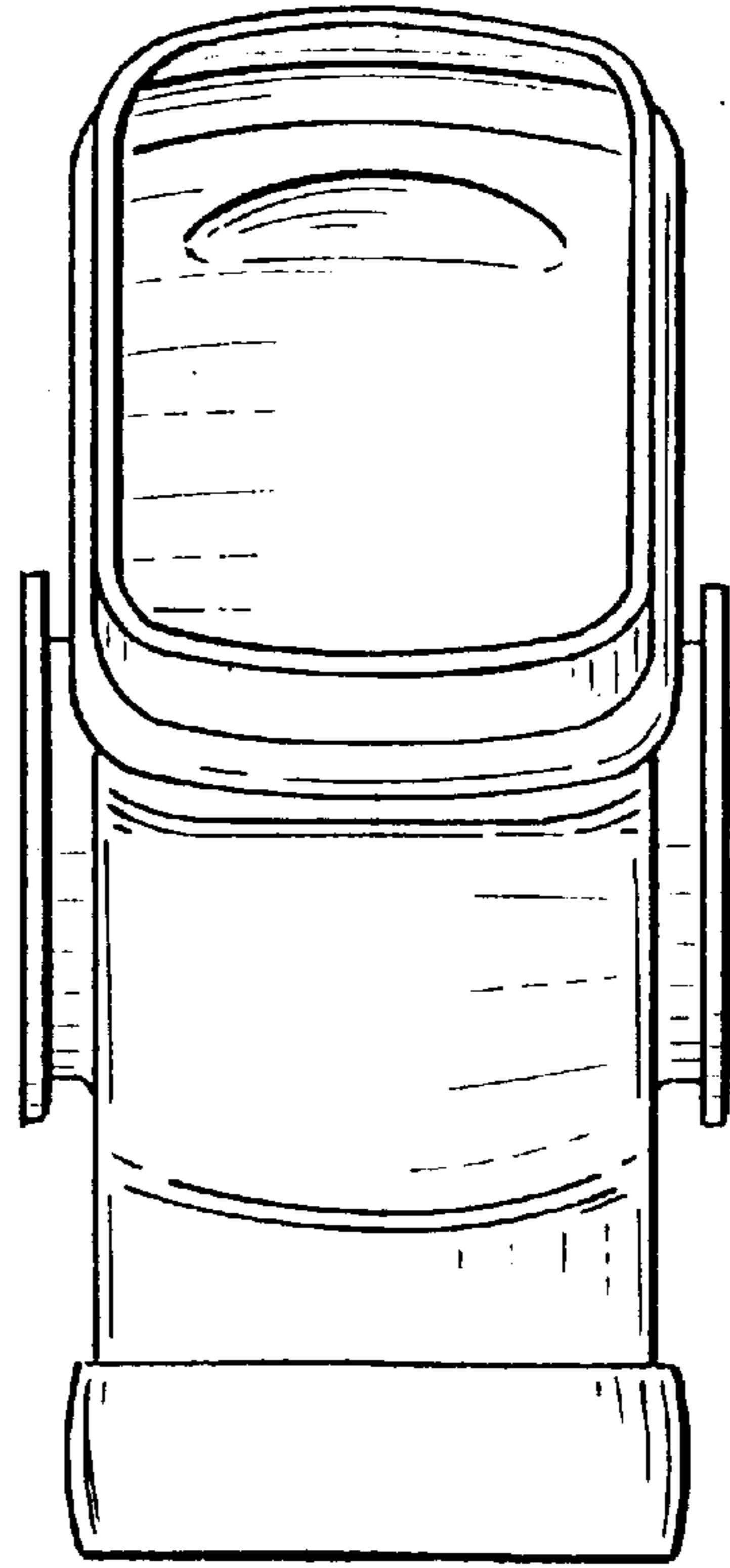


FIG. 10

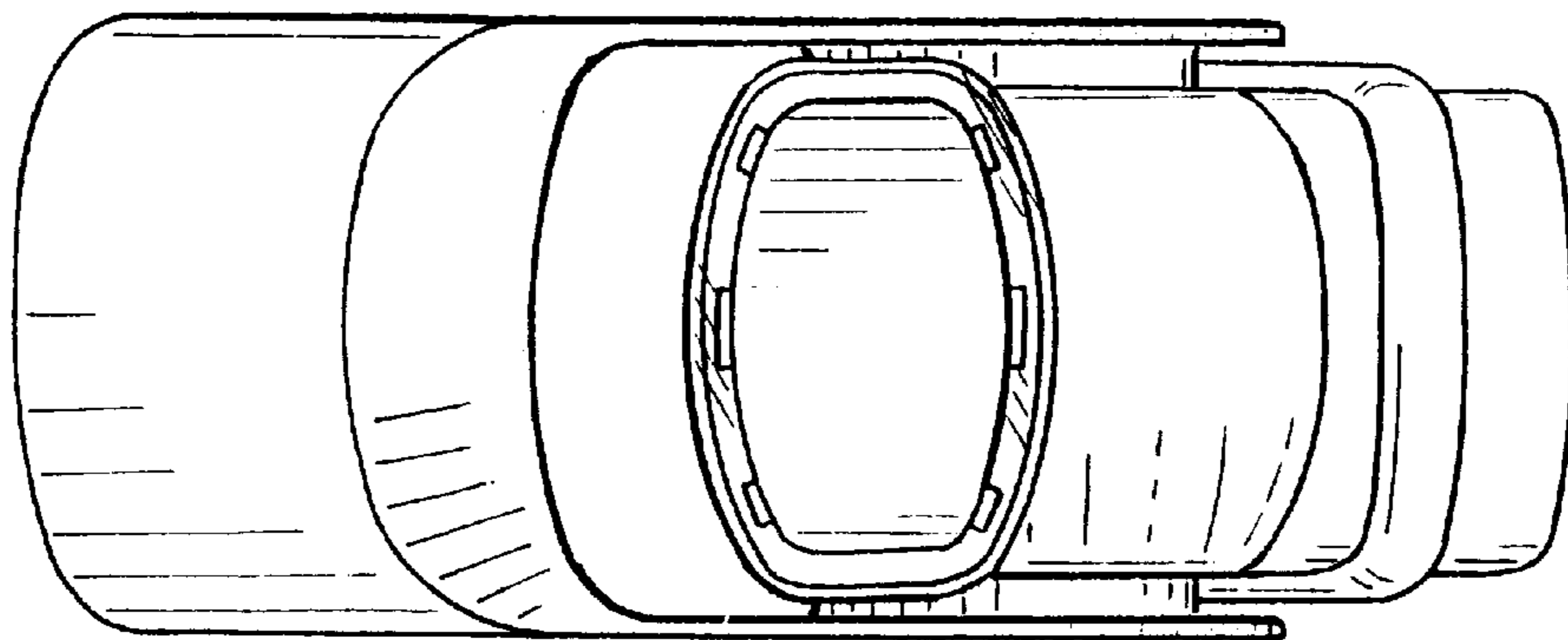


FIG. 11