



US00D471406S

(12) **United States Design Patent**
Wellner

(10) **Patent No.:** **US D471,406 S**

(45) **Date of Patent:** **** Mar. 11, 2003**

- (54) **BOWL**
- (75) Inventor: **Lucie L. Wellner**, Pompey, NY (US)
- (73) Assignee: **Syracuse China Company**, Syracuse, NY (US)
- (**) Term: **14 Years**
- (21) Appl. No.: **29/156,172**
- (22) Filed: **Feb. 25, 2002**
- (51) **LOC (7) Cl.** **07-01**
- (52) **U.S. Cl.** **D7/584; D7/587; D7/558; D7/503**
- (58) **Field of Search** **D7/503, 538, 545, D7/558, 562, 565, 584-586, 587, 601, 602, 603, 505, 630, 540; 220/669, 574, 575, 657, 506, 628, 771; 206/525, 564; 229/938; 211/14; 428/34.1**

- 3,100,054 A * 8/1963 Rudens 220/574
- 3,565,281 A * 2/1971 Collie 220/506
- 4,506,799 A * 3/1985 Mason, Jr. 220/628
- D279,445 S * 7/1985 Jagger D7/558
- D296,746 S * 7/1988 Wiinblad D7/587
- 5,082,140 A * 1/1992 Swenson 220/669
- D417,818 S * 12/1999 Lillelund et al. D7/503
- D419,382 S * 1/2000 Horvat D7/558
- D442,831 S * 5/2001 Jacobs D7/584
- D443,478 S * 6/2001 Miller D7/540
- D450,219 S * 11/2001 Smith D7/538
- 6,416,828 B1 * 7/2002 Miyazaki et al. 428/34.1

* cited by examiner

Primary Examiner—M. N. Pandozzi
(74) *Attorney, Agent, or Firm*—Emch, Schaffer, Schaub & Porcello Co., L.P.A.

(57) **CLAIM**

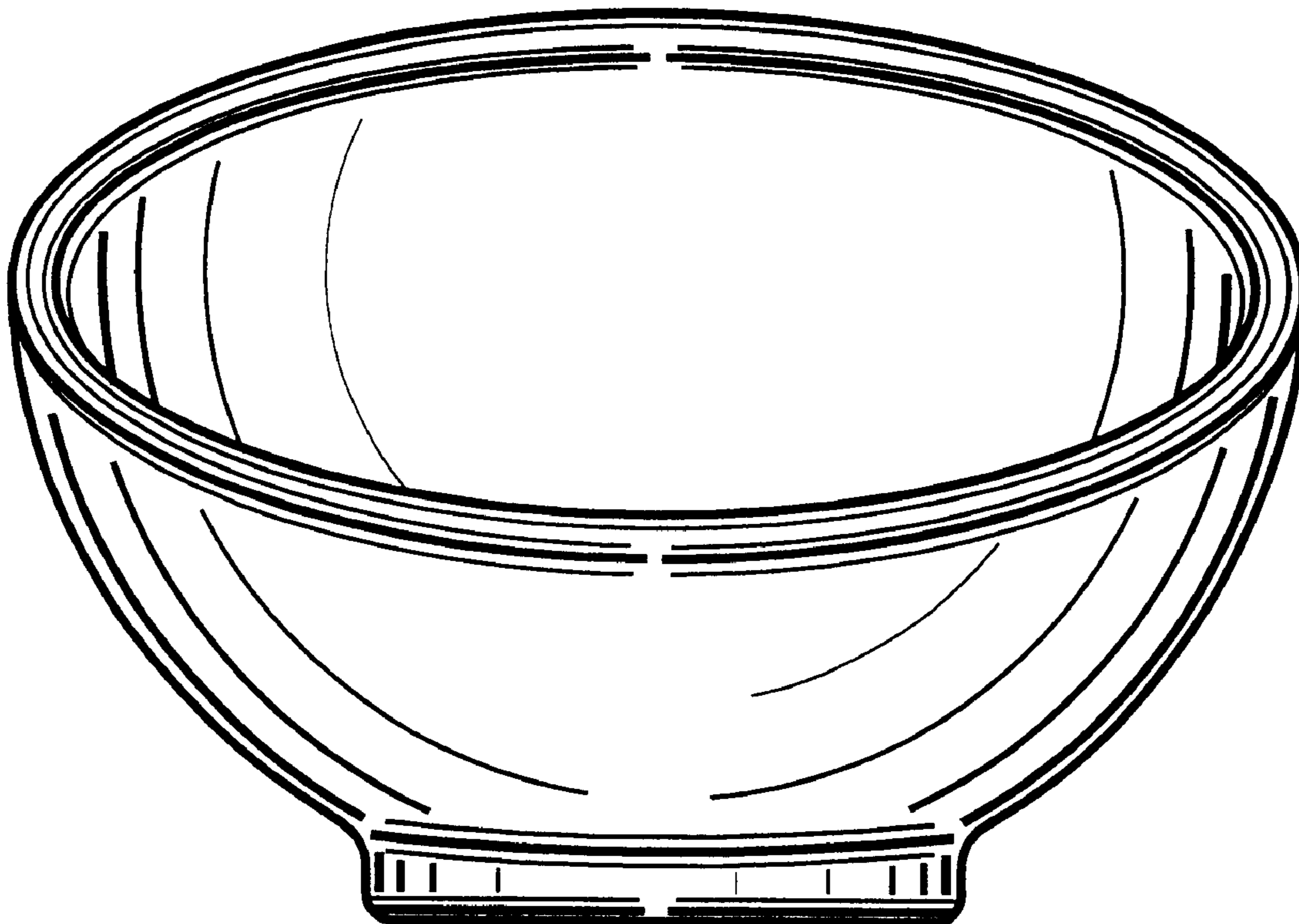
The ornamental design for a bowl, as shown and described.

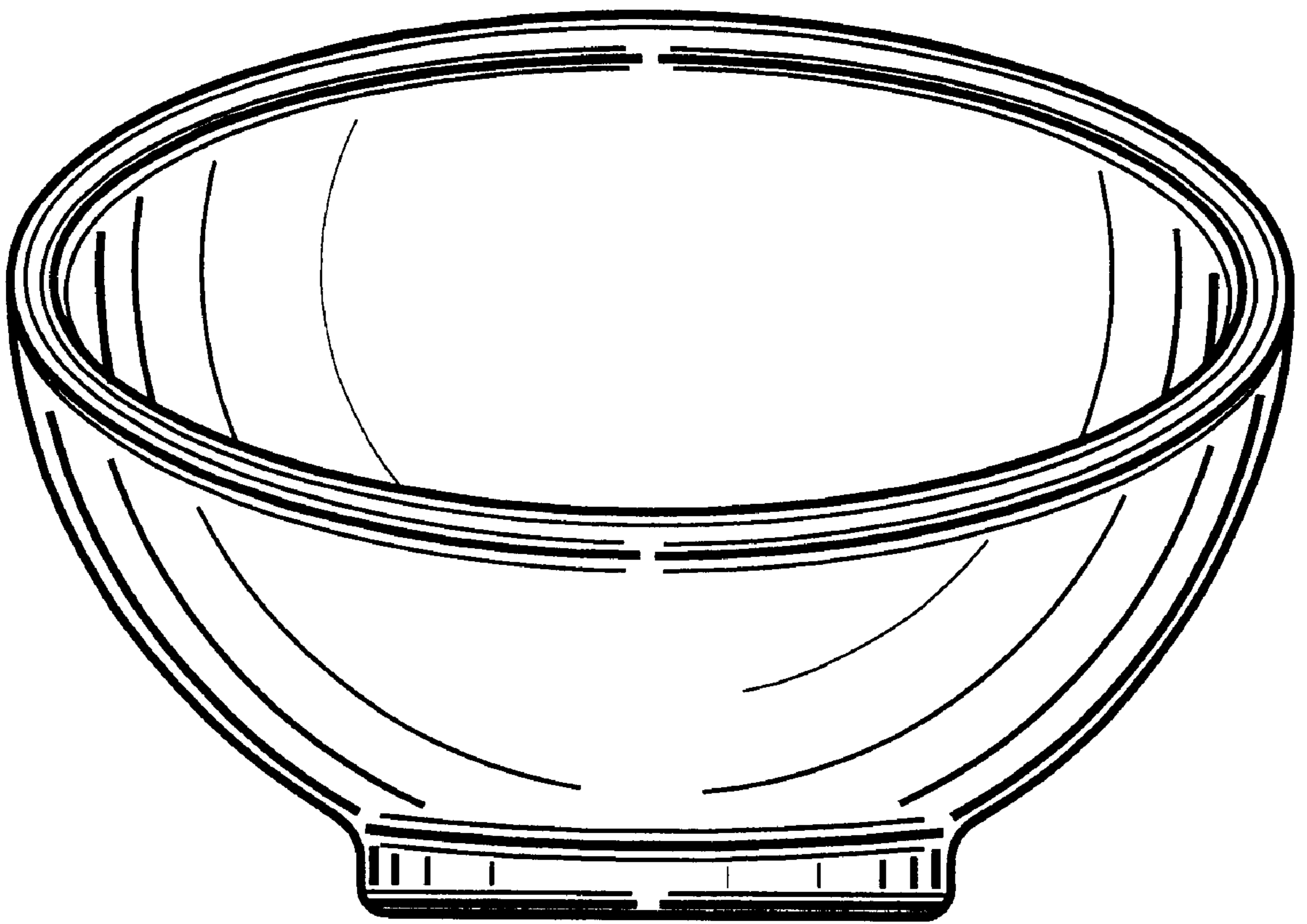
DESCRIPTION

FIG. 1 is a front elevational view of a bowl according to the present design;
FIG. 2 is a side elevational view thereof; the other side elevational views being the same;
FIG. 3 is a back elevational view thereof;
FIG. 4 is a top view thereof; and,
FIG. 5 is a bottom view thereof.

1 Claim, 3 Drawing Sheets

- (56) **References Cited**
- U.S. PATENT DOCUMENTS**
- D110,902 S * 8/1938 Loesch D7/558
- D112,179 S * 11/1938 Reineck et al. D7/584
- D151,160 S * 9/1948 Manca D7/630
- D168,092 S * 11/1952 Hedu D7/503
- D169,314 S * 4/1953 Heisey D7/558
- D180,012 S * 4/1957 Buechler D7/505
- D180,329 S * 5/1957 Highberger D7/587
- D193,198 S * 7/1962 Cumbus D7/558 X





— FIG. 1

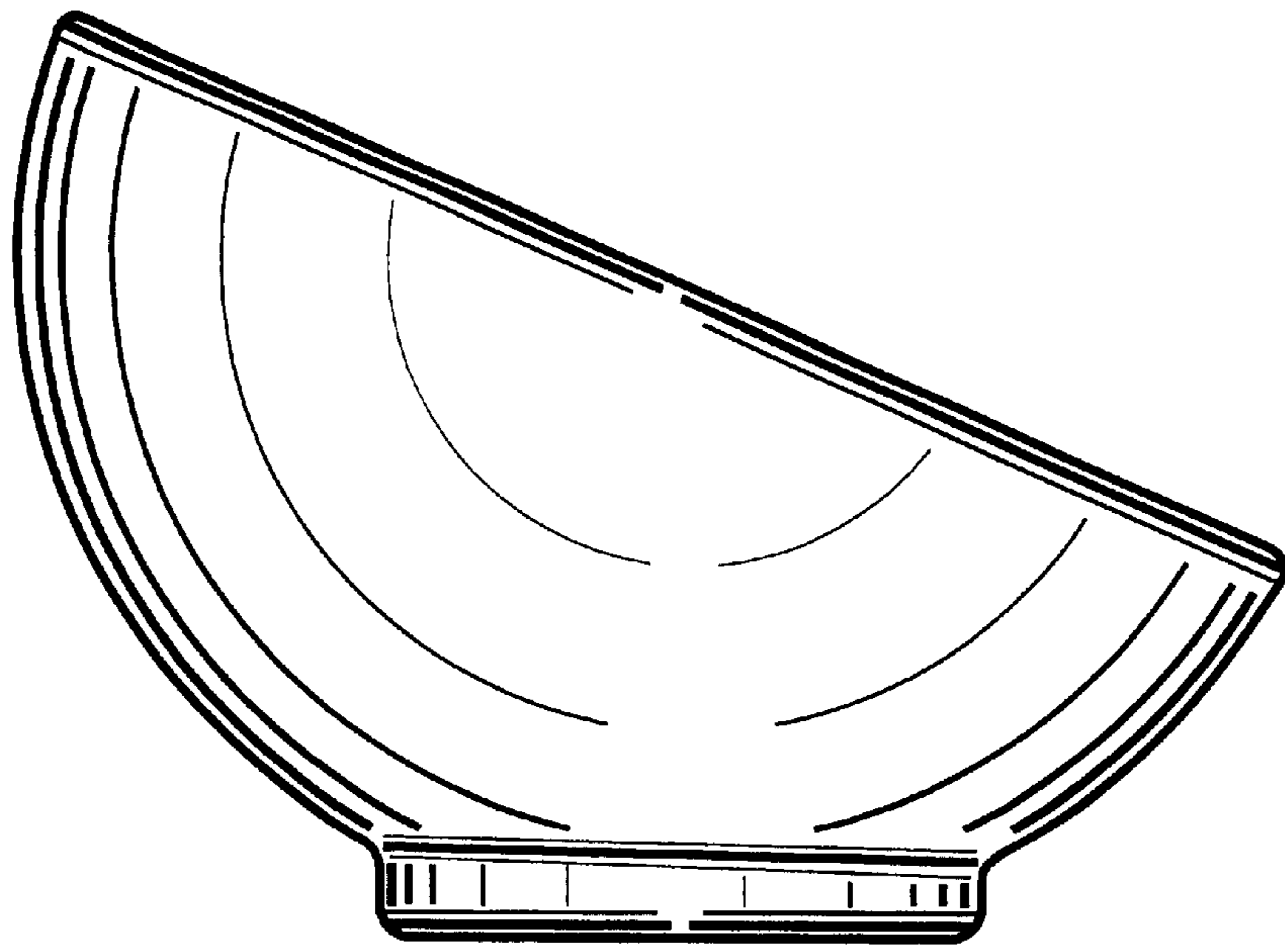


FIG. 2

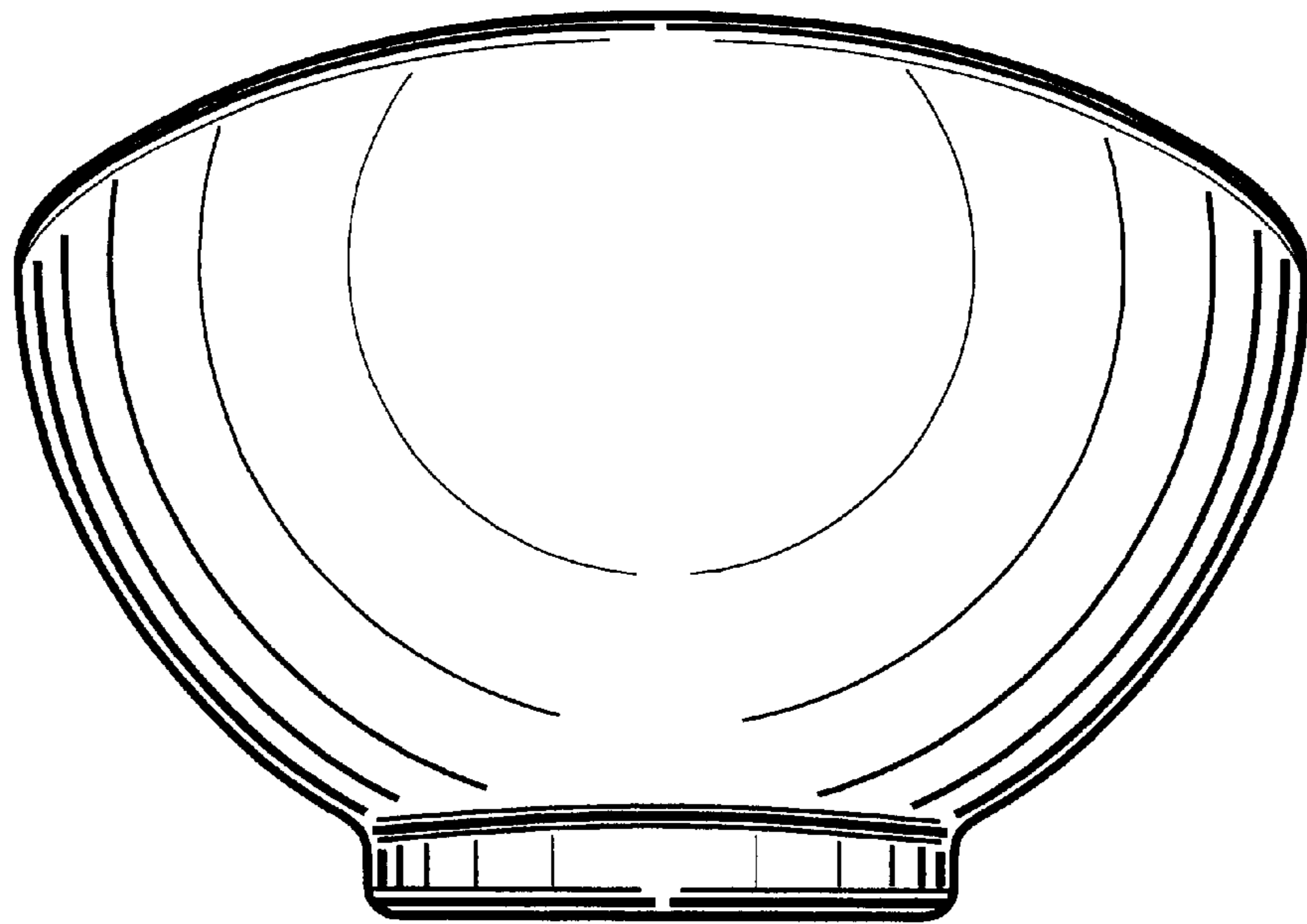
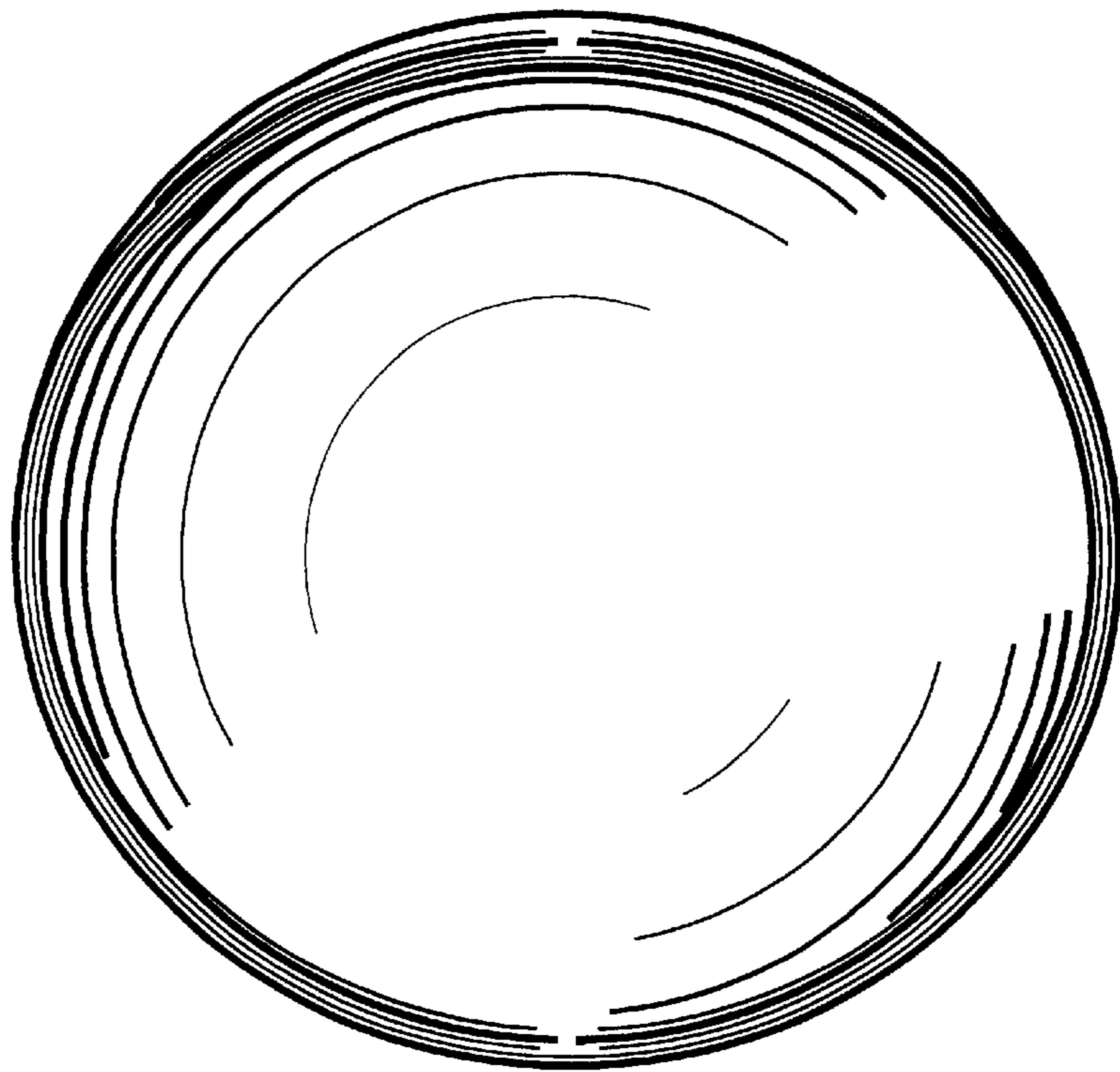
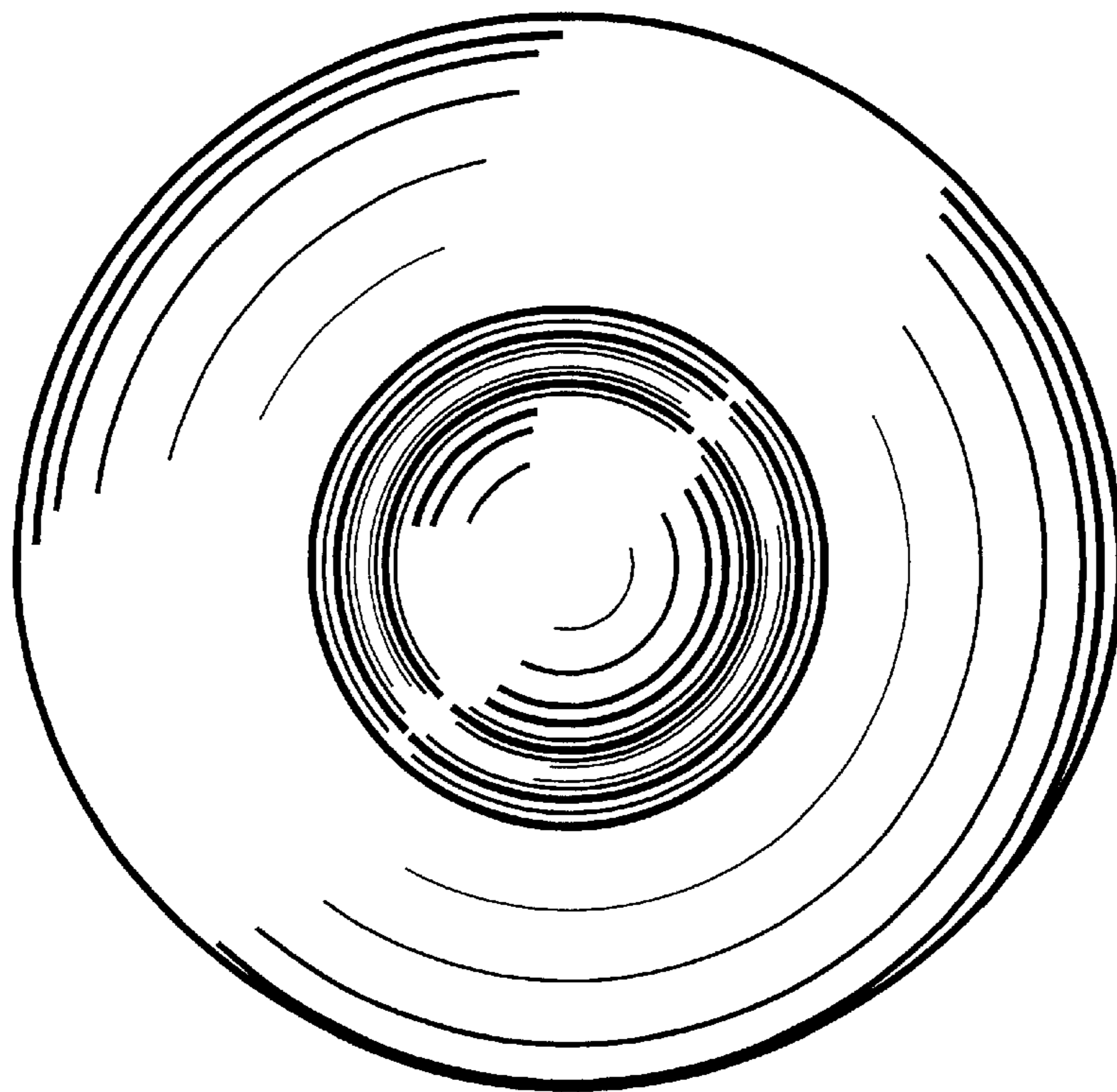


FIG. 3



—FIG. 4



—FIG. 5