



US00D471403S

(12) **United States Design Patent**
Jones et al.

(10) **Patent No.:** **US D471,403 S**

(45) **Date of Patent:** **** Mar. 11, 2003**

(54) **WARMING DRAWER FRONT PANEL**

(75) Inventors: **Charles L. Jones**, Stevensville, MI (US); **Philip M. Thompson**, St. Joseph, MI (US); **Tania L. Aldous**, St. Joseph, MI (US); **Mark W. Baldwin**, St. Joseph, MI (US); **Viorel Luminosu**, St. Joseph, MI (US)

(73) Assignee: **Whirlpool Corporation**, Benton Harbor, MI (US)

(**) Term: **14 Years**

(21) Appl. No.: **29/156,882**

(22) Filed: **Mar. 8, 2002**

(51) **LOC (7) Cl.** **07-02**

(52) **U.S. Cl.** **D7/405**

(58) **Field of Search** D7/340-408; 312/330.1; D6/510, 494, 432, 438, 492; 126/273 R, 39 B, 39 C, 37 A, 39

(56) **References Cited**

U.S. PATENT DOCUMENTS

D106,421 S * 10/1937 Blakeslee D7/340

2,220,414 A * 11/1940 Kritzer 126/273 R
2,438,035 A * 3/1948 Buhman et al. 126/39
D160,798 S * 11/1950 Little D7/340
D316,357 S * 4/1991 Chanda D7/405
D375,867 S * 11/1996 Sparks D7/340

* cited by examiner

Primary Examiner—Catherine R. Oliver

(74) *Attorney, Agent, or Firm*—Robert O. Rice; Stephen Krefman; John F. Colligan

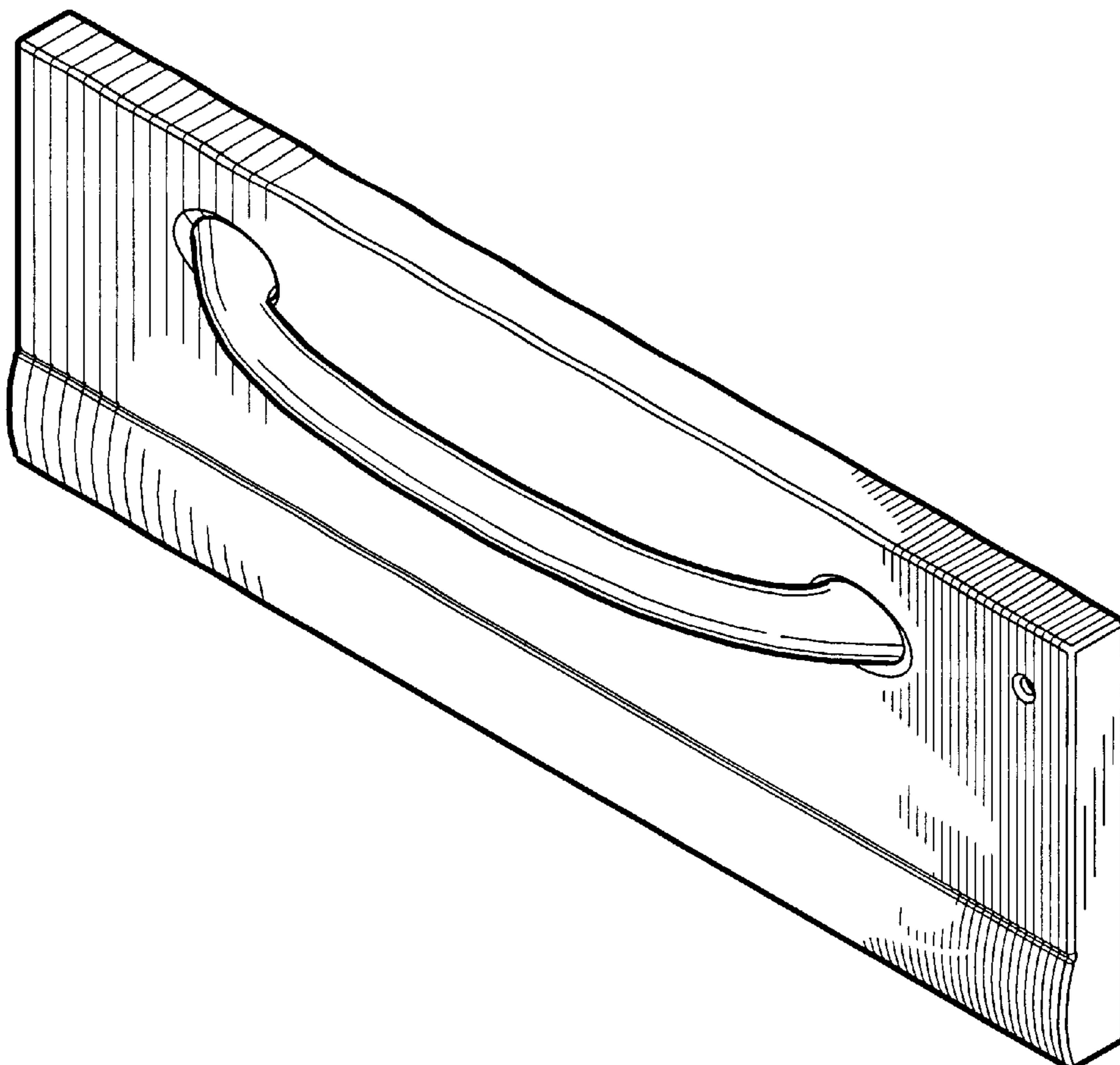
(57) **CLAIM**

The ornamental design for a warming drawer front panel, as shown and described.

DESCRIPTION

FIG. 1 is a front perspective view of the warming drawer front panel showing our new design;
FIG. 2 is a front elevational view thereof;
FIG. 3 is a top plan view thereof,
FIG. 4 is a right side elevational view thereof; and,
FIG. 5 is a left side elevational view thereof.

1 Claim, 2 Drawing Sheets



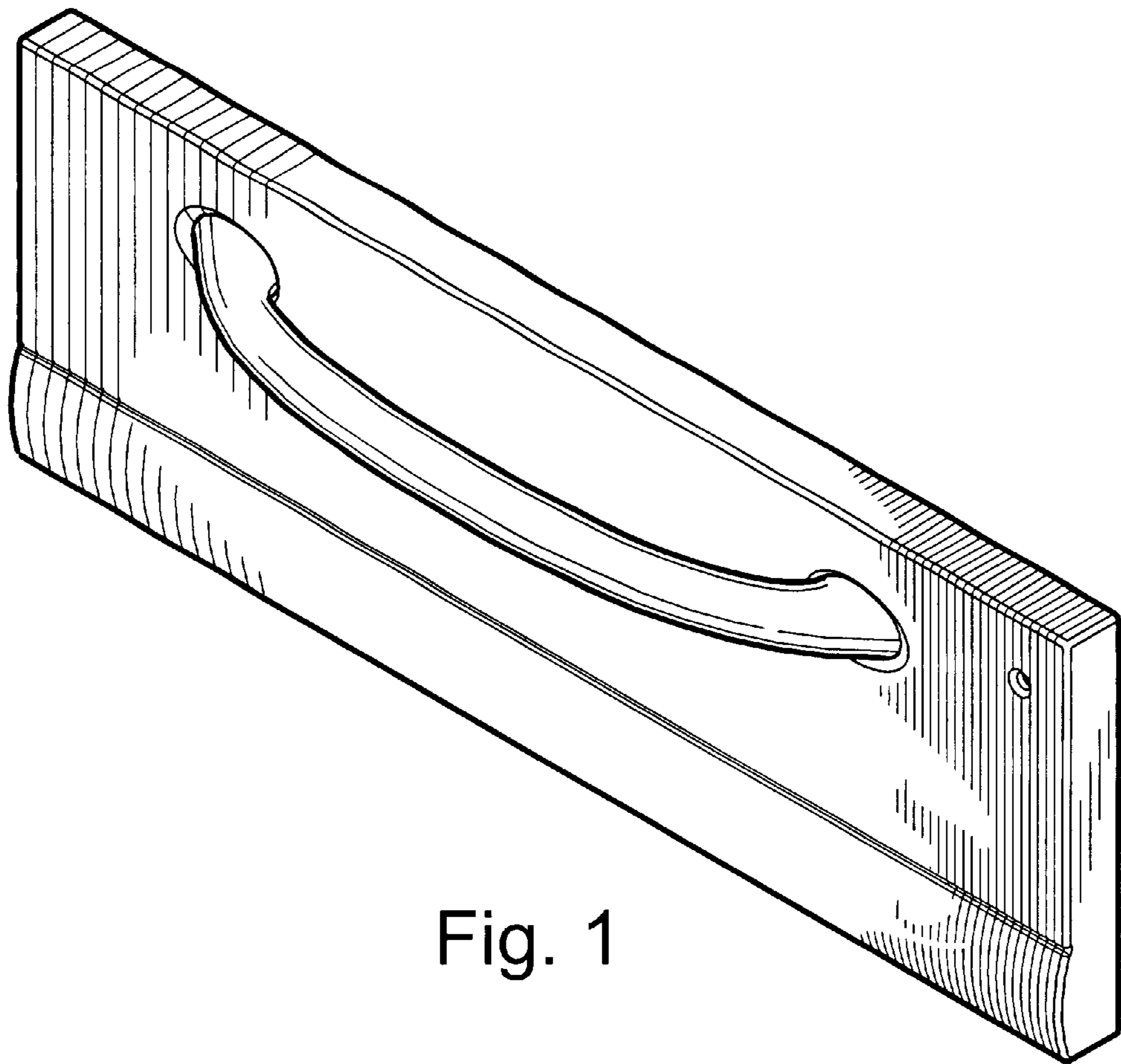


Fig. 1

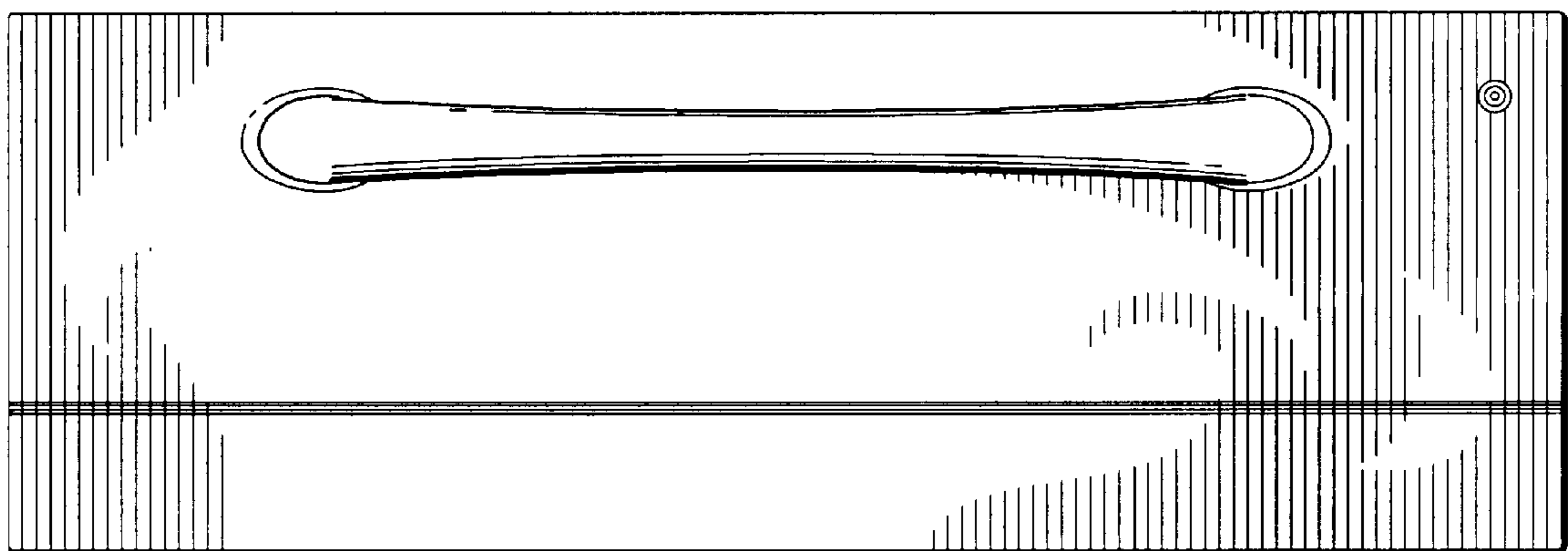


Fig. 2

Fig. 3

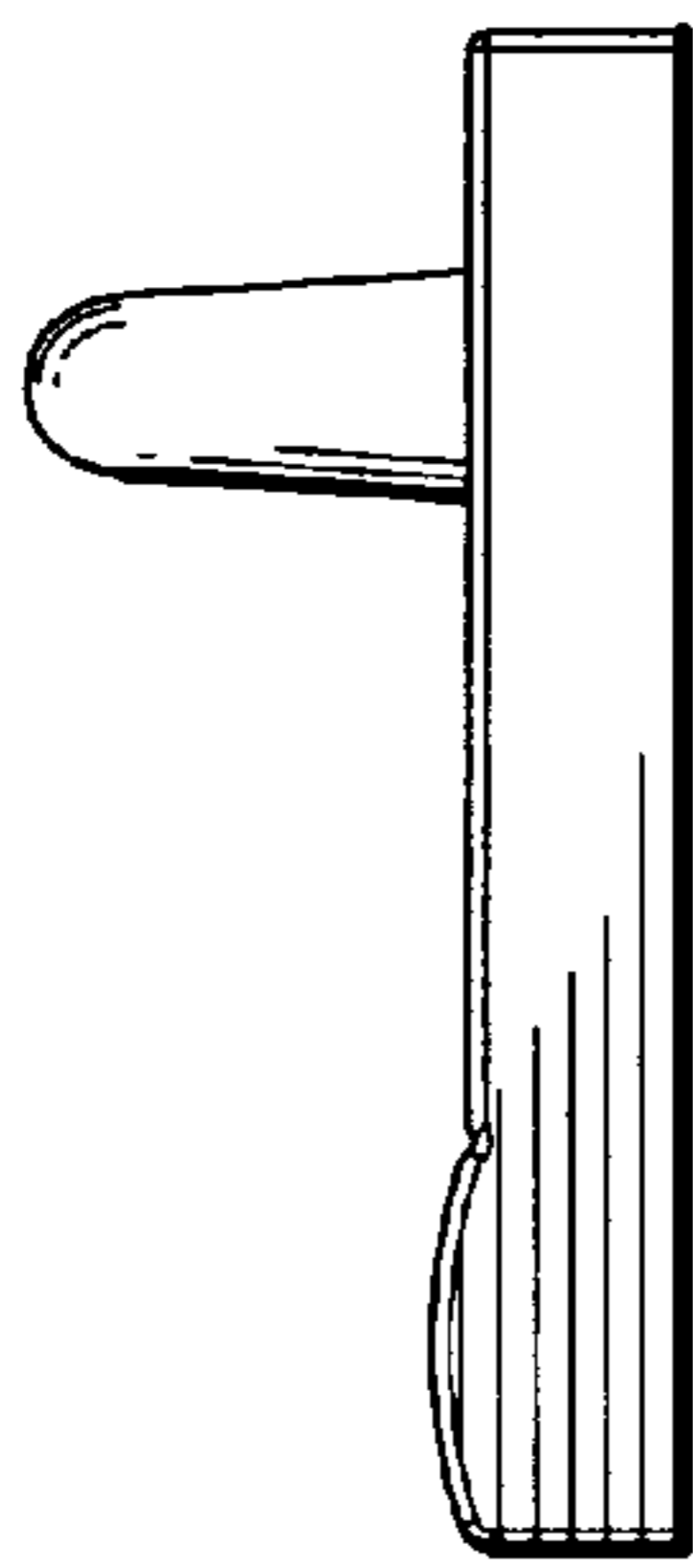
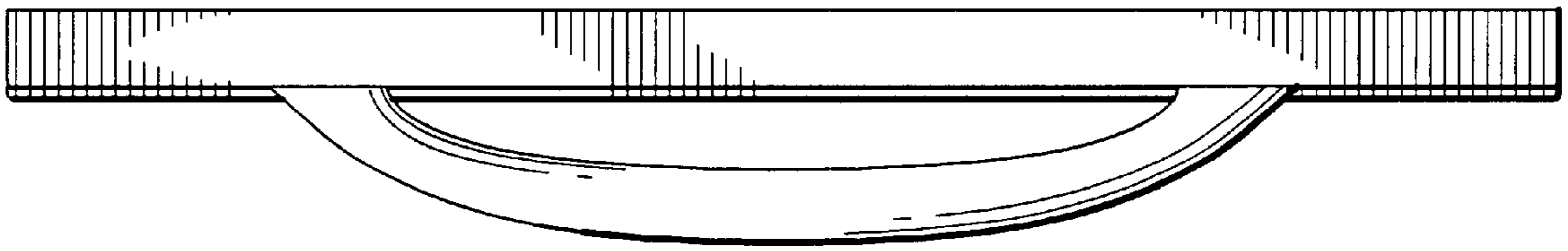


Fig. 4

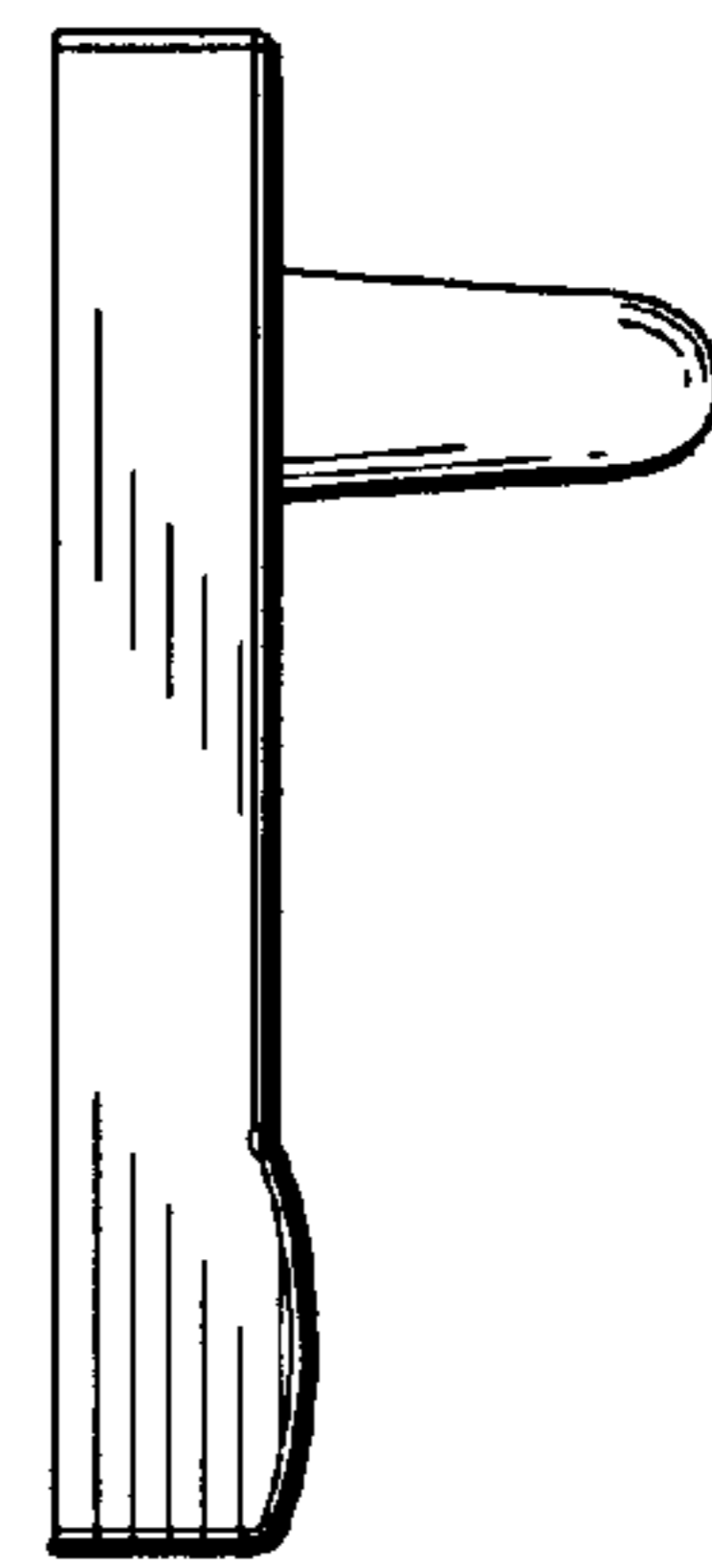


Fig. 5