



US00D471402S

(12) **United States Design Patent**  
**Krizan et al.**

(10) **Patent No.:** **US D471,402 S**

(45) **Date of Patent:** **\*\* Mar. 11, 2003**

(54) **HANDLE GRIP**

(75) **Inventors:** **Dennis P. Krizan**, Alpharetta, GA (US);  
**Stephen J. Gosk**, Laguna Niguel, CA (US)

(73) **Assignee:** **Siemens Energy & Automation, Inc.**, Alpharetta, GA (US)

(\*\*) **Term:** **14 Years**

(21) **Appl. No.:** **29/125,790**

(22) **Filed:** **Jun. 29, 2000**

(51) **LOC (7) Cl.** ..... **07-02**

(52) **U.S. Cl.** ..... **D7/401.2**

(58) **Field of Search** ..... D7/401.2, 359,  
D7/393, 394, 395, 402, 682, 683, 685,  
688, 690, 691, 692, 693, 694, 695; D8/42,  
83, 93, 99, 107, 303, 393; D21/729; D3/12;  
16/110.1, 430, 431

(56) **References Cited**

**U.S. PATENT DOCUMENTS**

D319,164 S \* 8/1991 Rosenthal ..... D7/395

D353,513 S \* 12/1994 Kong ..... D7/395  
5,645,501 A \* 7/1997 Huang ..... 473/549  
D389,014 S \* 1/1998 Hasegawa ..... D7/401.2  
D440,817 S \* 4/2001 Armando et al. .... D7/401.2  
D442,024 S \* 5/2001 Sassone ..... D7/395  
D444,030 S \* 6/2001 Backstrom et al. .... D7/401.2

\* cited by examiner

*Primary Examiner*—Ted Shooman  
*Assistant Examiner*—Daniel Bui

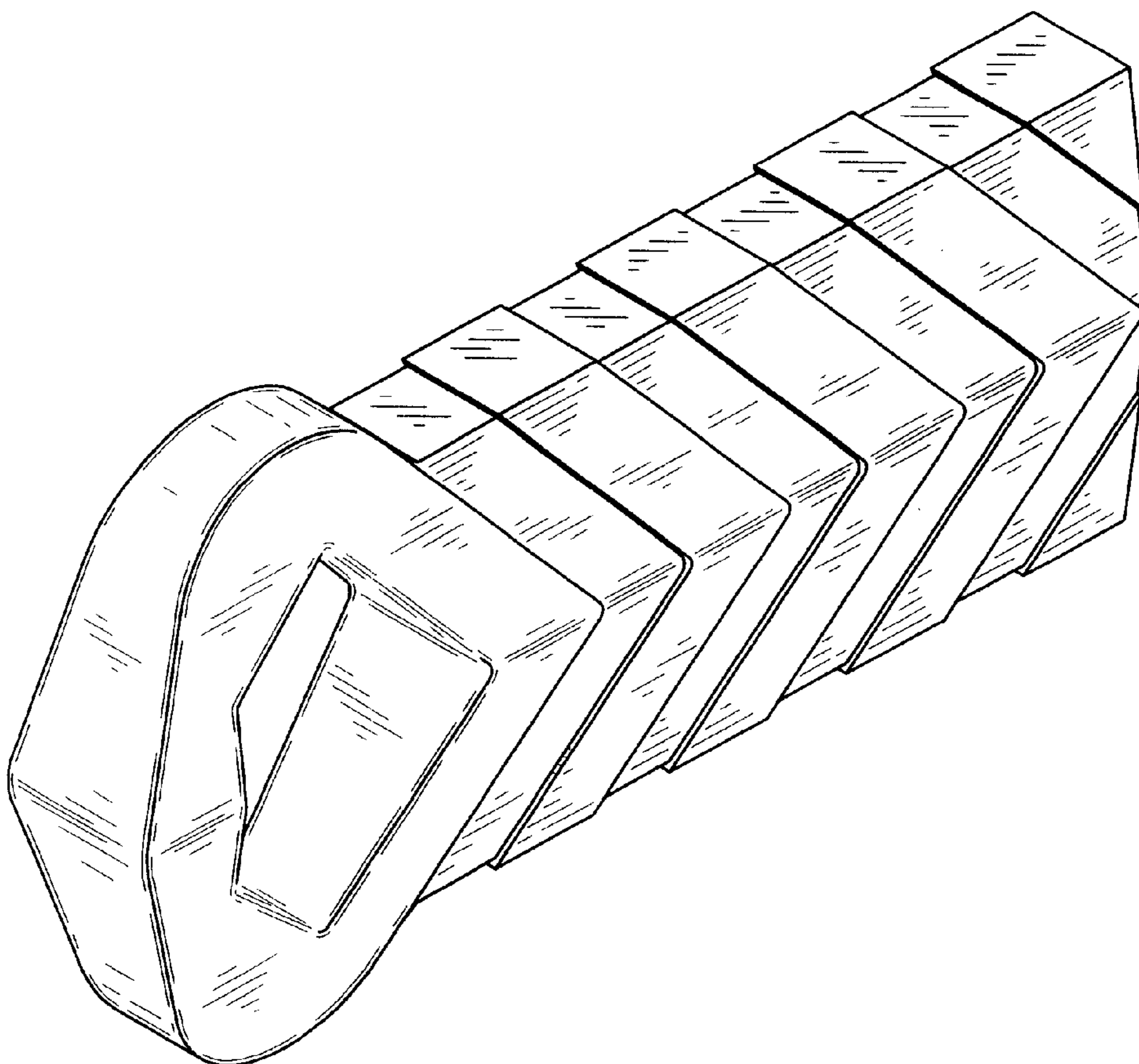
(57) **CLAIM**

The ornamental design for a handle grip, as shown and described.

**DESCRIPTION**

FIG. 1 is a perspective view of the handle grip of the present invention;  
FIG. 2 is a right side view;  
FIG. 3 is a top plan view;  
FIG. 4 is a front view; and,  
FIG. 5 is a rear view.

**1 Claim, 2 Drawing Sheets**



**FIG. 1**

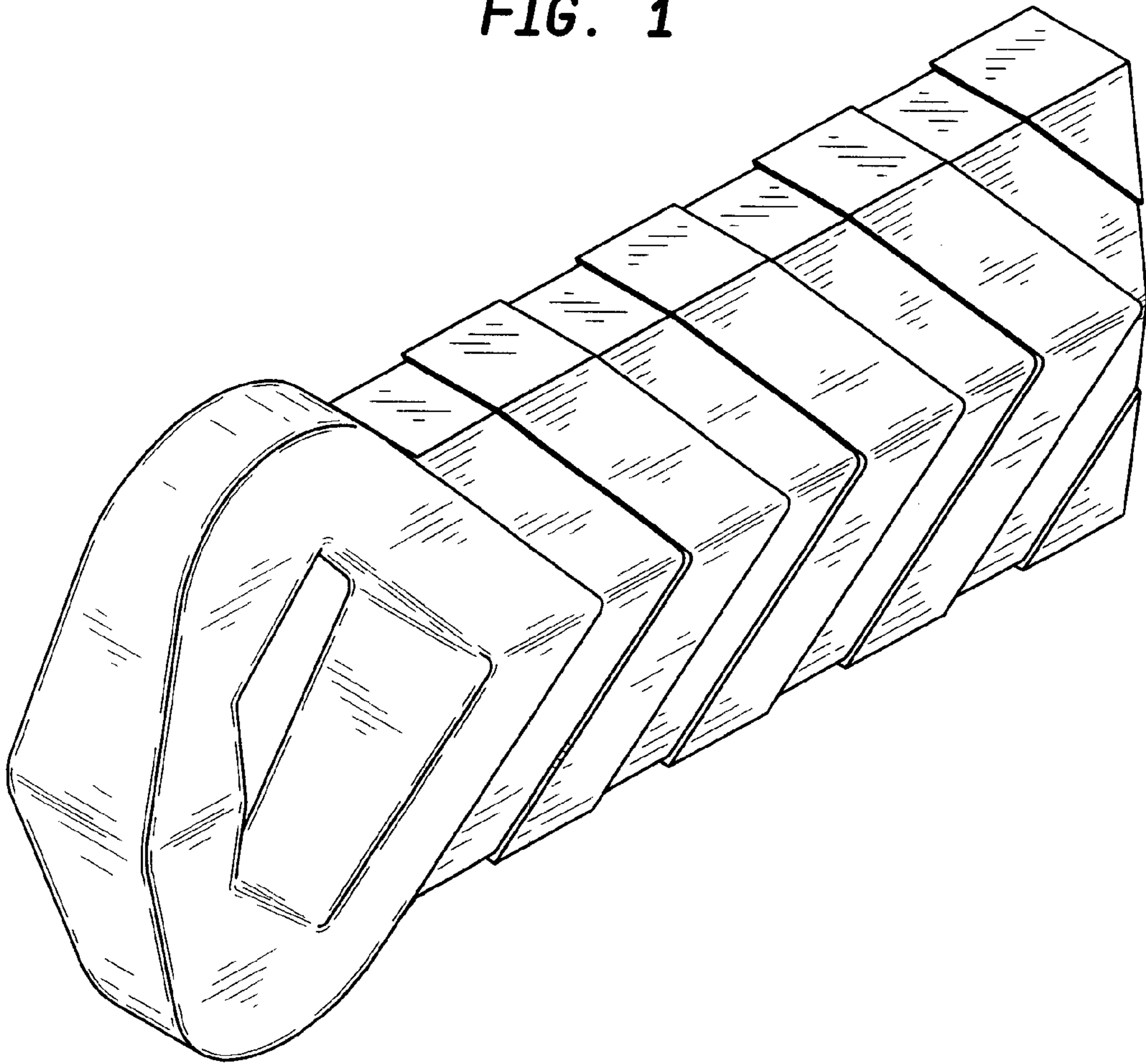


FIG. 2

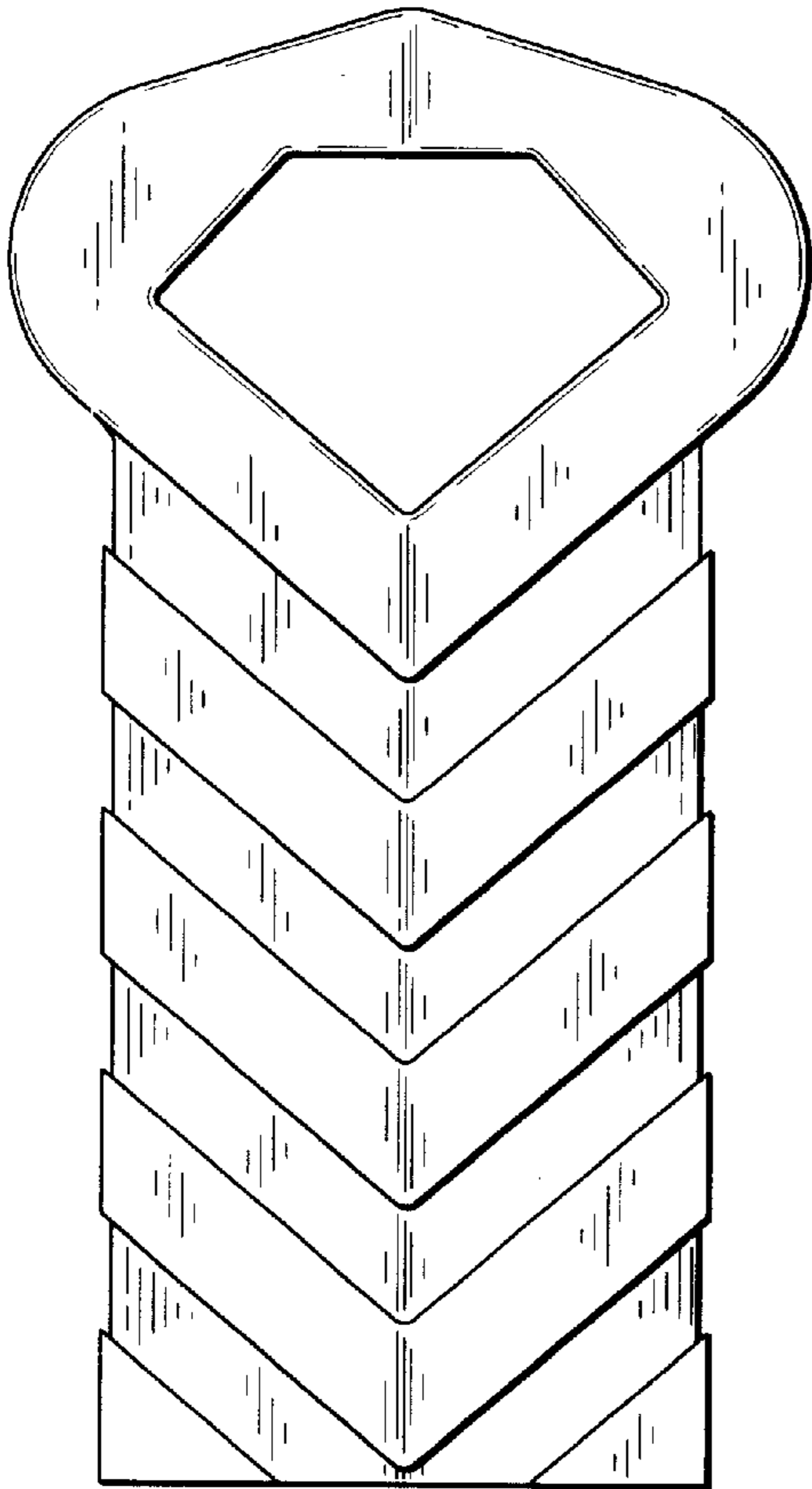


FIG. 3

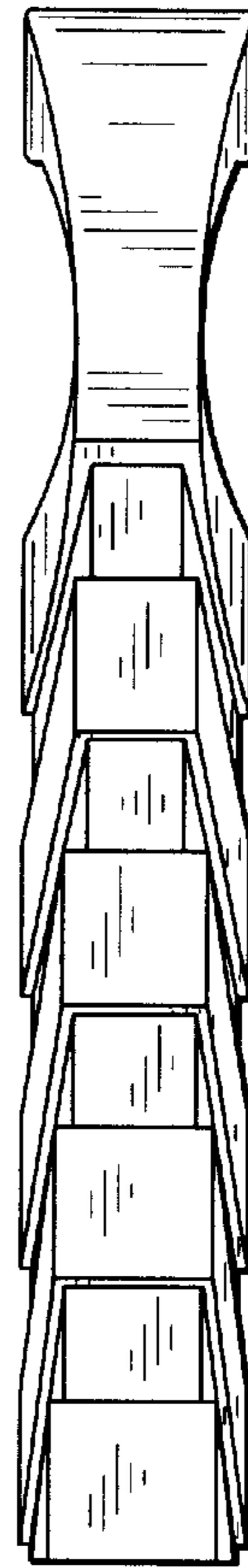


FIG. 4

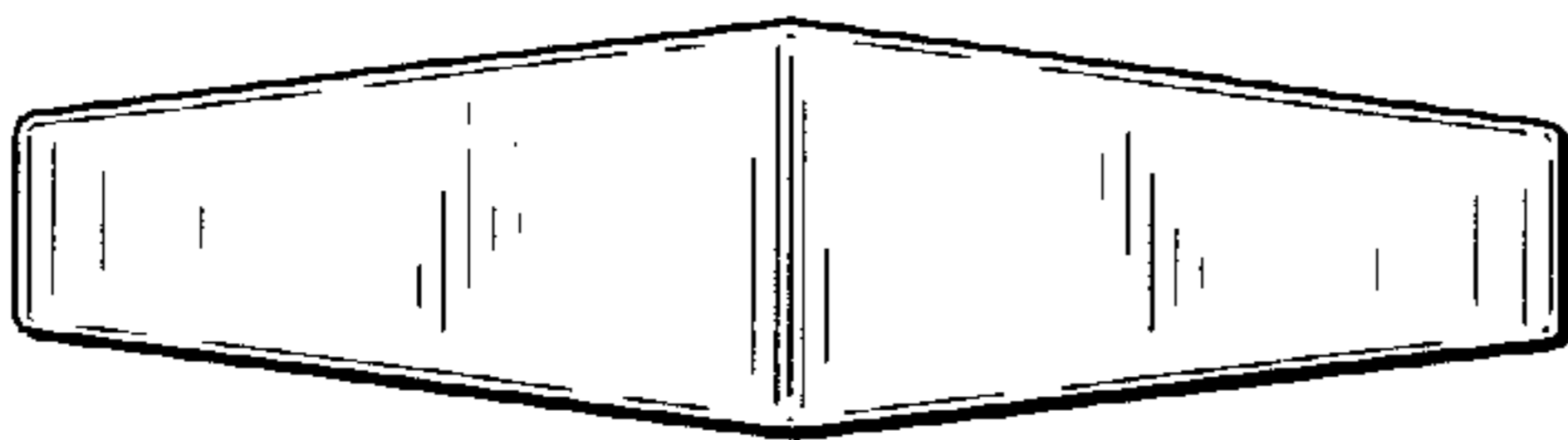


FIG. 5

