



US00D471397S

(12) **United States Design Patent**
Wright

(10) **Patent No.:** **US D471,397 S**

(45) **Date of Patent:** **** Mar. 11, 2003**

(54) **BACON COOKER**

(75) **Inventor:** **Sabrina A. Wright, Bellevue, WA (US)**

(73) **Assignee:** **Progressive International Corp., Kent, WA (US)**

(**) **Term:** **14 Years**

(21) **Appl. No.:** **29/157,671**

(22) **Filed:** **Mar. 20, 2002**

(51) **LOC (7) Cl.** **07-02**

(52) **U.S. Cl.** **D7/359**

(58) **Field of Search** D7/323, 354-361,
D7/409; 99/324, 422, 425, 426, 444-446,
448; 220/573.1, 912

(56) **References Cited**

U.S. PATENT DOCUMENTS

4,214,515 A	7/1980	Kubiatowicz	
D257,115 S	* 9/1980	Anderson D7/359
4,343,978 A	8/1982	Kubiatowicz	
D268,981 S	* 5/1983	Monson D7/359
4,786,513 A	11/1988	Monforton et al.	
4,847,461 A	7/1989	Gilmore	
4,857,342 A	8/1989	Kappes	
4,862,791 A	9/1989	Baughey	

4,933,528 A	6/1990	Barr	
4,952,764 A	8/1990	Harrington	
4,954,356 A	9/1990	Kappes	
5,096,722 A	3/1992	Bair	
D363,410 S	* 10/1995	Hazen D7/359
D365,495 S	* 12/1995	O'Higgins D7/359
5,650,085 A	7/1997	Chen	
5,714,740 A	2/1998	Kelly et al.	
6,211,502 B1	4/2001	Hechler, IV	

* cited by examiner

Primary Examiner—Caron D. Veynar
(74) *Attorney, Agent, or Firm*—Black Lowe & Graham PLLC

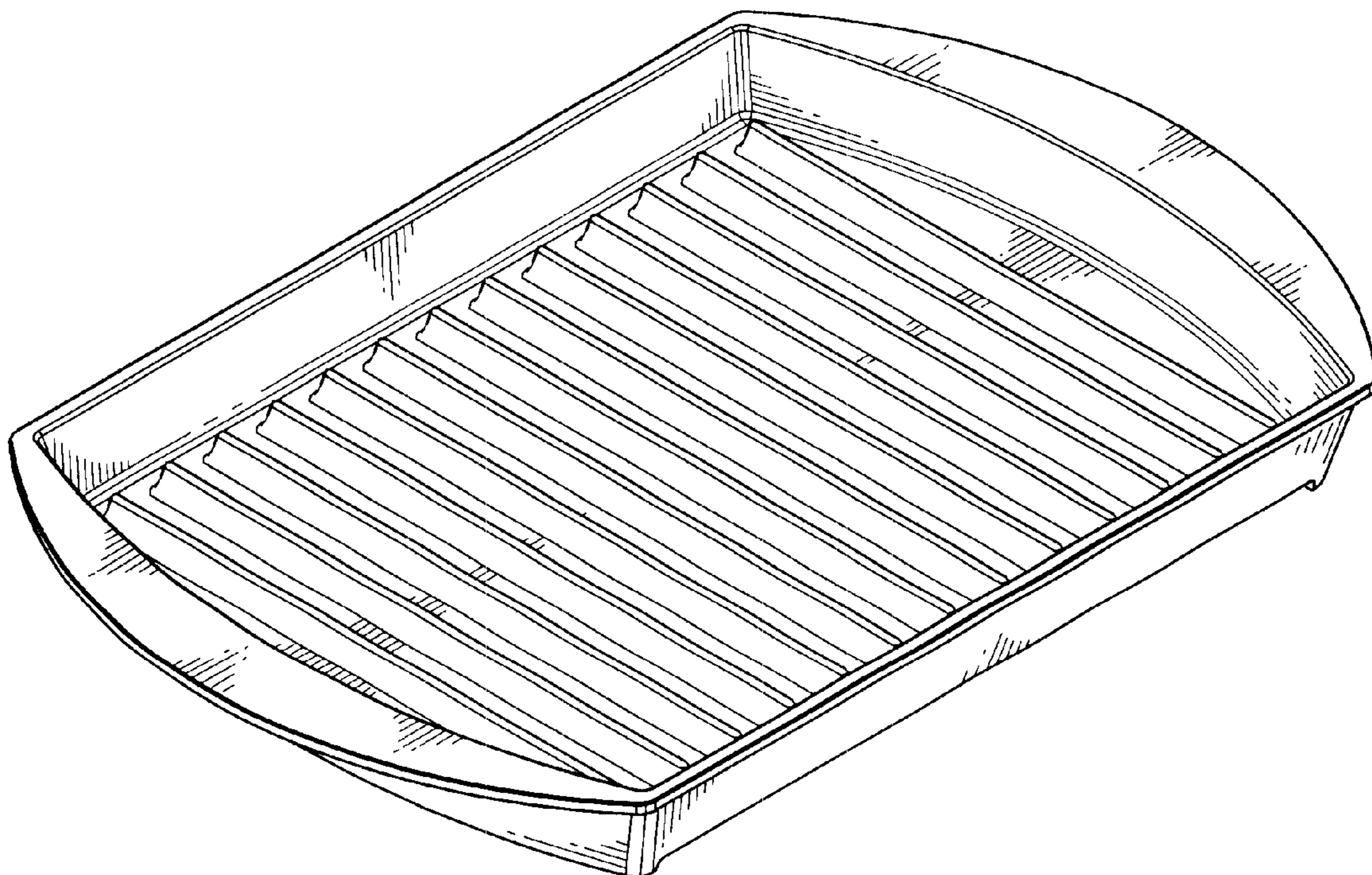
(57) **CLAIM**

The ornamental design for a bacon cooker, as shown and described.

DESCRIPTION

FIG. 1 is an isometric view of the bacon cooker;
FIG. 2 is a top plan view;
FIG. 3 is a bottom plan view;
FIG. 4 is a front end view, which is substantially identical to the rear end view; and,
FIG. 5 is a right side view, which is substantially identical to the left side view.

1 Claim, 4 Drawing Sheets



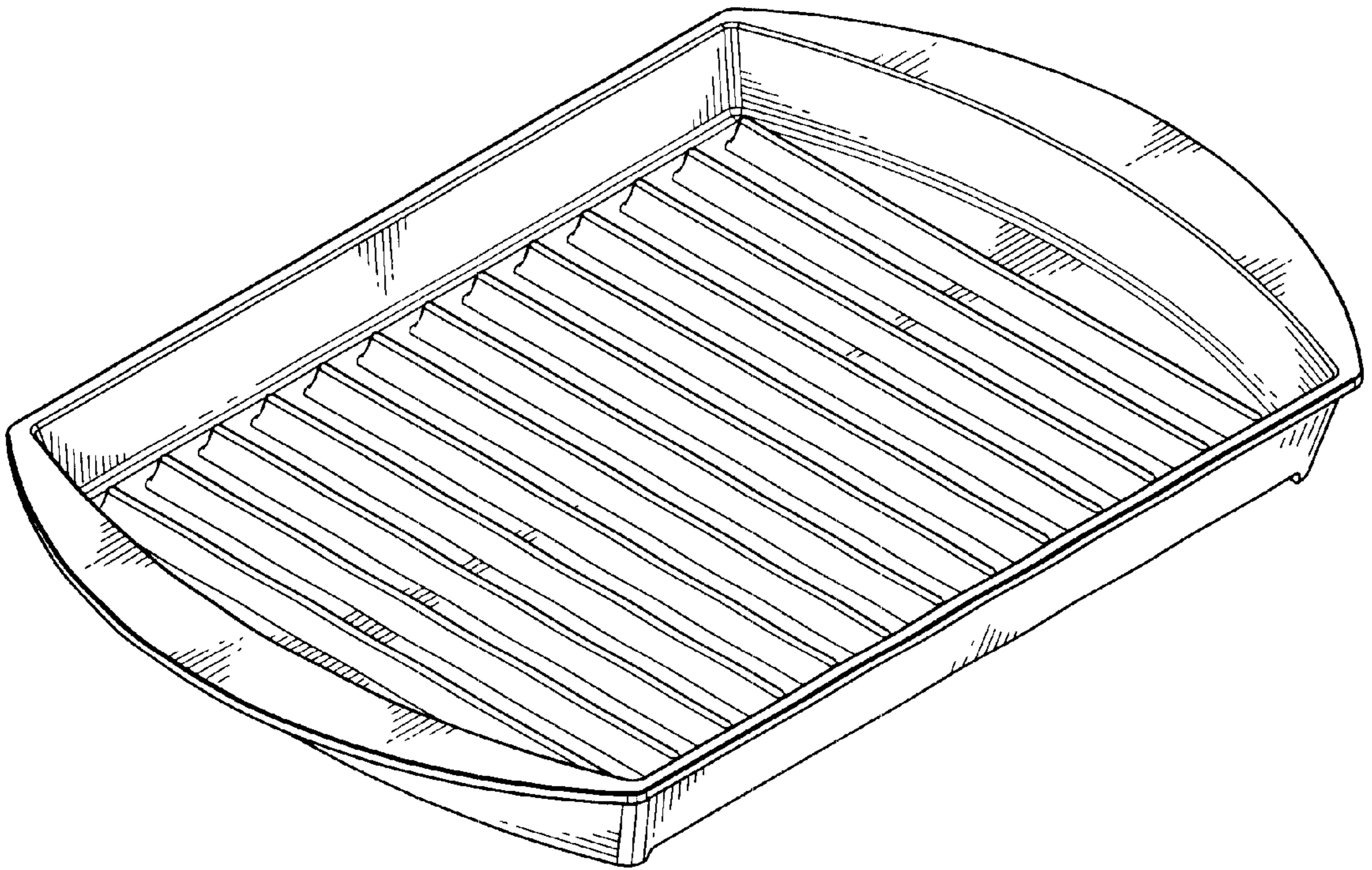


Fig. 1.

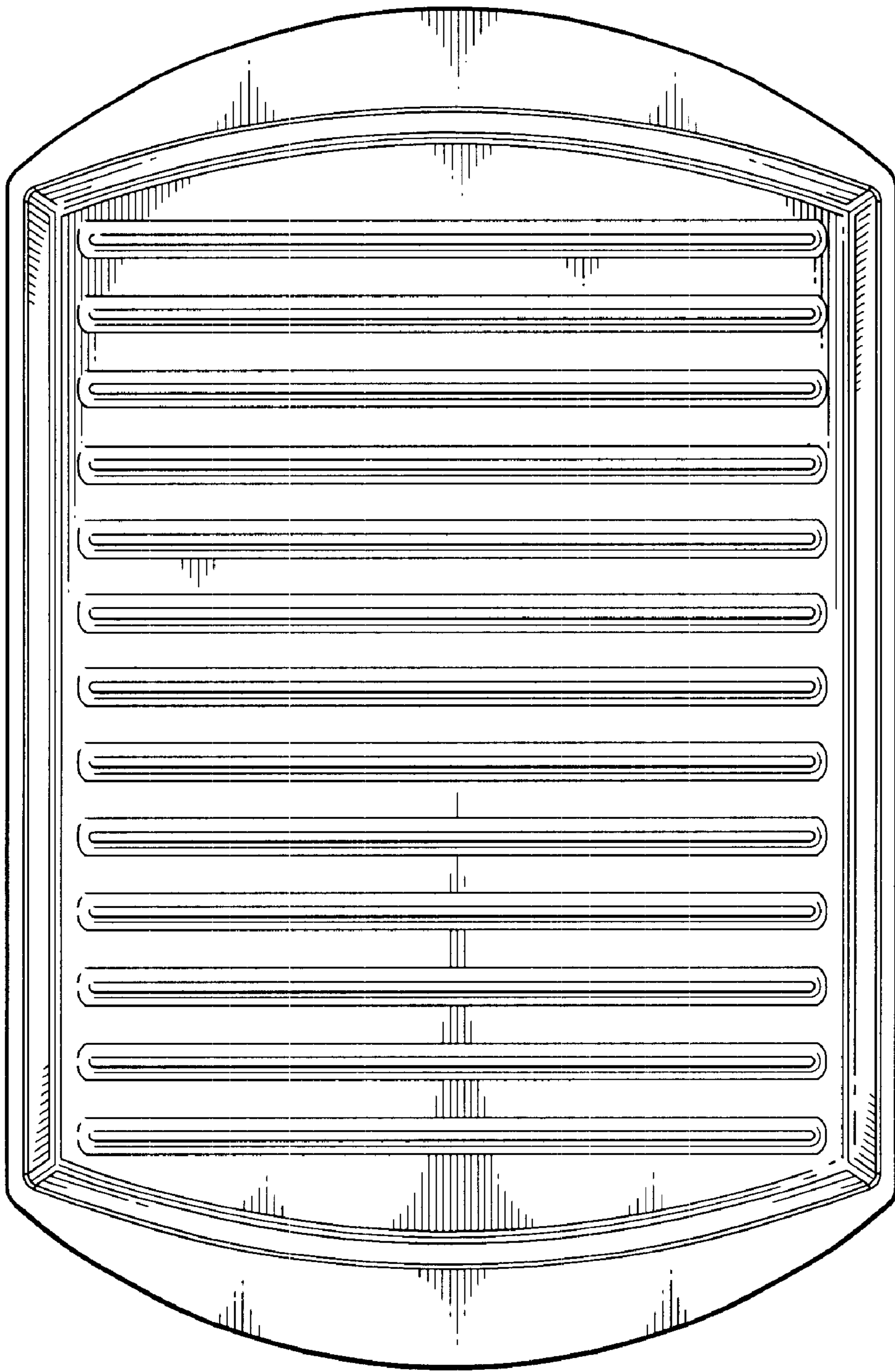


Fig. 2.

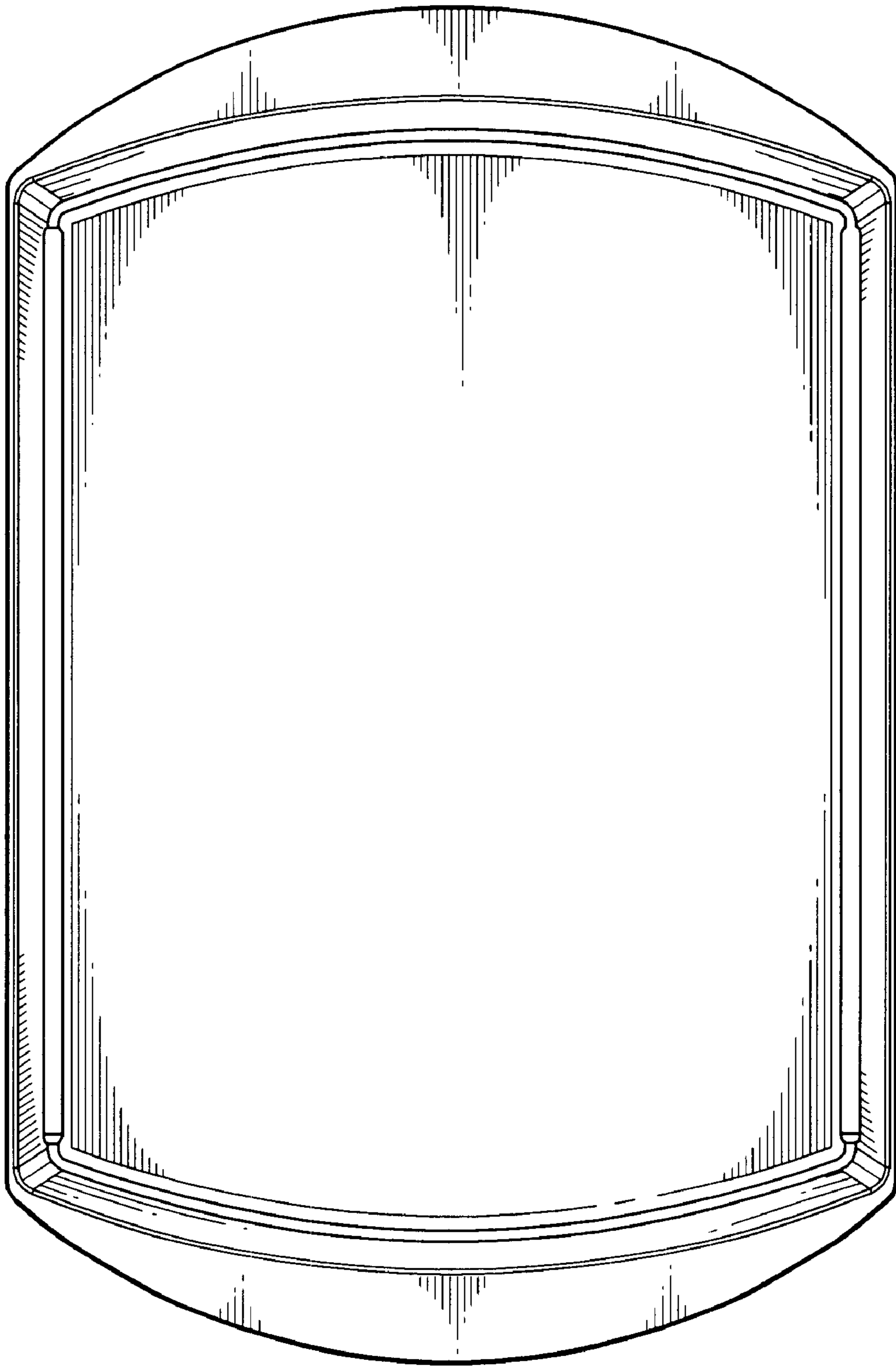


Fig. 3.



Fig. 4.



Fig. 5.