



US00D471396S

(12) **United States Design Patent**
Chiang

(10) **Patent No.:** **US D471,396 S**

(45) **Date of Patent:** **** Mar. 11, 2003**

(54) **BARBECUE GRILL**

(76) Inventor: **Chih-Ming Chiang**, 7th Fl., No. 25,
Lane 33, Sec. 2, Hsing An Rd.,
Taichung (TW)

(**) Term: **14 Years**

(21) Appl. No.: **29/157,462**

(22) Filed: **Mar. 21, 2002**

(51) **LOC (7) Cl.** **07-02**

(52) **U.S. Cl.** **D7/334**

(58) **Field of Search** D7/402, 403, 404,
D7/332-337; 126/25 R, 25 A, 25 AA, 41 R,
38, 37, 9 R; 99/419, 421 R

(56) **References Cited**

U.S. PATENT DOCUMENTS

D315,079 S	*	3/1991	Jui-Yen	D7/334
D351,308 S	*	10/1994	Pai	D7/334
D356,924 S	*	4/1995	Pai	D7/334
D381,241 S	*	7/1997	Pai	D7/334
D381,860 S	*	8/1997	Chiang	D7/334

D412,425 S * 8/1999 Pai D7/334

D420,242 S * 2/2000 Chiang D7/332

D426,419 S * 6/2000 Kuo D7/334

D435,387 S * 12/2000 Pai D7/334

D456,664 S * 5/2002 Chou D7/334

* cited by examiner

Primary Examiner—Ruth McInroy

(74) *Attorney, Agent, or Firm*—Rosenberg, Klein & Lee

(57) **CLAIM**

The ornamental design for a barbecue grill, as shown.

DESCRIPTION

FIG. 1 is a front-left-top perspective view of a barbecue grill, showing my new design;

FIG. 2 is a front elevational view thereof;

FIG. 3 is a rear elevational view thereof;

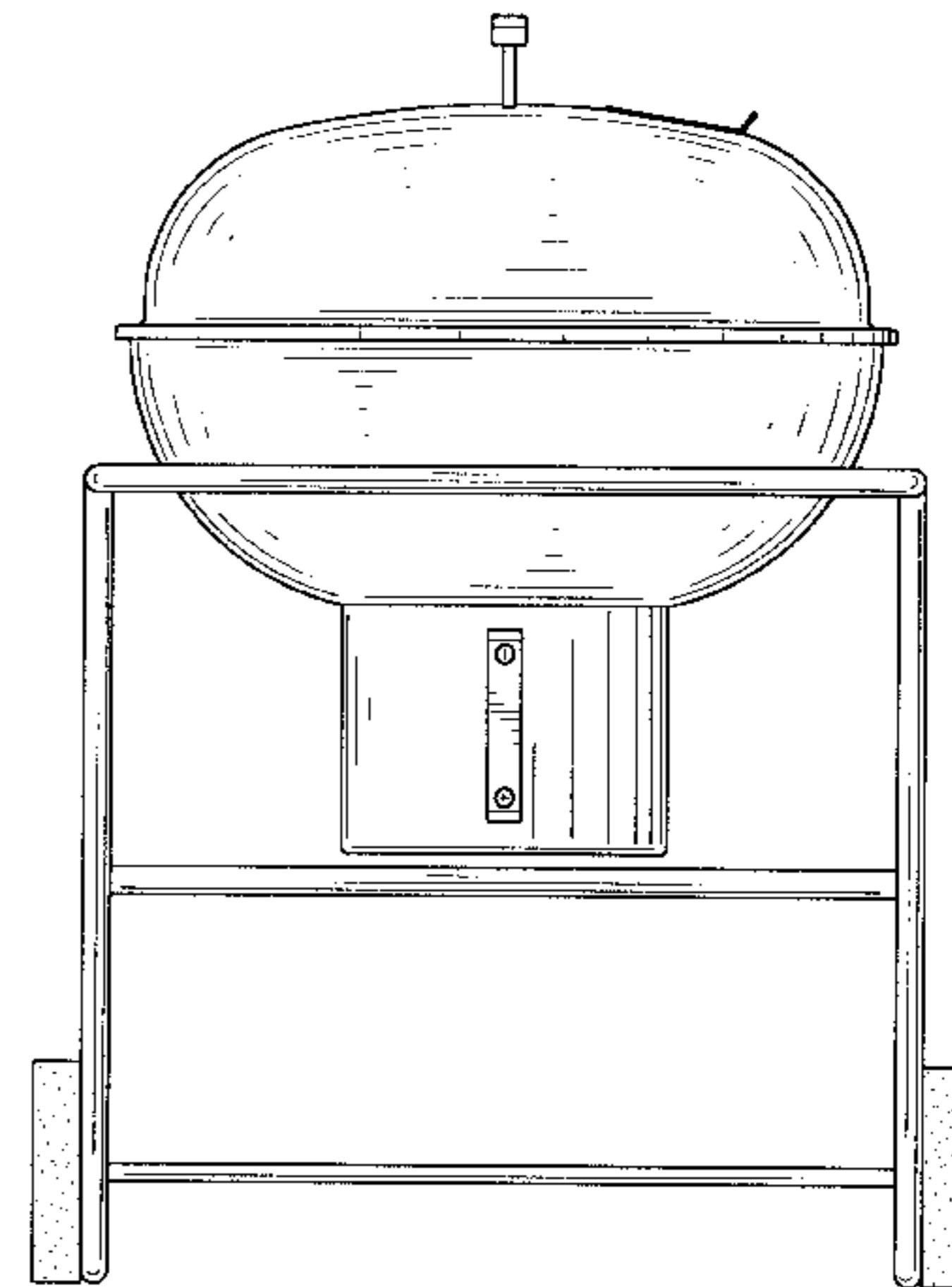
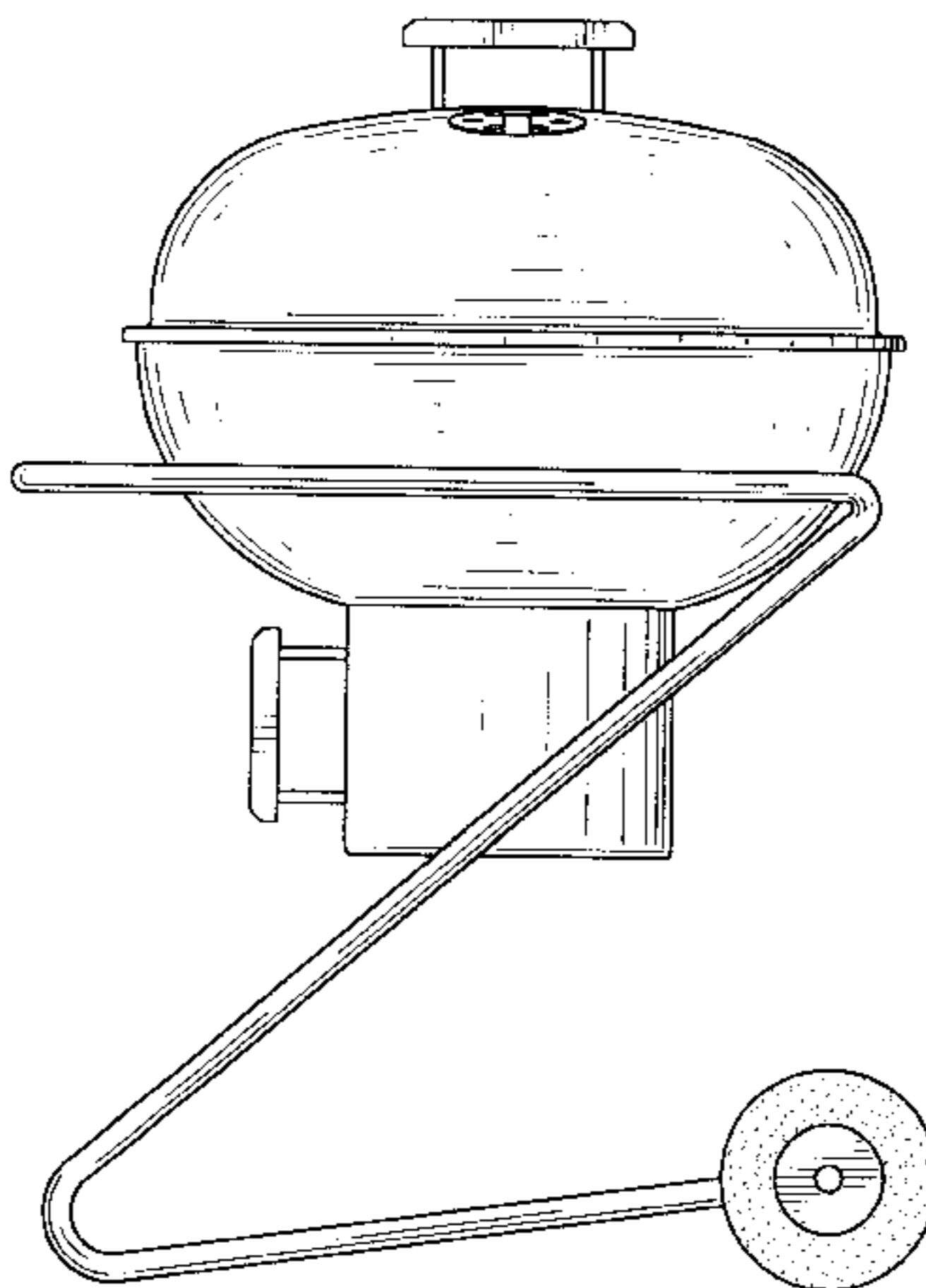
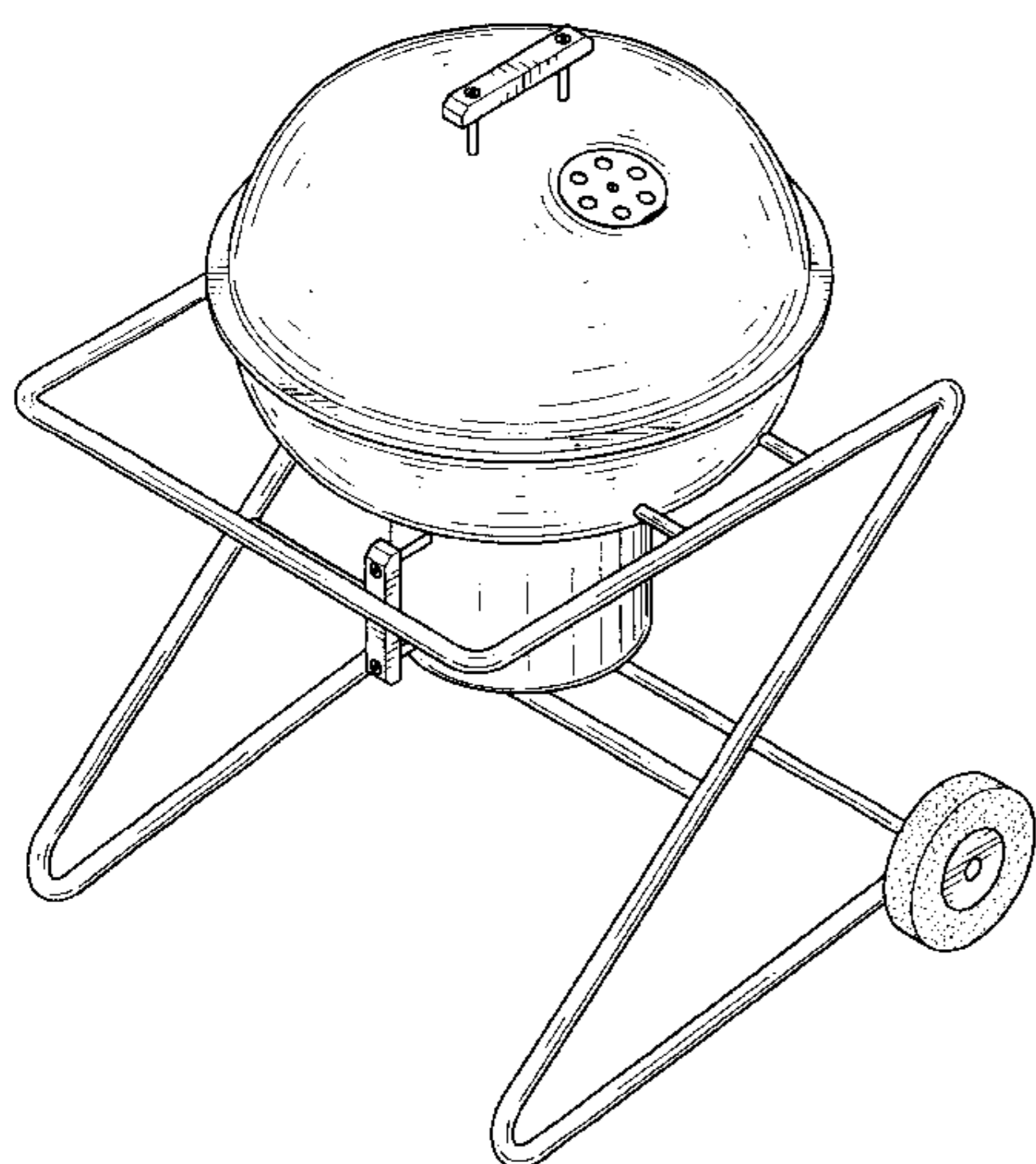
FIG. 4 is a left side elevational view thereof;

FIG. 5 is a right side elevational view thereof;

FIG. 6 is a top plan view thereof; and,

FIG. 7 is a bottom plan view thereof.

1 Claim, 7 Drawing Sheets



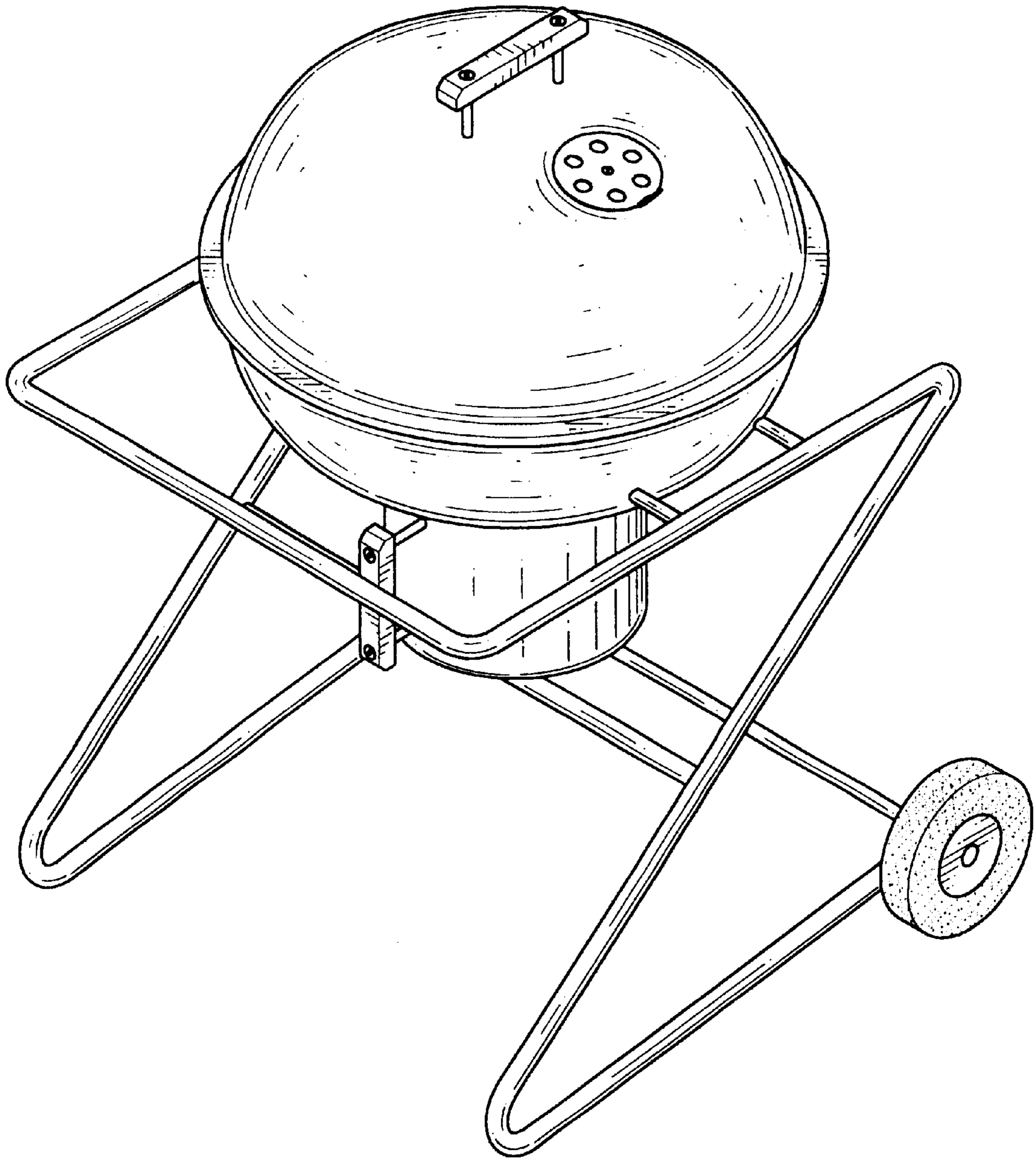


FIG. 1

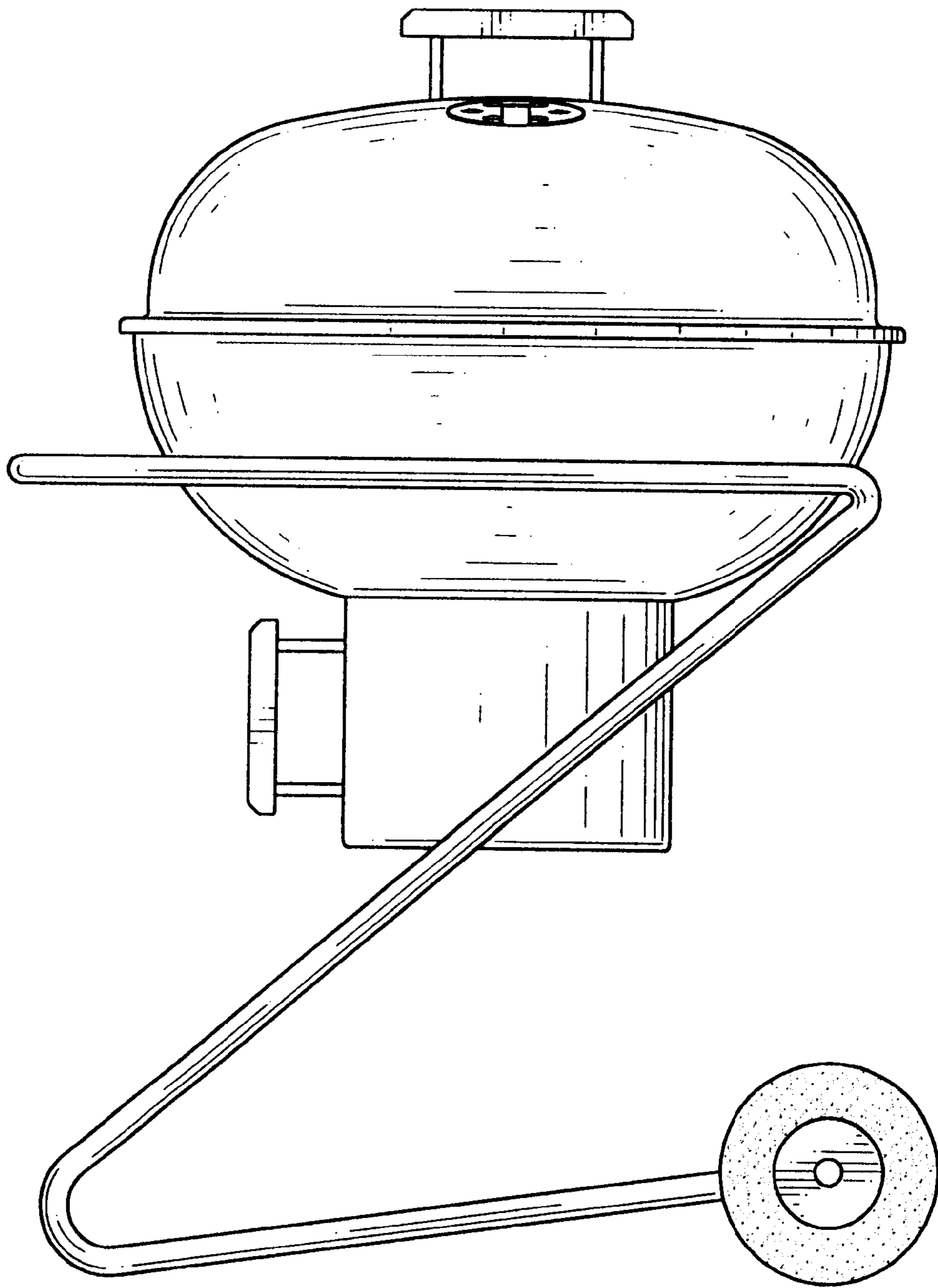


FIG.2

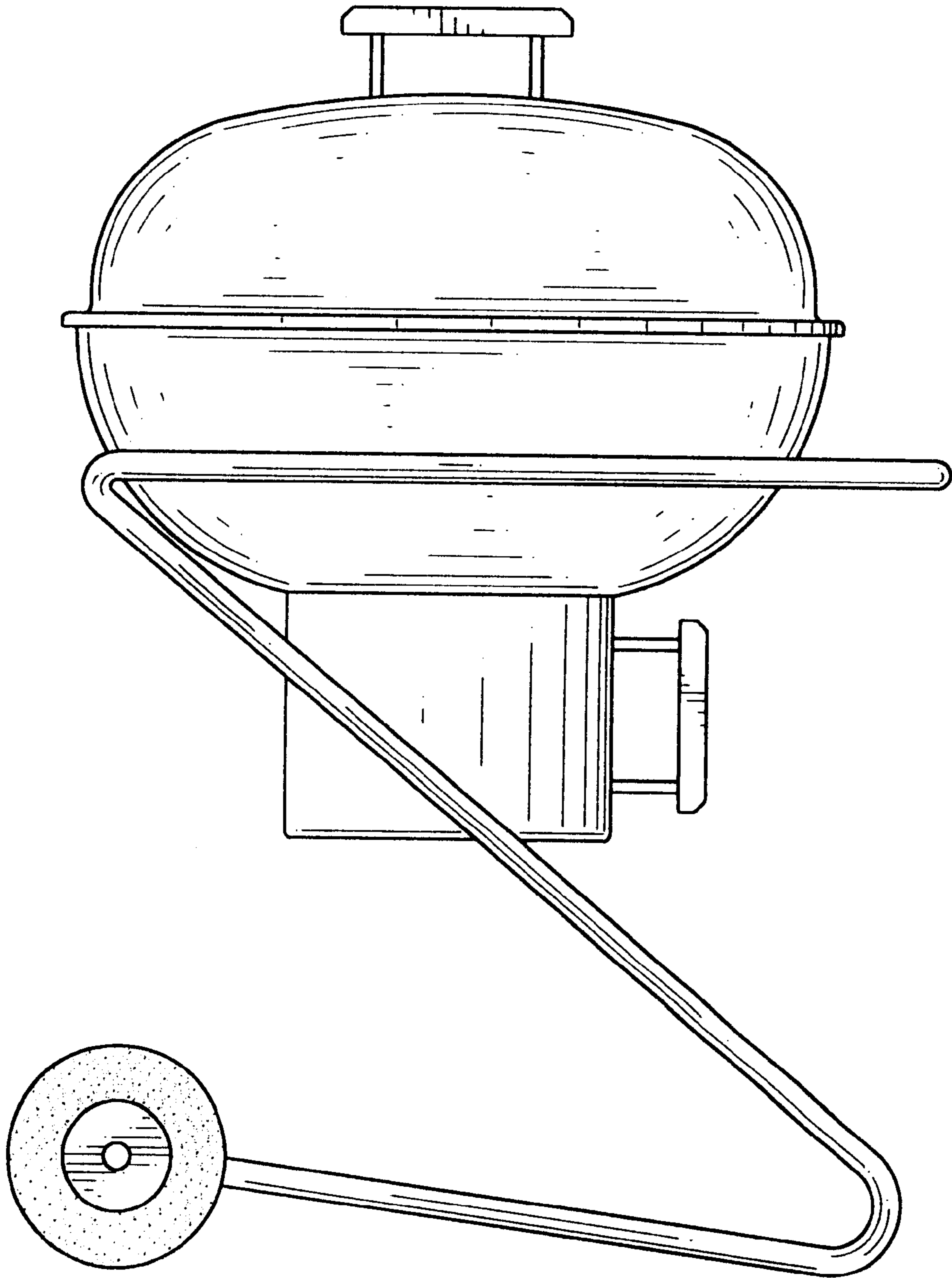


FIG. 3

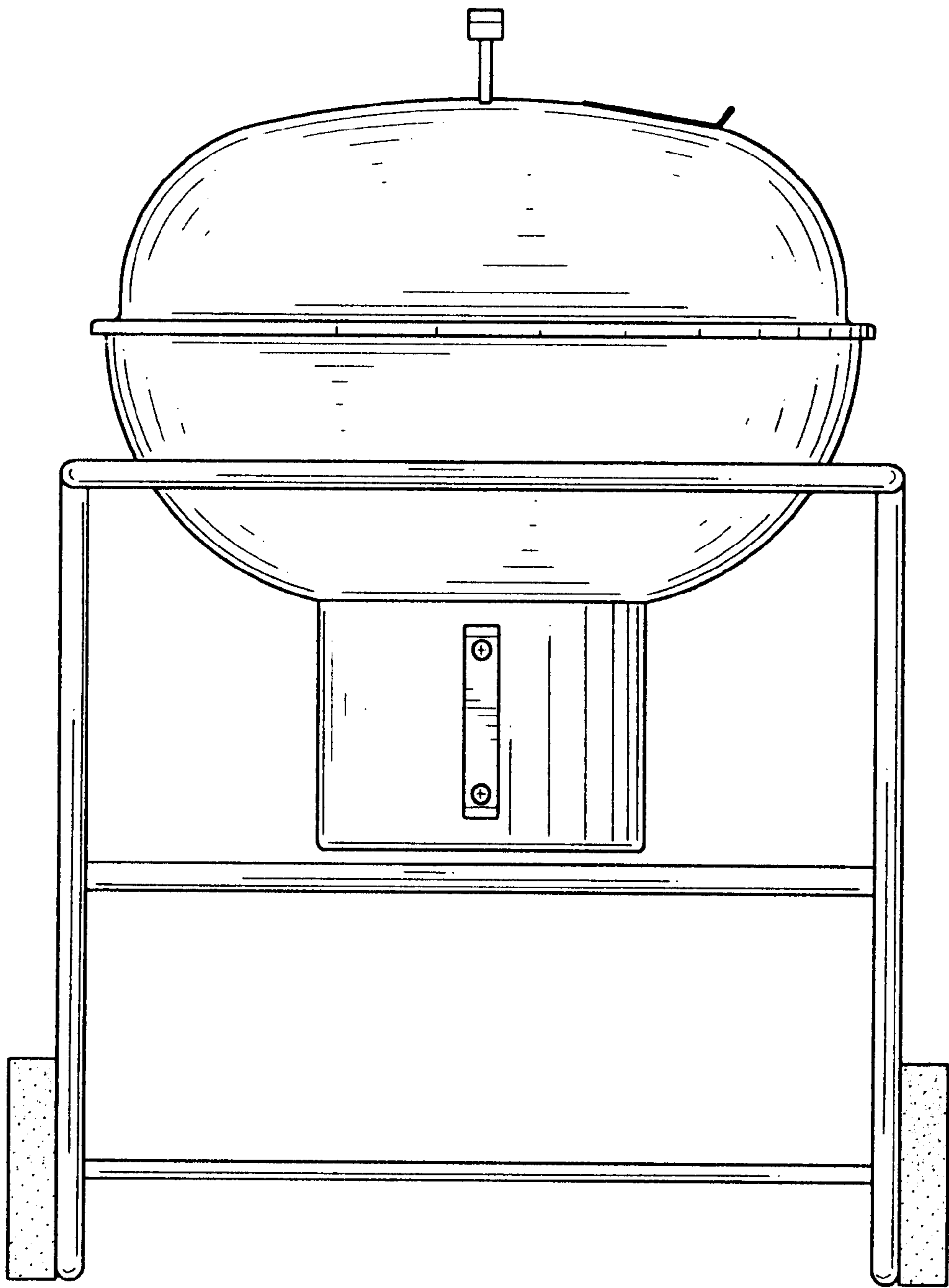


FIG. 4

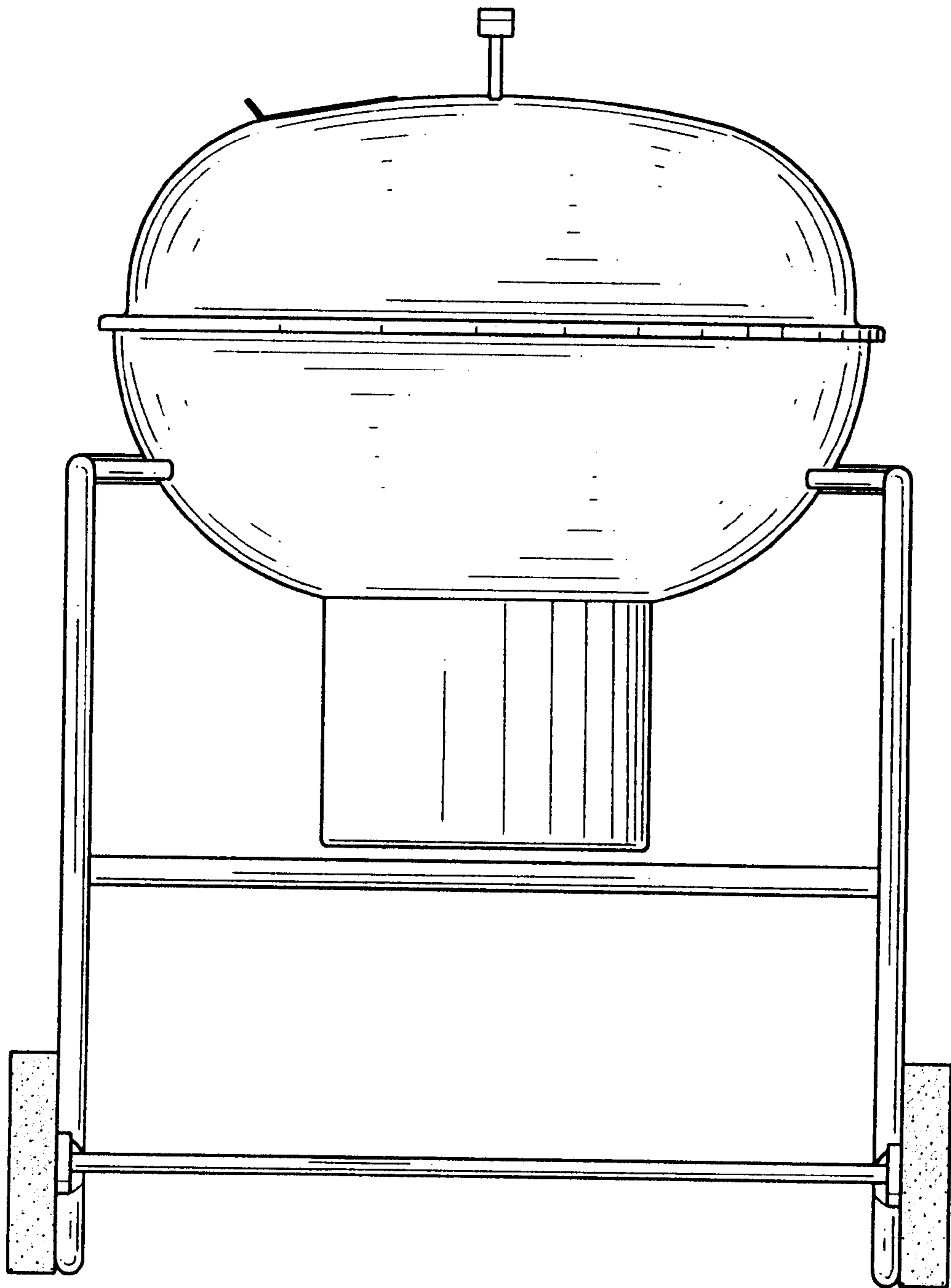


FIG. 5

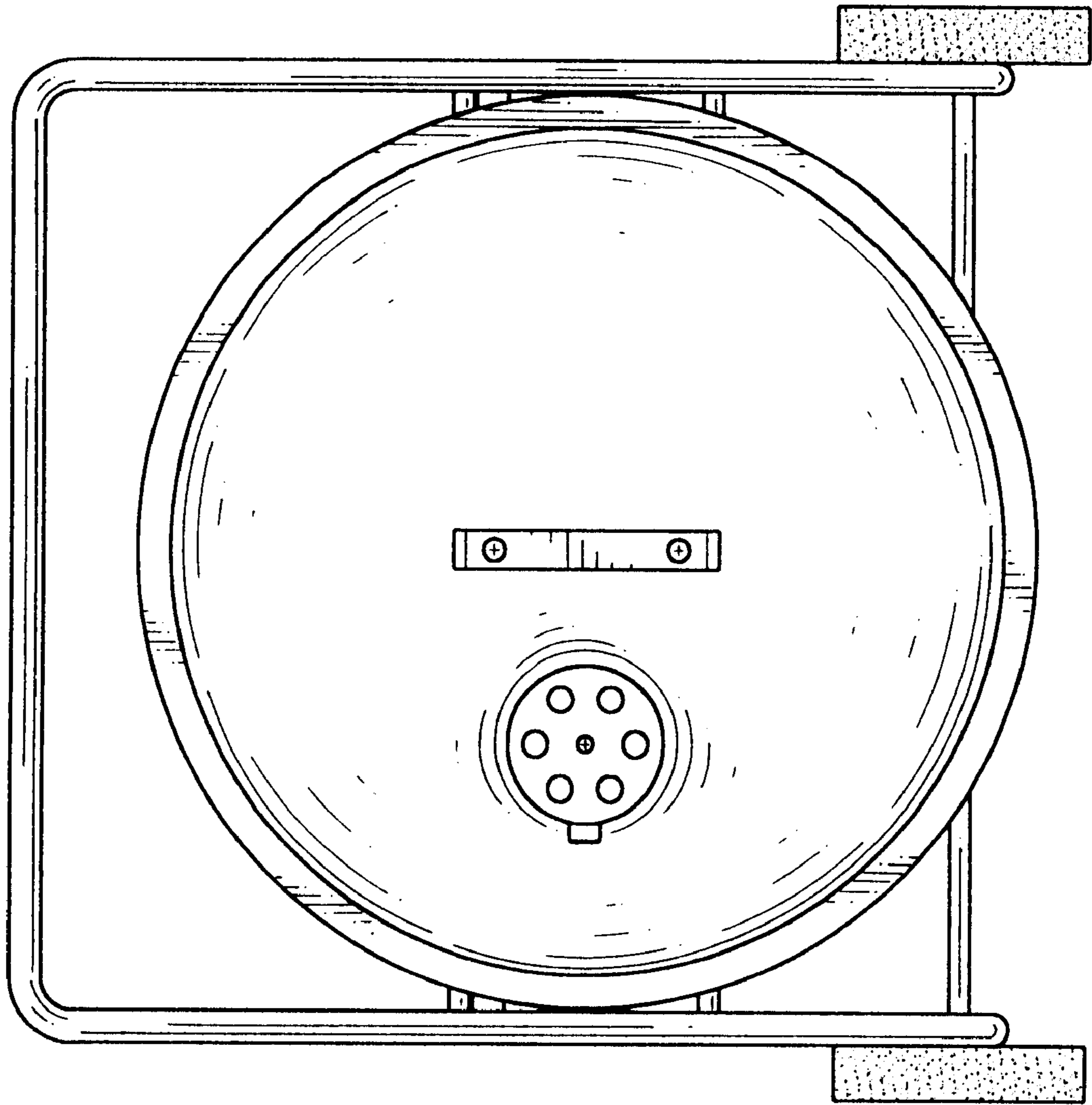


FIG. 6

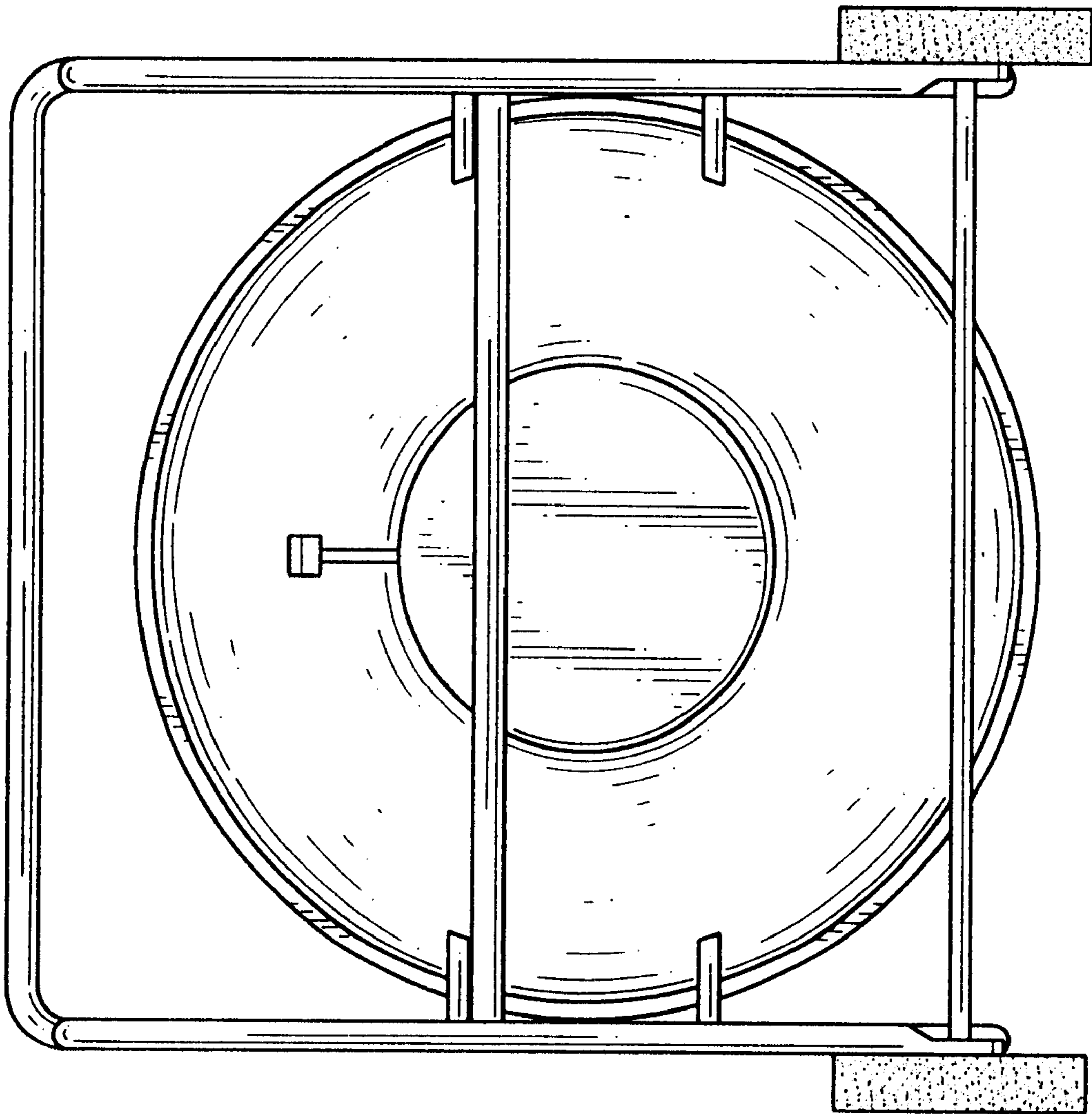


FIG. 7