



US00D471395S

(12) **United States Design Patent**
Wong

(10) **Patent No.:** **US D471,395 S**

(45) **Date of Patent:** **** Mar. 11, 2003**

(54) **NAPKIN**

(76) **Inventor:** **Foo Tai Wong**, 51 Hill Avenue,
Wickford, Essex, SS11 8 LH (GB)

(**) **Term:** **14 Years**

(21) **Appl. No.:** **29/145,337**

(22) **Filed:** **Jul. 19, 2001**

(30) **Foreign Application Priority Data**

Jan. 19, 2001 (GB) 2098913

(51) **LOC (7) Cl.** **06-13**

(52) **U.S. Cl.** **D6/595**

(58) **Field of Search** D6/595, 596, 601,
D6/608, 612, 613, 615; 428/154, 156; 5/417,
418, 419, 420, 482, 490, 495, 496, 497

(56) **References Cited**

U.S. PATENT DOCUMENTS

- 1,865,922 A * 7/1932 Kowalewski D6/595
- 1,882,133 A * 10/1932 Fischer D6/595
- 2,313,337 A * 3/1943 Gurke D6/596
- D162,097 S * 2/1951 Taylor D6/595
- 3,090,052 A * 5/1963 Goldsmith 5/482
- 3,222,695 A * 12/1965 Brown 5/417
- 3,252,176 A * 5/1966 Gropper D6/608
- 3,326,365 A 6/1967 Neureither et al.
- 3,978,553 A * 9/1976 Honig D6/595
- 4,658,452 A * 4/1987 Brockhaus 5/420
- D370,822 S * 6/1996 Palomo et al. D6/595

- D373,921 S * 9/1996 Palomo et al. D6/596
- 5,736,224 A * 4/1998 Dodge 428/156
- D424,858 S * 5/2000 Douglas et al. D6/595
- 6,209,156 B1 * 4/2001 Hershey 5/490
- D456,661 S * 5/2002 Henegan D6/608

FOREIGN PATENT DOCUMENTS

EP 0 399 275 A1 11/1990
WO WO 98/37794 9/1998

* cited by examiner

Primary Examiner—Doris V. Coles

Assistant Examiner—T. Chase Nelson

(74) *Attorney, Agent, or Firm*—Knobbe, Martens, Olson &
Bear, LLP

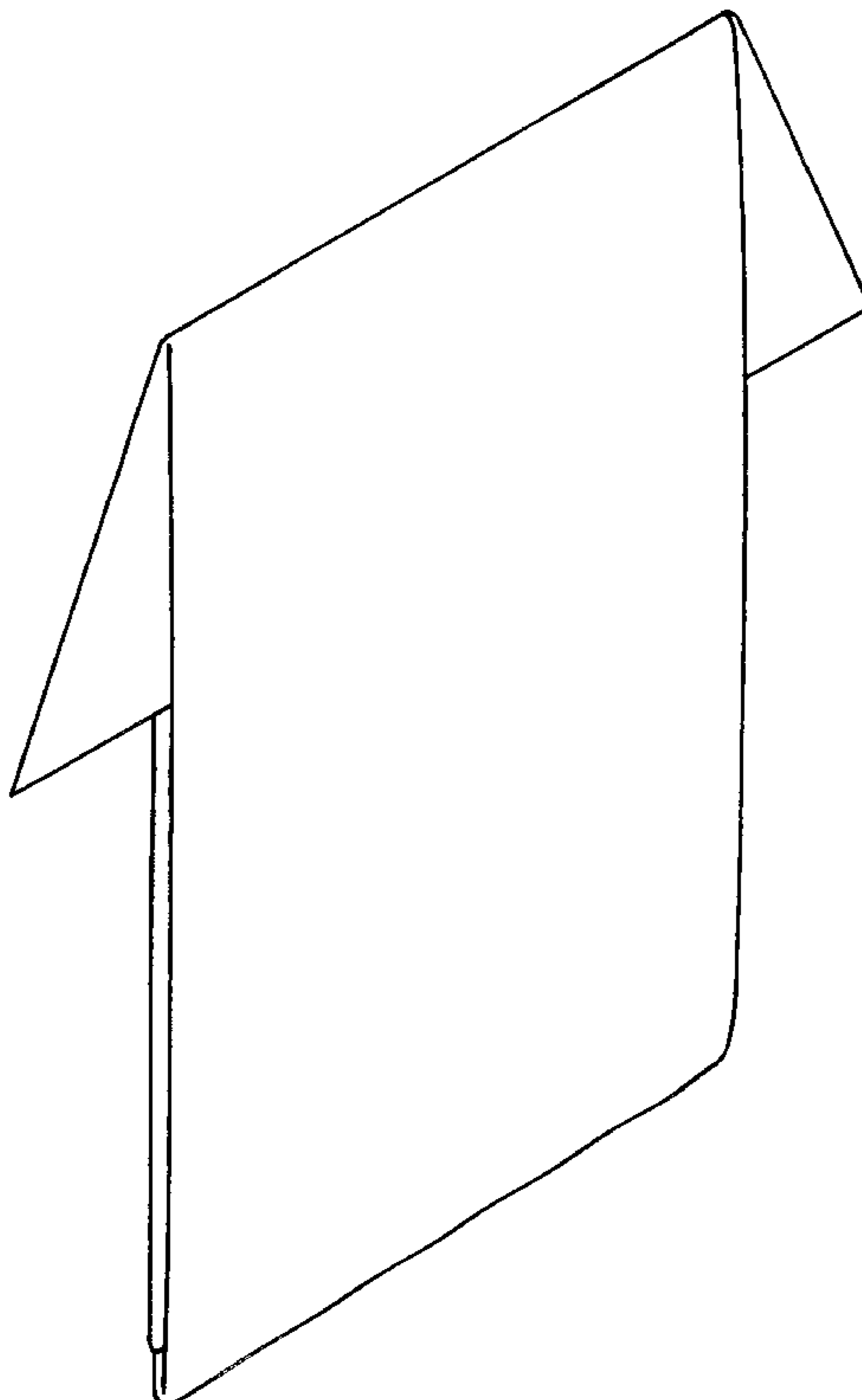
(57) **CLAIM**

The ornamental design for a napkin, as shown and described.

DESCRIPTION

FIG. 1 is a perspective view of a napkin having a unique configuration of the present design;
FIG. 2 is a front view of the napkin;
FIG. 3 is a top view of the napkin;
FIG. 4 is a bottom view of the napkin;
FIG. 5 is a back view of the napkin;
FIG. 6 is a right side view of the napkin; and,
FIG. 7 is a left side view of the napkin.

1 Claim, 3 Drawing Sheets



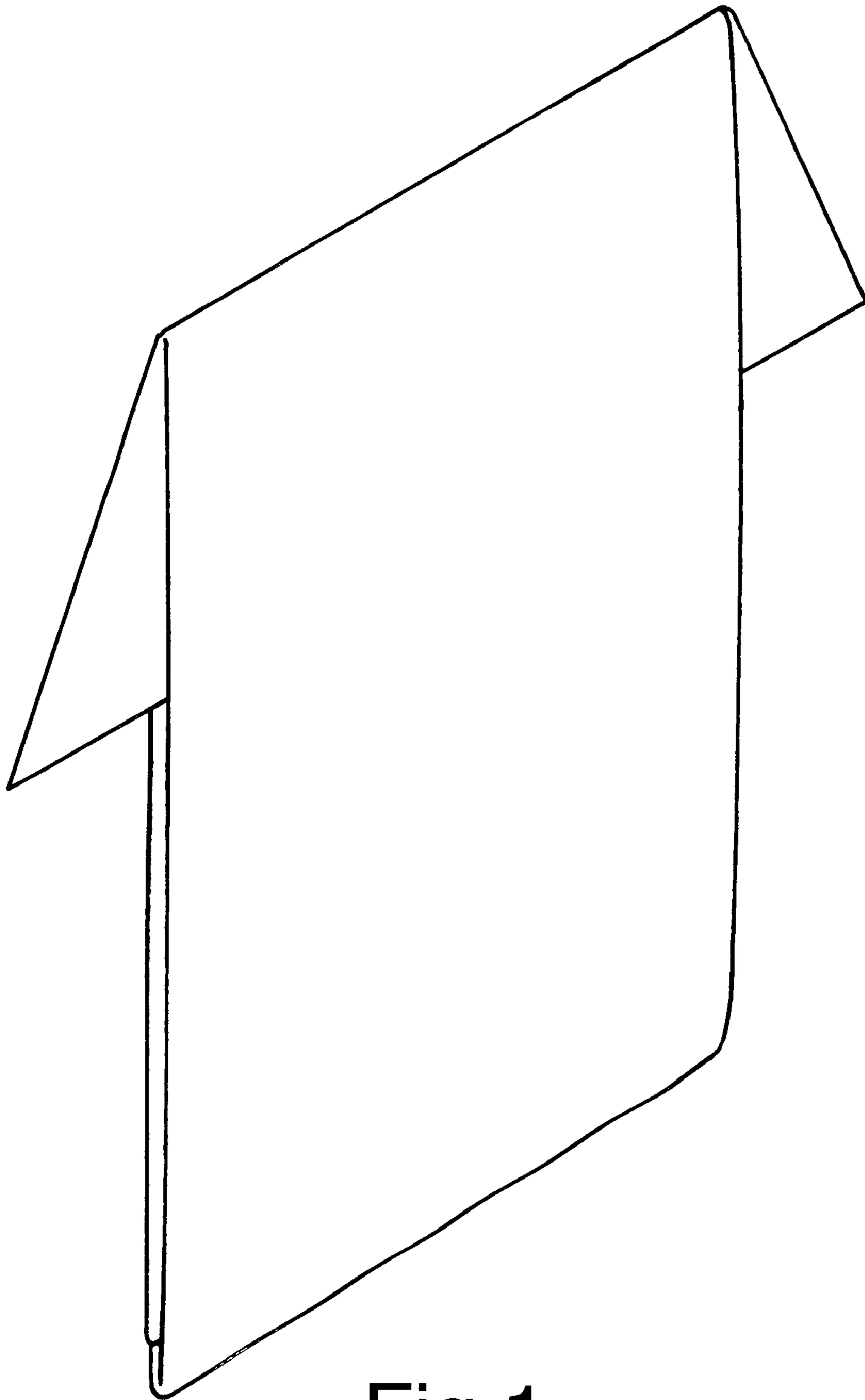


Fig. 1.

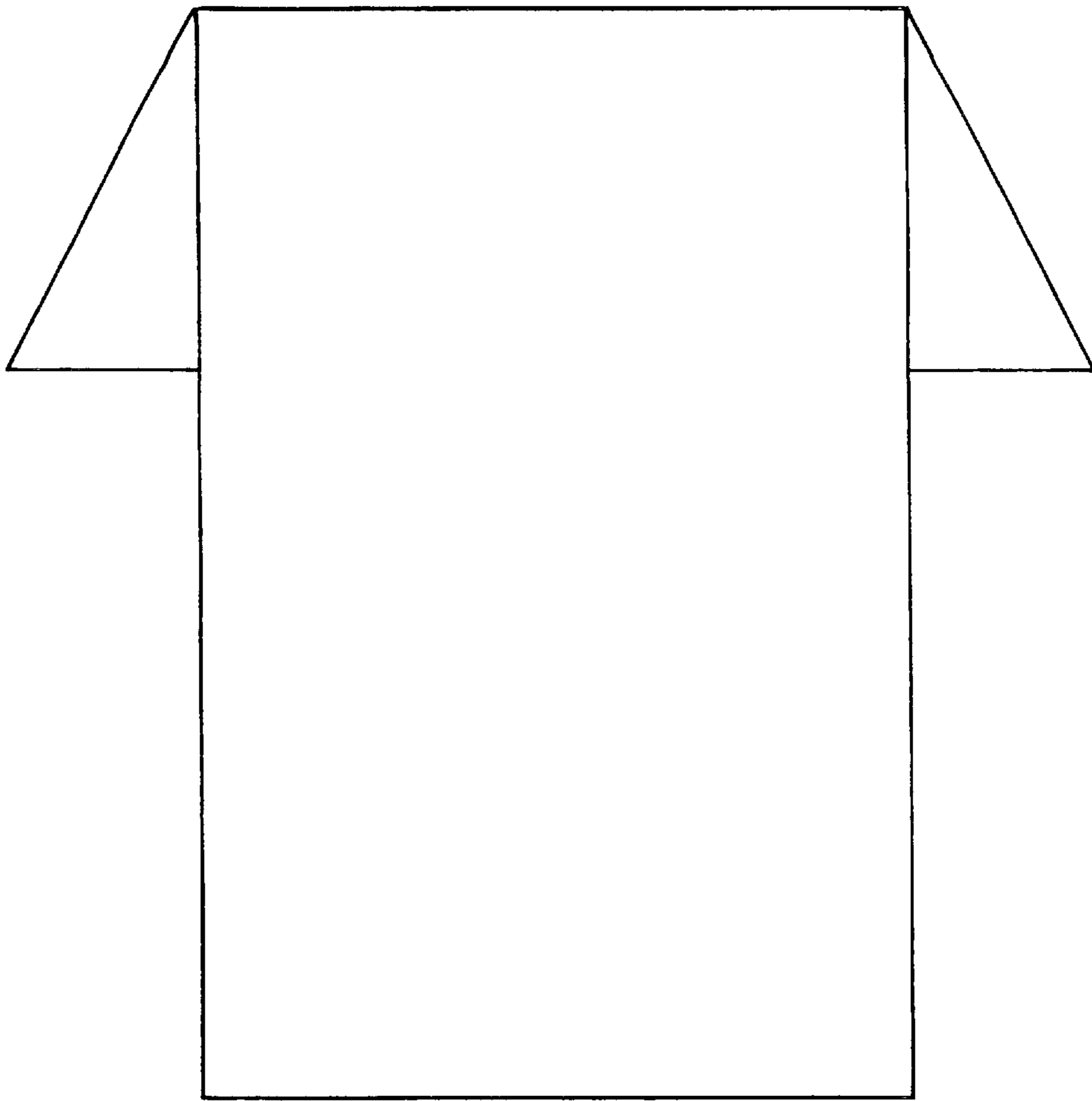


Fig.2.

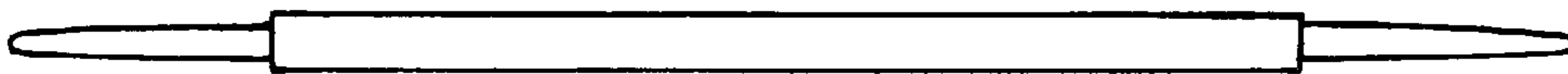


Fig.3.



Fig.4.

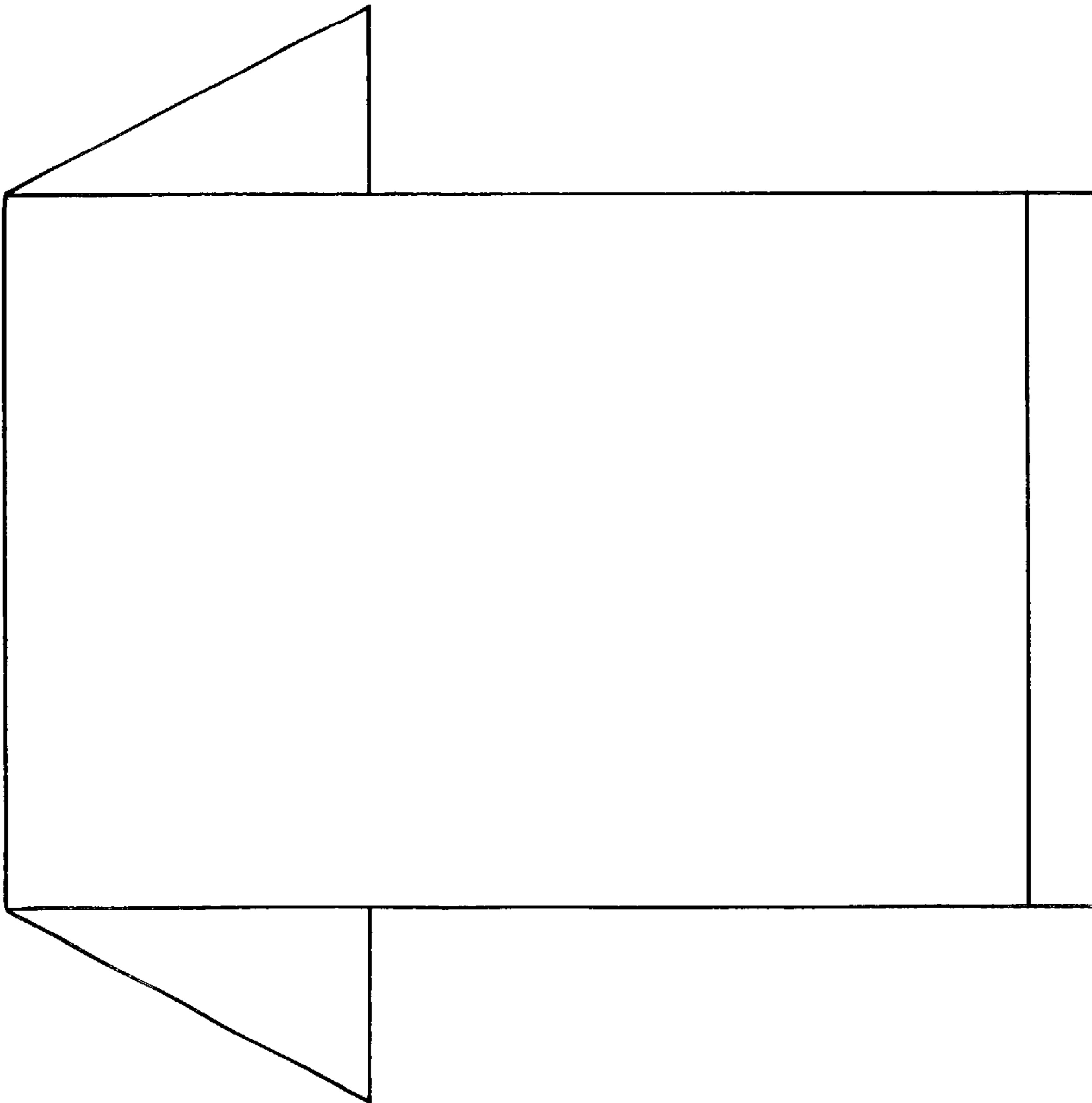


Fig. 5.

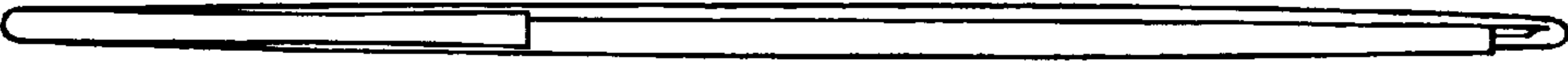


Fig. 6.



Fig. 7.