



US00D471393S

(12) **United States Design Patent**
Hutchinson

(10) **Patent No.:** **US D471,393 S**

(45) **Date of Patent:** **** Mar. 11, 2003**

(54) **DEODORIZING AND SANITIZING TOILET
PLUNGER CONTAINER**

(76) **Inventor:** **Jim Hutchinson**, 2417 Old Mill Rd.,
Hudson, OH (US) 44236

(**) **Term:** **14 Years**

(21) **Appl. No.:** **29/156,422**

(22) **Filed:** **Mar. 1, 2002**

(51) **LOC (7) Cl.** **06-04**

(52) **U.S. Cl.** **D6/551**

(58) **Field of Search** D6/551; 206/207,
206/209, 209.1, 349, 361, 362.2, 362.3,
15.2, 15.3; 312/206

(56) **References Cited**

U.S. PATENT DOCUMENTS

D315,269 S	*	3/1991	Brazis	D6/551
D400,748 S	*	11/1998	France	D6/551
D422,821 S	*	4/2000	Laur	D6/524
D452,401 S	*	12/2001	Schmidt et al.	D6/524
D463,698 S	*	10/2002	Phillips et al.	D6/524

* cited by examiner

Primary Examiner—Brian N. Vinson

(57) **CLAIM**

The ornamental design for a deodorizing and sanitizing toilet plunger container, as shown and described.

DESCRIPTION

FIG. 1 is a front view of a deodorizing and sanitizing toilet plunger container showing my new design.

FIG. 2 is a rear view of the deodorizing and sanitizing toilet plunger container.

FIG. 3 is a first side view of the deodorizing and sanitizing toilet plunger container.

FIG. 4 is a second side view of the deodorizing and sanitizing toilet plunger container.

FIG. 5 is a top view of the deodorizing and sanitizing toilet plunger container.

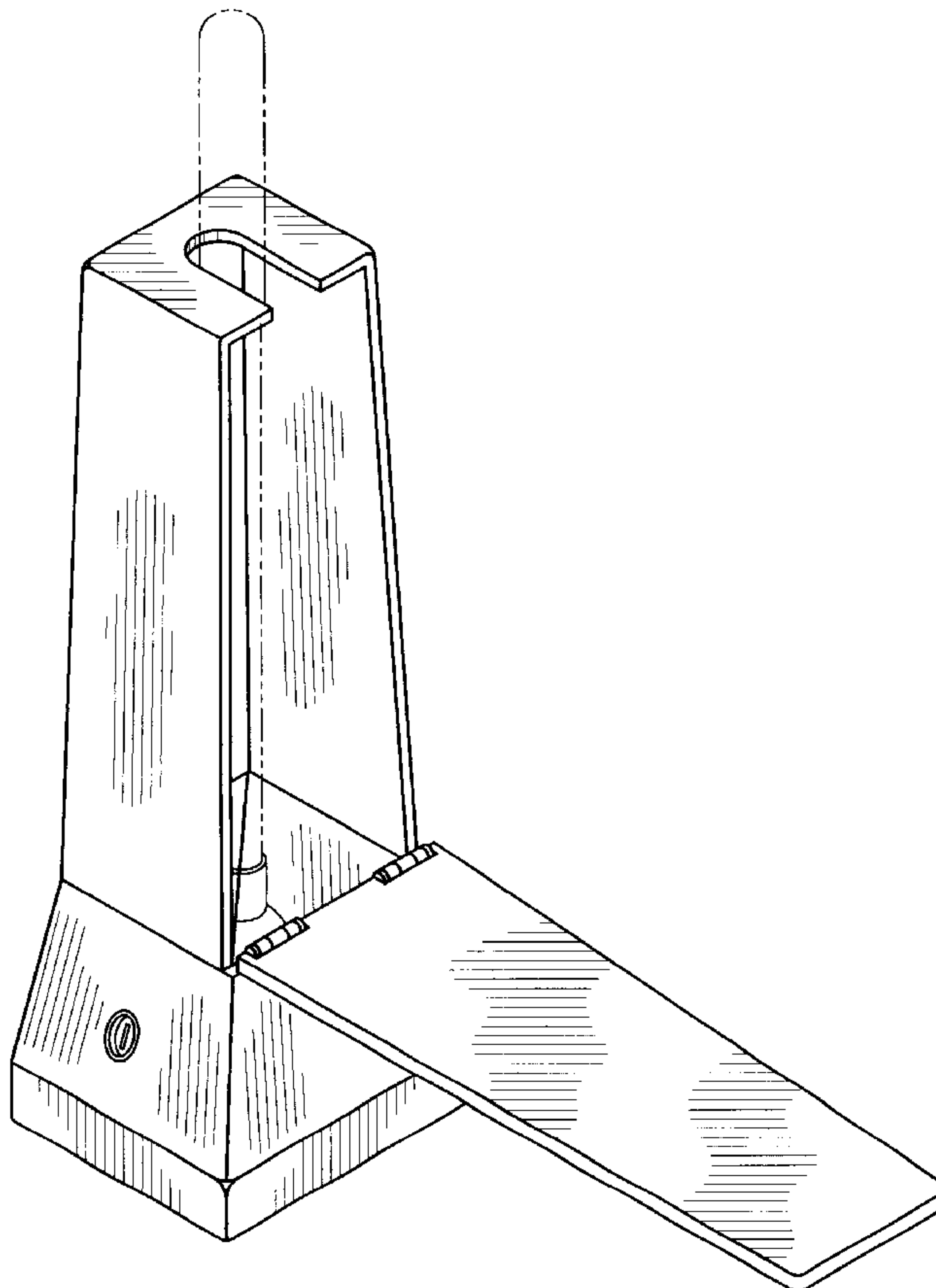
FIG. 6 is a bottom view of the deodorizing and sanitizing toilet plunger container

FIG. 7 is a perspective view of the deodorizing and sanitizing toilet plunger container showing a door in a closed position; and,

FIG. 8 is a perspective view of the deodorizing and sanitizing toilet plunger container showing a door in an open position.

The dashed lines of FIGS. 7 and 8 showing a handle of a toilet plunger are for illustrative purposes only and form no part of the claimed invention.

1 Claim, 7 Drawing Sheets



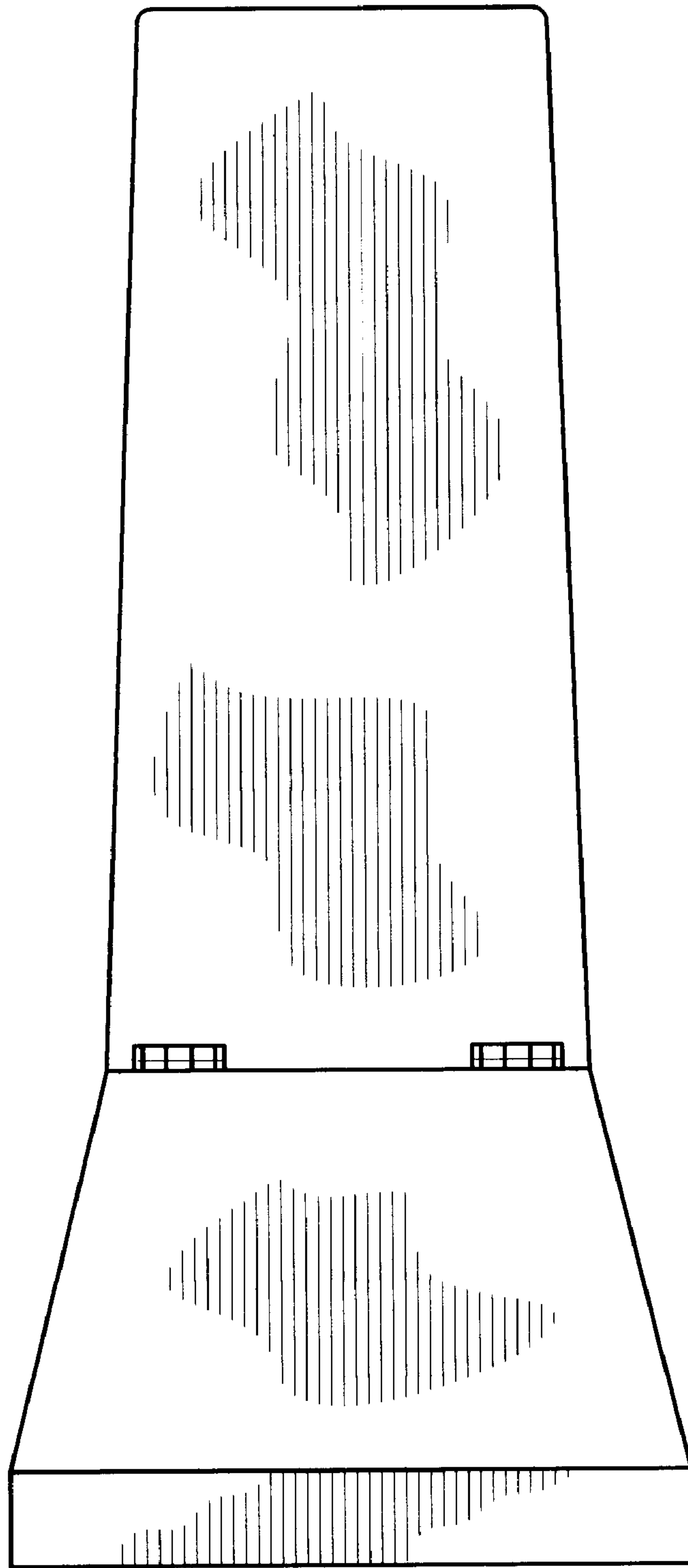


FIG. 1

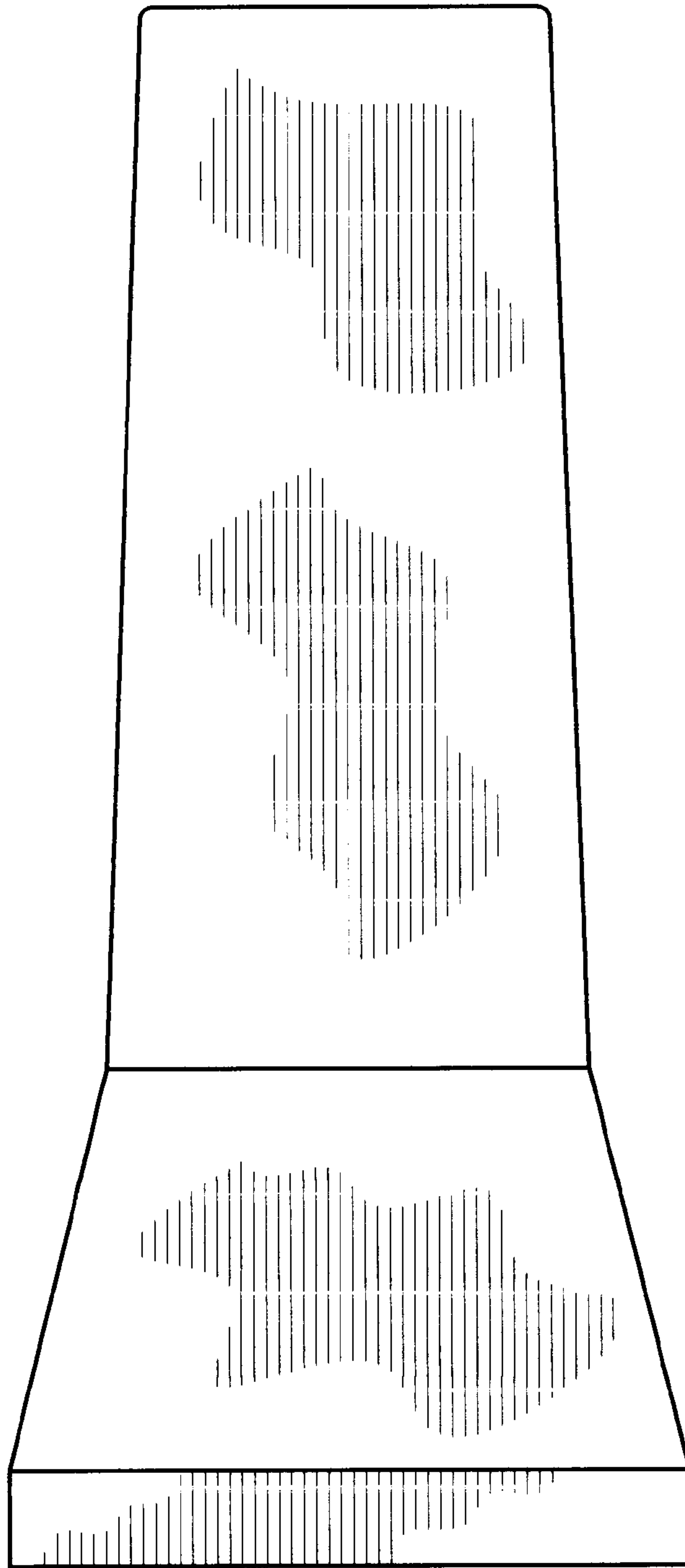


FIG.2

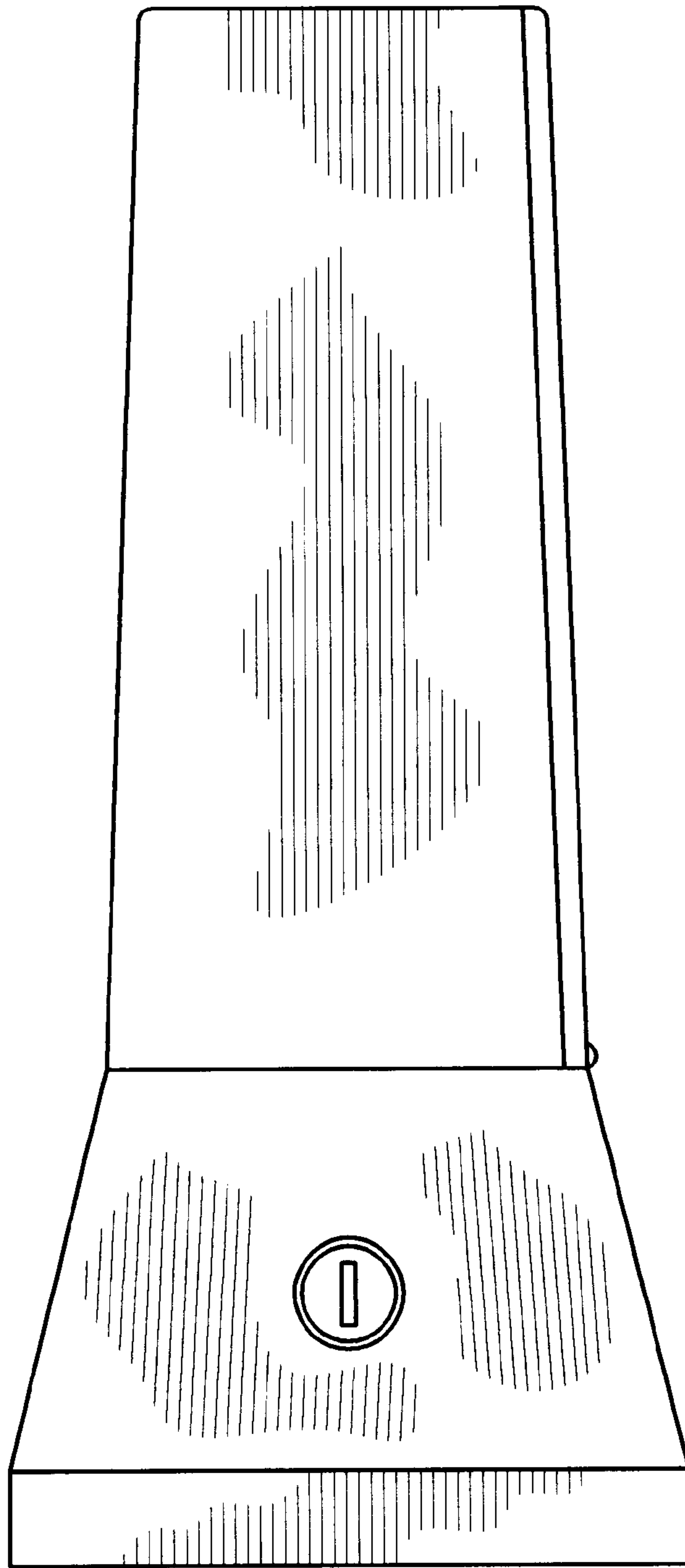


FIG. 3

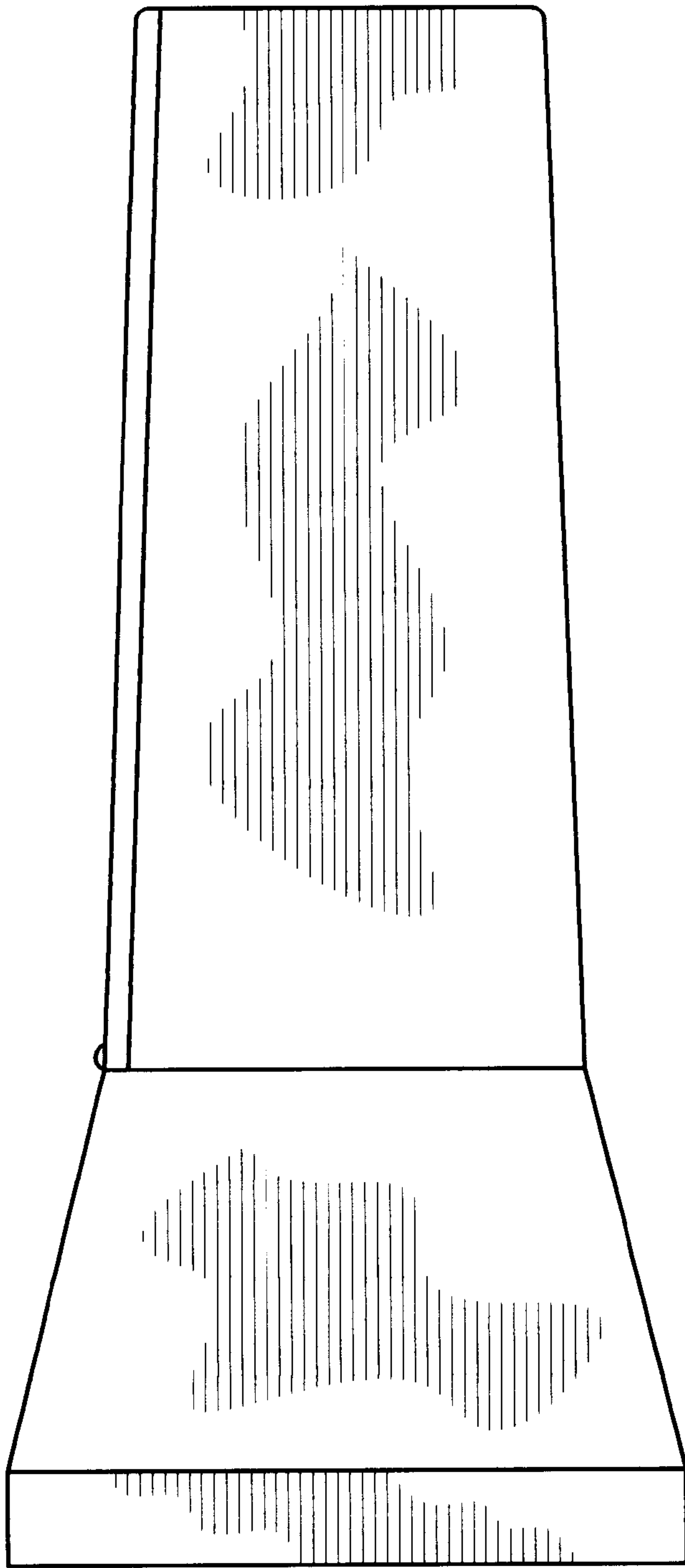


FIG. 4

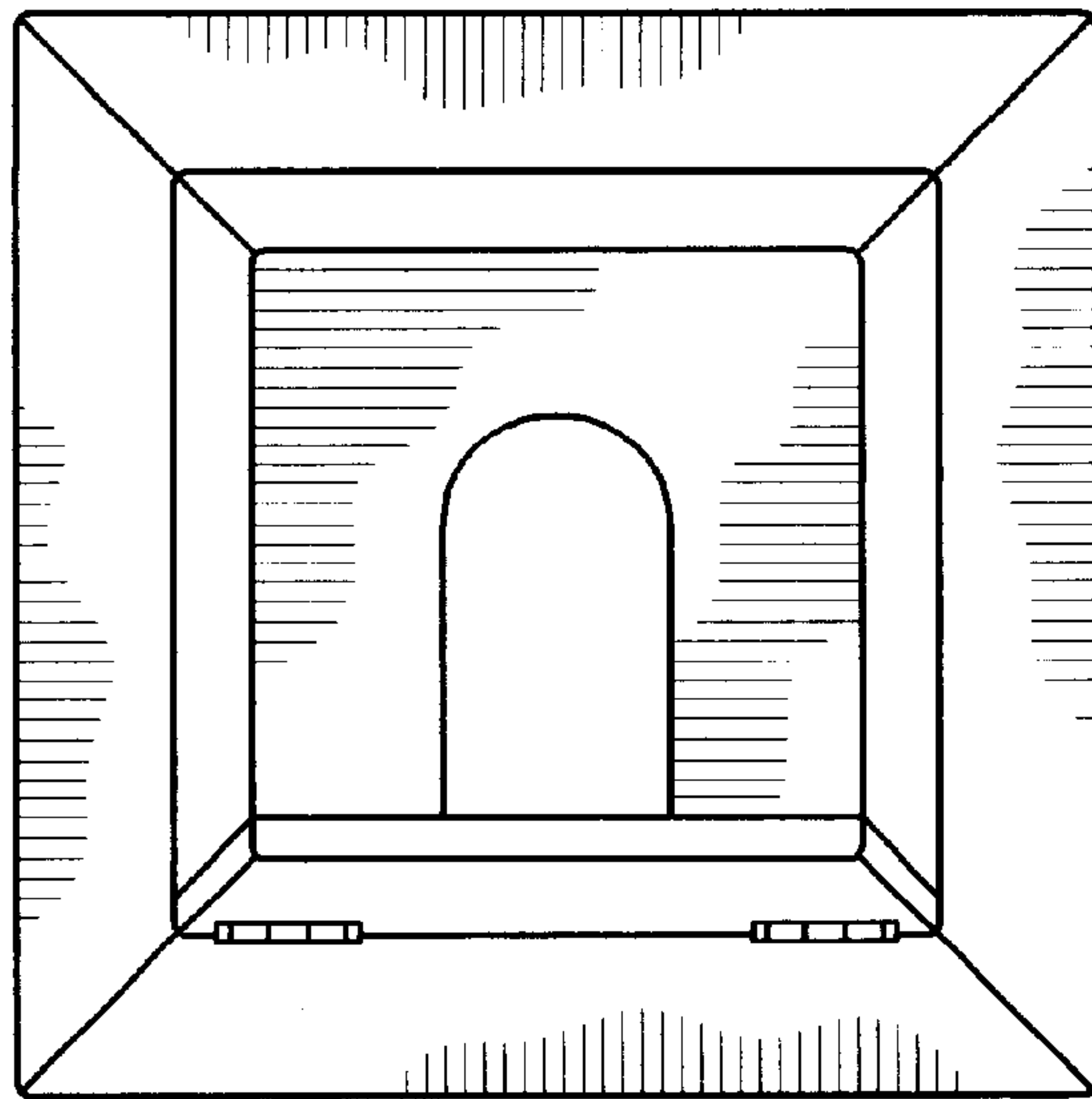


FIG. 5

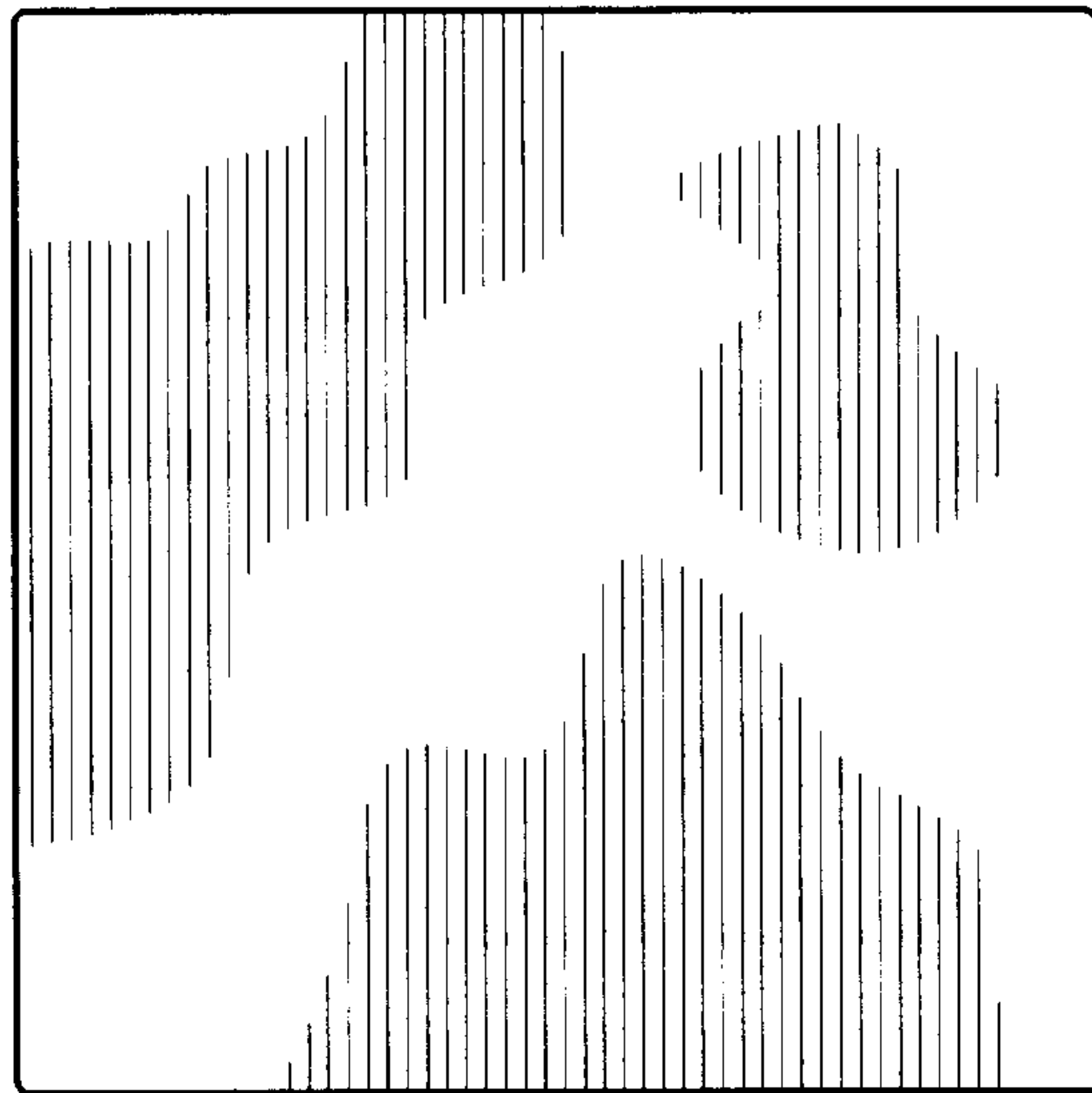


FIG. 6

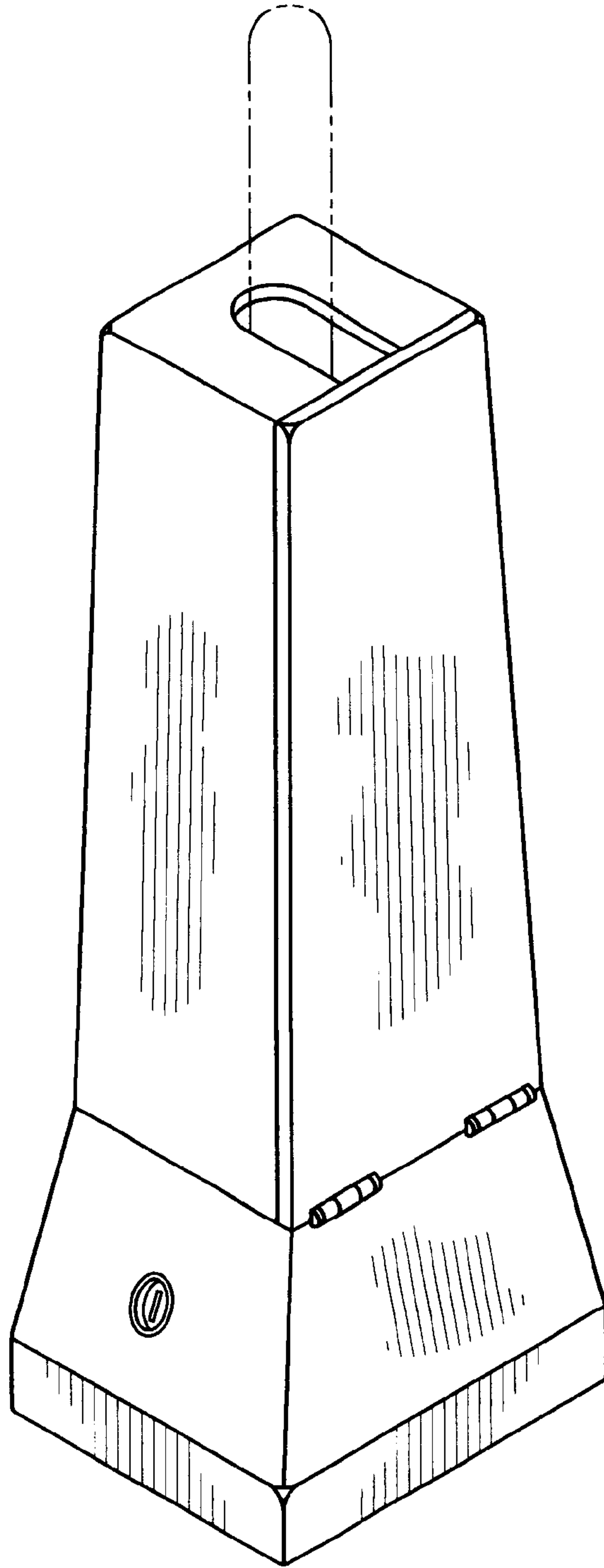


FIG. 7

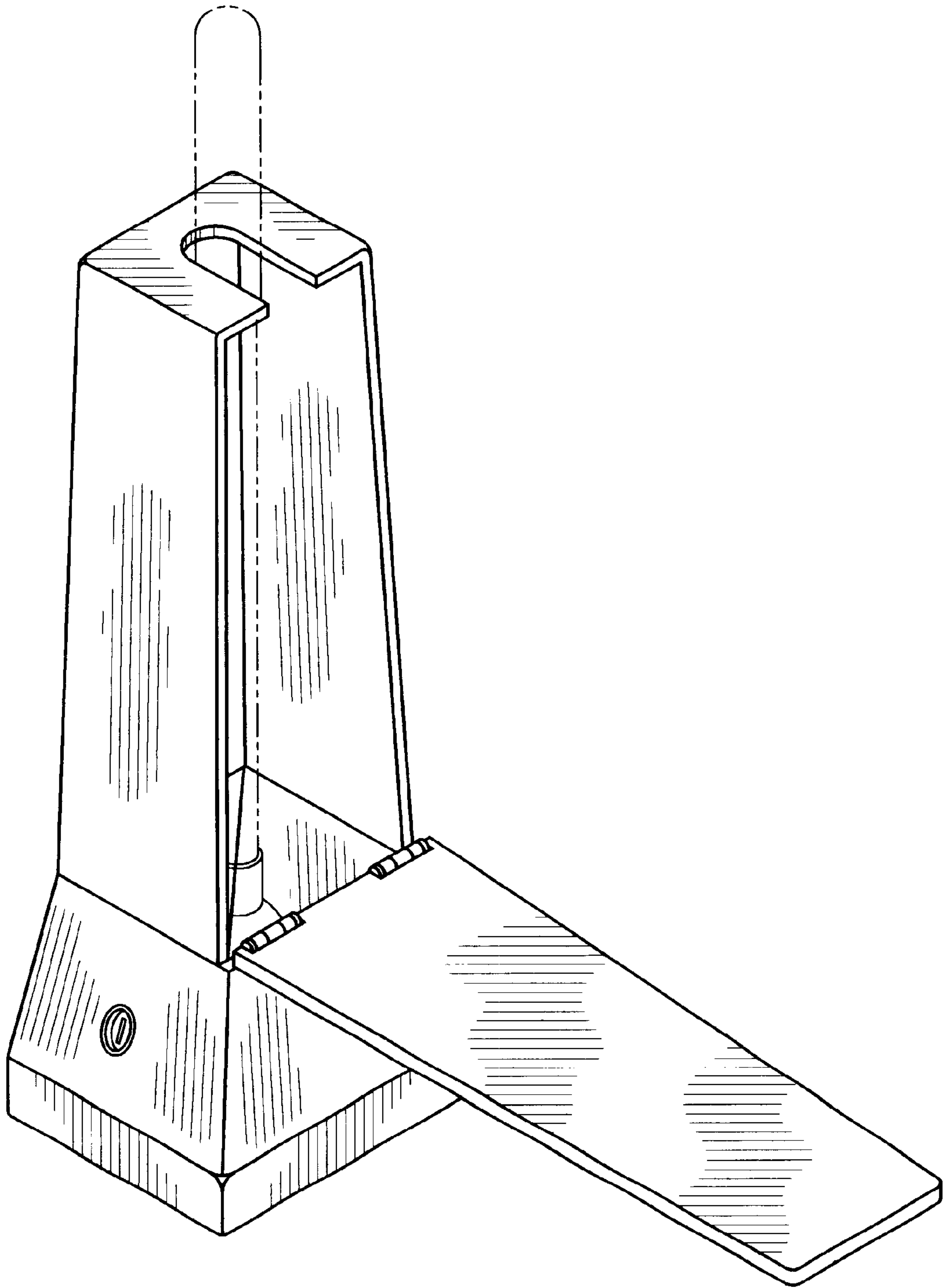


FIG. 8