



US00D471390S

(12) **United States Design Patent**  
**Genslak**

(10) **Patent No.:** **US D471,390 S**

(45) **Date of Patent:** **\*\* Mar. 11, 2003**

(54) **BATHROOM ACCESSORY**

(75) Inventor: **Kristina J. Genslak**, Sheboygan, WI (US)

(73) Assignee: **Kohler Co.**, Kohler, WI (US)

(\*\*) Term: **14 Years**

(21) Appl. No.: **29/145,510**

(22) Filed: **Jul. 24, 2001**

(51) **LOC (7) Cl.** ..... **23-02**

(52) **U.S. Cl.** ..... **D6/524; D6/546; D6/526; D8/367**

(58) **Field of Search** ..... D6/524, 546, 526; D8/367; 206/349, 352; 248/304, 309.1, 314

(56) **References Cited**

**U.S. PATENT DOCUMENTS**

D234,990 S	*	4/1975	Morgan	.....	D6/546
D270,503 S	*	9/1983	Cohen	.....	D6/546
D328,849 S	*	8/1992	Cornick et al.	.....	D6/306
D346,294 S	*	4/1994	Wilson et al.	.....	D6/546
D425,255 S	*	5/2000	Chen	.....	D28/73
D426,993 S	*	6/2000	Jackson	.....	D6/526

**OTHER PUBLICATIONS**

Undated Ketchum catalog ad, p. 12, showing a Model 360 hook.

Undated Harden catalog ad, p. 31, showing Series 63 faucets and handles.

Undated Eljer catalog ad, p. 7.34, showing a “Chrysta” towel ring.

\* cited by examiner

*Primary Examiner*—Brian N. Vinson

(74) *Attorney, Agent, or Firm*—Quarles & Brady LLP

(57) **CLAIM**

The ornamental design for a bathroom accessory, as shown and described.

**DESCRIPTION**

In a preferred embodiment, the nature of this product is a combined robe hook and razor holder suitable to be mounted on a shower enclosure wall jamb.

FIG. 1 is a top, right, rear perspective view of a bathroom accessory embodying our new design;

FIG. 2 is a right side elevational view thereof;

FIG. 3 is a left side elevational view thereof;

FIG. 4 is a rear elevational view thereof;

FIG. 5 is a front elevational view thereof;

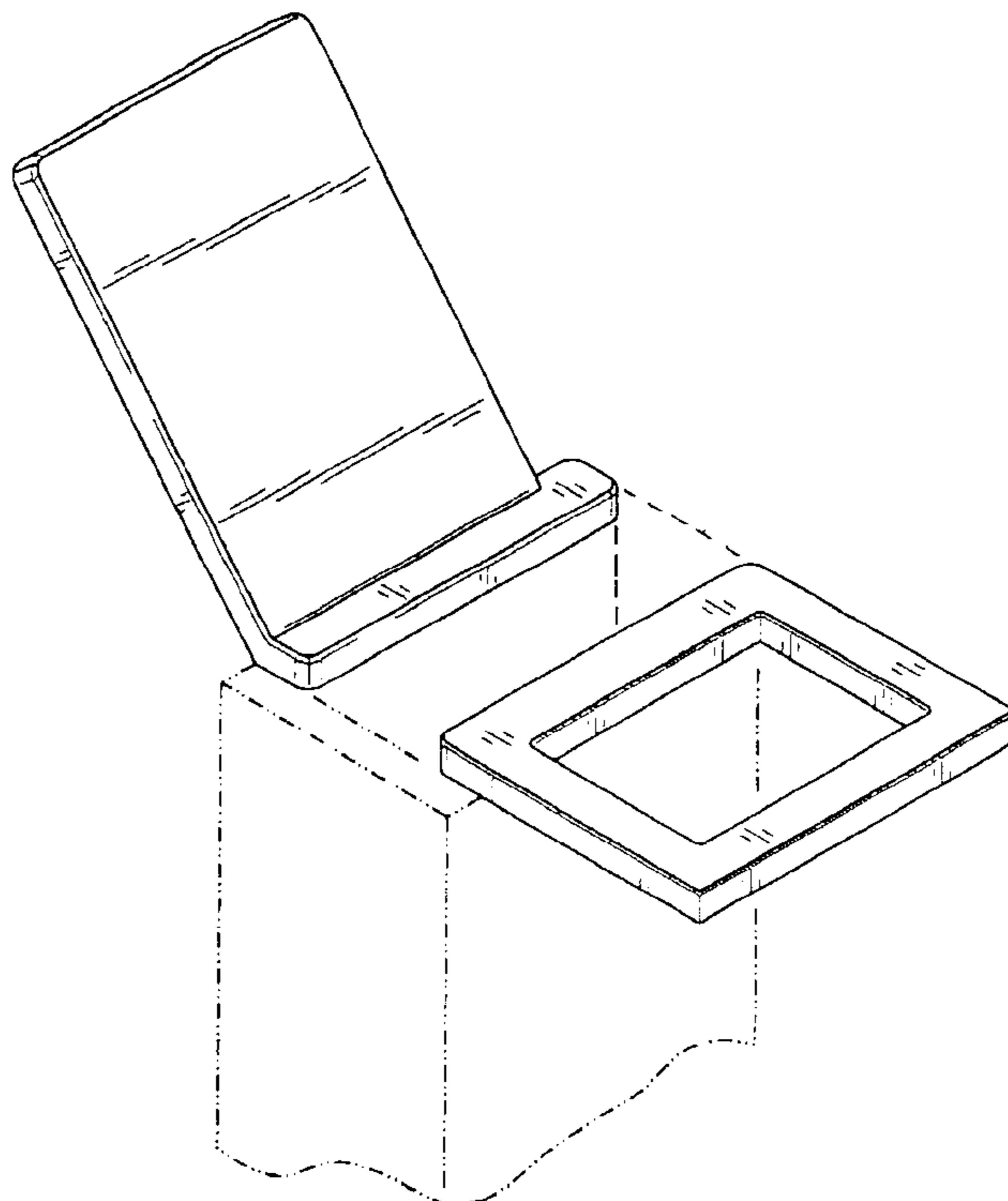
FIG. 6 is a top plan view thereof;

FIG. 7 is a perspective view of the robe hook portion thereof; and,

FIG. 8 is a perspective view of the razor holder portion thereof.

The broken line representations of mounting environment in FIGS. 1—6, and of mounting/attachment structure in FIGS. 7 and 8, are for the purpose of illustration only, and form no part of the claimed design.

**1 Claim, 4 Drawing Sheets**



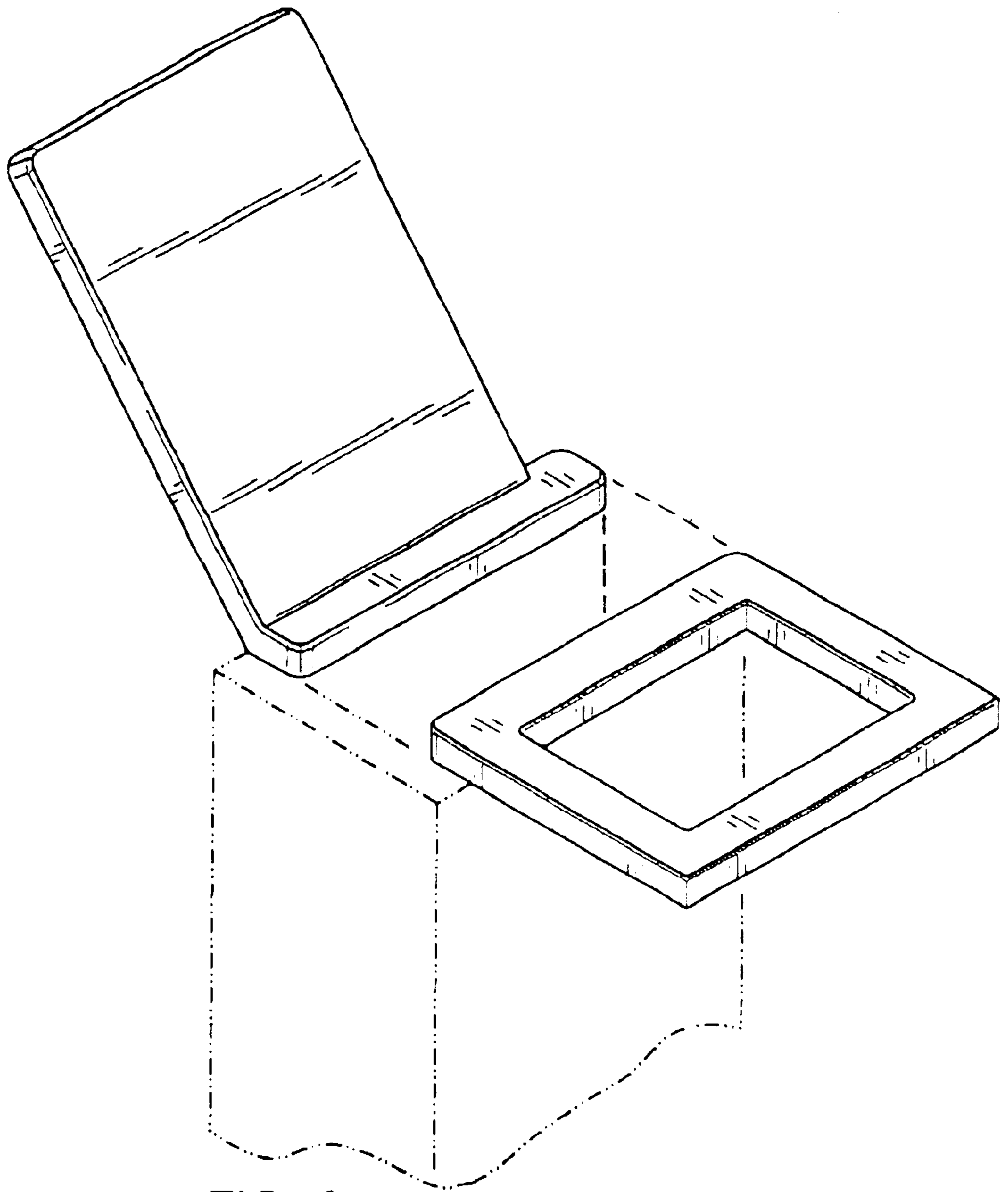
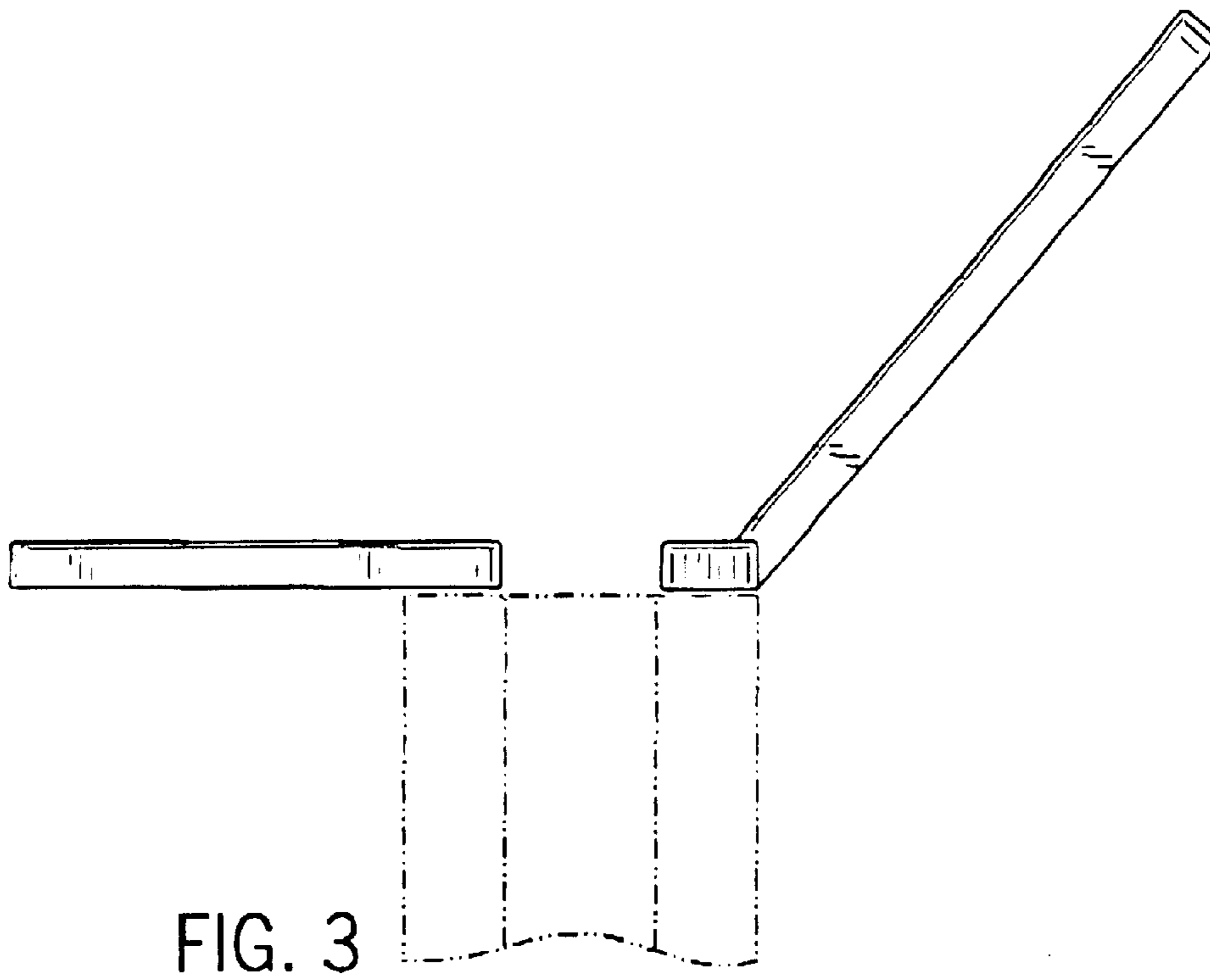
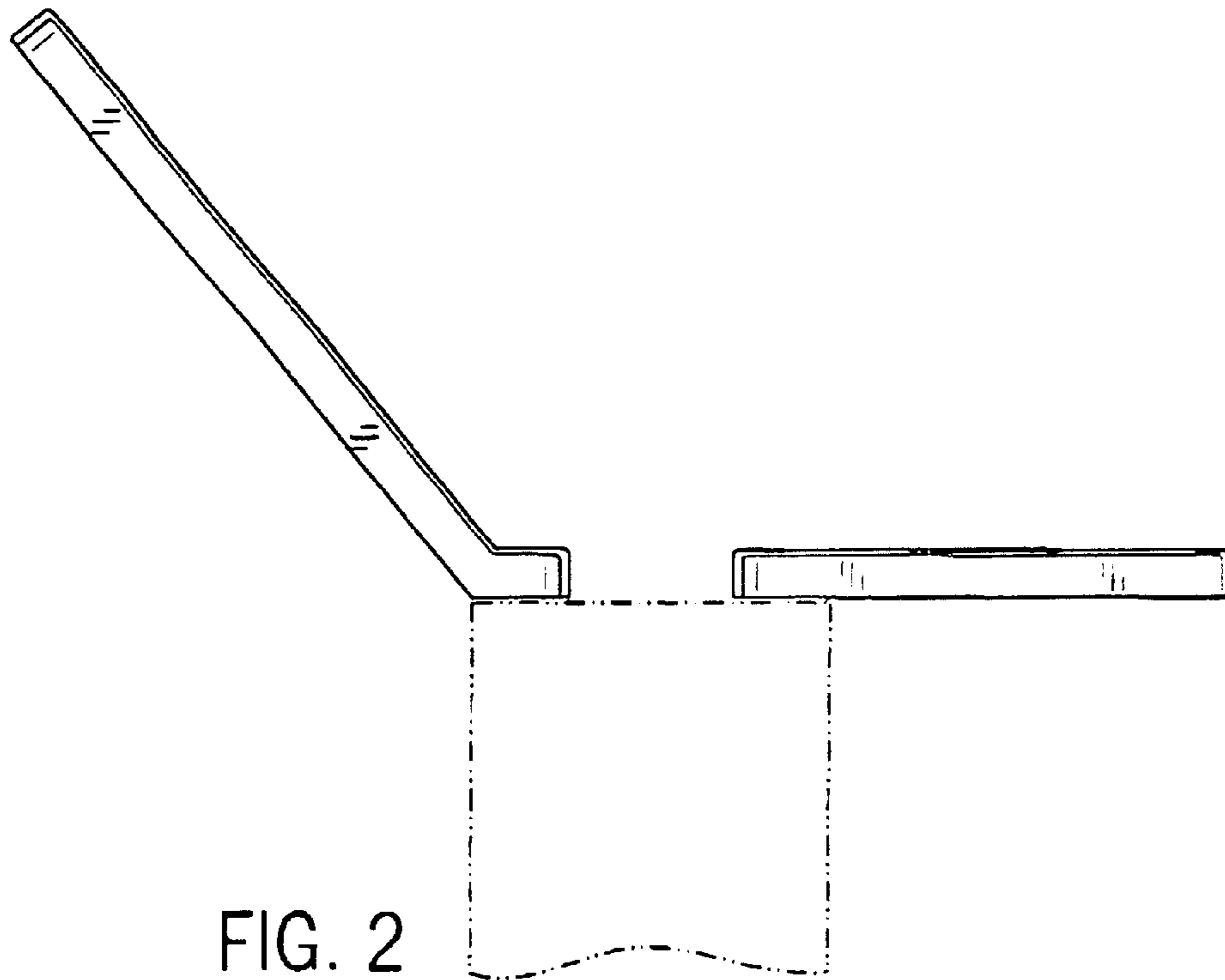


FIG. 1



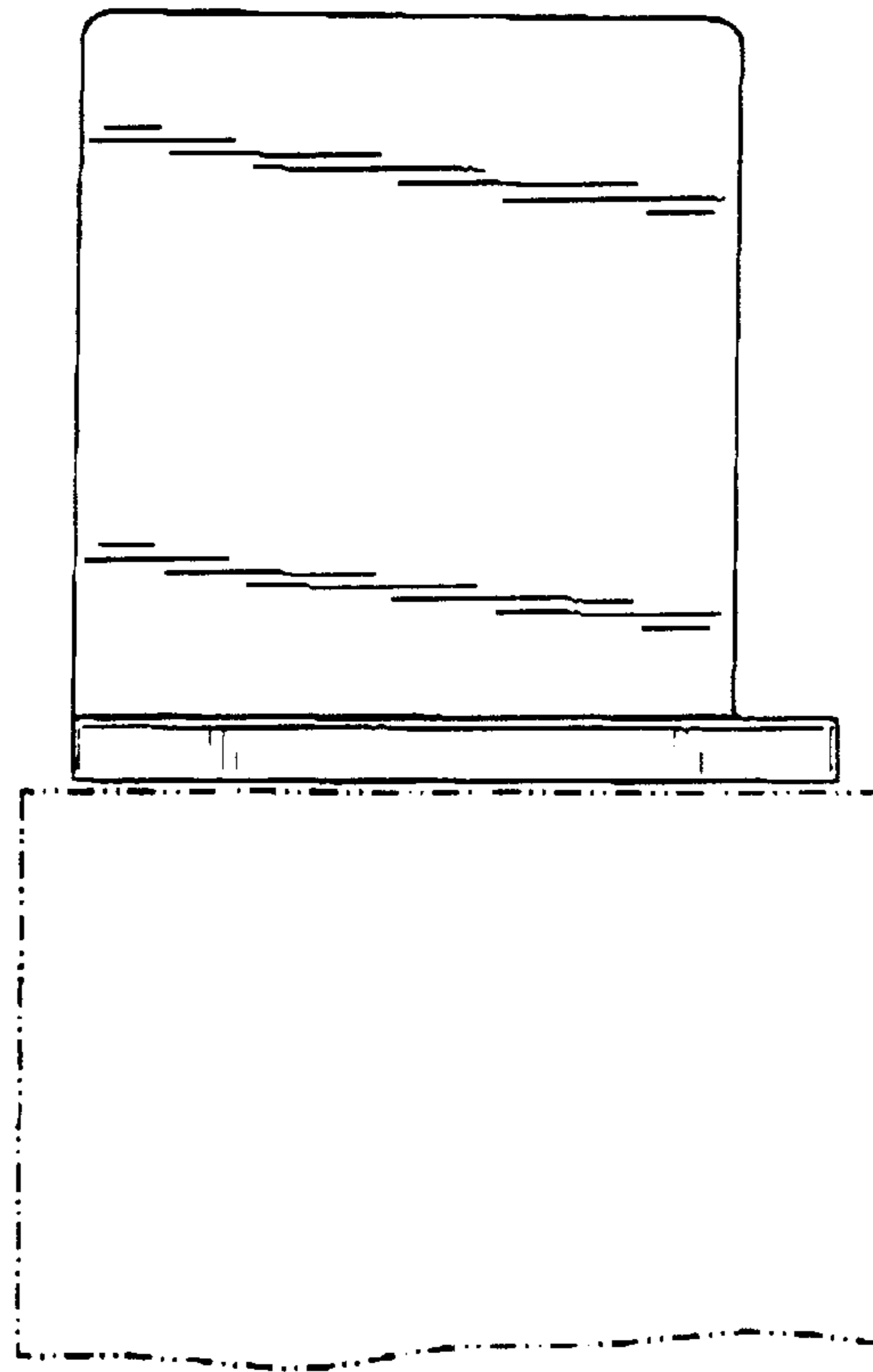


FIG. 4

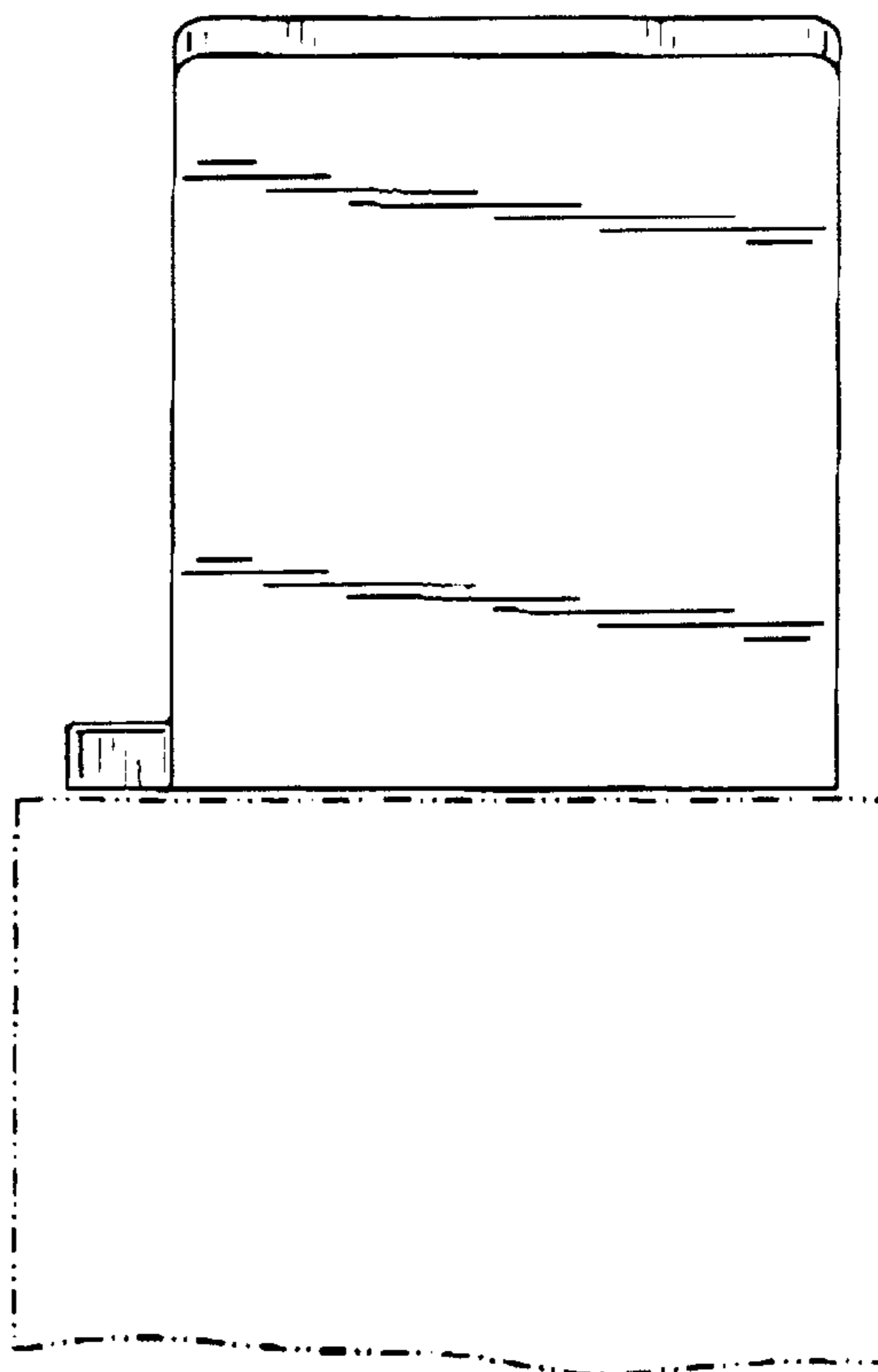


FIG. 5

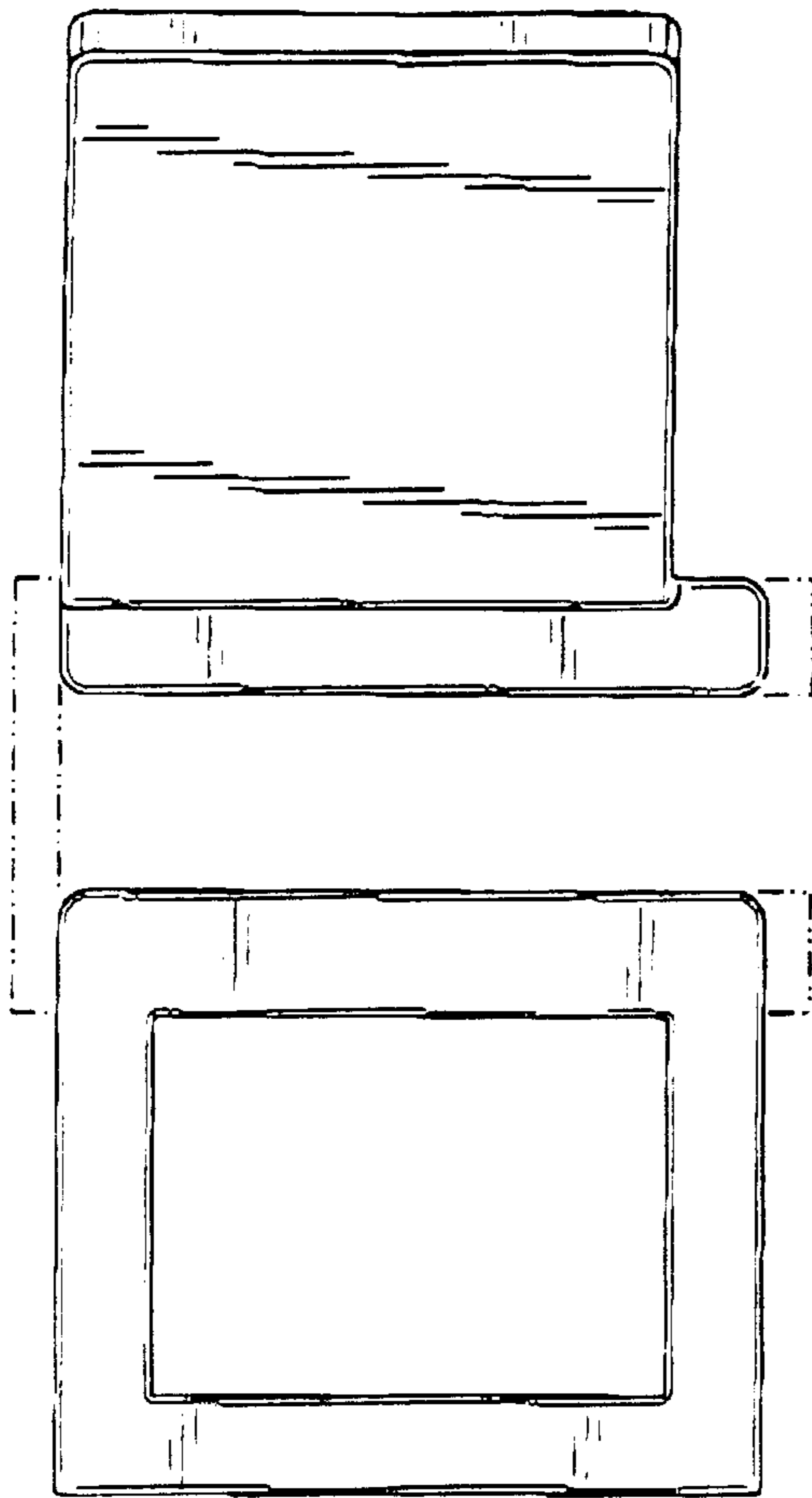


FIG. 6

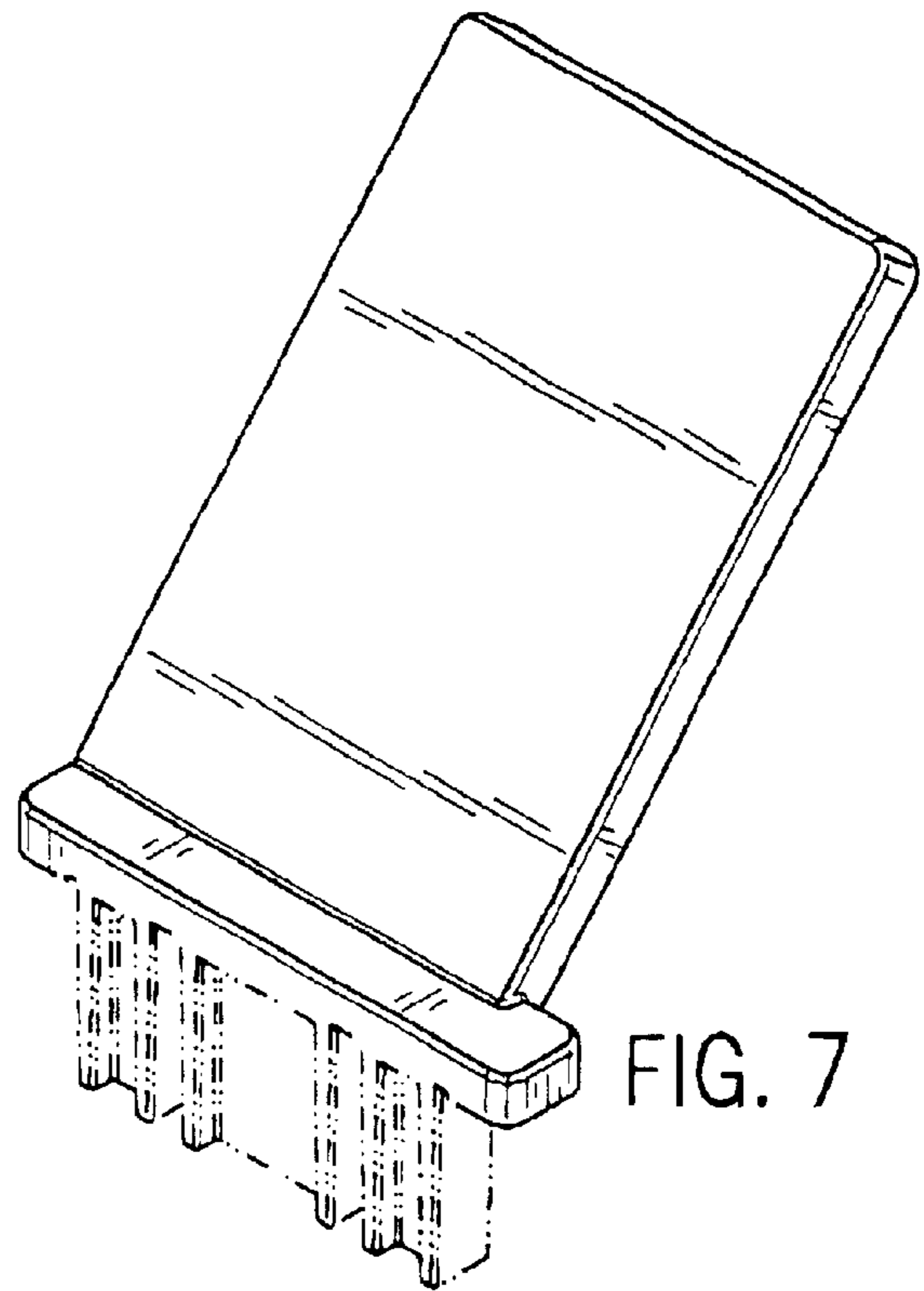


FIG. 7

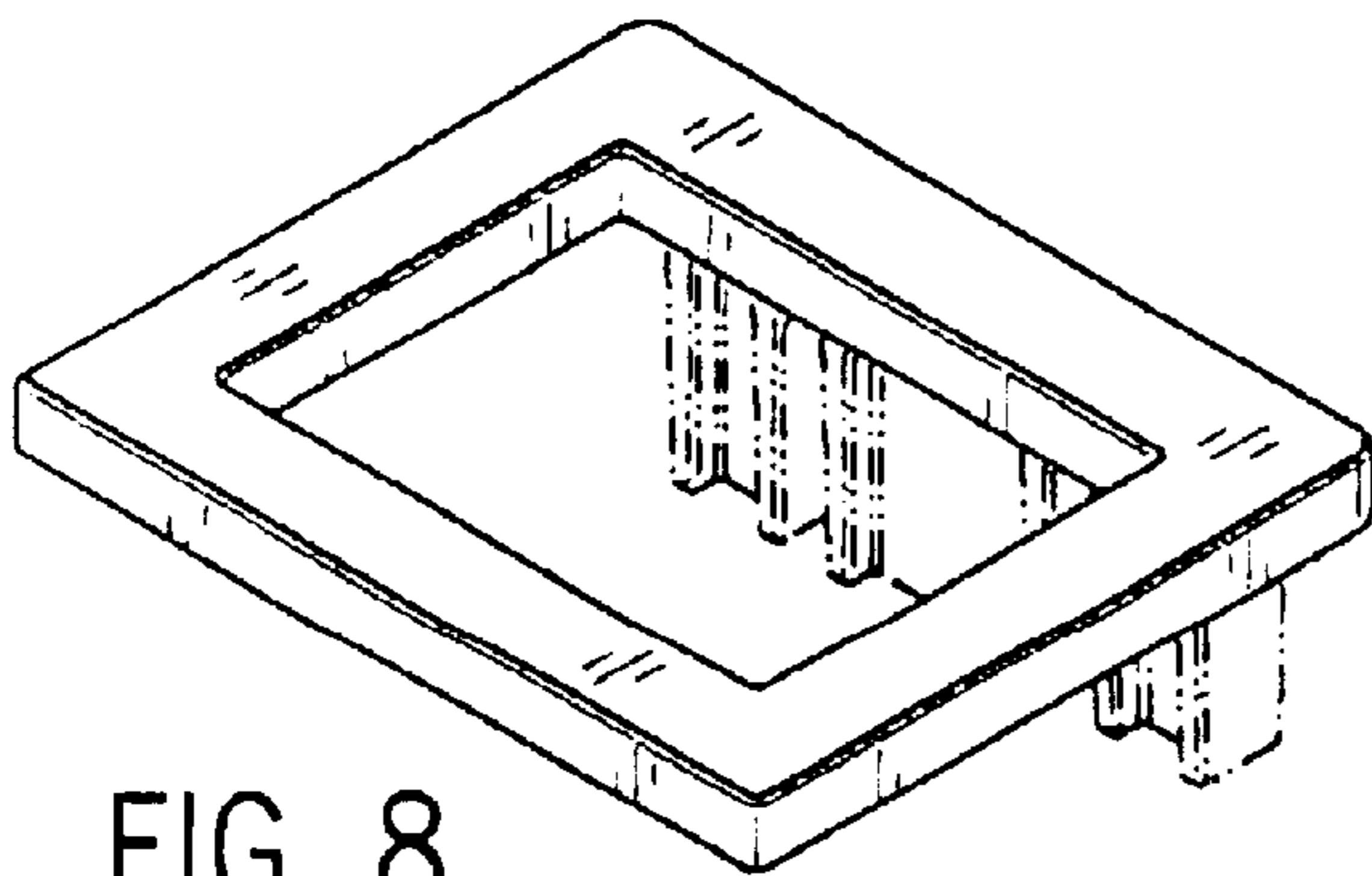


FIG. 8