



US00D471389S

(12) **United States Design Patent**
Köllner

(10) **Patent No.:** **US D471,389 S**

(45) **Date of Patent:** **** Mar. 11, 2003**

(54) **HANGER**

(75) **Inventor:** **Hanns-Joachim Köllner, Düsseldorf (DE)**

(73) **Assignee:** **Wenko-Wenselaar GmbH & Co. KG, Hilden (DE)**

(**) **Term:** **14 Years**

(21) **Appl. No.:** **29/155,942**

(22) **Filed:** **Feb. 22, 2002**

(51) **LOC (7) Cl.** **06-06**

(52) **U.S. Cl.** **D6/513**

(58) **Field of Search** D6/513, 514, 546,
D6/548; 211/13.1, 85.3, 16, 86.01, 87.01,
88.04, 113, 119, 123, 182; 248/251, 317,
340

(56) **References Cited**

U.S. PATENT DOCUMENTS

- D287,550 S * 1/1987 Tocci D6/548 X
- 4,991,724 A * 2/1991 Wei 211/88.04
- D354,412 S * 1/1995 Emery D6/548
- D367,793 S * 3/1996 Macek D6/548

- D377,728 S * 2/1997 Klein et al. D6/548 X
- D398,468 S * 9/1998 Yemini D6/548
- D419,349 S * 1/2000 Klein et al. D6/548 X

* cited by examiner

Primary Examiner—Brian N. Vinson

(74) *Attorney, Agent, or Firm*—Crowell & Moring LLP

(57) **CLAIM**

The ornamental design for a hanger, as shown and described.

DESCRIPTION

This application is related to patent application Ser. No. 29/155,945, entitled "Hanger";

This application is related to patent application Ser. No. 29/155,944, entitled "Hanger";

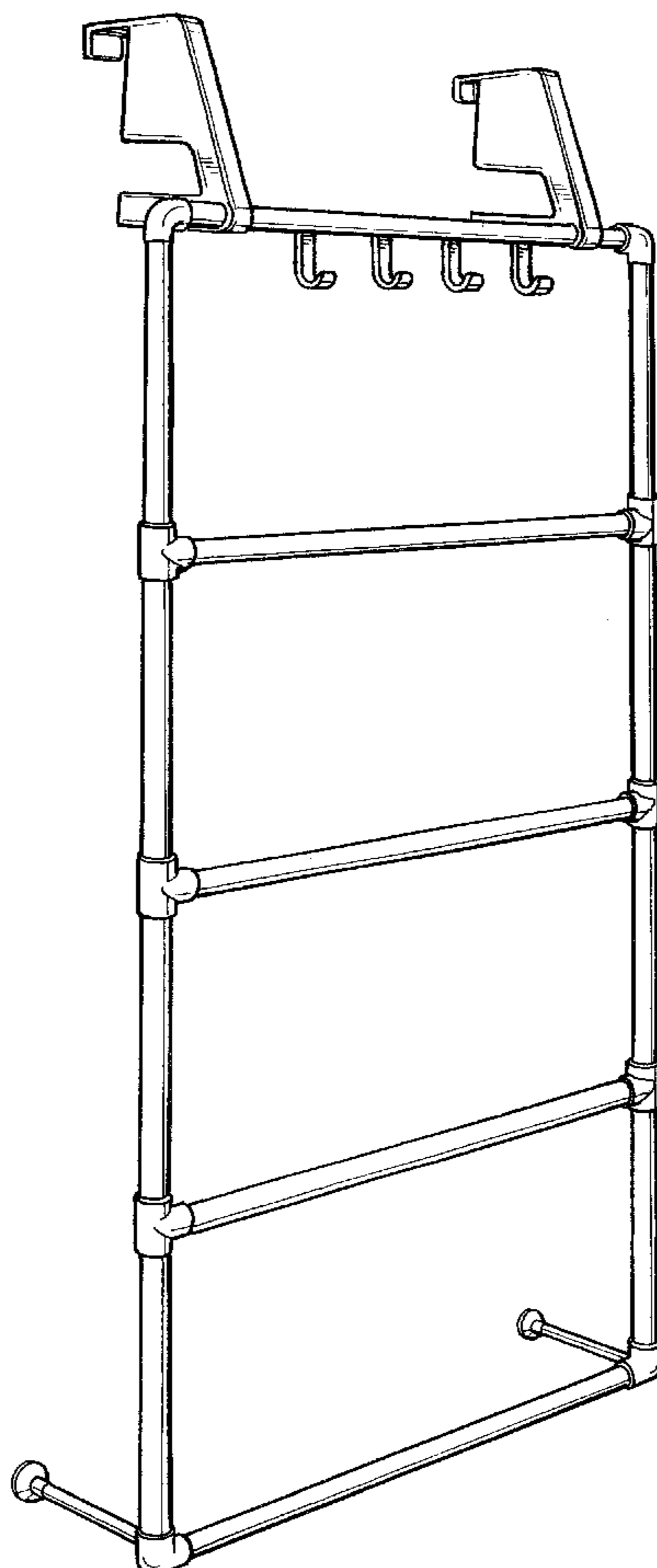
This application is related to patent application Ser. No. 29/155,943, entitled "Hanger";

This application is related to patent application Ser. No. 29/155,941, entitled "Hanger";

FIG. 1 is a left perspective view of a hanger according to my novel design, the right perspective view being mirror symmetrical; and,

FIG. 2 is a front view of the hanger according to my novel design.

1 Claim, 2 Drawing Sheets



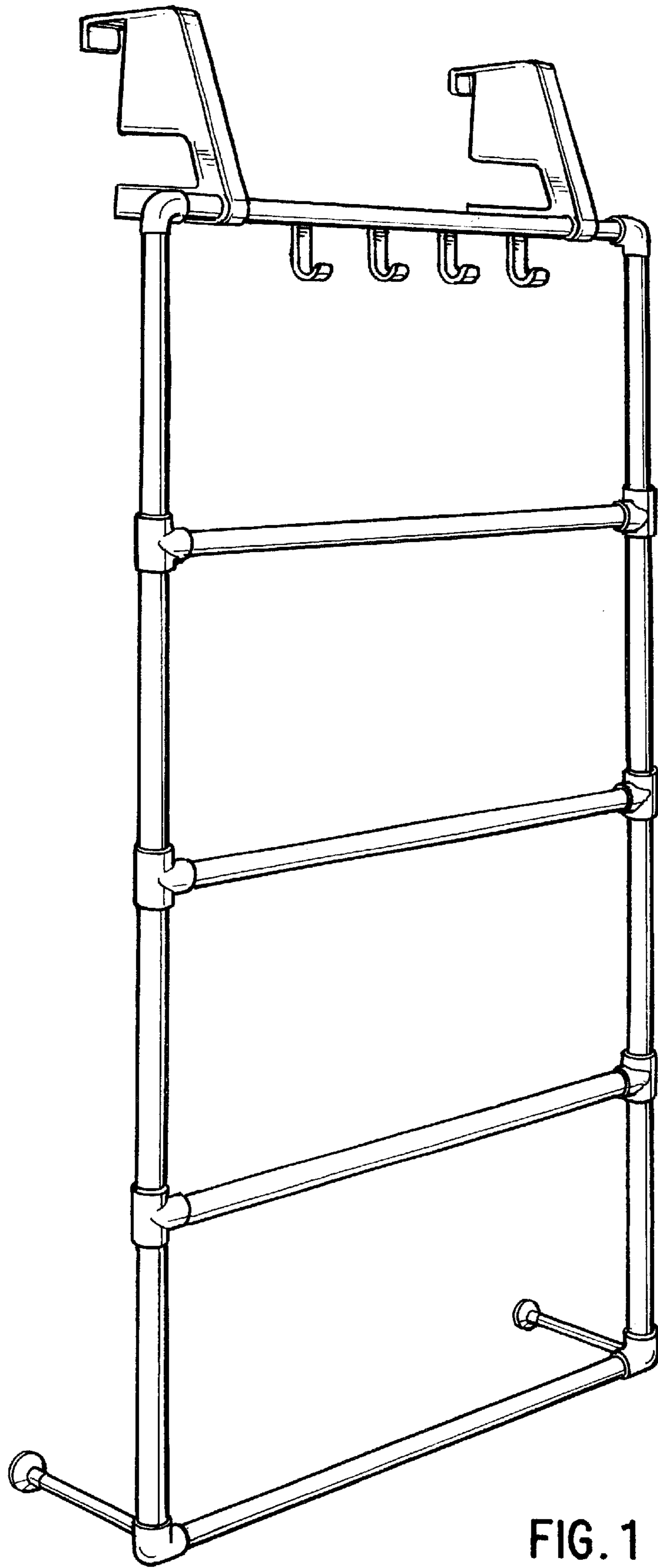


FIG. 1

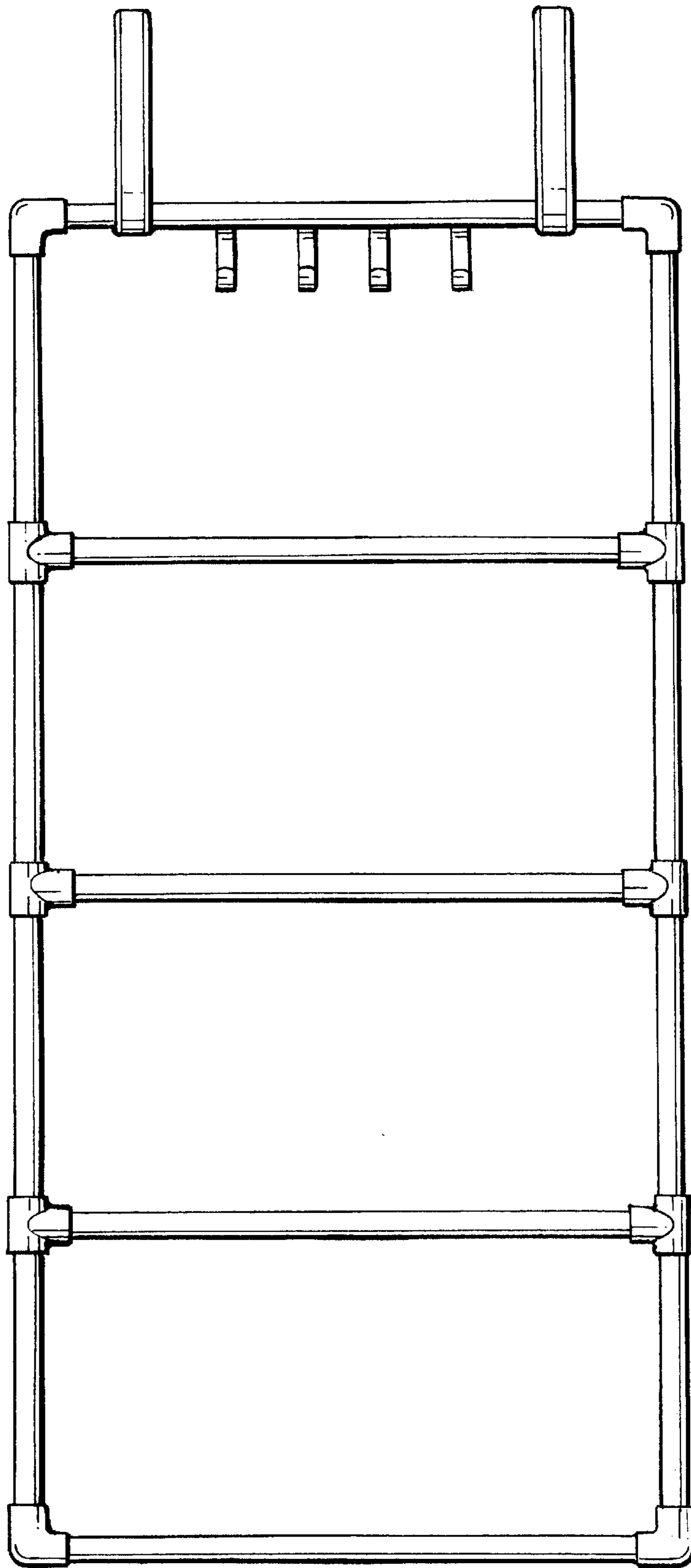


FIG. 2