



US00D471388S

(12) **United States Design Patent**  
**Wang**

(10) **Patent No.:** **US D471,388 S**

(45) **Date of Patent:** **\*\* Mar. 11, 2003**

(54) **ARMREST**

(76) **Inventor:** **Ching-Chang Wang**, No. 200, Lane  
545, Section 1, Yuang Shing Road,  
Wuchi, Taichung Hsien (TW)

(\*\*) **Term:** **14 Years**

(21) **Appl. No.:** **29/162,469**

(22) **Filed:** **Jun. 17, 2002**

(51) **LOC (7) Cl.** ..... **06-06**

(52) **U.S. Cl.** ..... **D6/501; D6/366**

(58) **Field of Search** ..... D6/334, 364, 365,  
D6/366, 367, 500, 501, 502; 297/411.2,  
411.27

(56) **References Cited**

**U.S. PATENT DOCUMENTS**

D386,920 S	*	12/1997	Neil	.....	D6/501
D410,151 S	*	5/1999	Chu	.....	D6/366
D436,260 S	*	1/2001	Nagamitsu	.....	D6/366
D450,958 S	*	11/2001	Beaulieu	.....	D6/501

D459,922 S	*	7/2002	Lee	.....	D6/501
D461,076 S	*	8/2002	Lee	.....	D6/501
D461,077 S	*	8/2002	Lee	.....	D6/501
D461,661 S	*	8/2002	Koepke et al.	.....	D6/500

\* cited by examiner

*Primary Examiner*—Gary D. Watson  
(74) *Attorney, Agent, or Firm*—Alan Kamrath; Rider,  
Bennett, Egan & Arundel, LLP

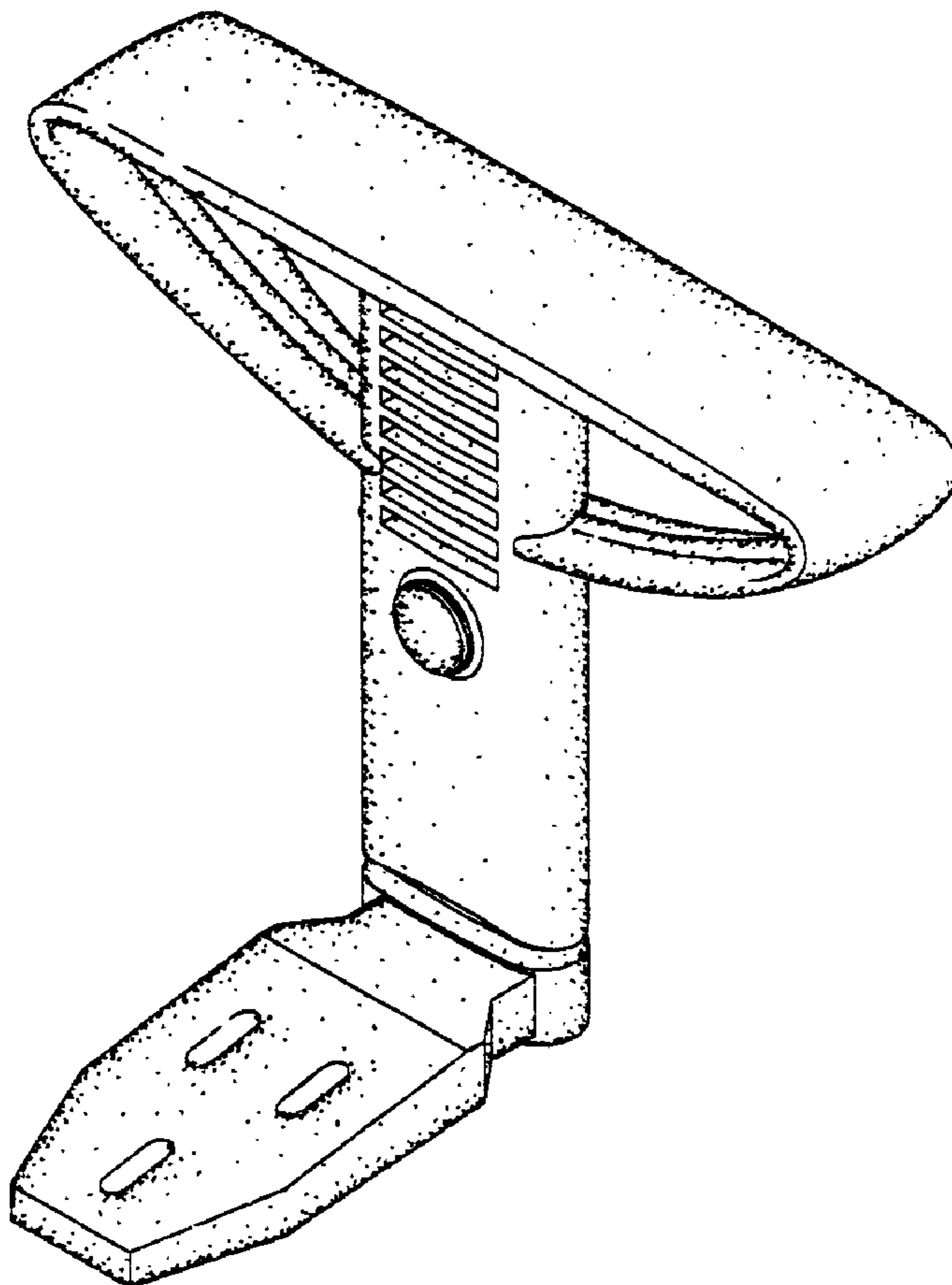
(57) **CLAIM**

The ornamental design for armrest, as shown and described.

**DESCRIPTION**

FIG. 1 is a perspective view of a armrest showing my new  
deisgn;  
FIG. 2 is a front elevational view thereof;  
FIG. 3 is a rear elevational view thereof;  
FIG. 4 is a left elevational view thereof; the opposite side  
being a mirror image of the shown.  
FIG. 5 is a top plan view thereof; and,  
FIG. 6 is bottom plan view thereof.

**1 Claim, 3 Drawing Sheets**



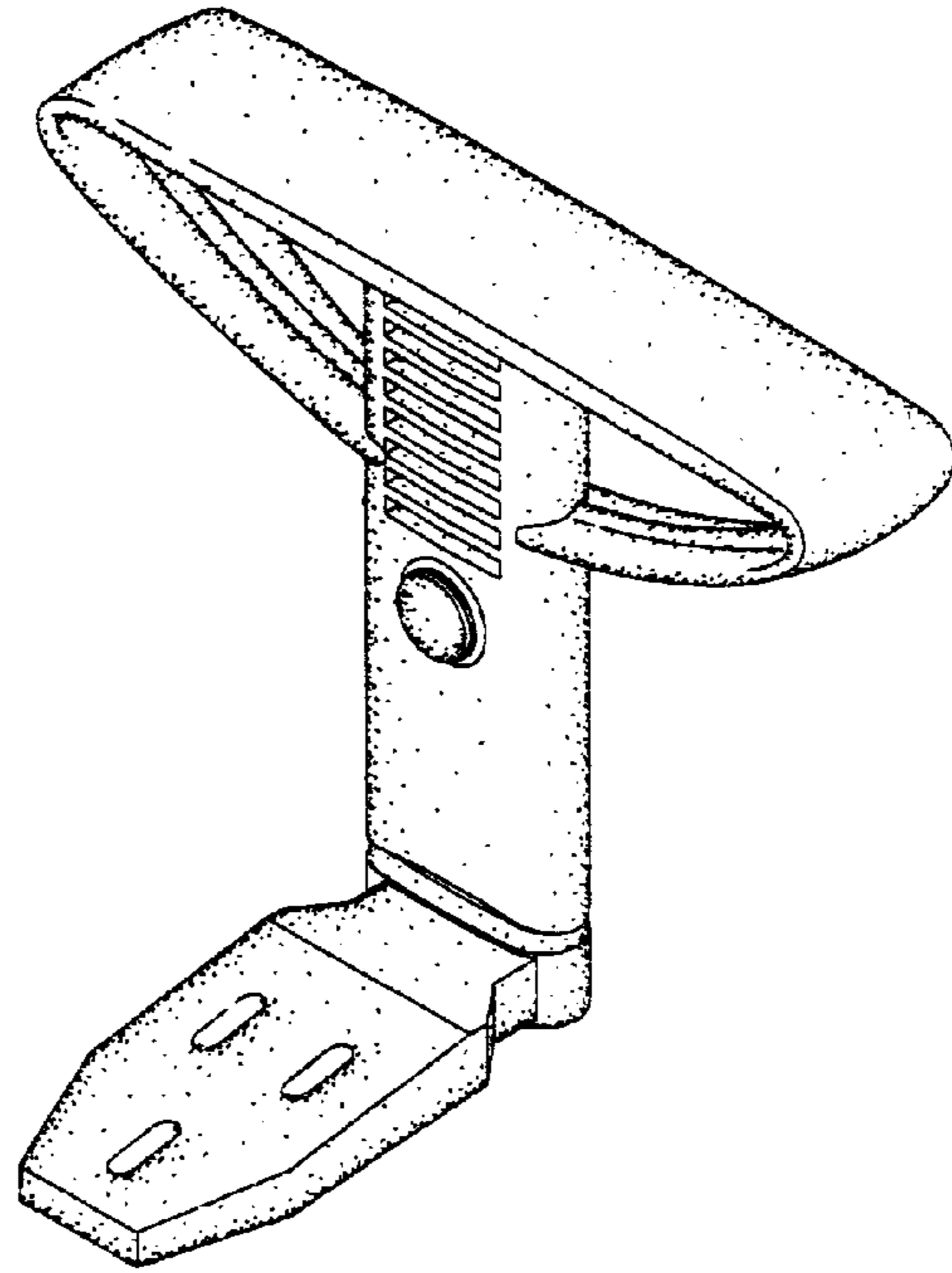


Fig. 1

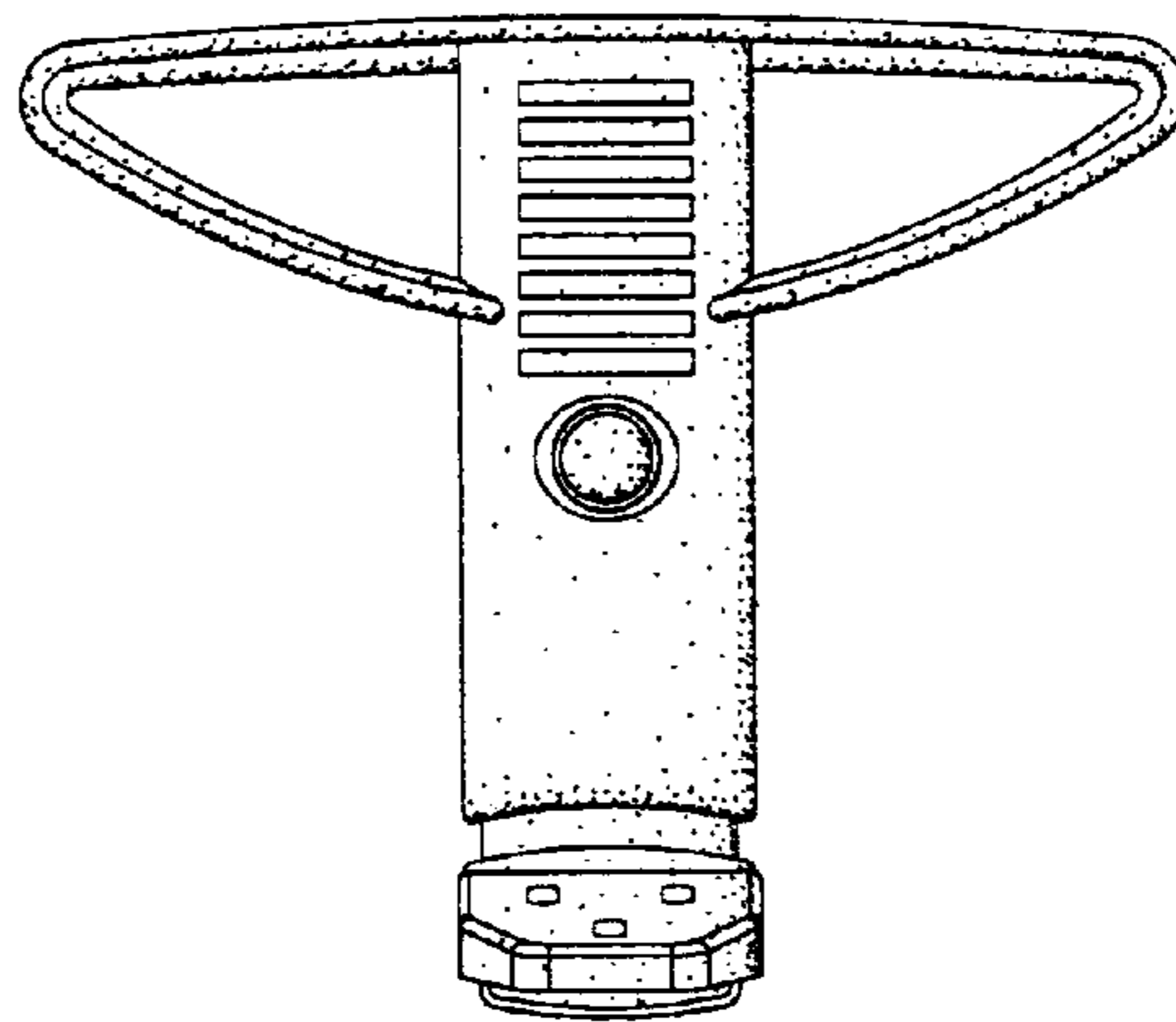


Fig. 2

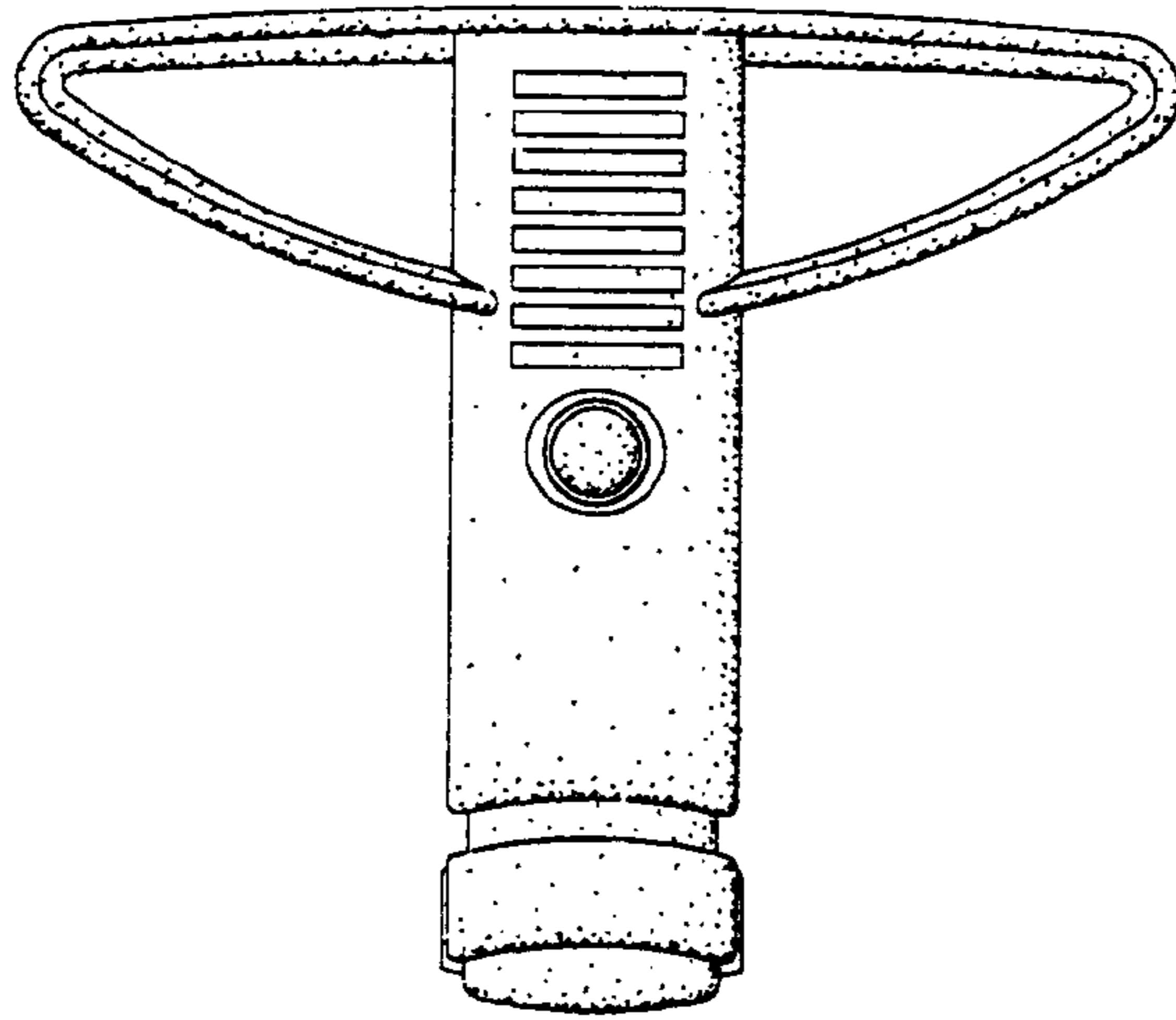


Fig. 3

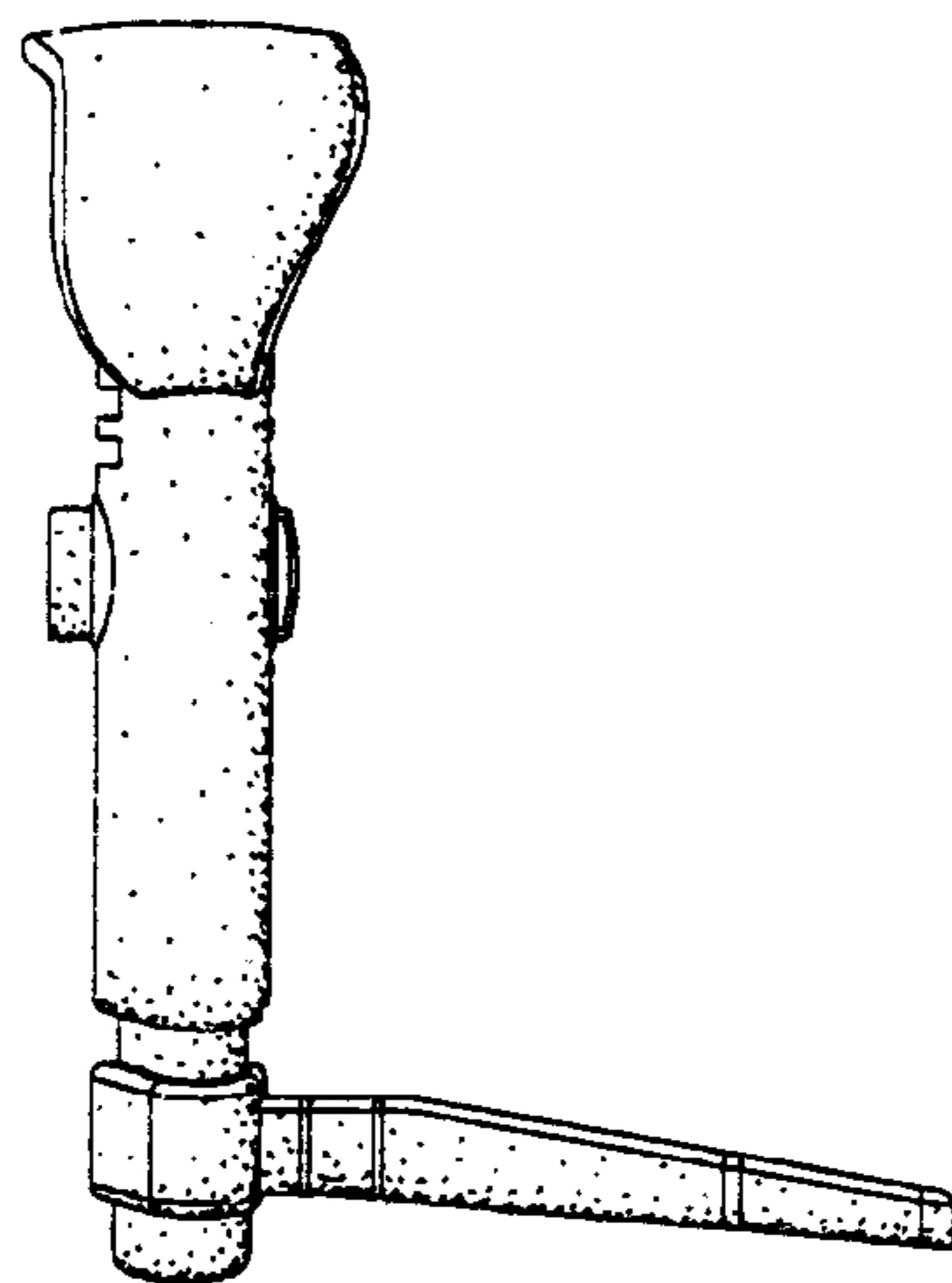


Fig. 4

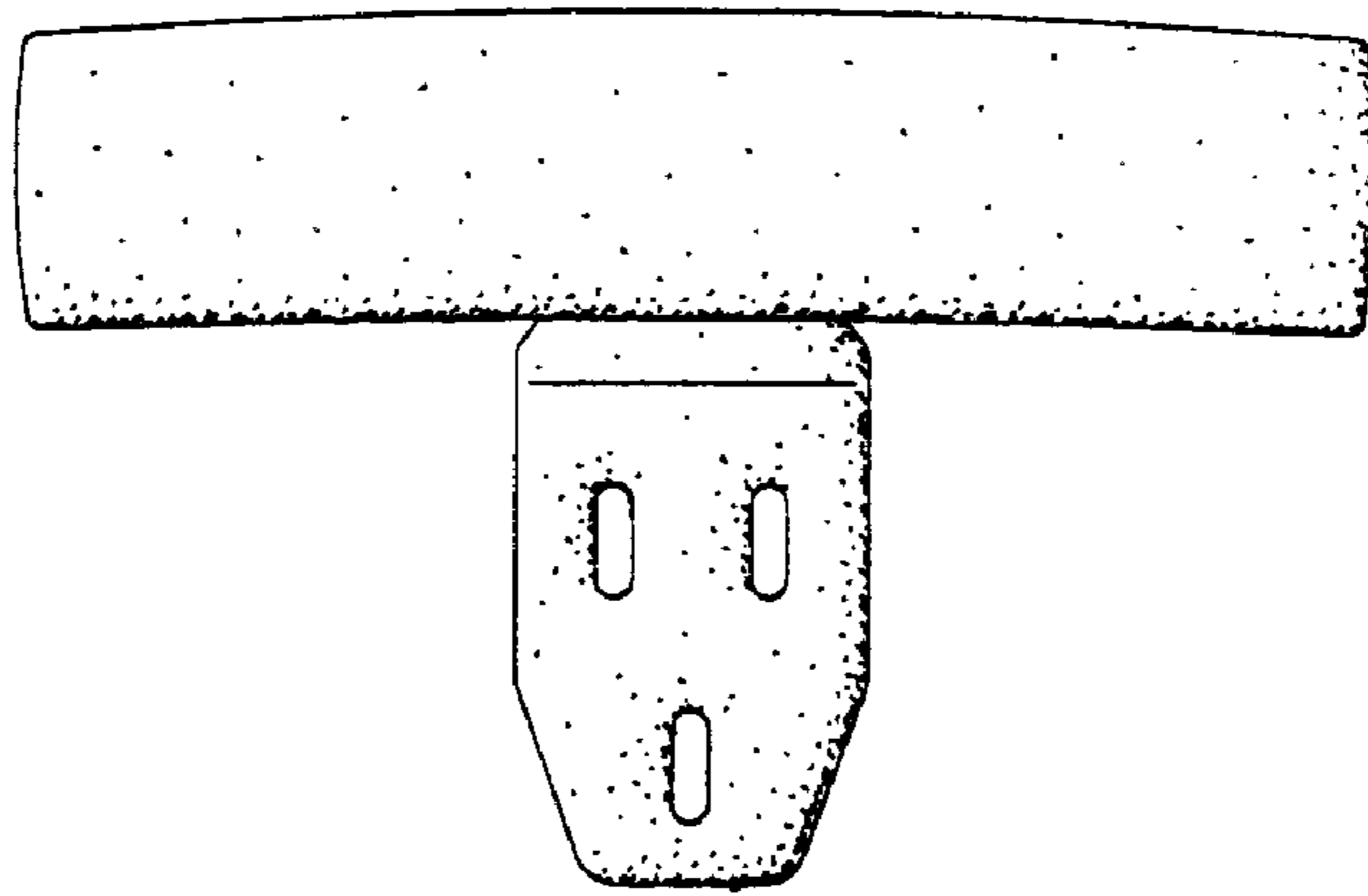


Fig. 5

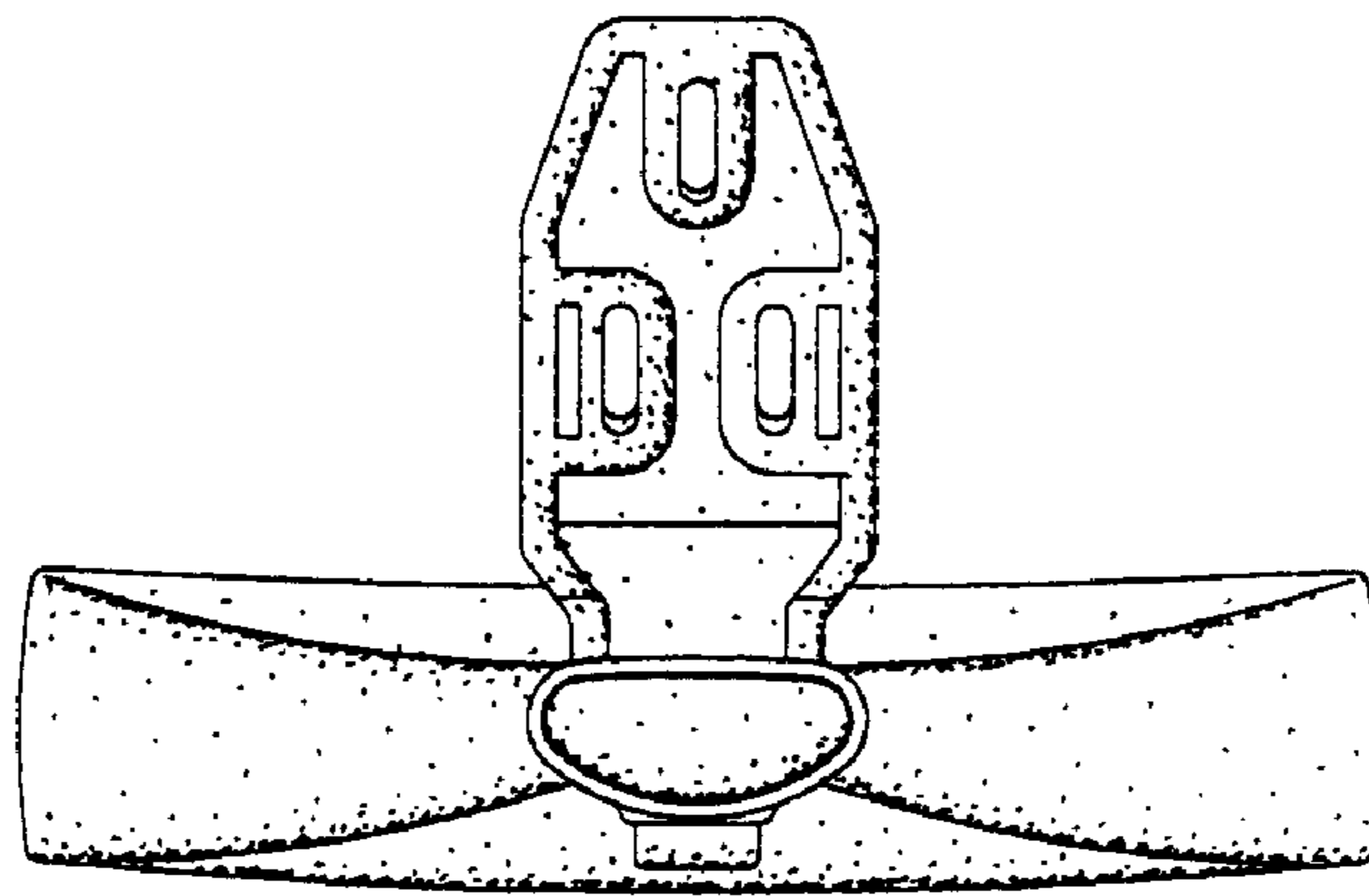


Fig. 6