



US00D471382S

(12) **United States Design Patent**
Jackson

(10) **Patent No.:** **US D471,382 S**

(45) **Date of Patent:** **** Mar. 11, 2003**

(54) **CABINET**

(75) **Inventor:** **Steven Jackson, Woodbridge (CA)**

(73) **Assignee:** **Royal Alliance Inc., Woodbridge (CA)**

(**) **Term:** **14 Years**

(21) **Appl. No.:** **29/164,885**

(22) **Filed:** **Aug. 2, 2002**

(51) **LOC (7) Cl. 06-04**

(52) **U.S. Cl. D6/470; D6/446**

(58) **Field of Search D6/396, 397, 432,
D6/433, 436, 440, 441, 444-448, 479, 509,
510, 511, 470; 312/198, 138.1, 204, 213,
348.4**

(56) **References Cited**

U.S. PATENT DOCUMENTS

D365,224 S * 12/1995 Pohlman D6/445

5,699,925 A * 12/1997 Petruzzi 220/4.27
D431,934 S * 10/2000 Chininis D6/446
6,193,340 B1 * 2/2001 Schenker et al. 312/265.5

* cited by examiner

Primary Examiner—Cathron C. Brooks

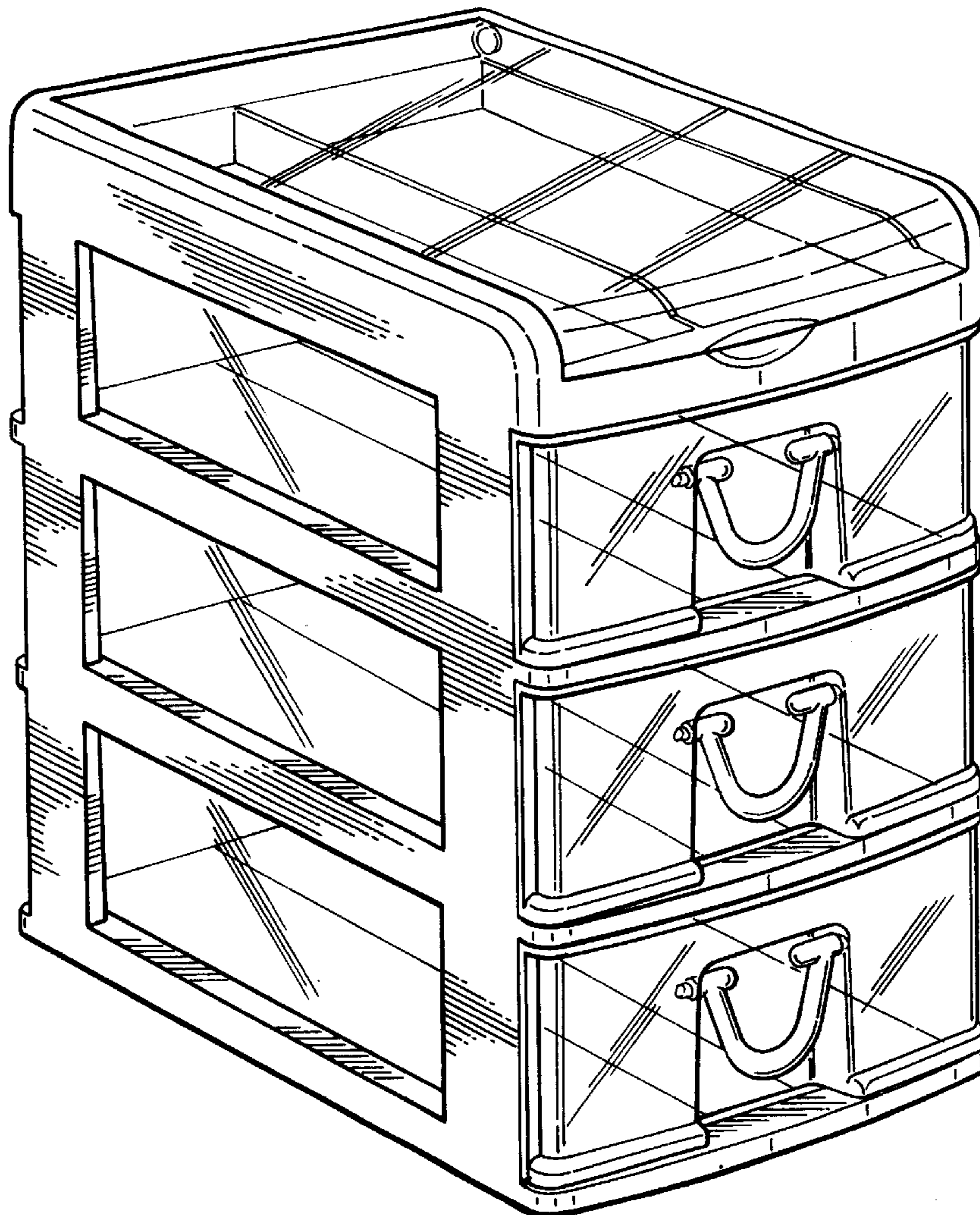
(57) **CLAIM**

The ornamental design for a cabinet, as shown and described.

DESCRIPTION

FIG. 1 is a perspective view of the cabinet to which the design is applied;
FIG. 2 is a right side view of the cabinet table of FIG. 1;
FIG. 3 is a front view of the cabinet of FIG. 1;
FIG. 4 is a left side view of the cabinet of FIG. 1; and,
FIGS. 5 through 7 are rear, top and bottom views of the cabinet of FIG. 1.

1 Claim, 4 Drawing Sheets



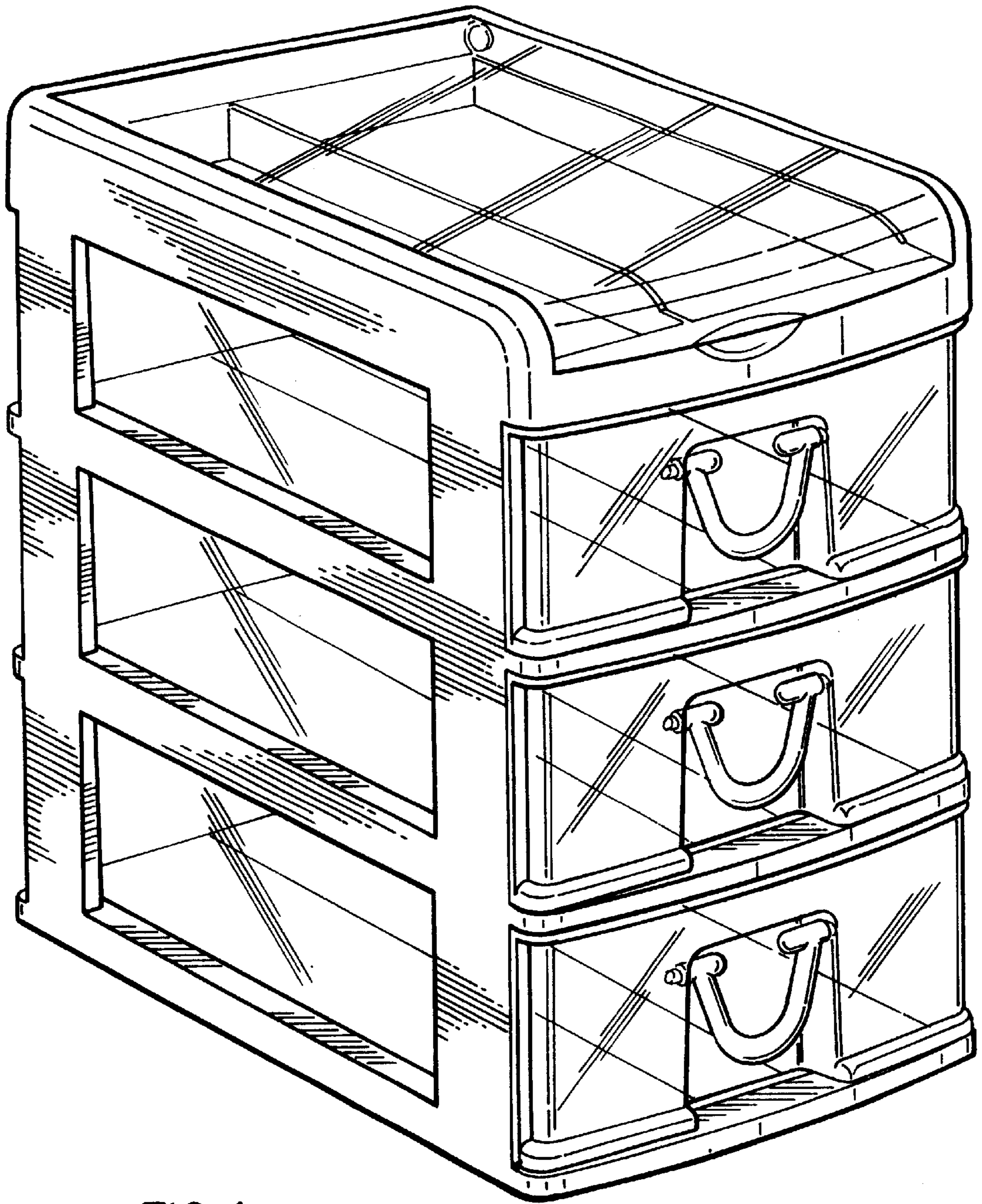


FIG. 1.

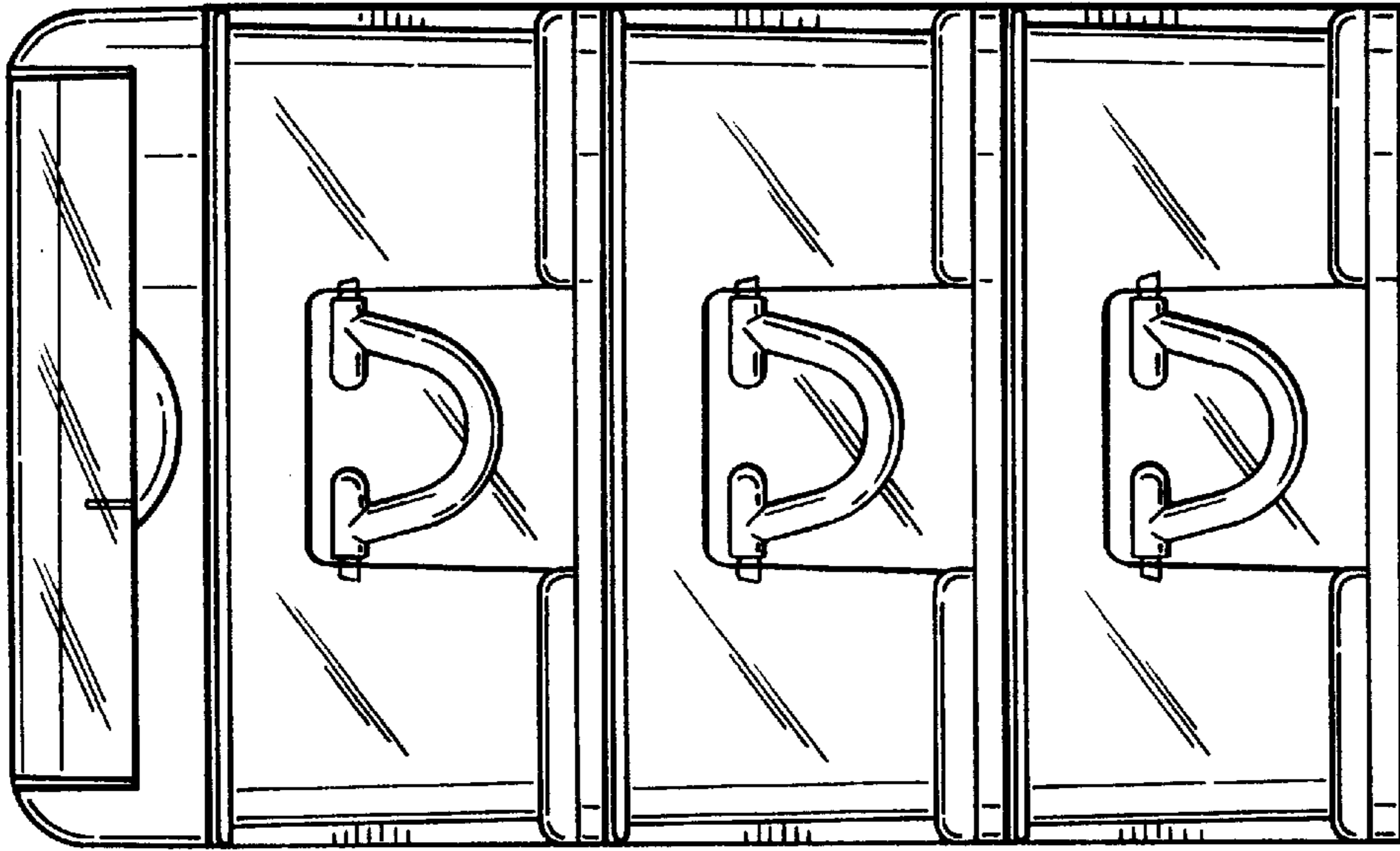


FIG. 3.

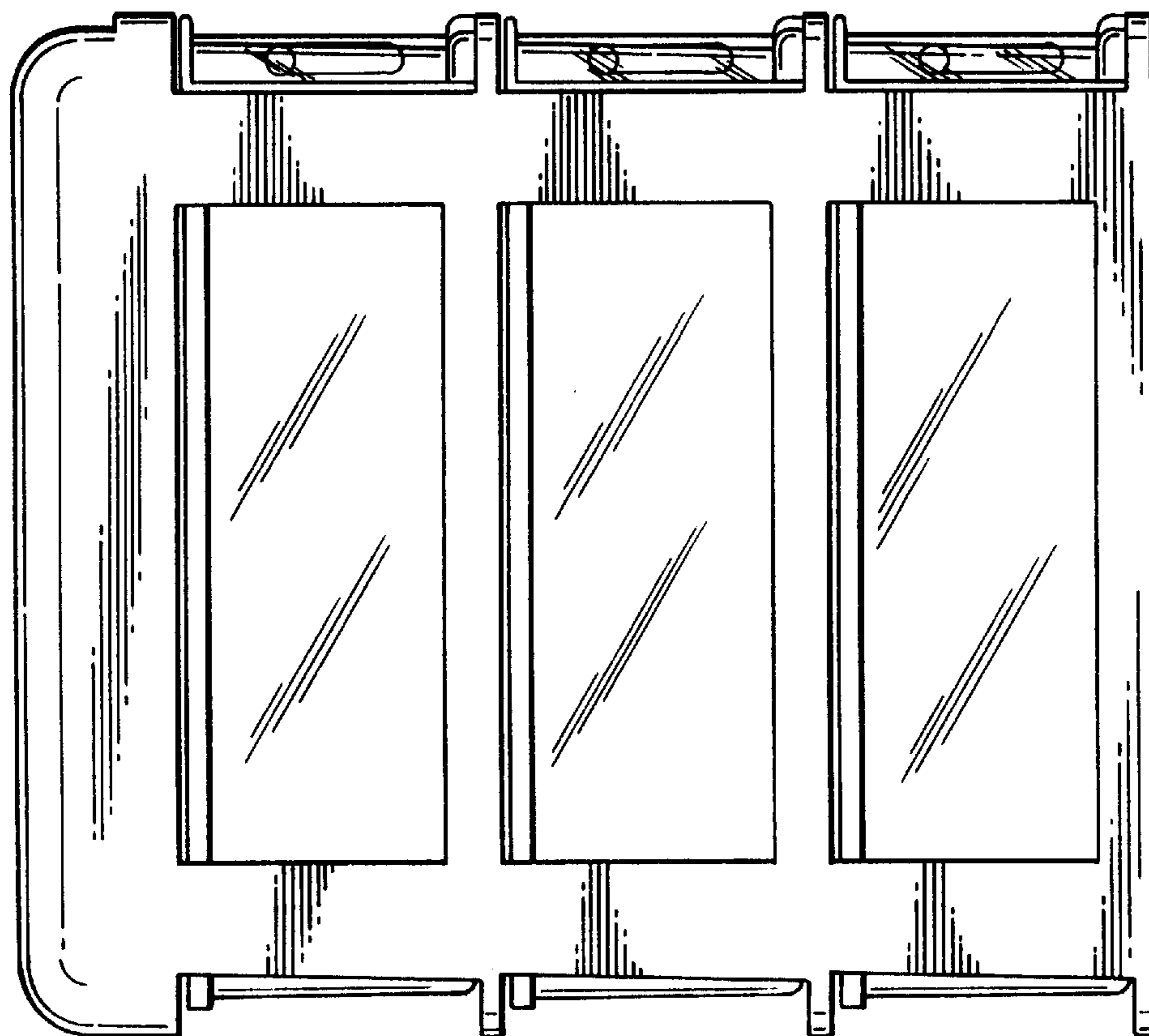


FIG. 2.

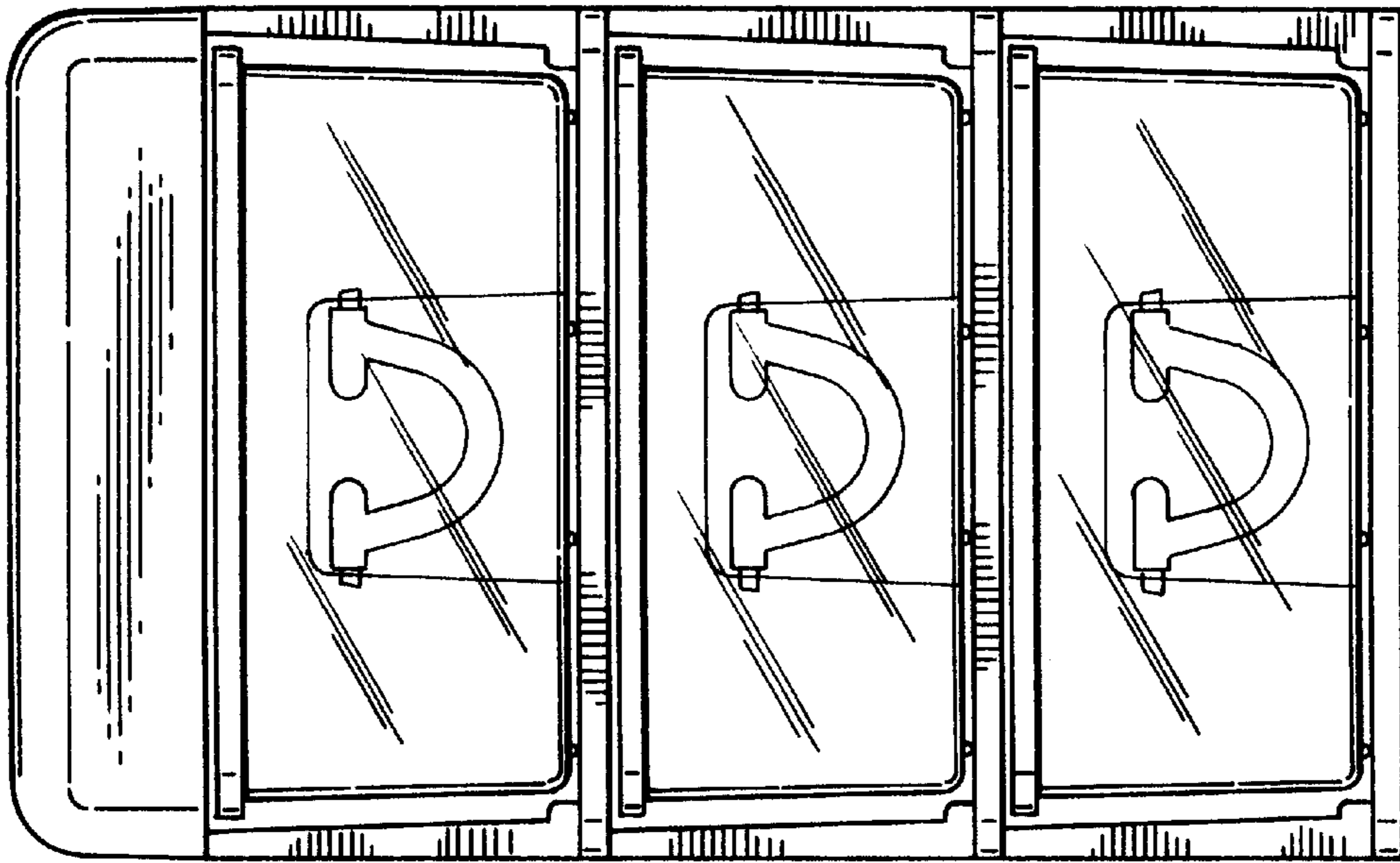


FIG. 5.

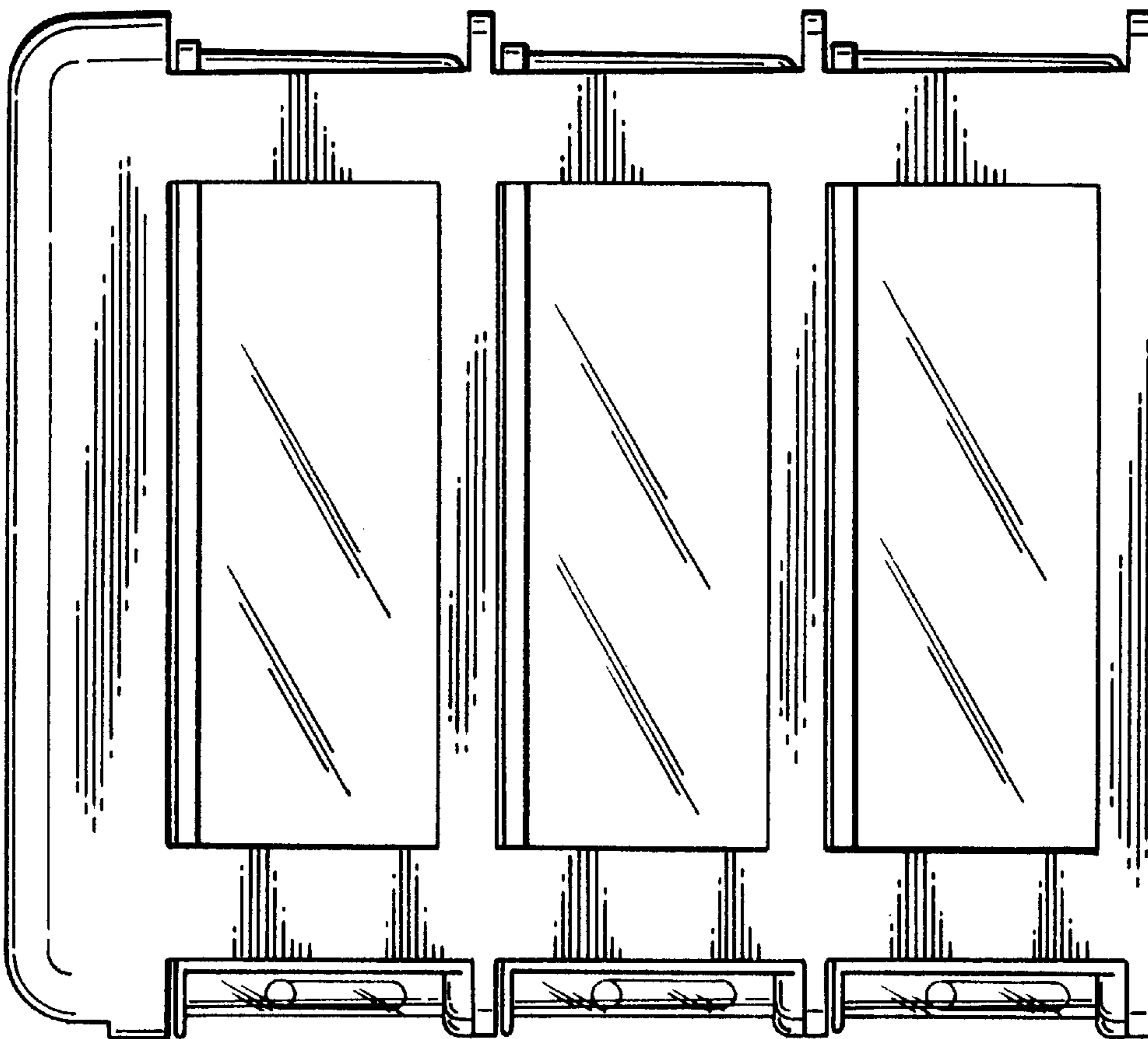


FIG. 4.

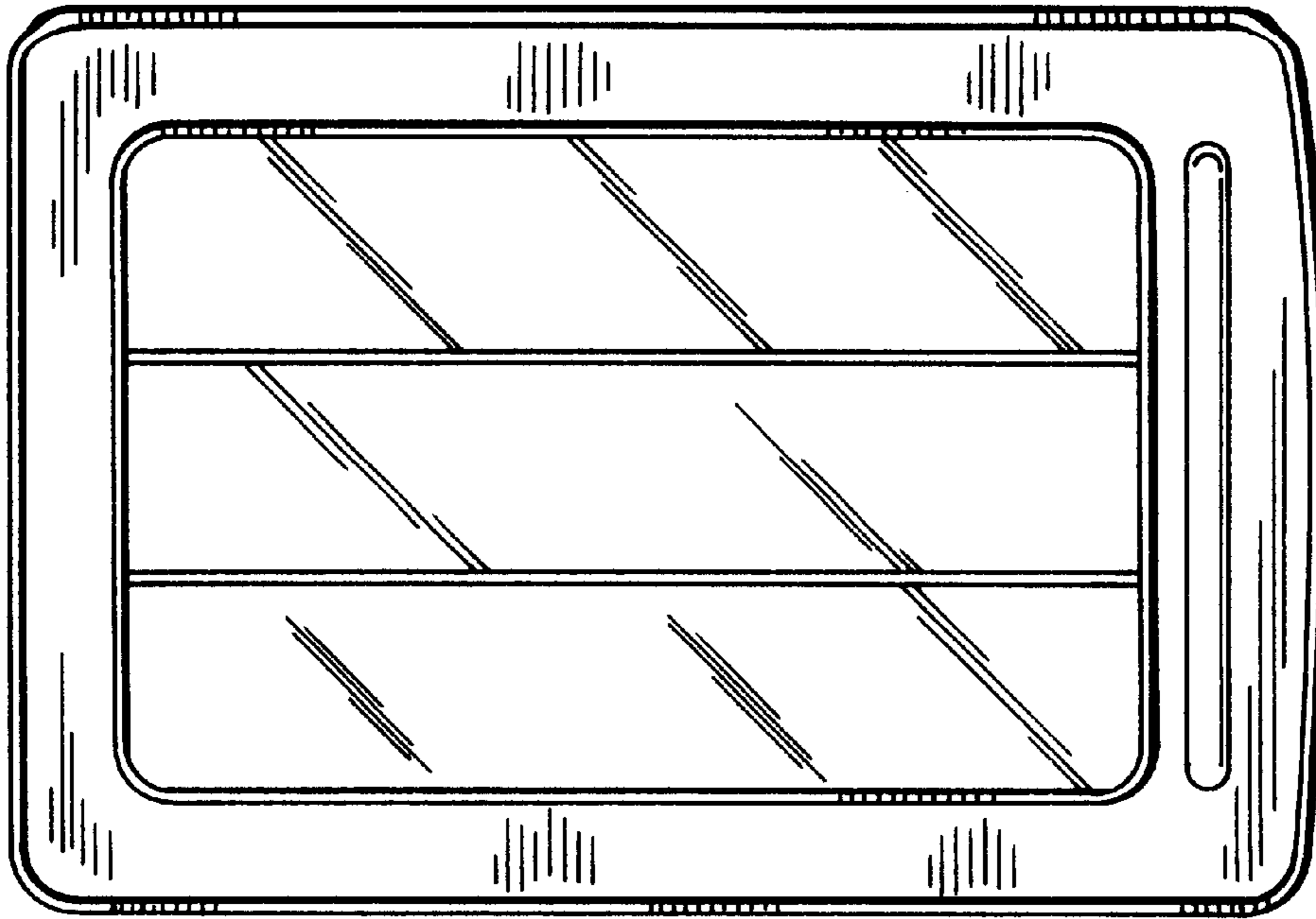


FIG. 7.

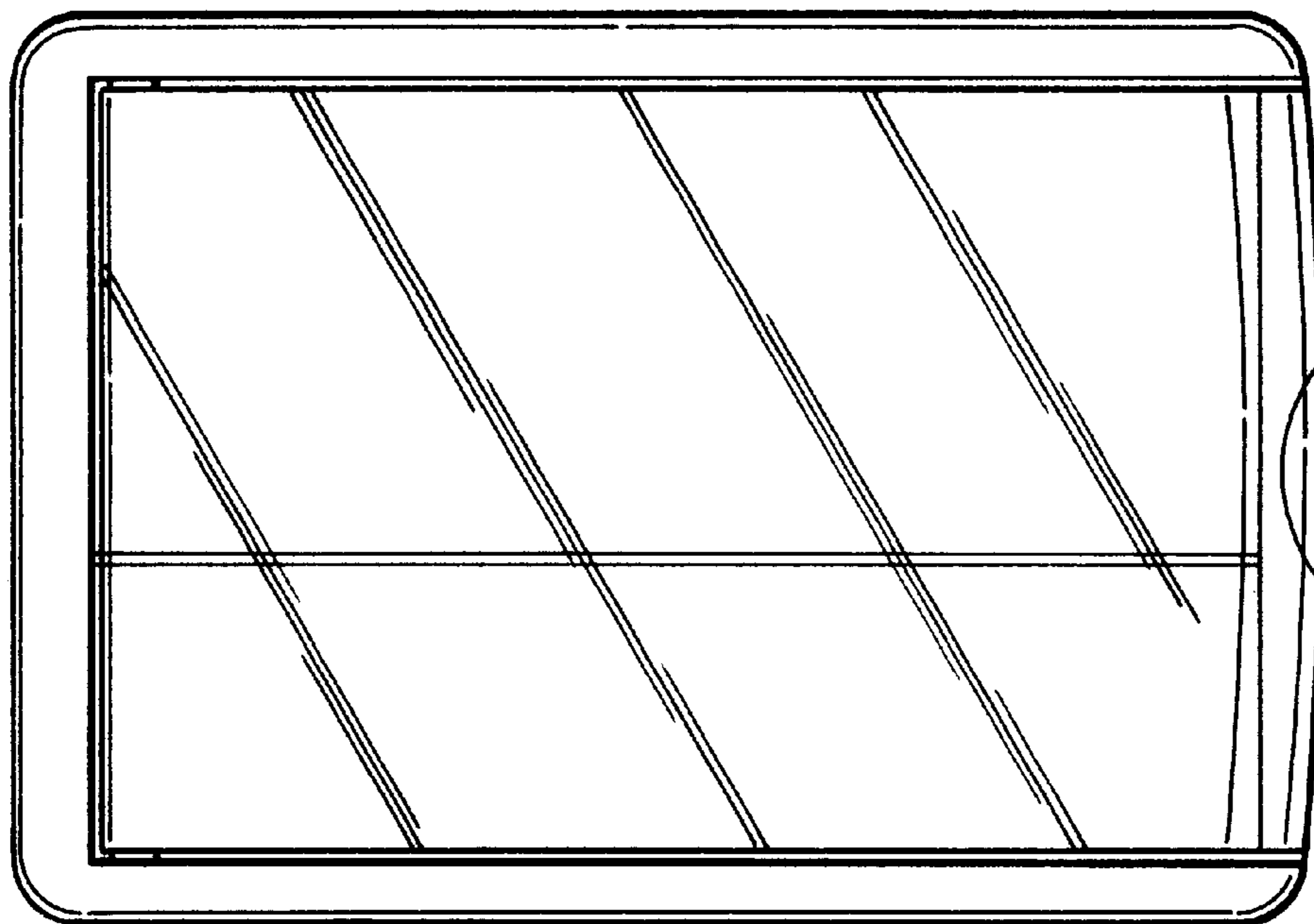


FIG. 6.