



US00D471377S

(12) **United States Design Patent**
Gledhill et al.

(10) **Patent No.:** **US D471,377 S**

(45) **Date of Patent:** **** Mar. 11, 2003**

(54) **STORAGE CABINET WITH PATTERNED DOOR**

(76) Inventors: **Dale C. Gledhill**, 790 W. 1760 South, Salt Lake City, UT (US) 84104;
Shun-Teng Chen, 58, Ma Yuan West St., Taichung (TW)

(**) Term: **14 Years**

(21) Appl. No.: **29/142,426**

(22) Filed: **May 25, 2001**

(51) **LOC (7) Cl.** **06-04**

(52) **U.S. Cl.** **D6/432**

(58) **Field of Search** D6/396, 397, 432, D6/436, 441, 443, 446, 448, 510, 511; 312/194, 138.1, 204, 213, 348.4

(56) **References Cited**

U.S. PATENT DOCUMENTS

D126,985 S	*	5/1941	Miller	D6/441
D286,122 S	*	10/1986	Golias	D6/559
D388,976 S	*	1/1998	Markson	D6/432
D410,230 S	*	5/1999	Witte	D6/432 X
D410,351 S	*	6/1999	Magnusson et al.	D6/446
D412,797 S	*	8/1999	Sadler	D6/448
D433,248 S	*	11/2000	Hellwig et al.	D6/441
D433,840 S	*	11/2000	Hawang	D6/432
D437,148 S	*	2/2001	Base et al.	D6/432
D439,777 S	*	4/2001	Laughton	D6/510

* cited by examiner

Primary Examiner—Cathron C. Brooks

(74) *Attorney, Agent, or Firm*—Workman Nydegger & Seeley

(57) **CLAIM**

The ornamental design for the storage cabinet with patterned door, as shown and described.

DESCRIPTION

The novel design of the present invention is embodied in a storage cabinet with a door. The door has a pattern thereon which may be referred to as a diamond plate pattern. The cabinet can be made from plastic or other materials and can preferably be assembled from approximately seven flat planar pieces by hand without tools. The door is hinged in a frame on the front of the cabinet. In one preferred embodiment, the top and two lateral sides of the cabinet are identical pieces.

FIG. 1 is a left perspective view of the storage cabinet with the door shown closed and showing one of the four cylindrical elements on the top surface in an exploded view.

FIG. 2 is a right front perspective view thereof, with the door shown opened. The appearance of the right side of the cabinet interior is a mirror image of that shown on the left side of the cabinet.

FIG. 3 is a rear perspective view thereof showing the rear and top surface of the cabinet; and,

FIG. 4 is a bottom perspective view thereof showing the bottom and right surface of the cabinet.

In a second embodiment of the storage cabinet as shown in FIGS. 1-4, the bottom of the storage cabinet forms no part of the claimed design.

In an additional embodiment of the storage cabinet as shown in FIGS. 1-4, the cabinet interior and interior of the cabinet door forms no part of the claimed design.

1 Claim, 4 Drawing Sheets

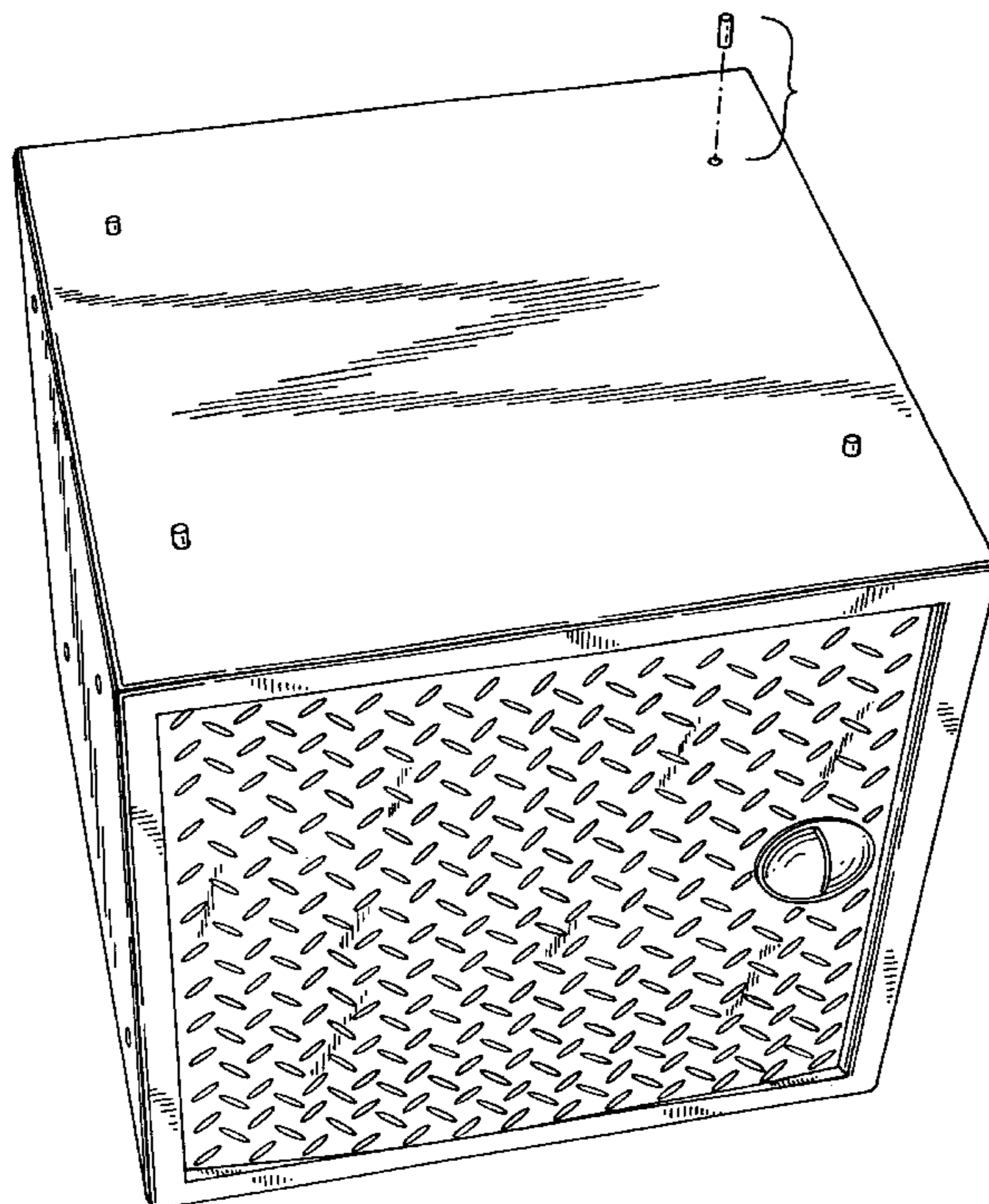


FIG. 1

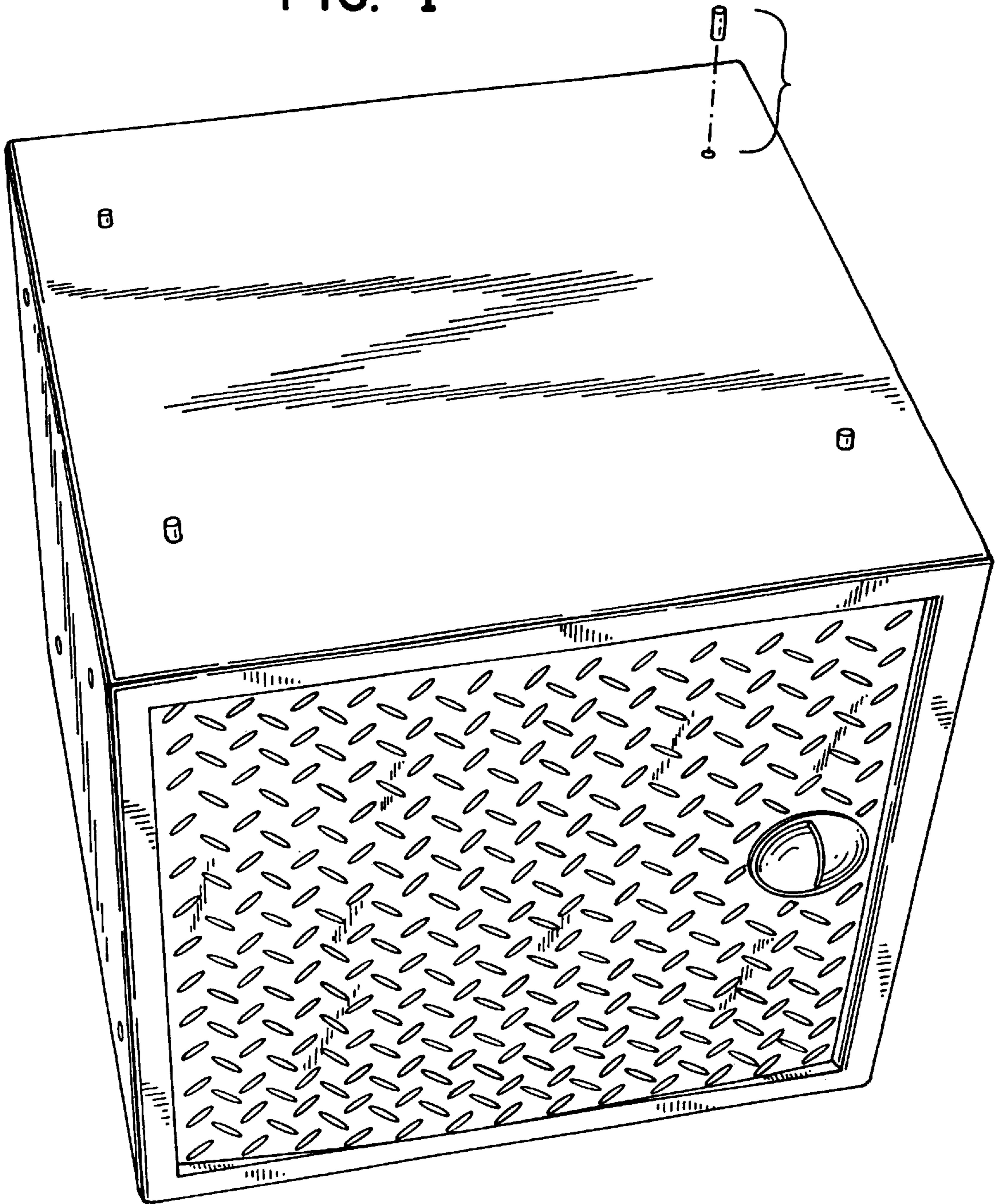


FIG. 2

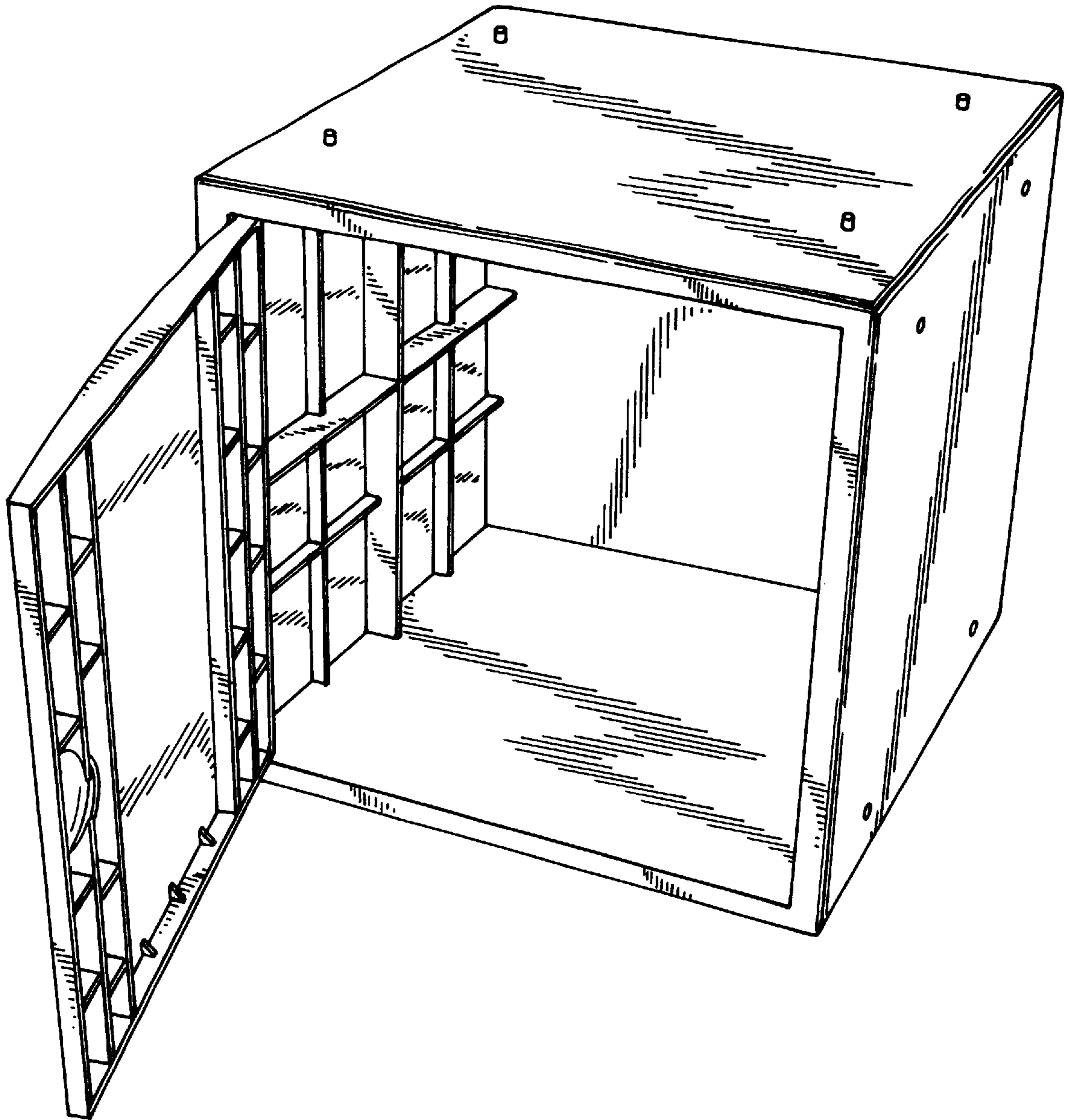


FIG. 3

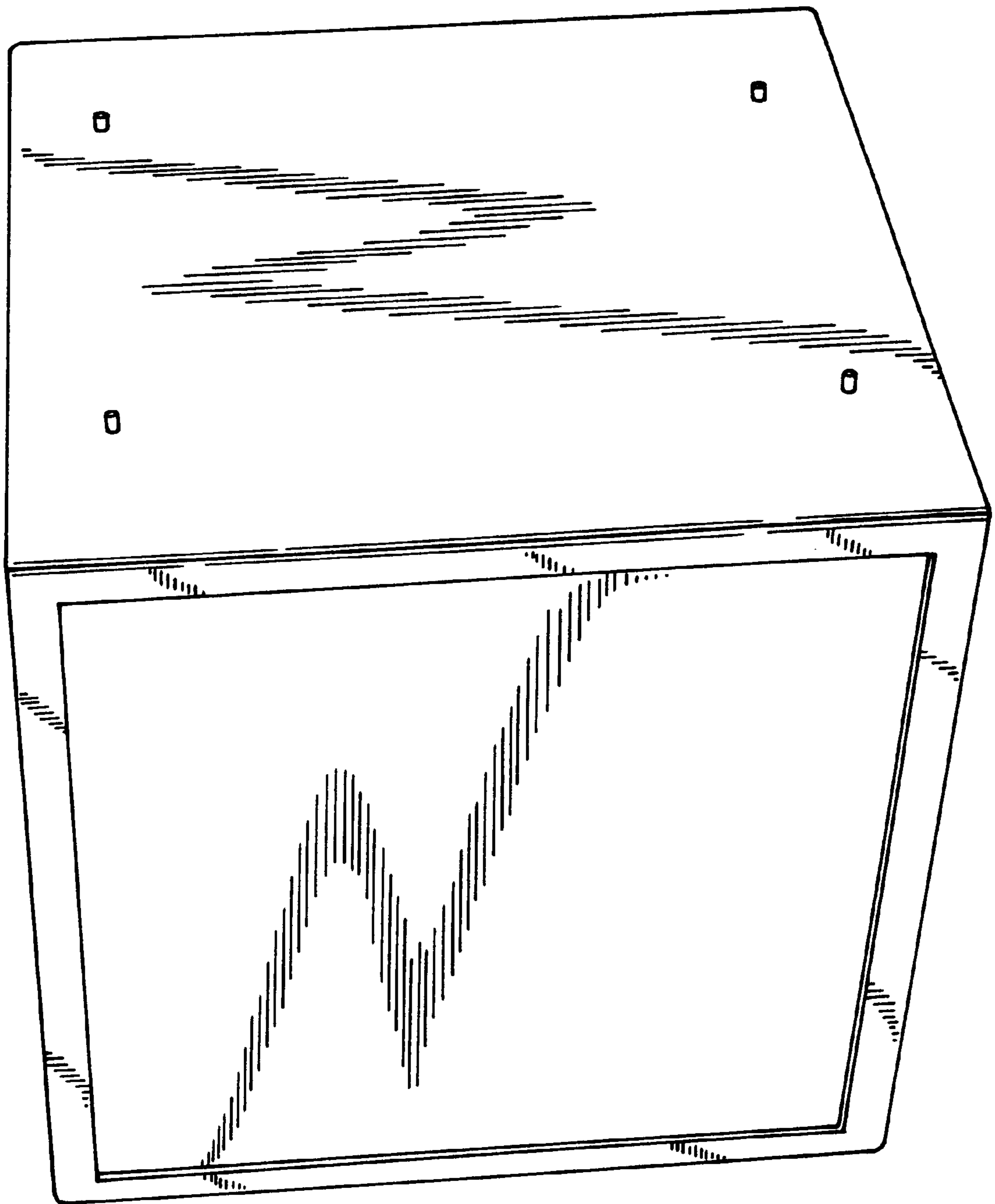


FIG. 4

