



US00D471371S

(12) **United States Design Patent**
Chiu

(10) **Patent No.:** **US D471,371 S**

(45) **Date of Patent:** **** Mar. 11, 2003**

(54) **CHAIR**

(76) Inventor: **Ciber Chiu**, No. 54-6, Chipan Lane,
Lukang Chen, Changhua Hsien (TW)

(**) Term: **14 Years**

(21) Appl. No.: **29/164,560**

(22) Filed: **Jul. 25, 2002**

(51) **LOC (7) Cl.** **06-01**

(52) **U.S. Cl.** **D6/366**

(58) **Field of Search** D6/334, 335, 358,
D6/364, 365, 366, 367, 500, 501, 502;
297/411.2, 411.27, 452.41

(56) **References Cited**

U.S. PATENT DOCUMENTS

D76,151 S	*	8/1928	Racz	D6/366
D195,770 S	*	7/1963	Isola	D6/367
D211,461 S	*	6/1968	Walkinshaw	D6/366
D267,680 S	*	1/1983	Leffler et al.	D6/366
D289,236 S	*	4/1987	Bräuning	D6/366
D383,321 S	*	9/1997	Honeycutt, Sr.	D6/358

5,690,389 A * 11/1997 Ekman et al. 297/452.41

D394,961 S * 6/1998 Fancelli D6/366

6,070,943 A * 6/2000 Guery-Strahm 297/452.41

6,390,559 B1 * 5/2002 Schnitzhofer 297/452.41

6,447,070 B1 * 9/2002 Ekman et al. 297/452.41

* cited by examiner

Primary Examiner—Gary D. Watson

(74) *Attorney, Agent, or Firm*—William E. Pelton, Esq.

(57) **CLAIM**

The ornamental design for a chair, as shown.

DESCRIPTION

FIG. 1 is a perspective view of a chair showing my new design;

FIG. 2 is a front elevational view thereof;

FIG. 3 is a rear elevational view thereof;

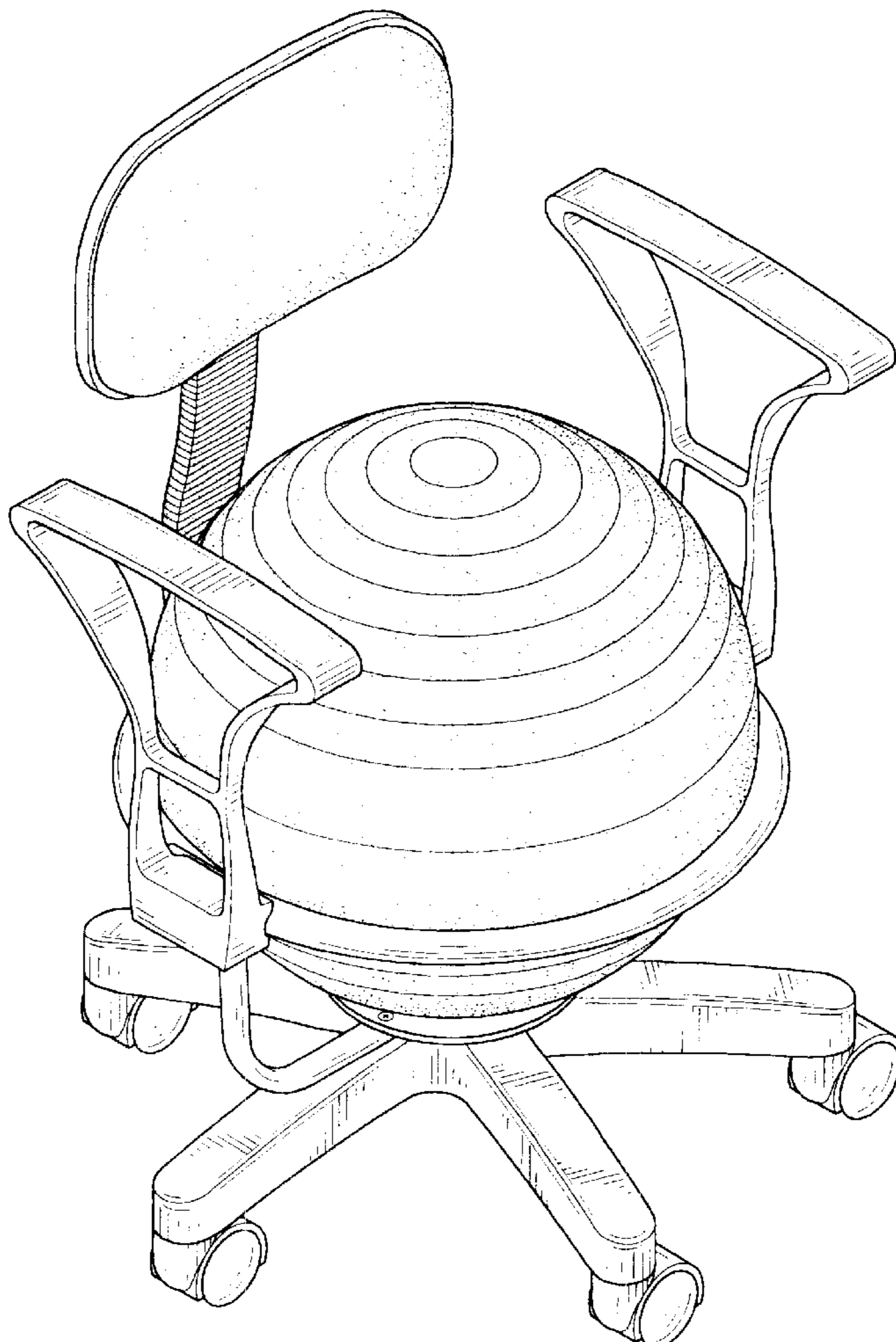
FIG. 4 is a left side view thereof;

FIG. 5 is a right side view thereof;

FIG. 6 is a top plain view thereof; and,

FIG. 7 is a bottom plain view thereof.

1 Claim, 4 Drawing Sheets



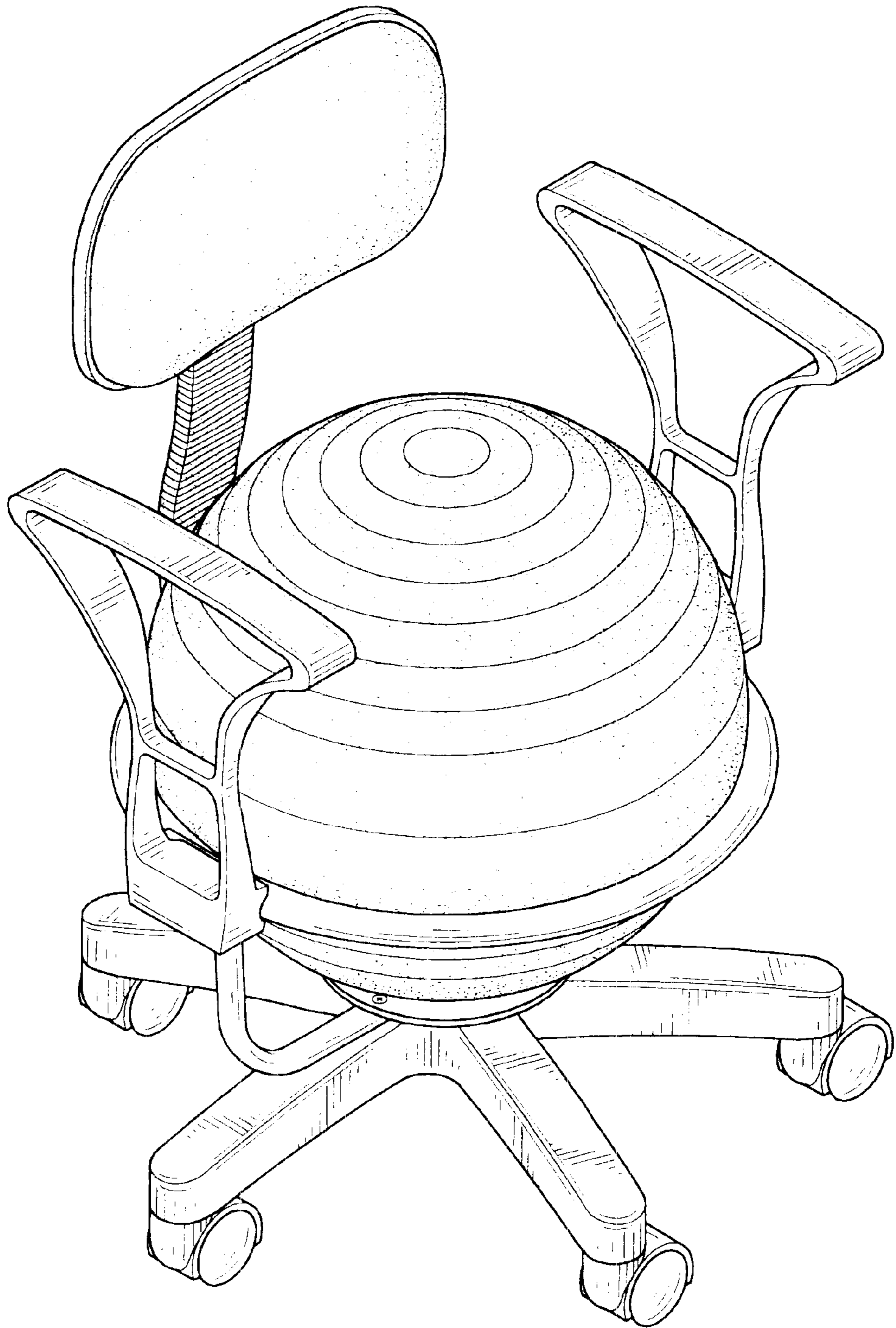


FIG. 1

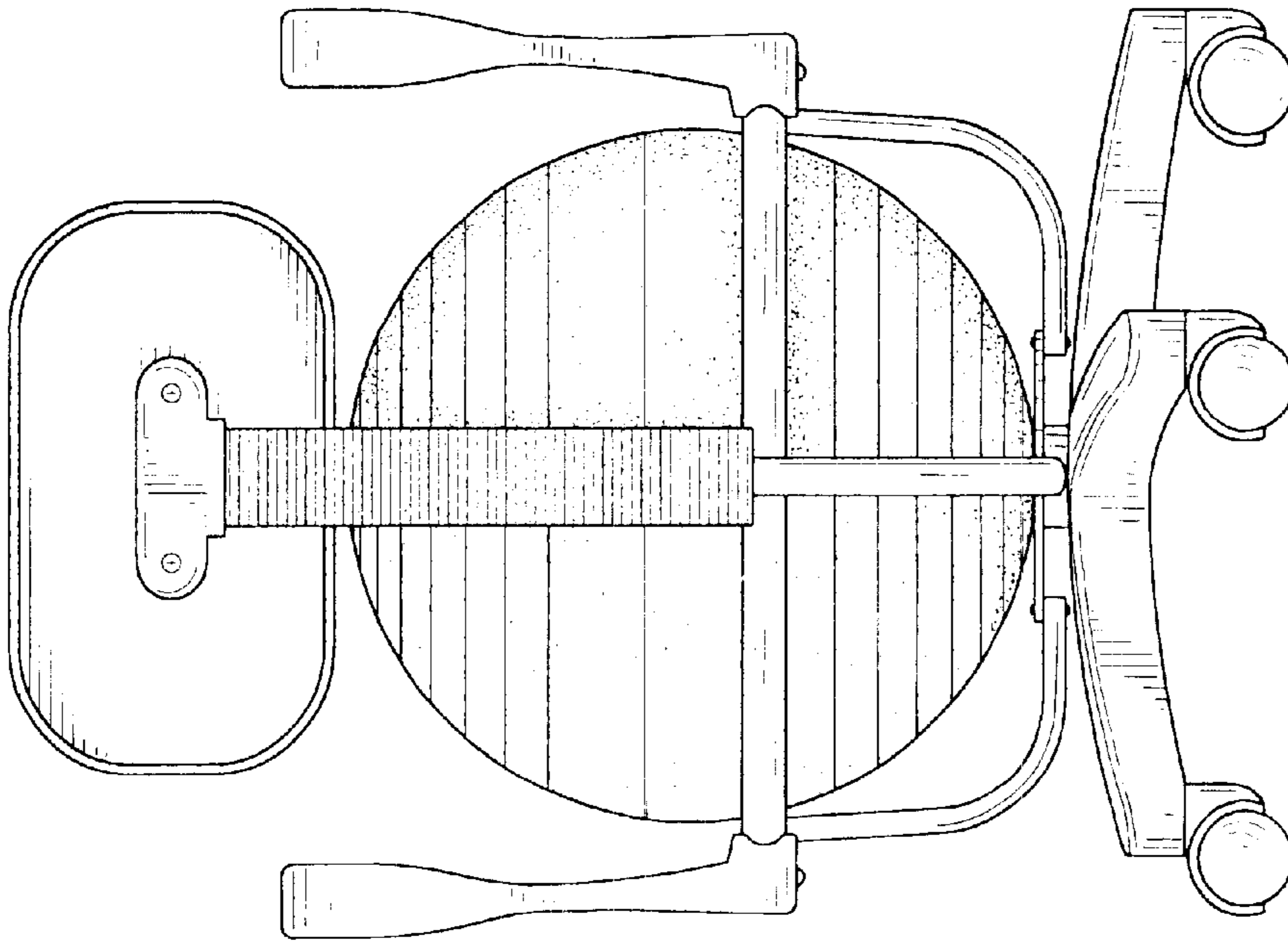


FIG.2

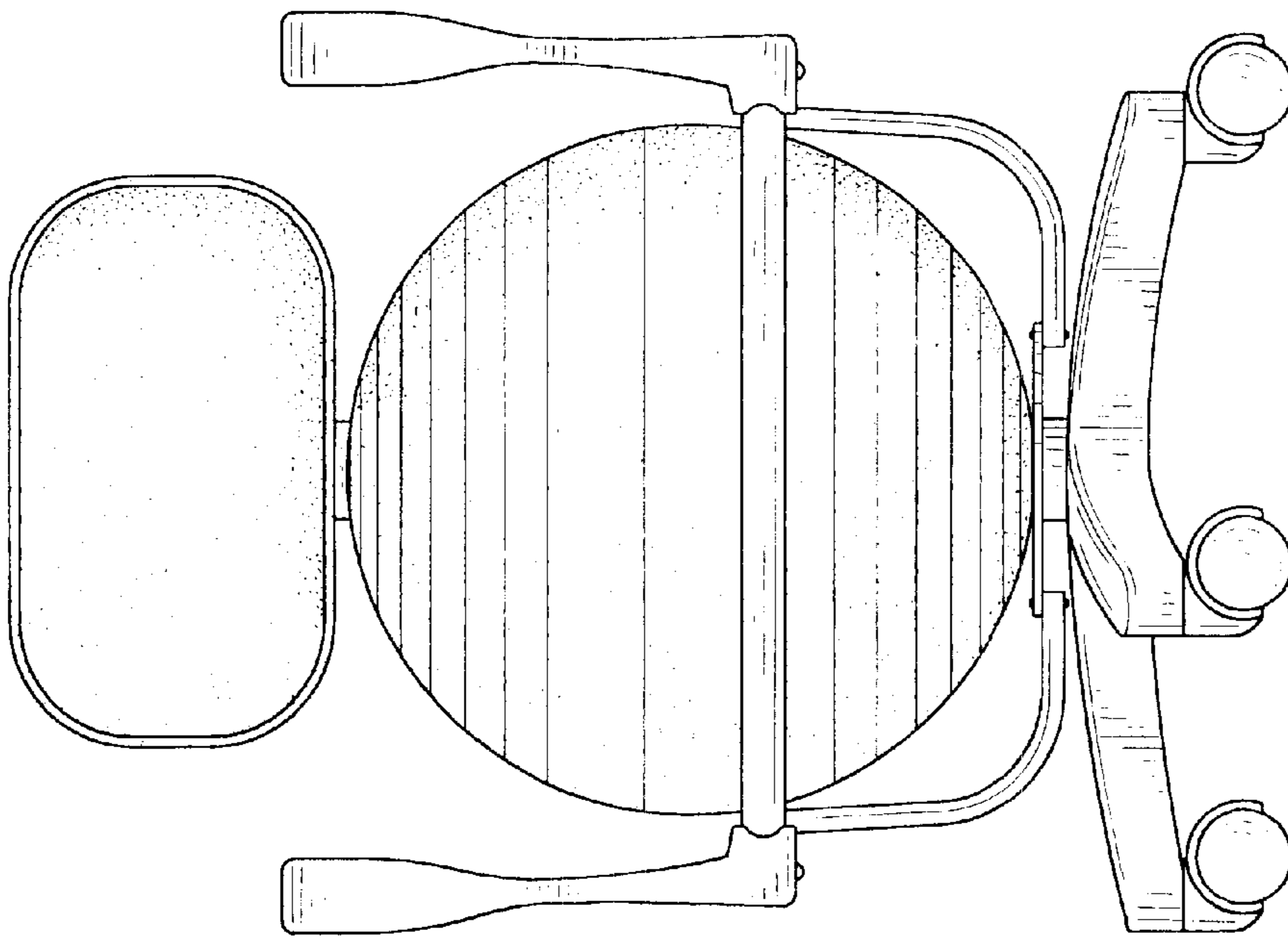


FIG.3

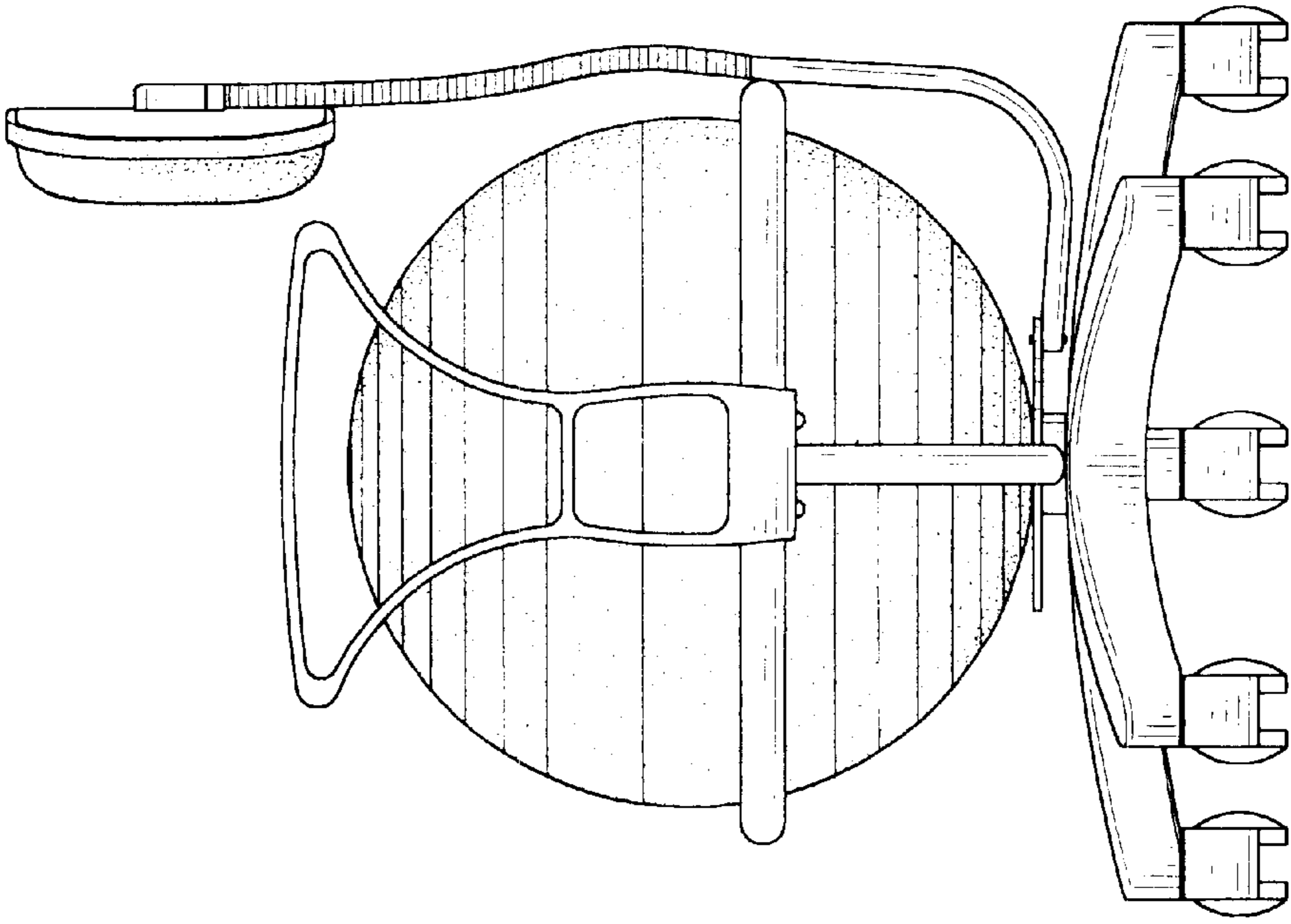


FIG.5

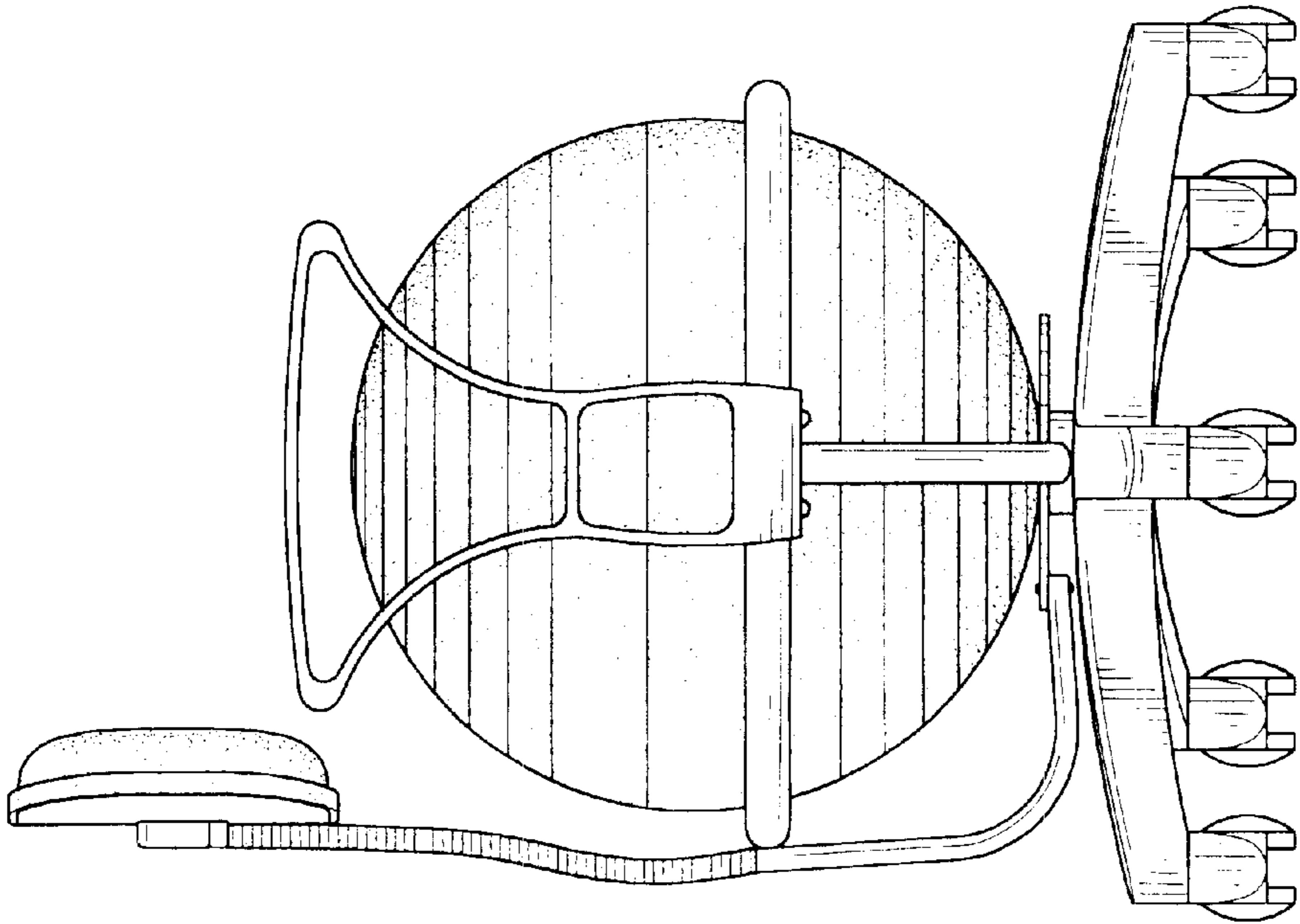


FIG.4

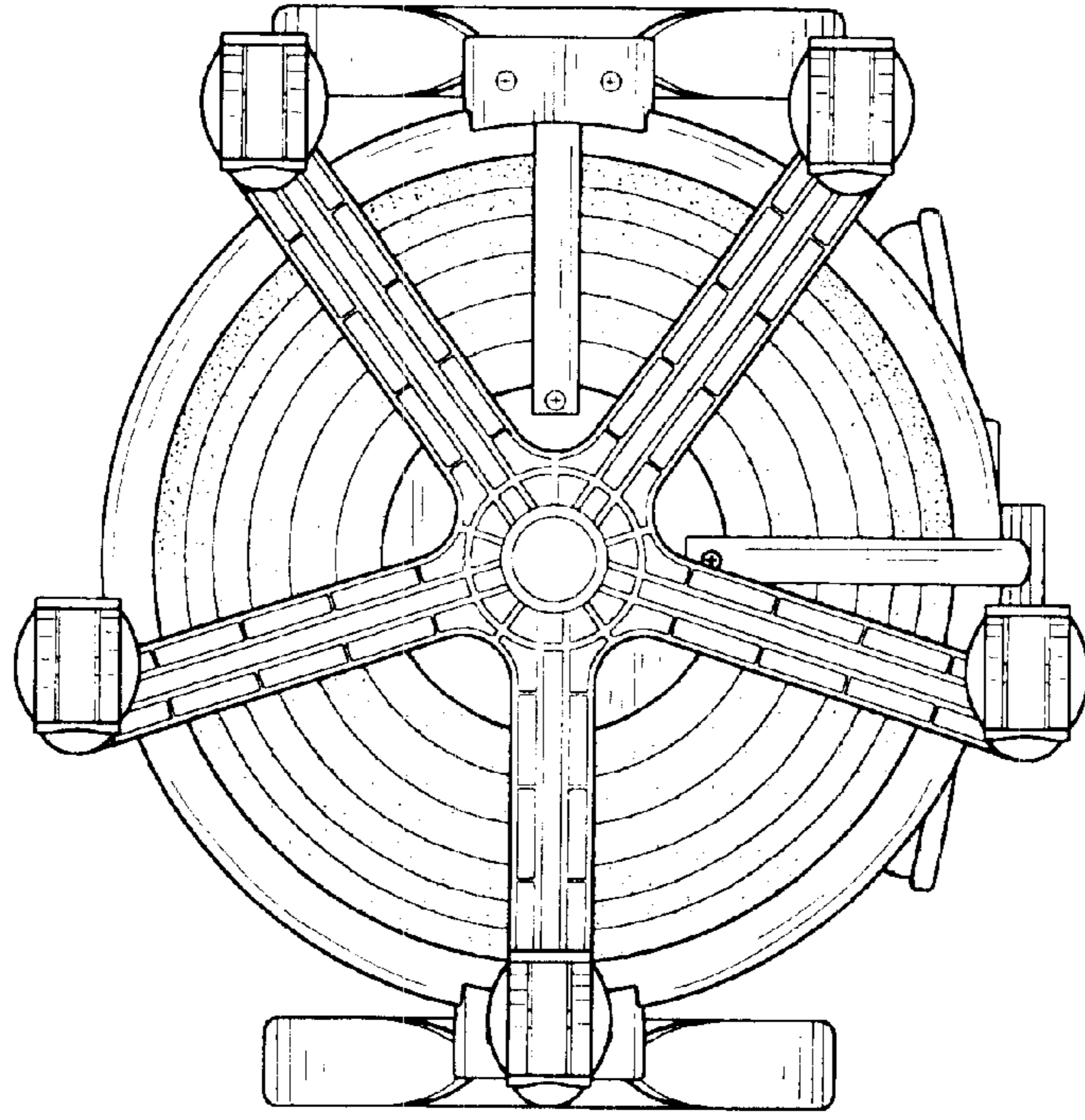


FIG.6

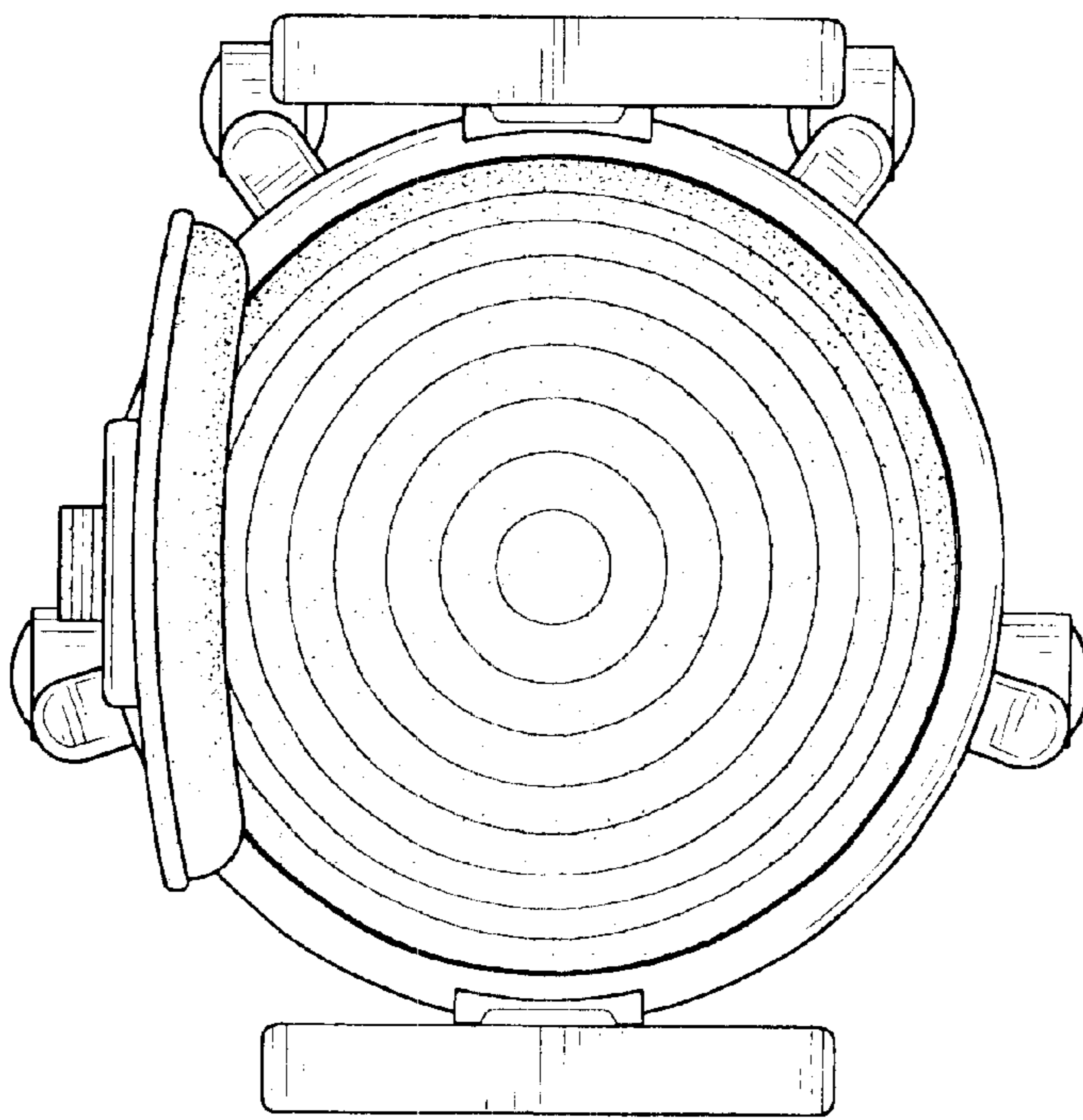


FIG.7