



US00D471370S

(12) **United States Design Patent**
Schmitz et al.

(10) **Patent No.:** **US D471,370 S**
(45) **Date of Patent:** **** Mar. 11, 2003**

(54) **TASK CHAIR**

(75) Inventors: **Burkhard Schmitz**, Berlin (DE);
Claudia Plikat, Berlin (DE); **Nicolai**
Neubert, Berlin (DE); **Carola E. M.**
Zwick, Berlin (DE); **Roland R. O.**
Zwick, Berlin (DE)

(73) Assignee: **Herman Miller, Inc.**, Zeeland, MI (US)

(**) Term: **14 Years**

(21) Appl. No.: **29/155,591**

(22) Filed: **Feb. 13, 2002**

(51) **LOC (7) Cl.** **06-01**

(52) **U.S. Cl.** **D6/366**

(58) **Field of Search** D6/334, 364, 365,
D6/366, 367, 500, 501, 502; 297/411.2,
411.27, 411.36, 452.46

(56) **References Cited**

U.S. PATENT DOCUMENTS

D201,355 S	6/1965	Cavalli	
D273,728 S	* 5/1984	Cafiers	D6/366
4,556,254 A	12/1985	Roberts	
4,722,569 A	2/1988	Morgenstern et al.	
4,915,448 A	4/1990	Morgenstern et al.	
D346,279 S	* 4/1994	Stumpf et al.	D6/366
D355,534 S	2/1995	Saotome	
5,486,035 A	1/1996	Koepke et al.	
5,685,606 A	11/1997	Lance	
5,797,652 A	8/1998	Darbyshire	
5,860,700 A	1/1999	Lance	
5,871,256 A	2/1999	Kogai	
5,904,400 A	5/1999	Wei	
5,975,632 A	11/1999	Ginat	
D417,792 S	* 12/1999	Hansen et al.	D6/366
D423,259 S	* 4/2000	Grove	D6/500
D424,824 S	5/2000	Chu	
6,062,649 A	5/2000	Nagel et al.	
6,099,076 A	8/2000	Nagel et al.	
D431,400 S	* 10/2000	Grove	D6/500
D434,918 S	12/2000	Arko et al.	

6,179,384 B1	1/2001	DeKraker et al.	
D437,701 S	2/2001	Bellini et al.	
6,189,971 B1	2/2001	Witzig	
D440,419 S	* 4/2001	Röder	D6/366
D442,791 S	5/2001	Simons, Jr. et al.	
D444,309 S	7/2001	Nagamitsu	
D444,955 S	7/2001	Su	
6,254,186 B1	7/2001	Falzon	
D449,174 S	* 10/2001	Neil	D6/366
D451,293 S	* 12/2001	Su	D6/366
D453,079 S	* 1/2002	Ma	D6/366
D456,626 S	* 5/2002	Su	D6/366
D456,650 S	* 5/2002	Ball et al.	D6/502
D461,323 S	* 8/2002	Su	D6/366

FOREIGN PATENT DOCUMENTS

WO	WO 93/25121	12/1993
WO	WO 00/22961	4/2000

OTHER PUBLICATIONS

Copy of patent application Ser. No. 29/155,591 for "Task Chair" by Schmitz et al., filed Feb. 13, 2002.

(List continued on next page.)

Primary Examiner—Gary D. Watson

(74) *Attorney, Agent, or Firm*—Brinks Hofer Gilson & Lione

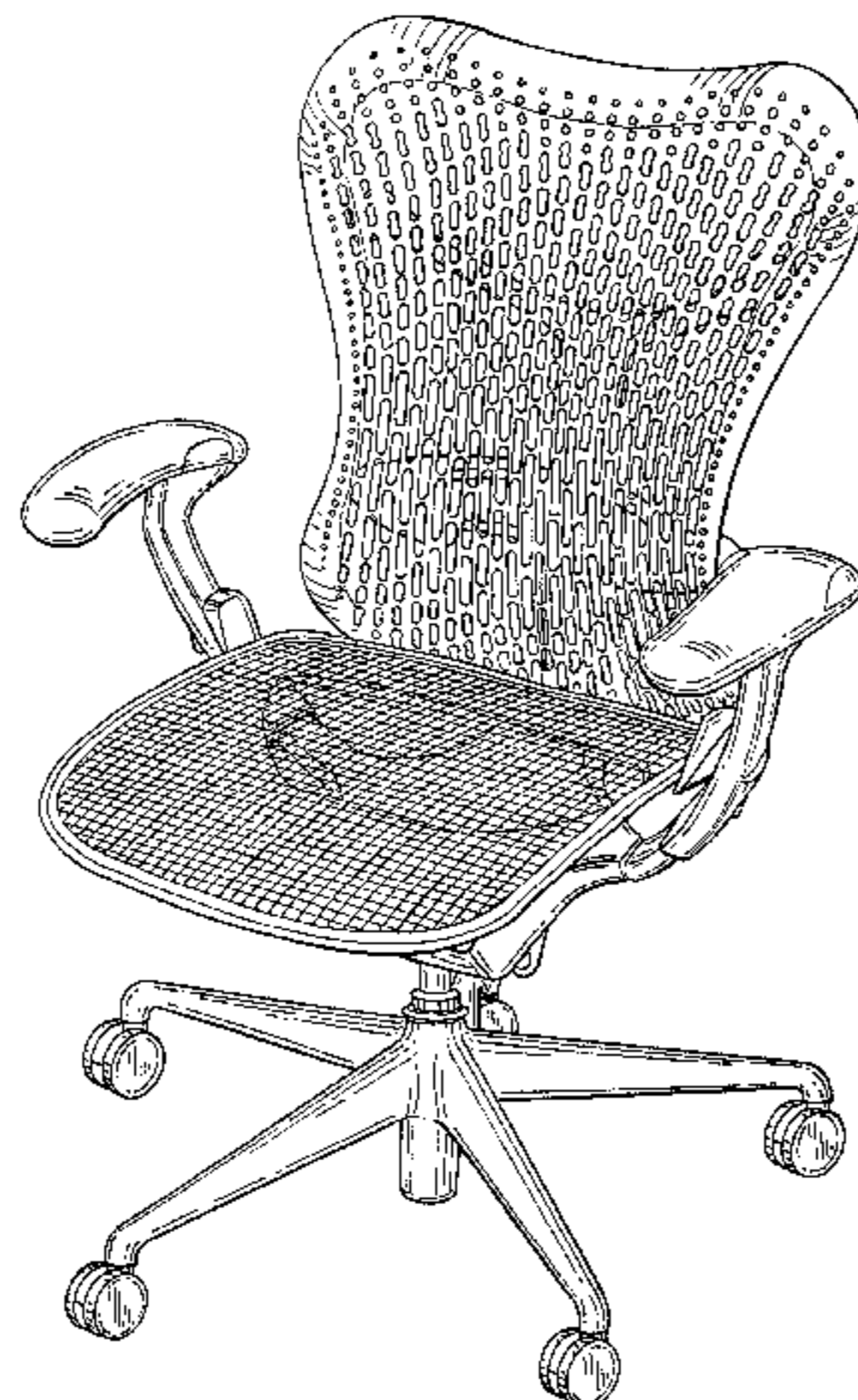
(57) **CLAIM**

The ornamental design for a task chair, as shown and described.

DESCRIPTION

FIG. 1 is a perspective view of a task chair;
FIG. 2 is a right side view of the task chair shown in FIG. 1;
FIG. 3 is a front view of the task chair shown in FIG. 1;
FIG. 4 is a left side view of the task chair shown in FIG. 1;
FIG. 5 is a rear view of the task chair shown in FIG. 1;
FIG. 6 is a top view of the task chair shown in FIG. 1; and,
FIG. 7 is a bottom view of the task chair shown in FIG. 1.

1 Claim, 4 Drawing Sheets



OTHER PUBLICATIONS

Digital image of "Ypsilon" by Vitra, date unknown.
Digital image of "Project 2000" by Sitag, date unknown.
Digital image of "Fluid" by allseating, date unknown.
Digital image of "HAG H05" by HAG, date unknown.
Digital image of "Konca" by Kastel, date unknown.
Digital image of "Vigor"/ Topdeq, date unknown.
Digital image of "NetWeb"/Topdeq, date unknown.
Digital image of "Lucy" by Vecta, date unknown.
Digital image of "Open up"/Cairo, date unknown.

Digital image of "IB Office" Seating by Bieffe, date unknown.

Digital image of "Freedom" by Humanscale, date unknown.

Digital image of "Cordo" by Klöber, date unknown.

Digital images of "Please" by Steelcase, date unknown.

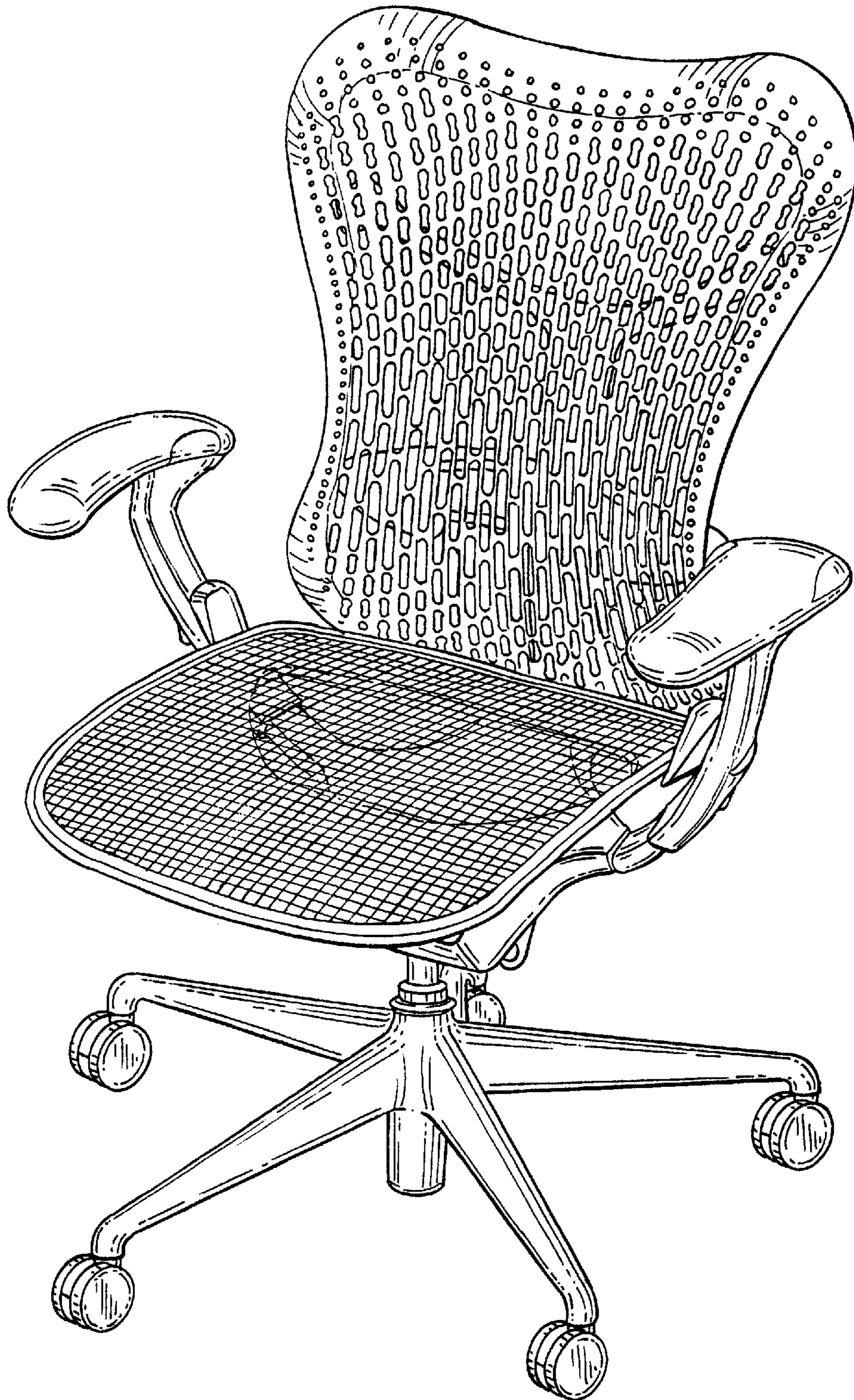
"X99 Haworth®" brochure, date unknown.

"Ypsilon vitra." brochure, date unknown.

Izzydesign "Maxwell" brochure, date unknown.

* cited by examiner

FIG. 1



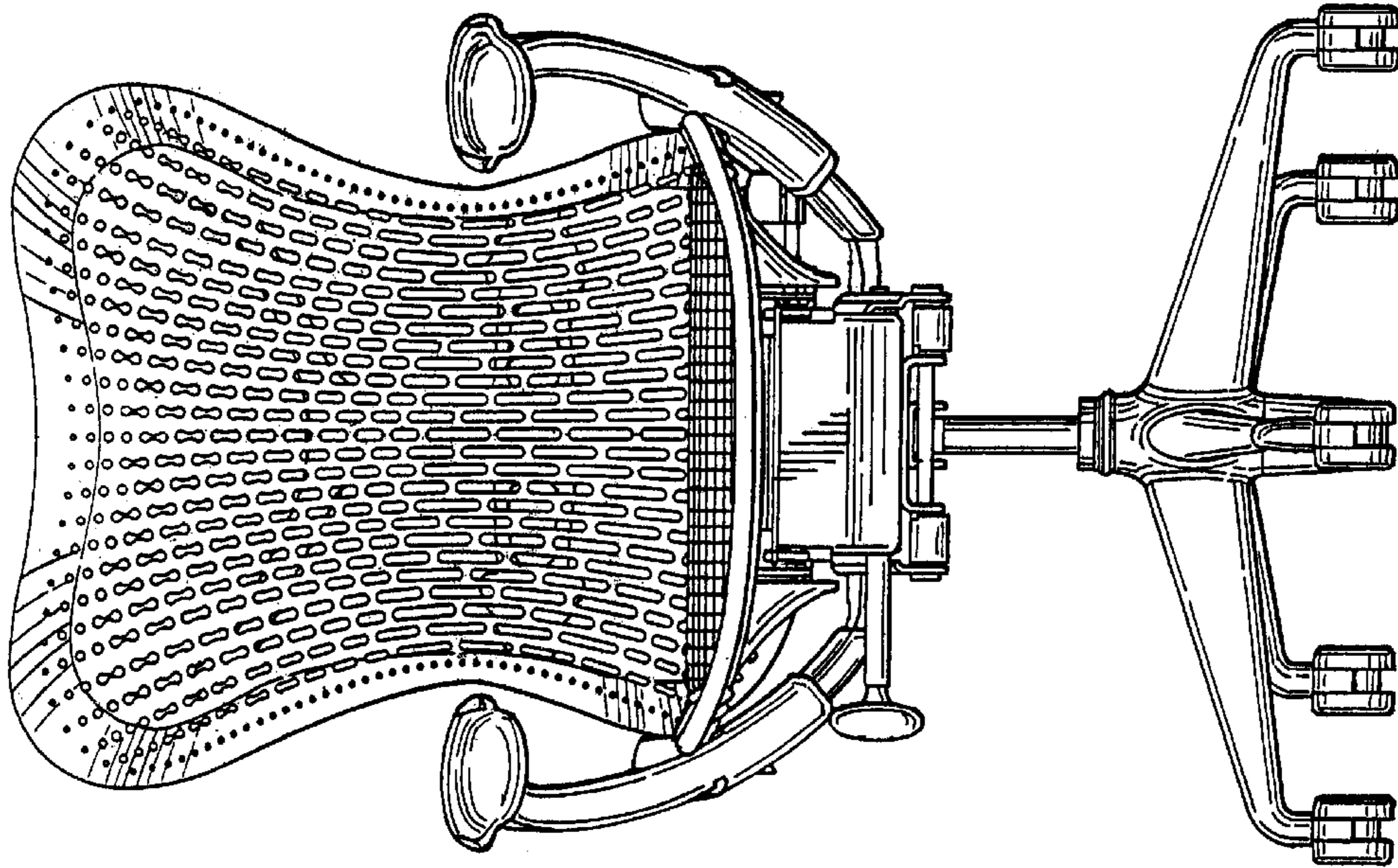


FIG.3

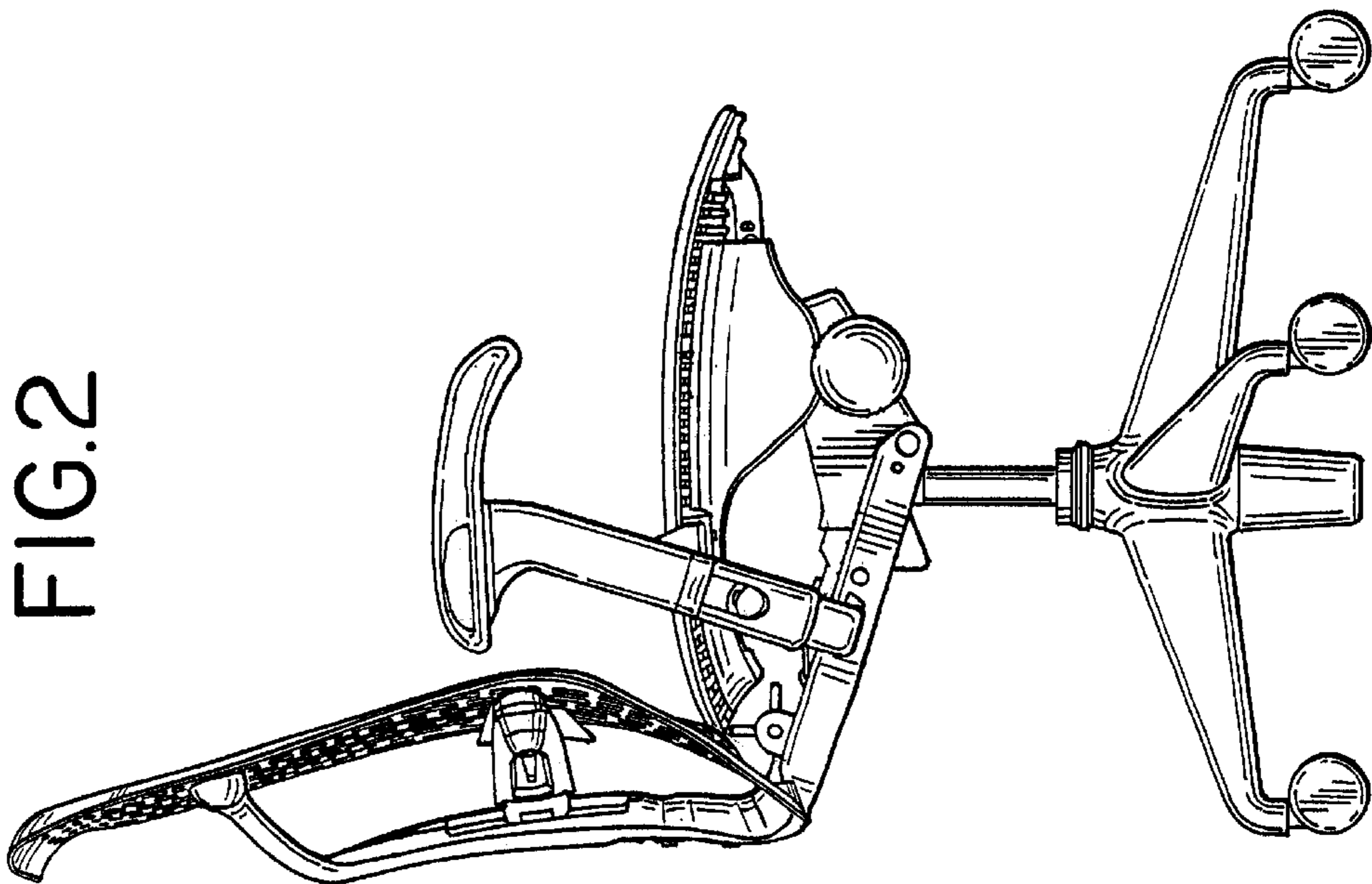


FIG.2

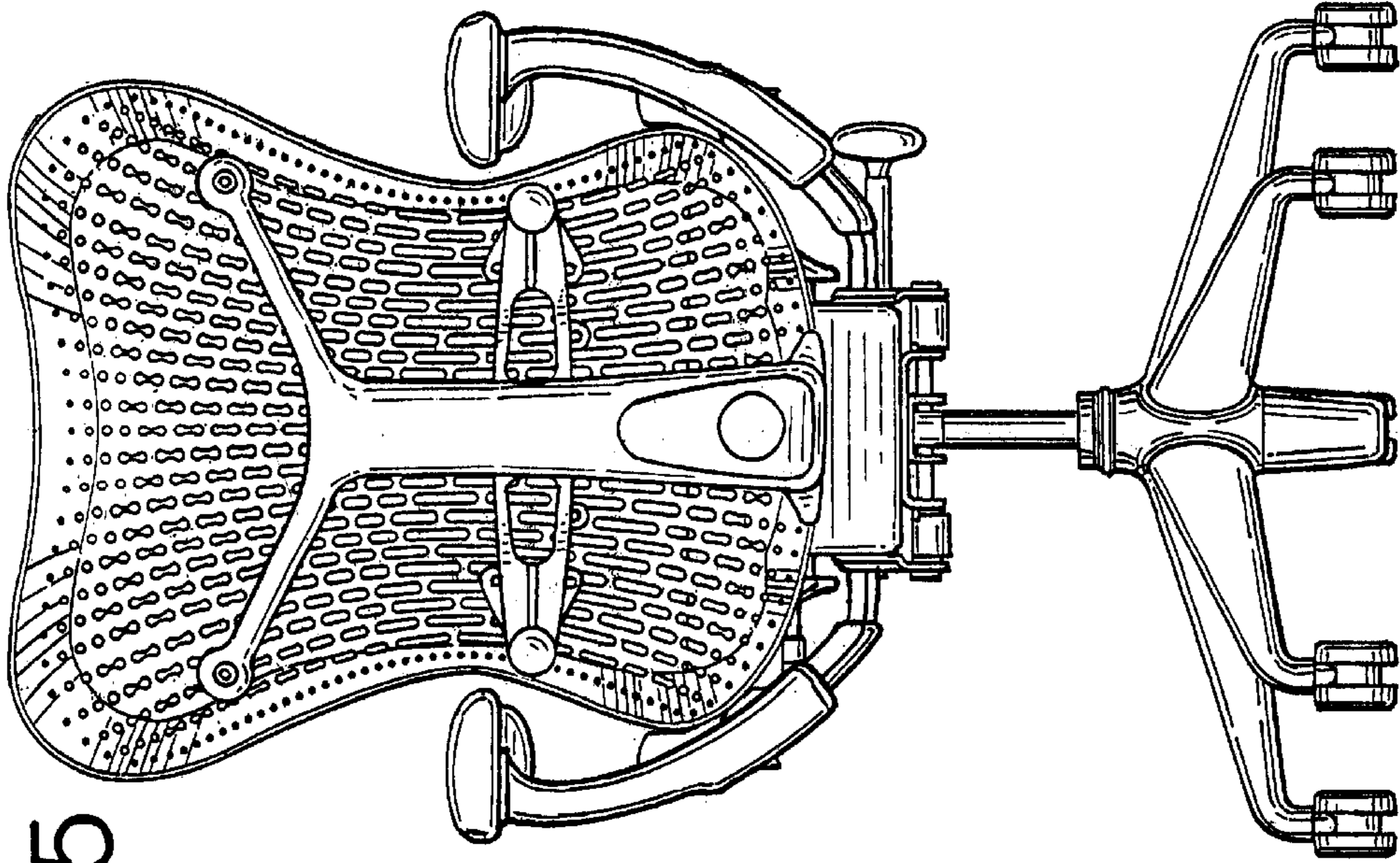


FIG.5

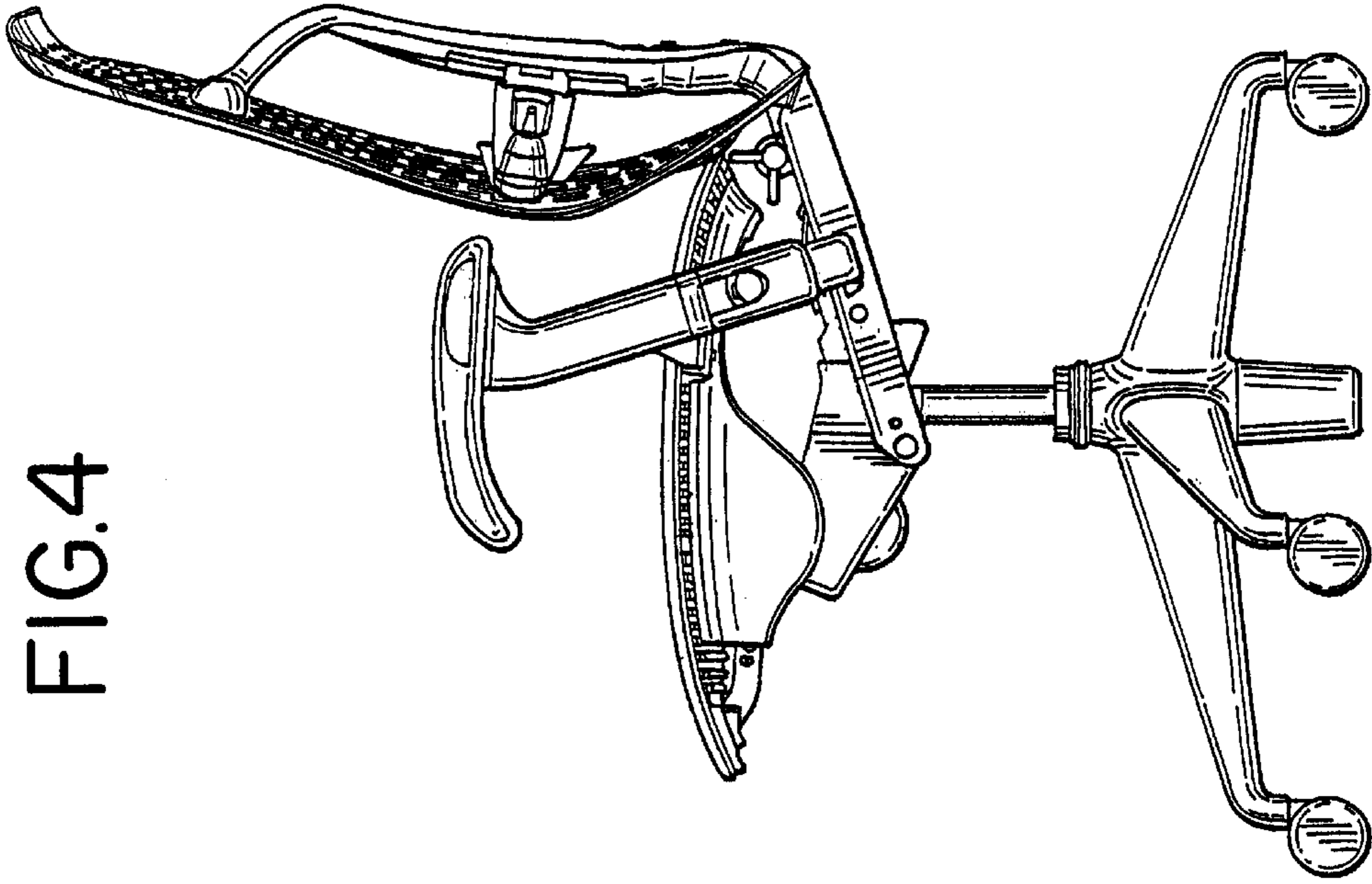


FIG.4

FIG. 6

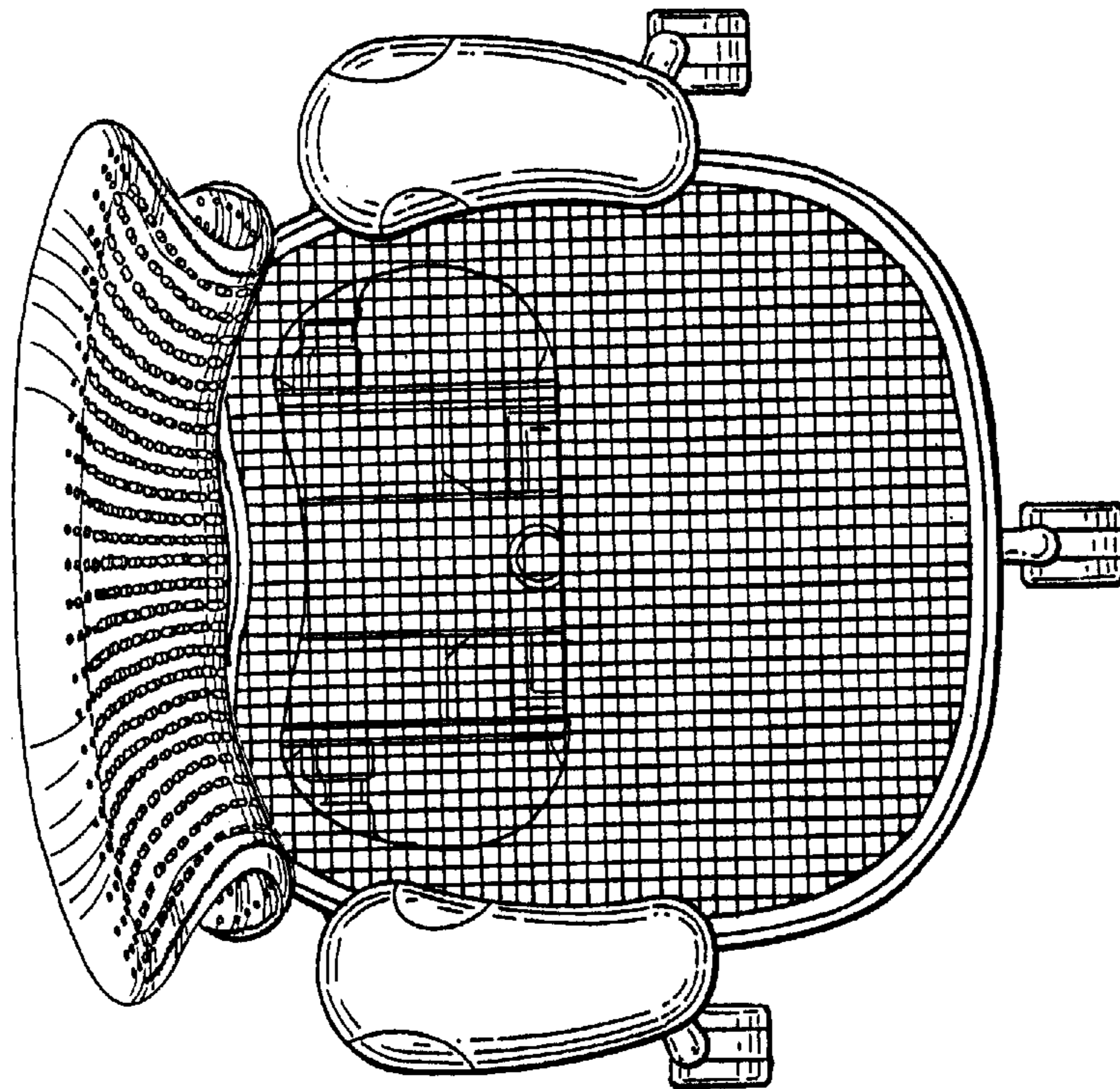


FIG. 7

