



US00D471368S

(12) **United States Design Patent**
Arnold et al.

(10) **Patent No.:** **US D471,368 S**
(45) **Date of Patent:** **** Mar. 11, 2003**

(54) **BENCH**

(75) Inventors: **E. Paul Arnold**, Grove City, PA (US);
Arthur C. Slear, Butler, PA (US)

(73) Assignee: **Keystone Ridge Designs, Inc.**, Butler,
PA (US)

(**) Term: **14 Years**

(21) Appl. No.: **29/163,501**

(22) Filed: **Jul. 3, 2002**

(51) **LOC (7) Cl.** **06-01**

(52) **U.S. Cl.** **D6/349**

(58) **Field of Search** D6/480-489, 355,
D6/349, 352, 353; 108/153.1, 155, 156,
161; 248/188, 188.1, 188.7, 188.8; 297/461,
462, 232, 233, 248

(56) **References Cited**

U.S. PATENT DOCUMENTS

D285,151 S	*	8/1986	Molinari	D6/381
D325,139 S	*	4/1992	Jeghers	D6/484
D344,857 S	*	3/1994	Kinsman	D6/349
D359,639 S	*	6/1995	Noll	D6/487

OTHER PUBLICATIONS

Arnold, pending U.S. patent application Ser. No. 10/161,374
filed Jun. 3, 2002, entitled "Bench Having Diamond Plate
Seat, Diamond Plate Back, And I-Beam Legs".

Kay Park Recreation p. 30, 2002 Catalog.

Wabash Valley, p. 44, 2001 Catalog.

Upbeat Inc., p. 59, Nov. 2001 Catalog.

* cited by examiner

Primary Examiner—Janice E. Seeger

(74) *Attorney, Agent, or Firm*—Heslin Rothenberg Farley
& Mesiti P.C.

(57) **CLAIM**

The ornamental design for the bench, as shown and
described.

DESCRIPTION

FIG. 1 is a perspective view of the bench comprising the new
design;

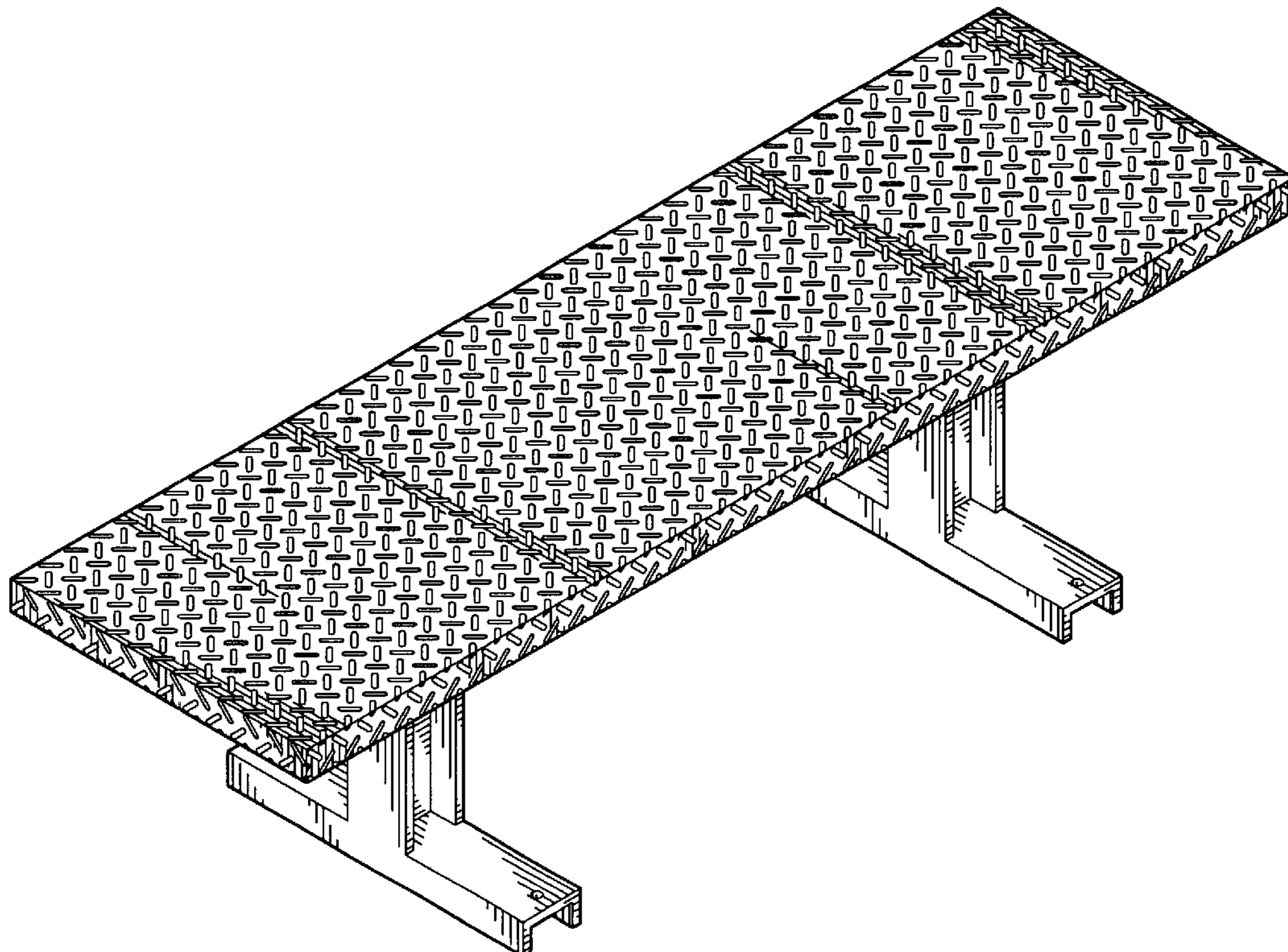
FIG. 2 is a top view thereof;

FIG. 3 is a front elevational view thereof, where the rear
elevational view is a mirror image thereof;

FIG. 4 is a left side elevational view thereof, where the right
side is a mirror image thereof; and,

FIG. 5 is a perspective view of a second embodiment of the
bench, portions of which are cut away to illustrate indeter-
minate length which is the sole difference between it and
FIGS. 1 through 4.

1 Claim, 4 Drawing Sheets



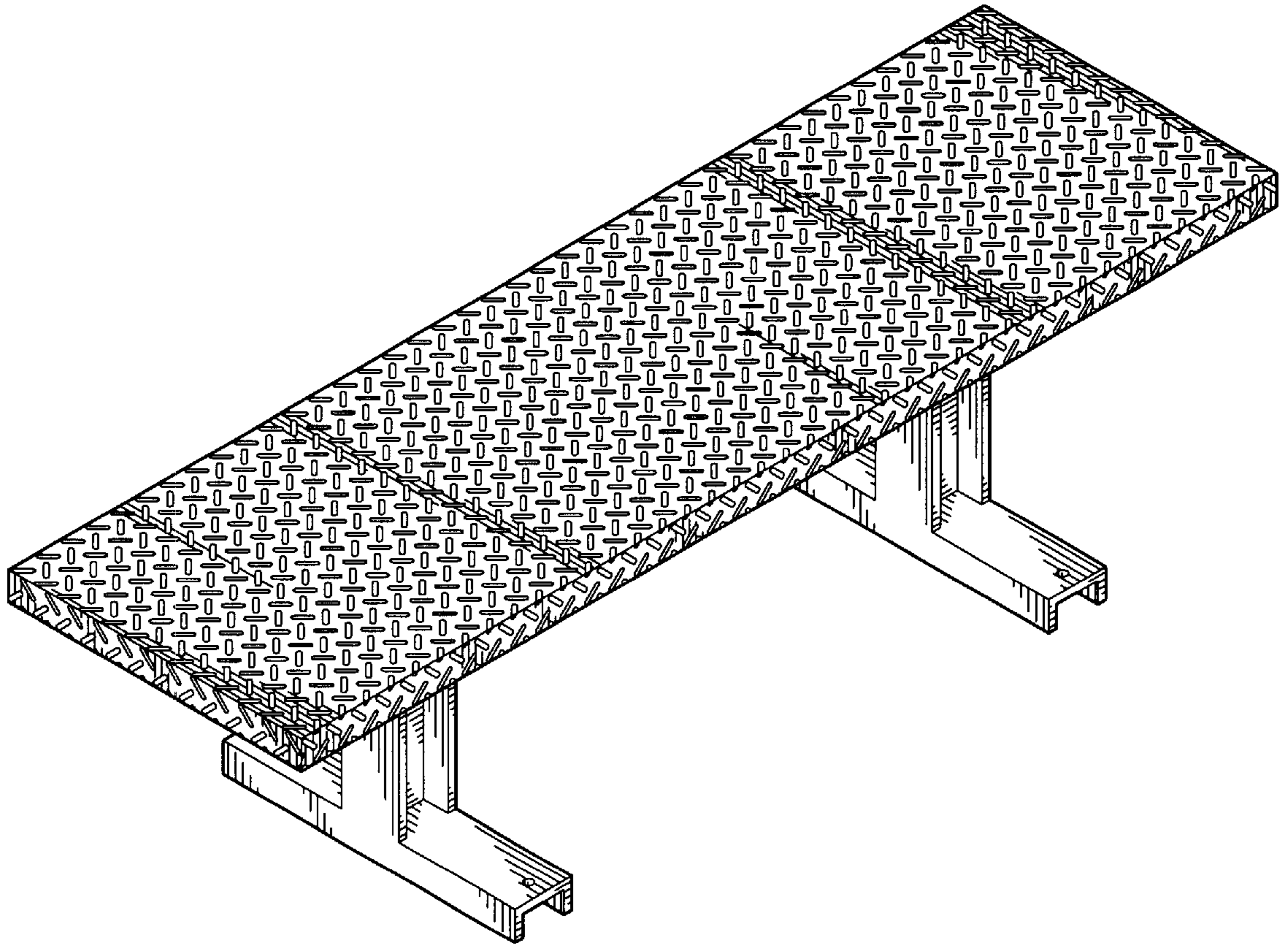


FIG. 1

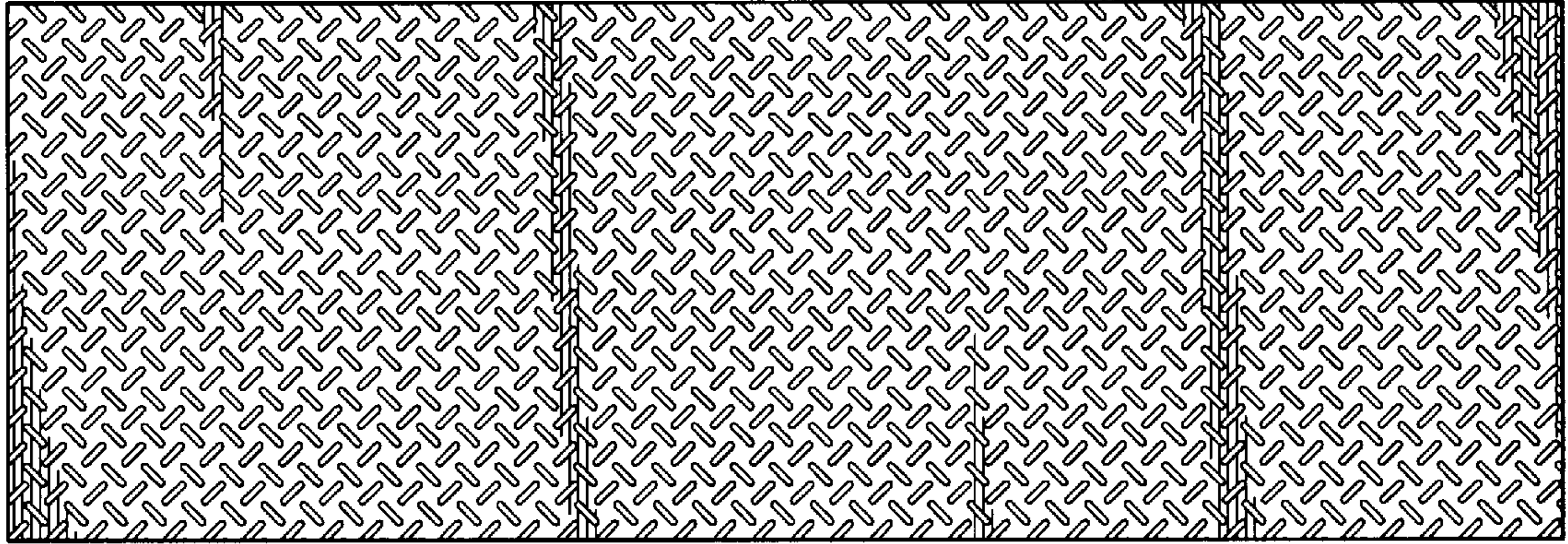


FIG. 2



FIG. 3

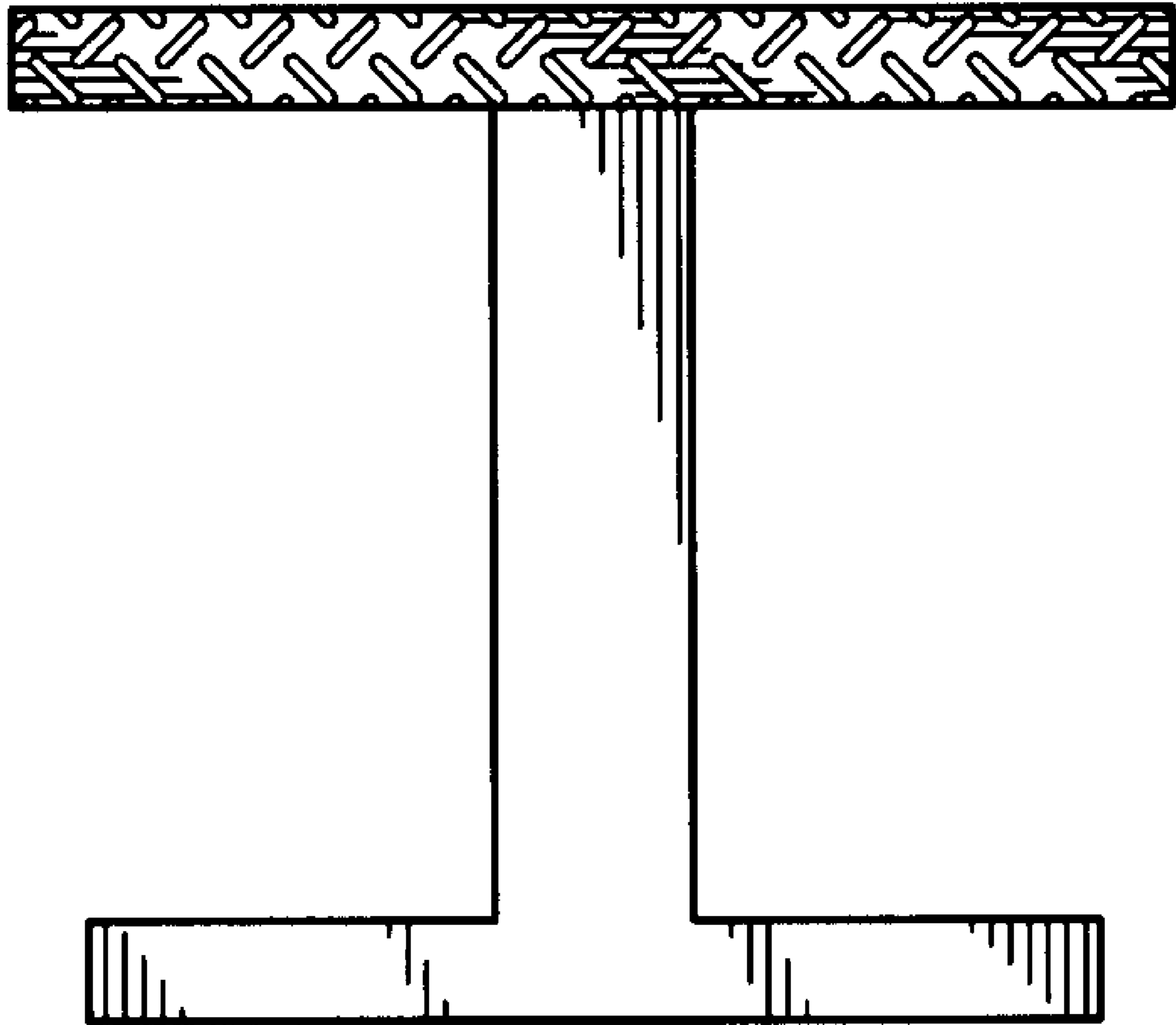


FIG. 4

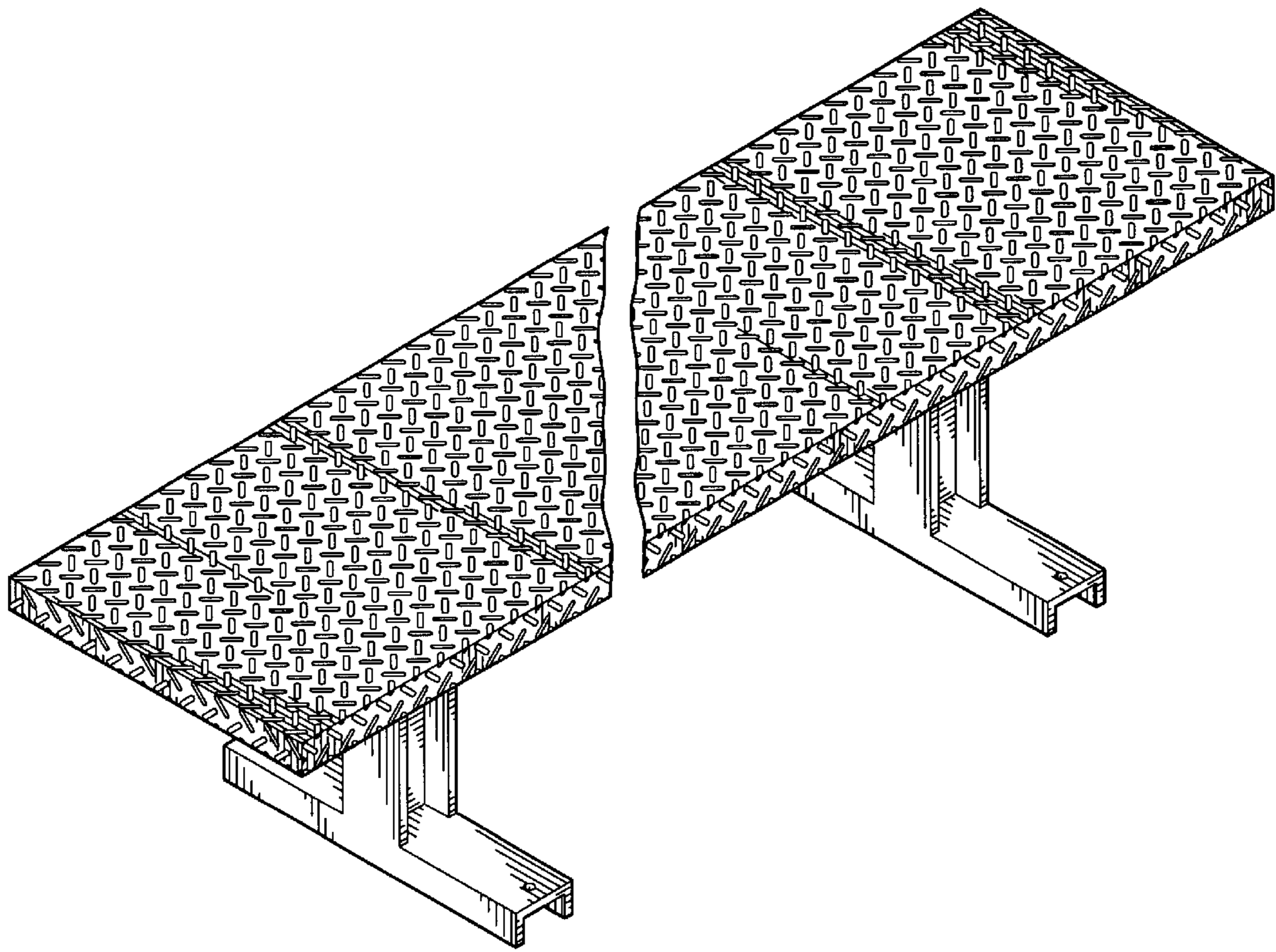


FIG. 5