



US00D471367S

(12) **United States Design Patent**
Laguelle

(10) **Patent No.:** **US D471,367 S**

(45) **Date of Patent:** **** Mar. 11, 2003**

(54) **SKIRT HANGER**

(75) Inventor: **Jean-Claude Laguelle**, Cosne d'Allier (FR)

(73) Assignee: **ETS Laguelle S.A.** (FR)

(**) Term: **14 Years**

(21) Appl. No.: **29/156,317**

(22) Filed: **Feb. 28, 2002**

(30) **Foreign Application Priority Data**

Aug. 29, 2001 (XH) DM/057 303

(51) **LOC (7) Cl.** **06-08**

(52) **U.S. Cl.** **D6/326**

(58) **Field of Search** D6/315, 317, 319,
D6/326, 513; 211/113, 119, 85.3; 223/85,
88, 91, 96, 87, DIG. 1

(56) **References Cited**

U.S. PATENT DOCUMENTS

- 2,496,238 A * 1/1950 Ullrich 223/96
- 2,662,675 A * 12/1953 Walker 223/96
- D260,218 S * 8/1981 Bisk D6/317

- D279,527 S * 7/1985 Peterson D6/326
- 5,097,996 A * 3/1992 Chen 223/91
- D334,846 S * 4/1993 Blanchard D6/317
- D442,372 S * 5/2001 Ling et al. D6/326

* cited by examiner

Primary Examiner—B. J. Bullock

(74) *Attorney, Agent, or Firm*—Parkhurst & Wendel, L.L.P.

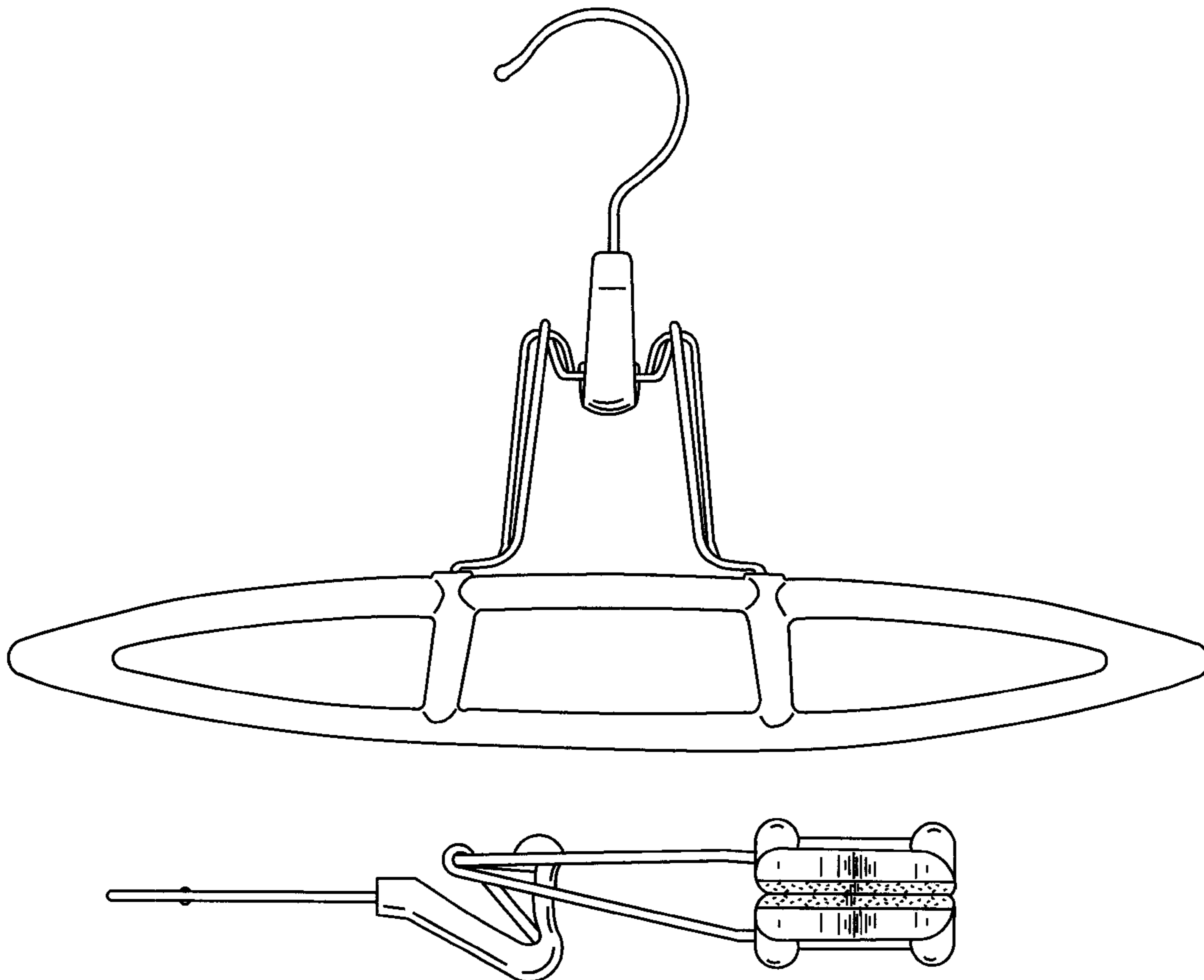
(57) **CLAIM**

The ornamental design for a skirt hanger, as shown and described.

DESCRIPTION

FIG. 1 is a front view of a skirt hanger embodying the design of the present invention;
 FIG. 2 is a back view of the skirt hanger of FIG. 1;
 FIG. 3 is a left end view of the skirt hanger of FIG. 1;
 FIG. 4 is a right end view of the skirt hanger of FIG. 1;
 FIG. 5 is a top view of the skirt hanger of FIG. 1;
 FIG. 6 is a bottom view of the skirt hanger of FIG. 1;
 FIG. 7 is an outside view of the skirt hanger of FIG. 1 in an open position, showing again both front and back sides; and,
 FIG. 8 is an inside view of the skirt hanger of FIG. 1 in an open position.

1 Claim, 6 Drawing Sheets



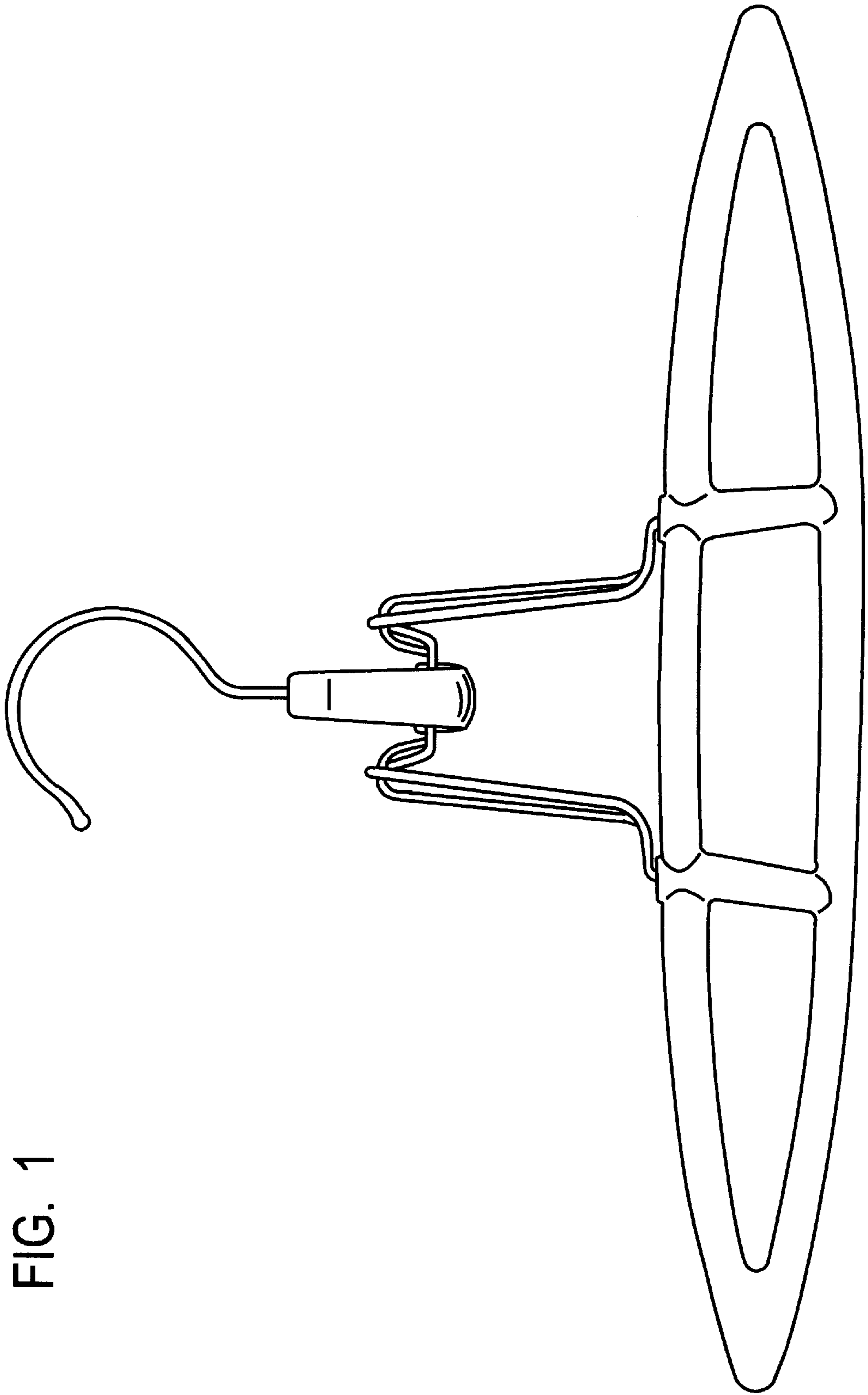


FIG. 1

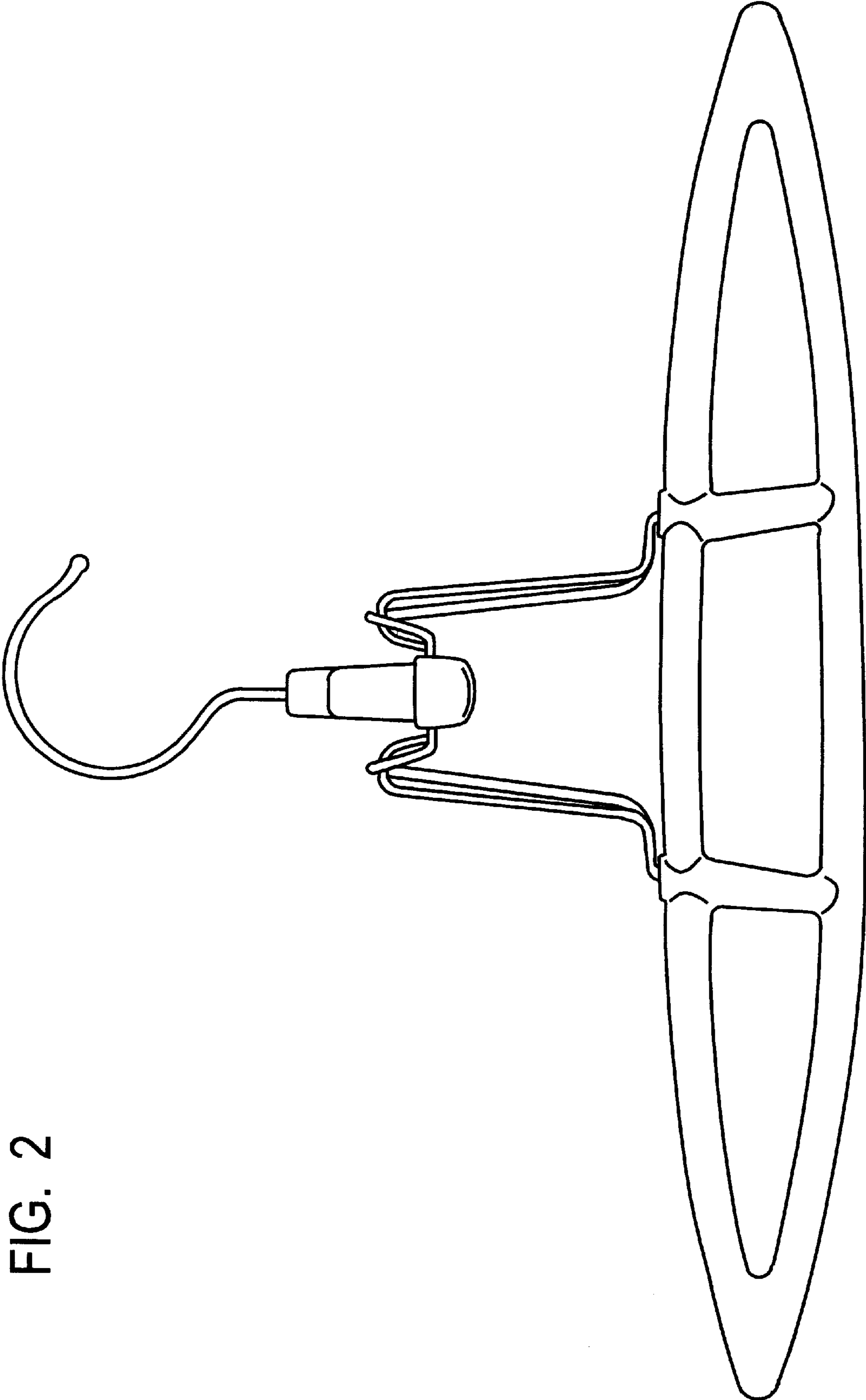


FIG. 2

FIG. 3

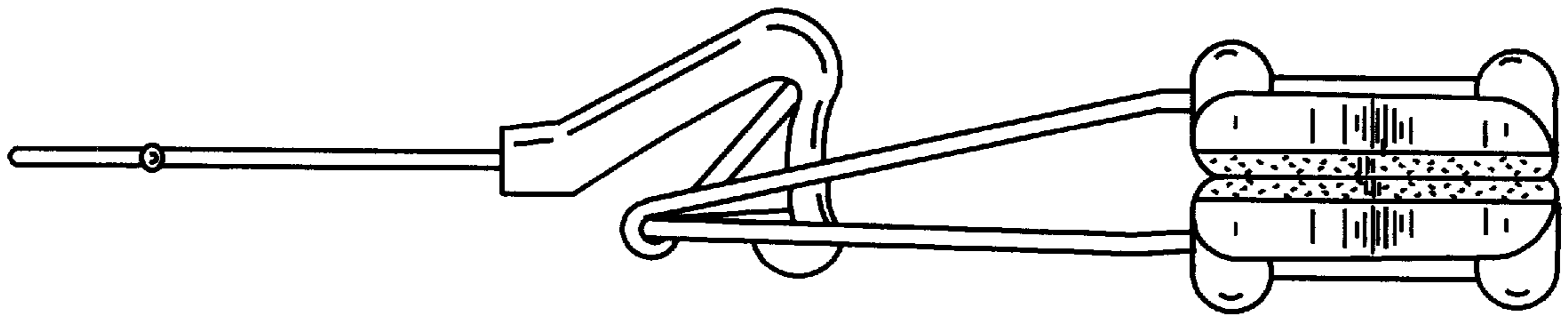


FIG. 4

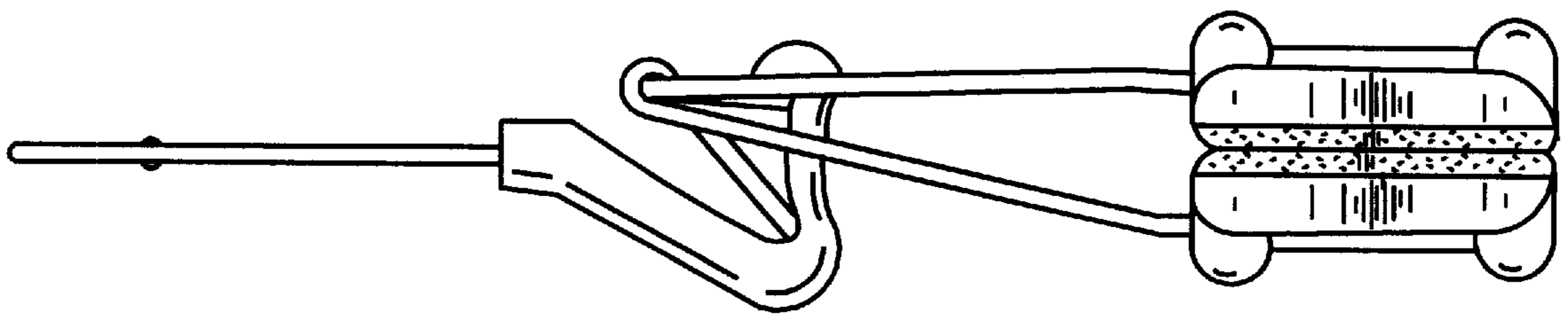


FIG. 5

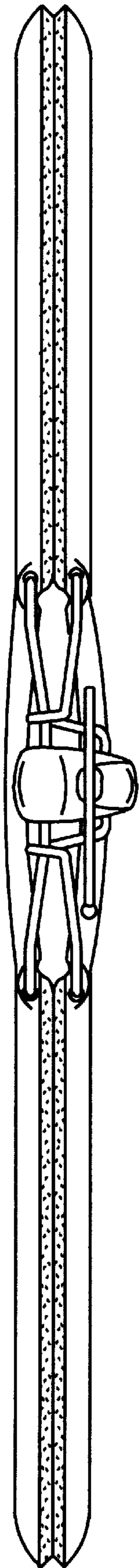


FIG. 6

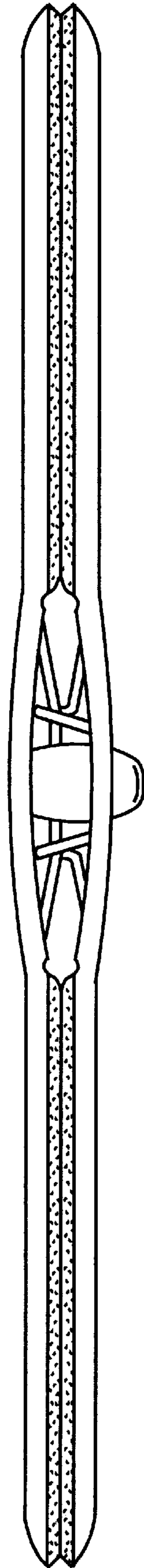
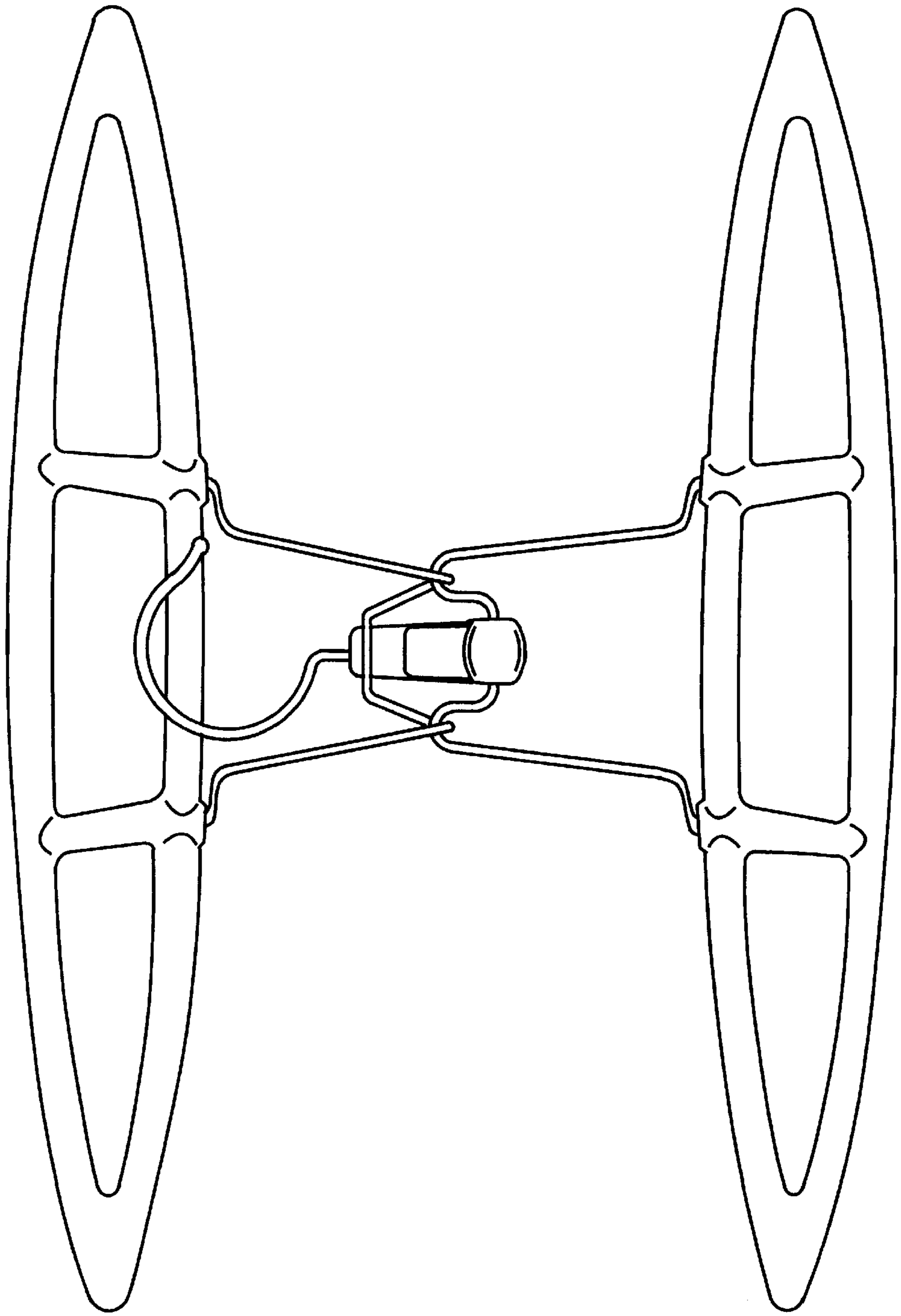


FIG. 7



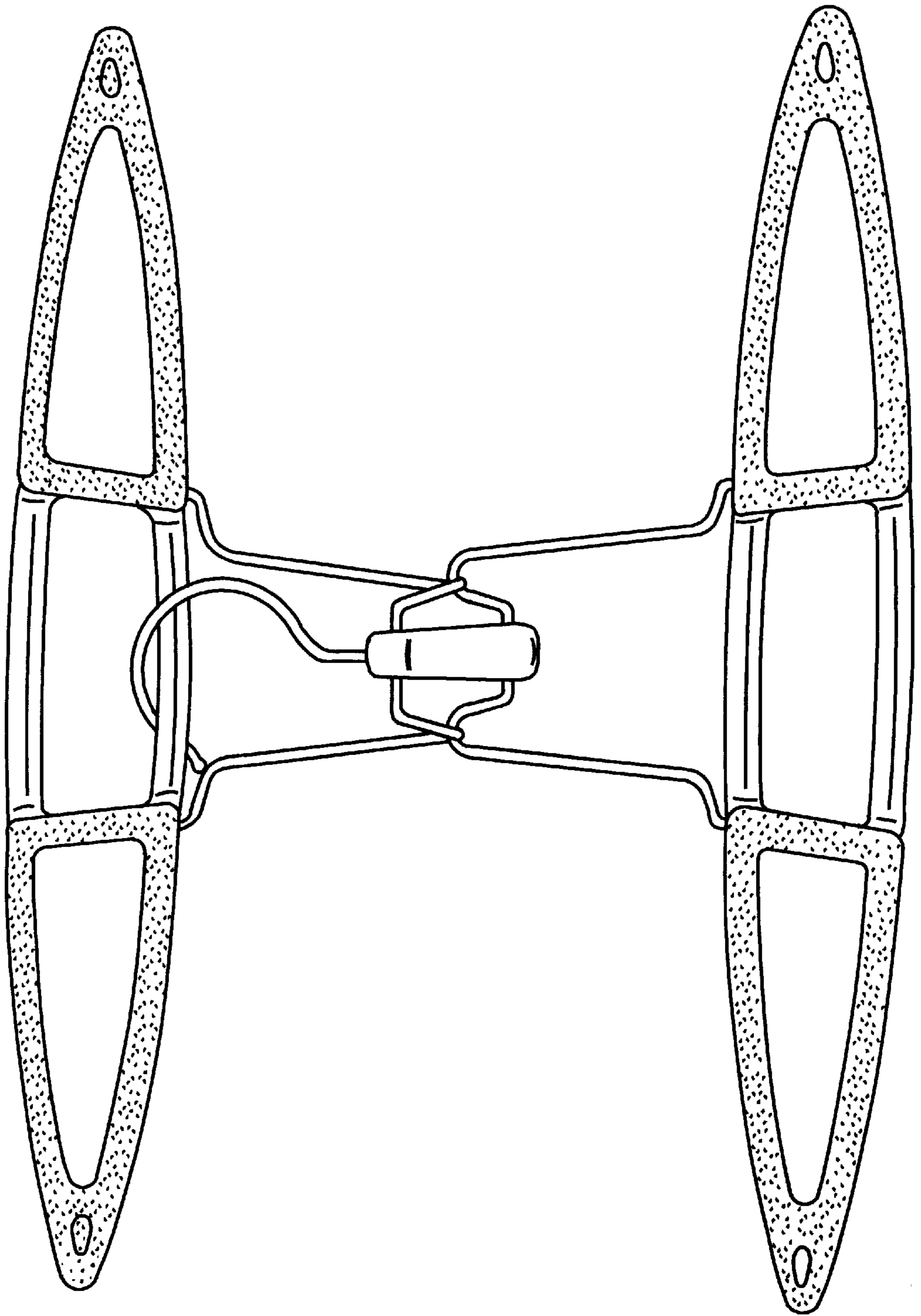


FIG. 8