



US00D471365S

(12) **United States Design Patent**  
**Henrie**

(10) **Patent No.:** **US D471,365 S**

(45) **Date of Patent:** **\*\* Mar. 11, 2003**

(54) **CLEANING BRUSH HAVING BACK-TO-BACK PLANAR AND CONCAVE HEADS**

(76) **Inventor:** **James L. Henrie**, 746 E. 100 North, Orem, UT (US) 84097

(\*\*) **Term:** **14 Years**

(21) **Appl. No.:** **29/163,280**

(22) **Filed:** **Jul. 2, 2002**

**Related U.S. Application Data**

(63) Continuation-in-part of application No. 09/800,623, filed on Mar. 6, 2001.

(51) **LOC (7) Cl.** ..... **04-01**

(52) **U.S. Cl.** ..... **D4/120; D4/127**

(58) **Field of Search** ..... D4/119, 120, 127, D4/134, 138; D28/63; 15/106, 107, 143.1, 159.1, 160, 186, 187; 16/110.1, 430, 431; 601/136, 137

(56) **References Cited**

**U.S. PATENT DOCUMENTS**

- 1,127,195 A \* 2/1915 Cummings et al. .... 15/106 X
- 1,501,547 A \* 7/1924 Bassett ..... 15/106 X
- 2,116,864 A \* 5/1938 Fehrenbach
- D346,698 S \* 5/1994 Hinnant ..... D4/127 X
- D374,557 S \* 10/1996 Whitaker ..... D4/120

RE37,190 E \* 5/2001 Stowell et al. .... 16/110.1 X

\* cited by examiner

*Primary Examiner*—Alan P. Douglas

*Assistant Examiner*—Lavone D. Tabor

(74) *Attorney, Agent, or Firm*—Angus C. Fox, III

(57) **CLAIM**

The ornamental design for a cleaning brush having back-to-back planar and concave heads, as shown and described.

**DESCRIPTION**

FIG. 1 is a right-side elevational view of the cleaning brush having back-to-back planar and concave heads, the left-side elevational view thereof being a mirror image of the right-side elevational view;

FIG. 2 is a cross-sectional view thereof, taken through the section line 2—2 of FIG. 1;

FIG. 3 is a top plan view thereof, the bottom view thereof being a mirror image of the top plan view;

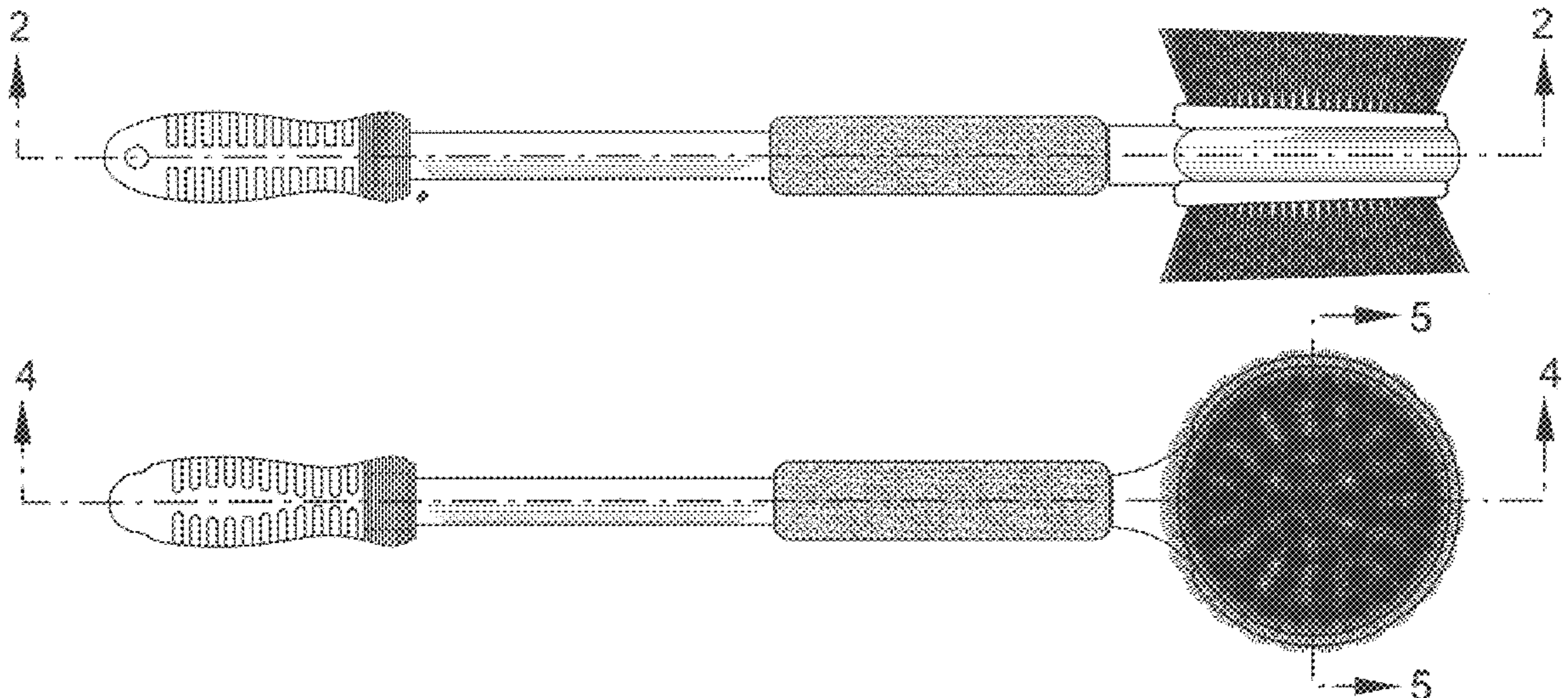
FIG. 4 is a cross-sectional view thereof, taken through section line 4—4 of FIG. 3, the brush head being shown as a thin-slice view to show the concave shape thereof;

FIG. 5 is a cross-sectional, thin slice view thereof, taken through section line 5—5 of FIG. 3, showing the concave shape of the upper brush head;

FIG. 6 is a front elevational view thereof; and,

FIG. 7 is a rear elevational view thereof.

**1 Claim, 2 Drawing Sheets**



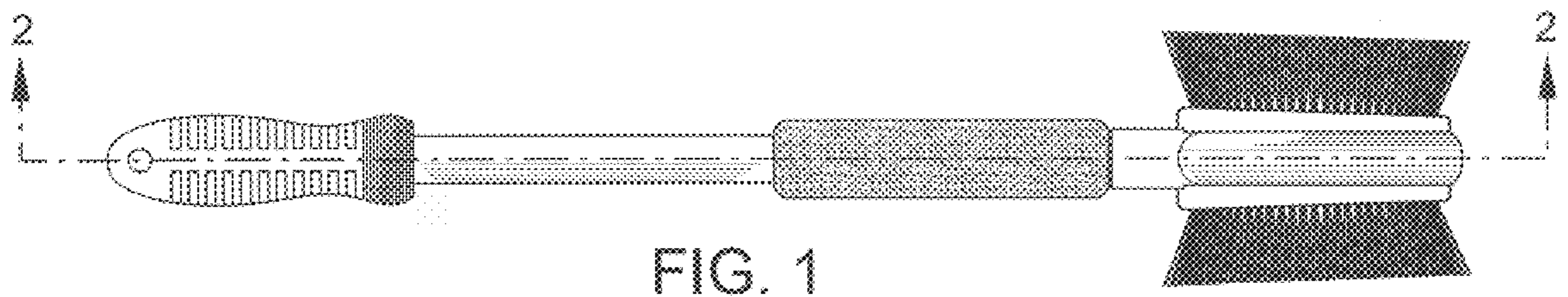


FIG. 1

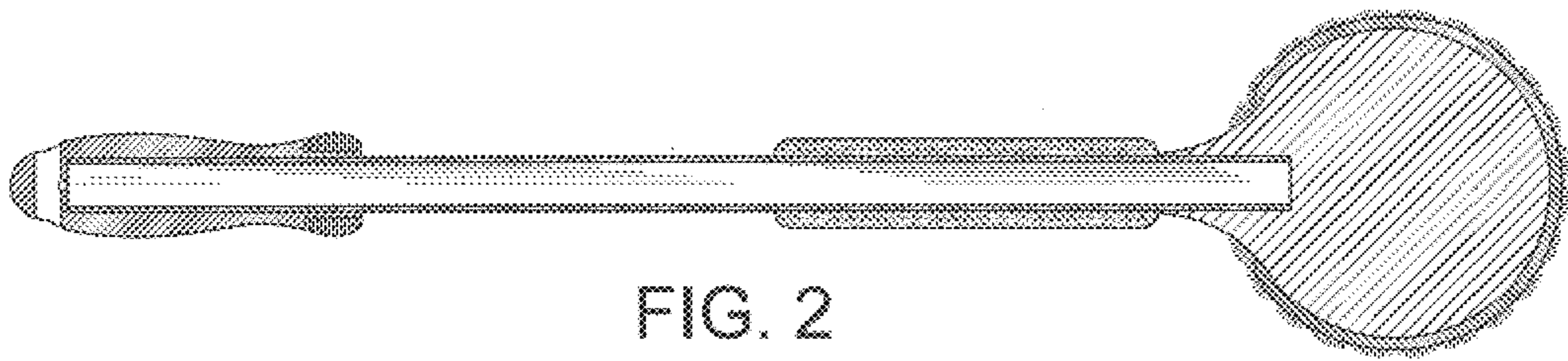


FIG. 2

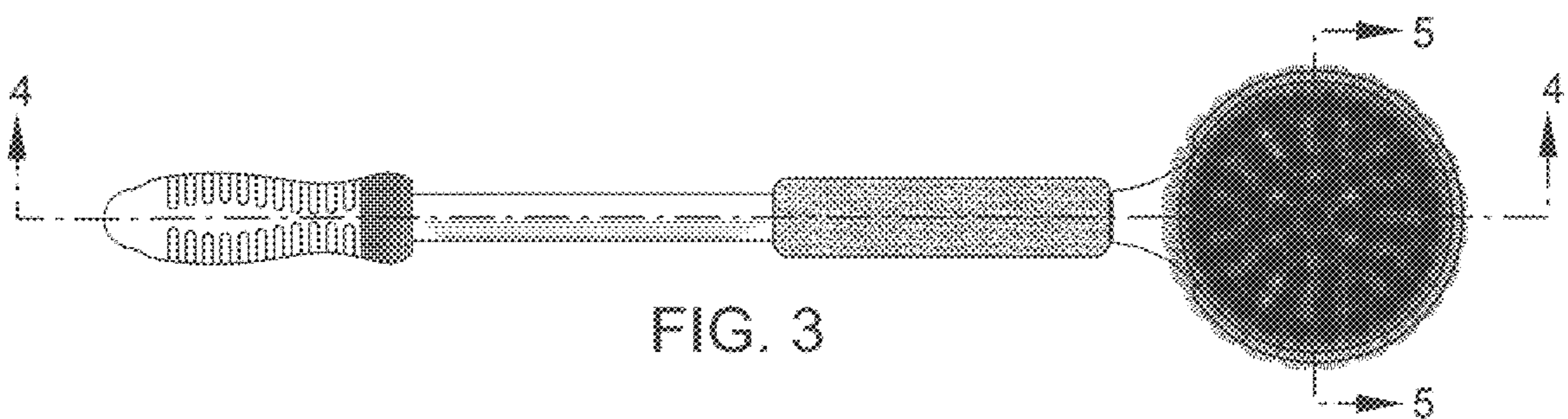


FIG. 3

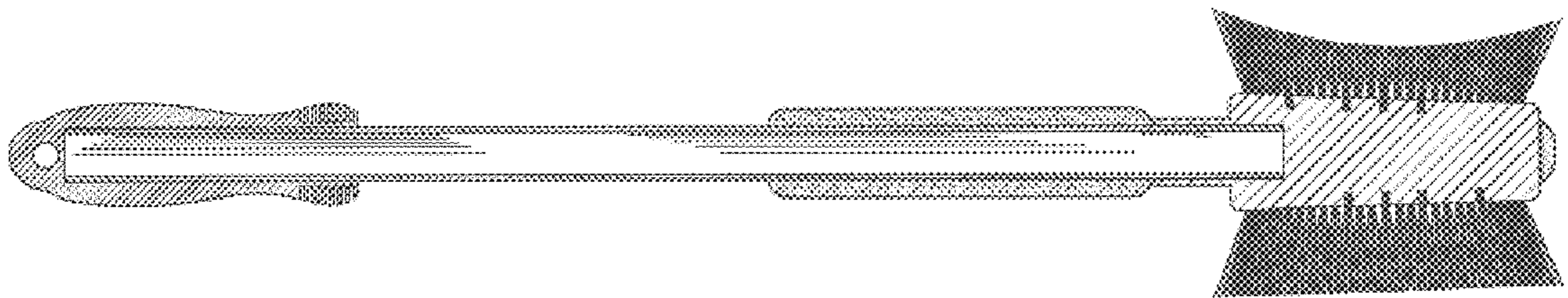


FIG. 4

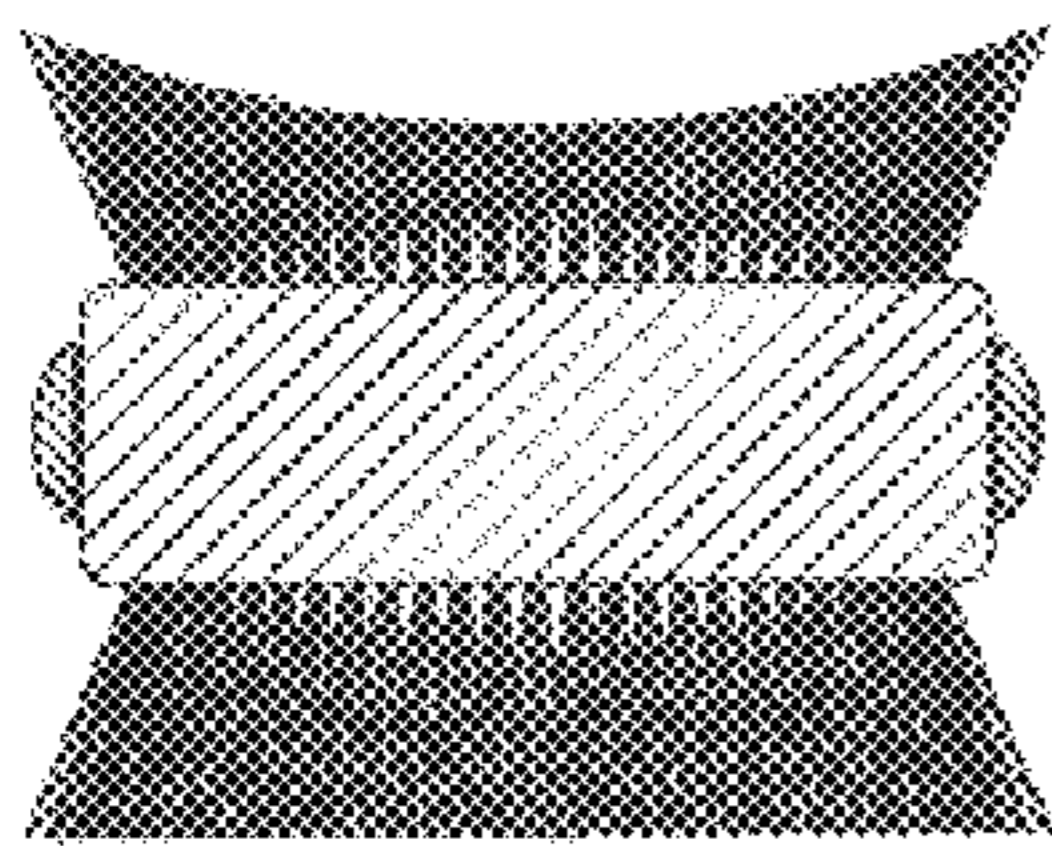


FIG. 5

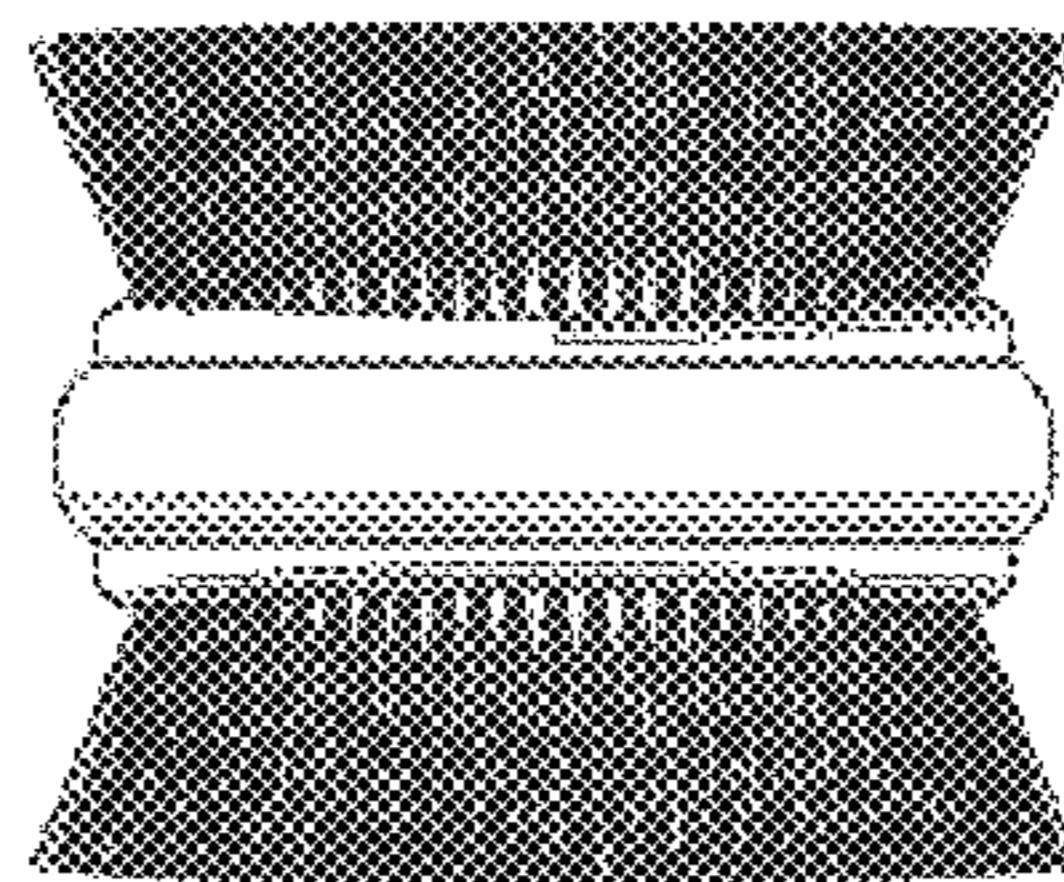


FIG. 6

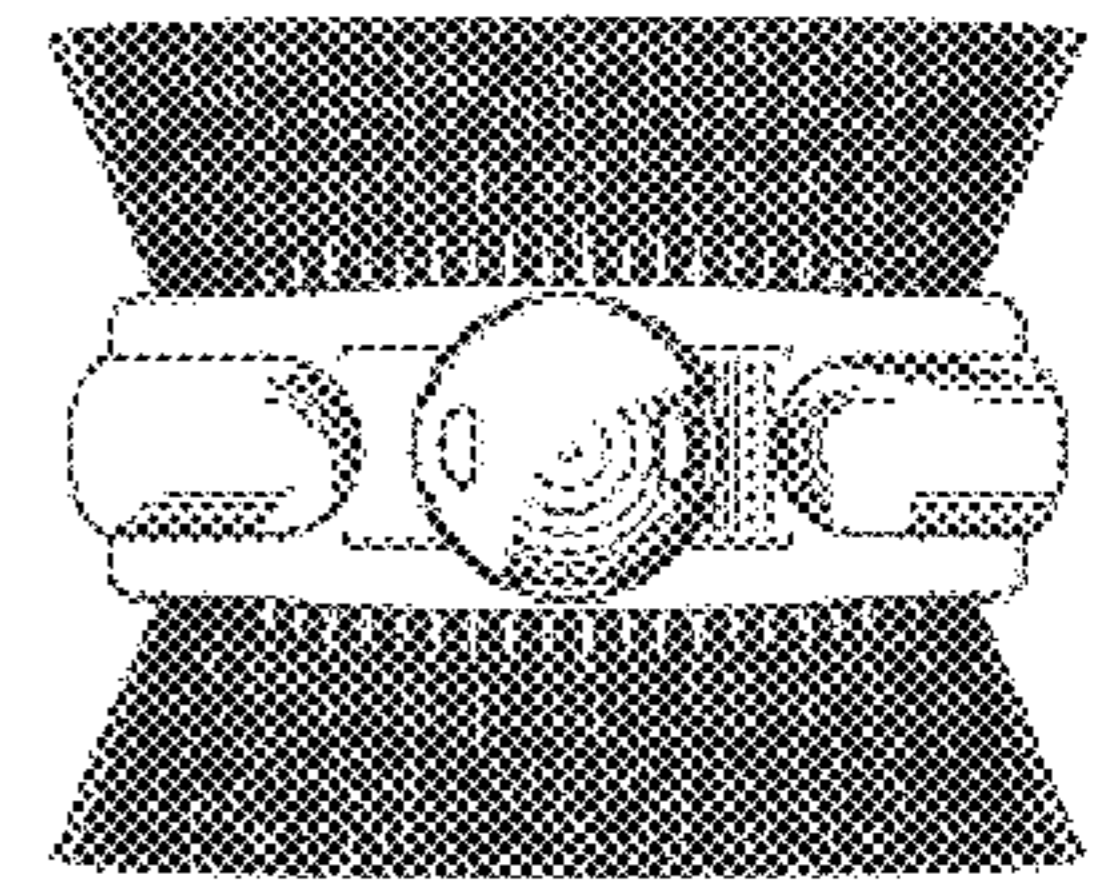


FIG. 7