



US00D471361S

(12) **United States Design Patent**  
**Crandall**

(10) **Patent No.:** **US D471,361 S**

(45) **Date of Patent:** **\*\* Mar. 11, 2003**

(54) **BAG**  
(75) Inventor: **Kevin Crandall**, Chicago, IL (US)  
(73) Assignee: **OCP Acquisition Corp.**, Chicago, IL (US)  
(\*\*) Term: **14 Years**

5,927,856 A	7/1999	Hung	383/34
5,964,384 A	10/1999	Young	224/153
D421,371 S	* 3/2000	Fair	D7/607
6,047,752 A	4/2000	Southwick	150/117
D436,443 S	1/2001	Hillman	D3/283
6,213,268 B1	4/2001	Dancyger	190/110
D447,632 S	9/2001	Gisser	D3/289

\* cited by examiner

(21) Appl. No.: **29/154,821**  
(22) Filed: **Jan. 29, 2002**

*Primary Examiner*—Philip S. Hyder  
(74) *Attorney, Agent, or Firm*—McDonnell Boehnen Hulbert & Berghoff

**Related U.S. Application Data**

(63) Continuation-in-part of application No. 29/152,222, filed on Dec. 12, 2001, now Pat. No. Des. 458,750.

(51) **LOC (7) Cl.** ..... **03-01**  
(52) **U.S. Cl.** ..... **D3/292; D3/303; D3/301**  
(58) **Field of Search** ..... D3/273, 276, 287, D3/289, 292, 299, 300, 301, 303; 206/349; 190/100, 109, 110; D7/607; 383/109, 110, 113

(57) **CLAIM**

The ornamental design for a bag, as shown and described.

**DESCRIPTION**

FIG. 1 is a perspective view of a bag of the present design; FIG. 2 is a front elevational view thereof; FIG. 3 is a rear elevational view thereof; FIG. 4 is a left side elevational view thereof; FIG. 5 is a right side elevational view thereof; FIG. 6 is a top plan view thereof; FIG. 7 is a bottom plan view thereof. FIG. 8 is a perspective view of the bag of FIG. 1, with the mouth of the bag open; FIG. 9 is a left side elevational view thereof; FIG. 10 is a front elevational view thereof; FIG. 11 is a right side elevational view thereof; FIG. 12 is a rear elevational view thereof; FIG. 13 is a top plan view thereof; FIG. 14 is a bottom plan view thereof; and, FIG. 15 is a perspective view thereof.

The broken line portions of the drawings are for illustrative purposes only and form no part of the claimed design.

(56) **References Cited**

**U.S. PATENT DOCUMENTS**

2,960,136 A	11/1960	Ziff	150/29
D281,645 S	12/1985	Bomes et al.	D3/287
D281,647 S	12/1985	Bomes et al.	D3/287
D282,505 S	2/1986	Bomes et al.	D3/287
4,966,260 A	10/1990	Young	190/111
D346,693 S	5/1994	Saltzman et al.	D3/283
5,361,603 A	11/1994	Merrit-Munson	62/457.2
D383,360 S	* 9/1997	Melk	D3/276
D396,144 S	7/1998	Farmer	D3/287
5,865,314 A	2/1999	Jacober	206/570
D406,730 S	* 3/1999	Freese et al.	D7/607
D411,419 S	* 6/1999	Wyant	D7/607

**1 Claim, 9 Drawing Sheets**

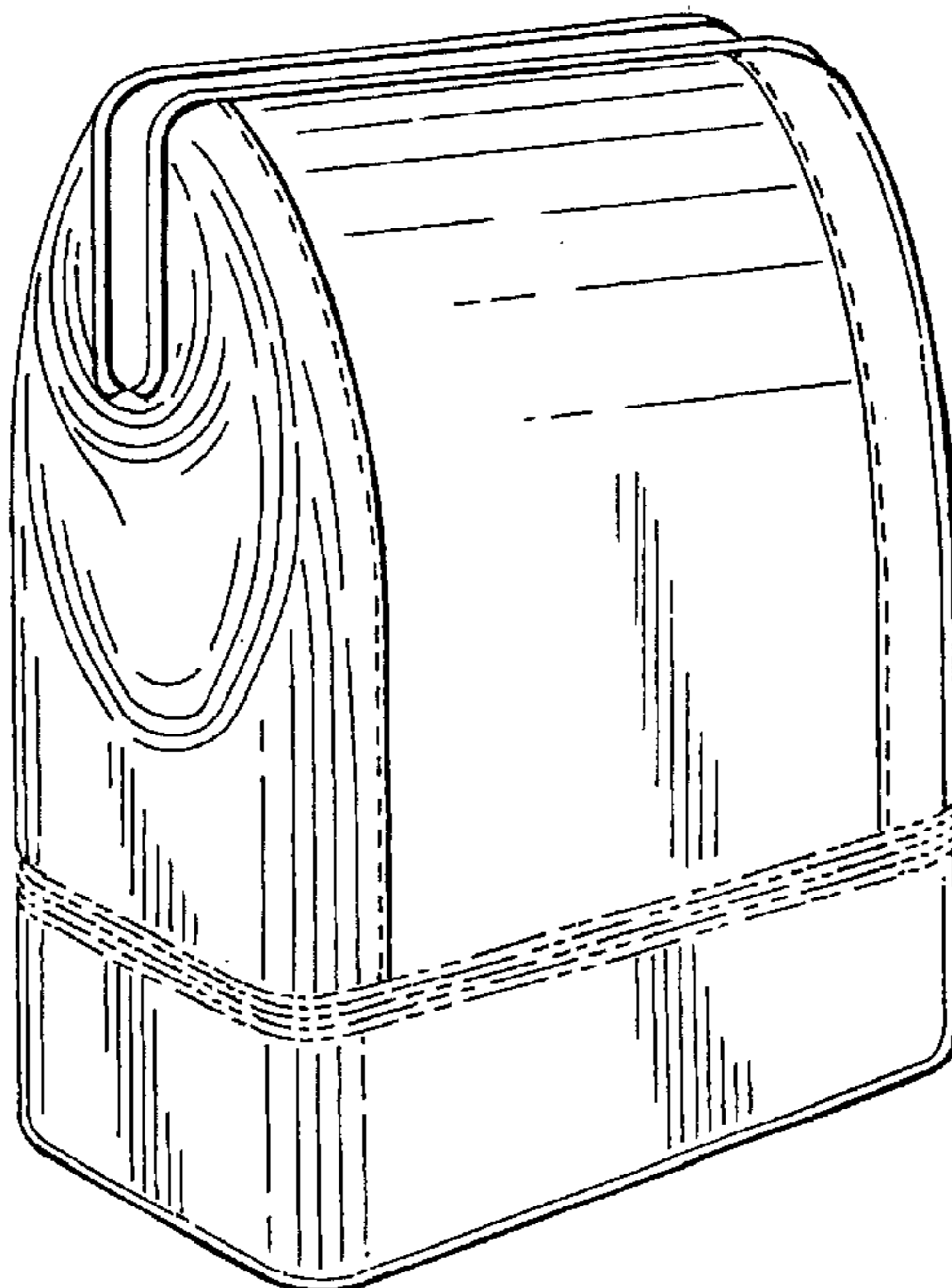


FIG. 1

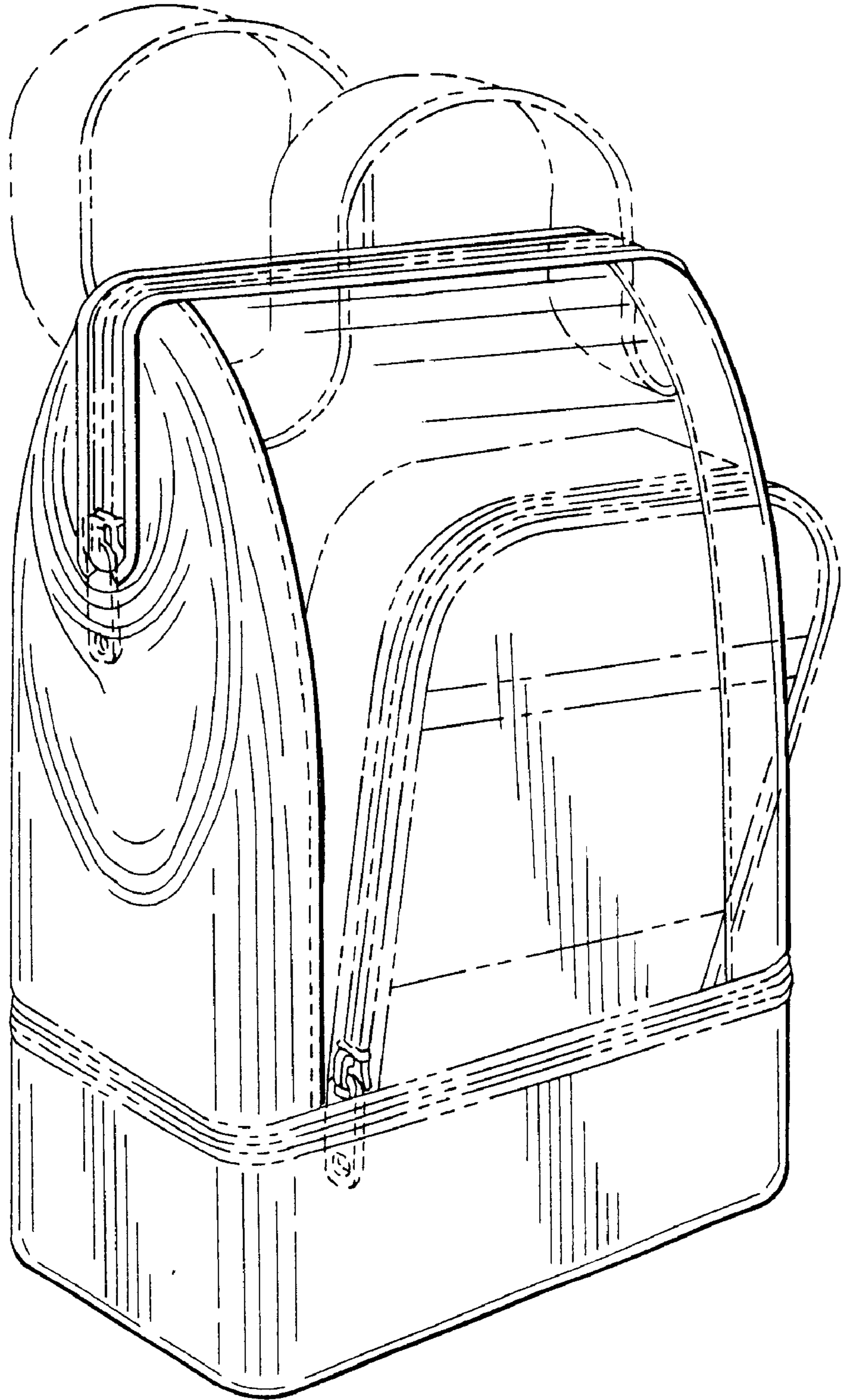


FIG. 3

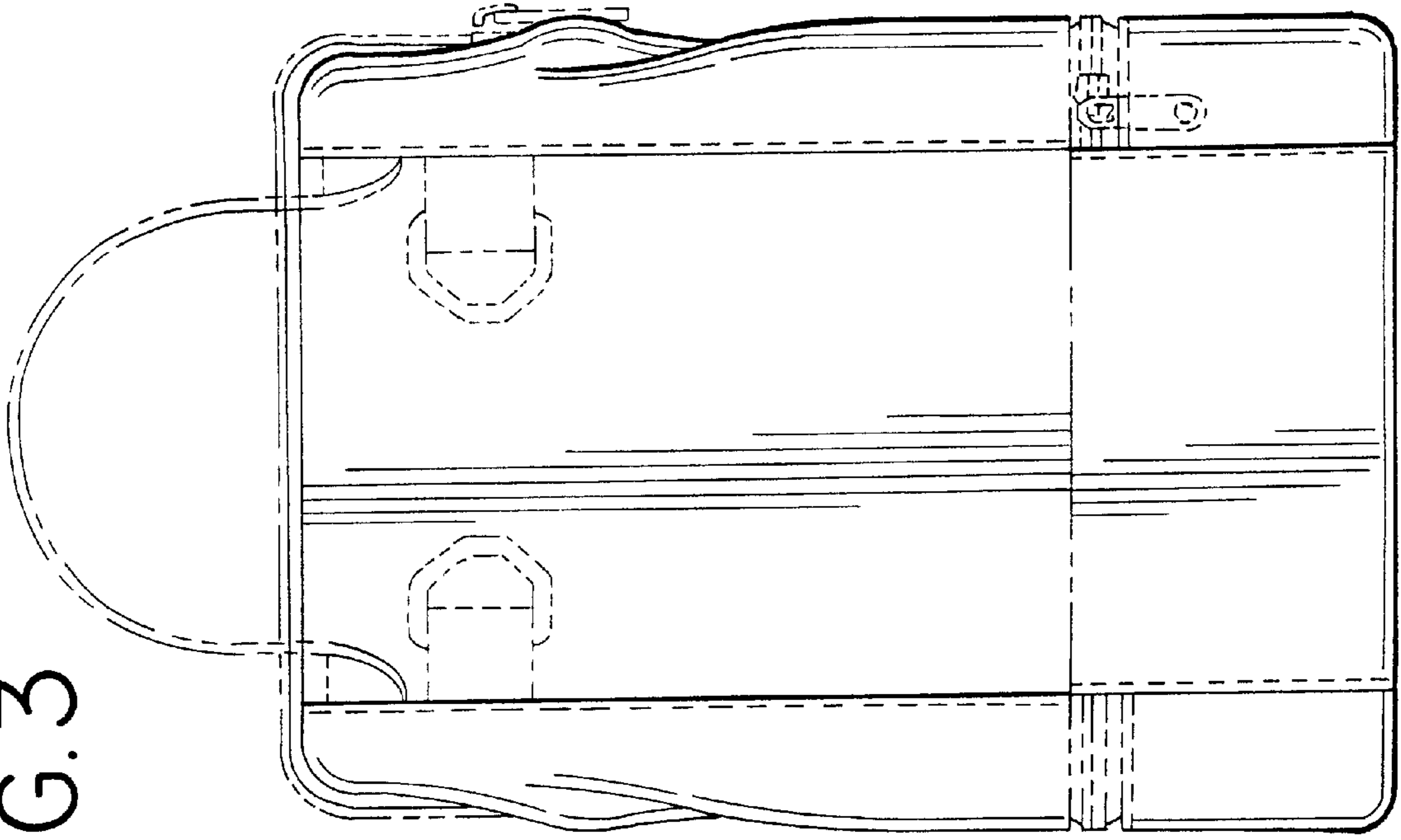
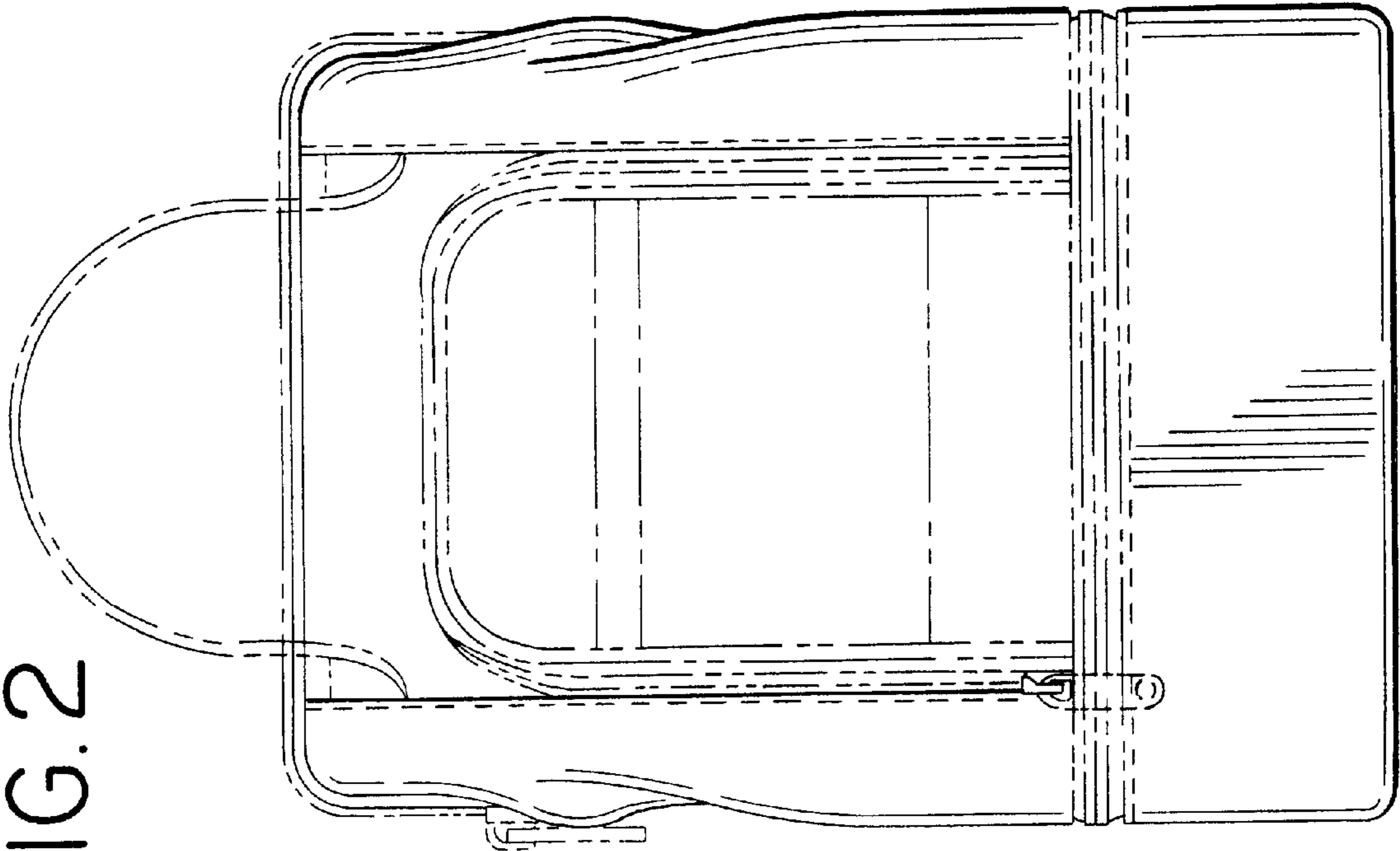


FIG. 2



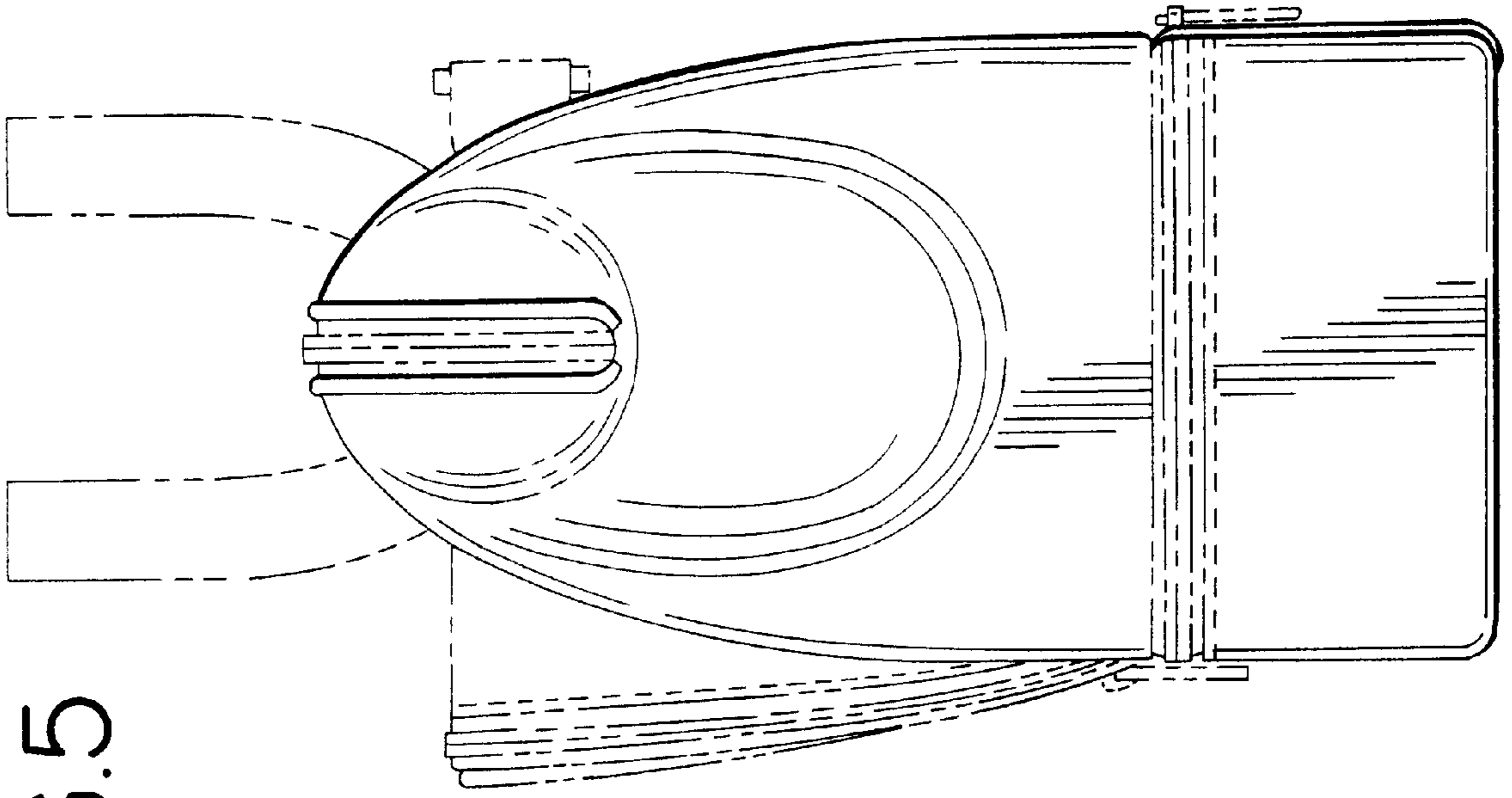


FIG.5

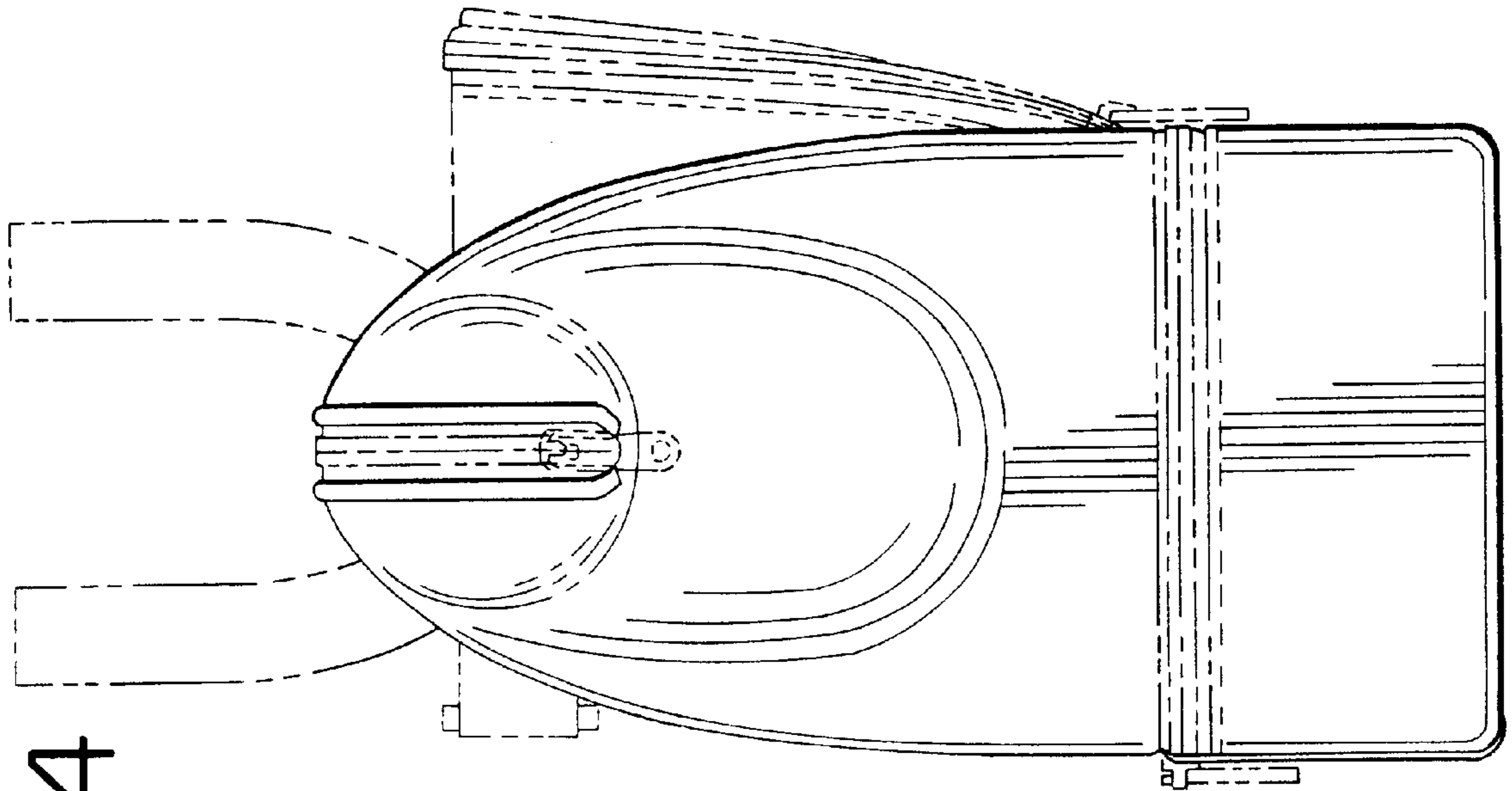


FIG.4



FIG. 6

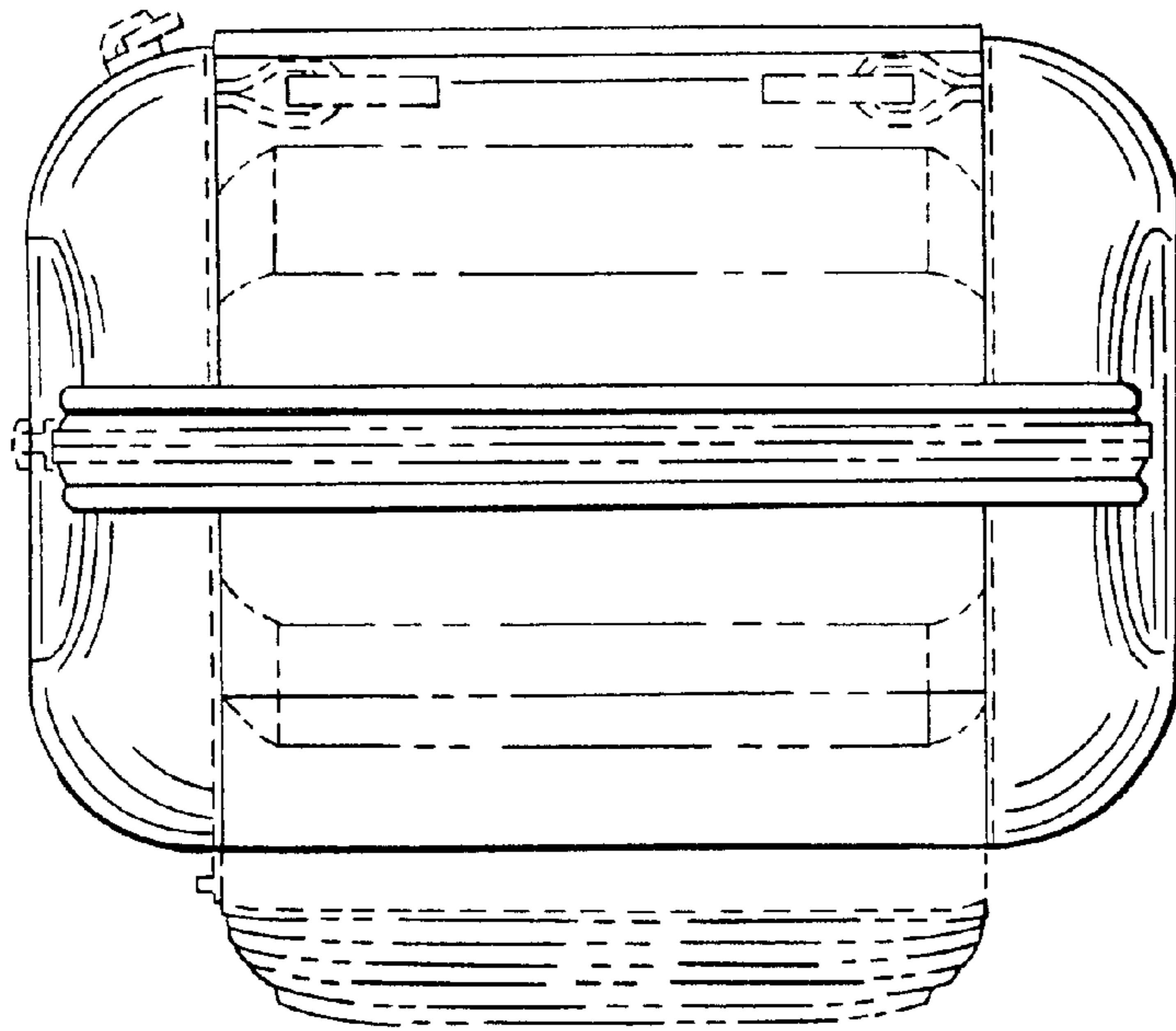


FIG. 7

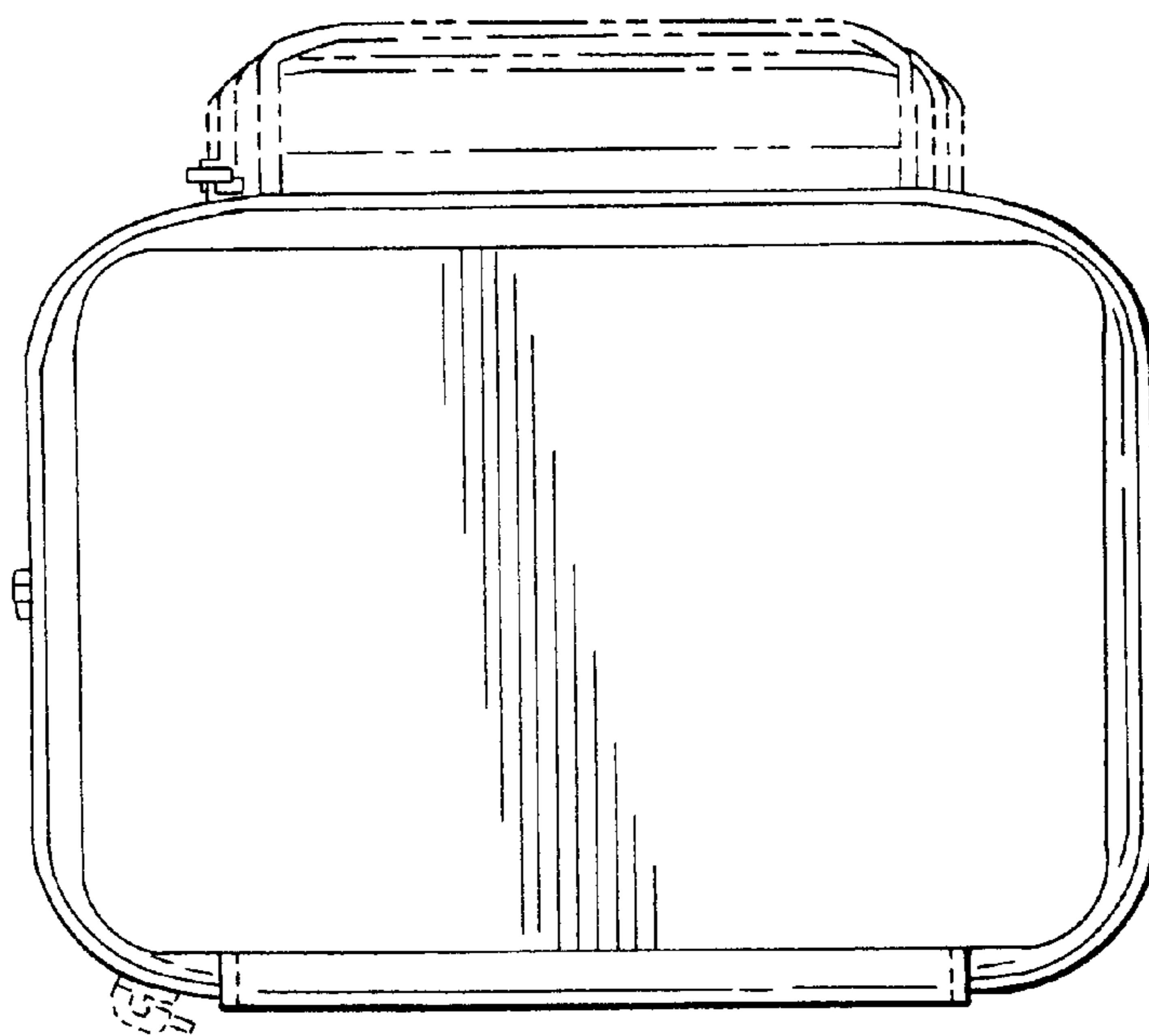


FIG. 8

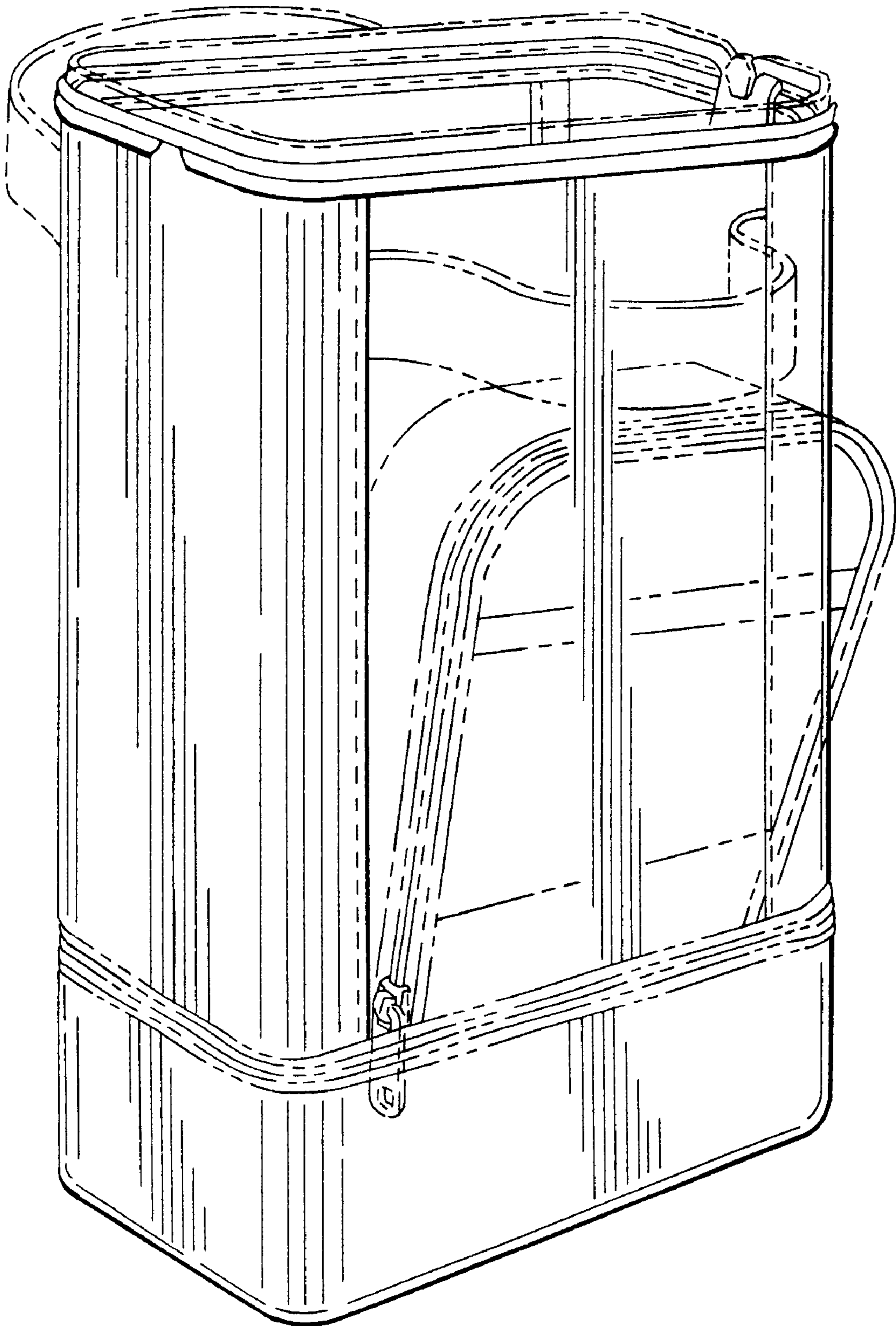


FIG.10

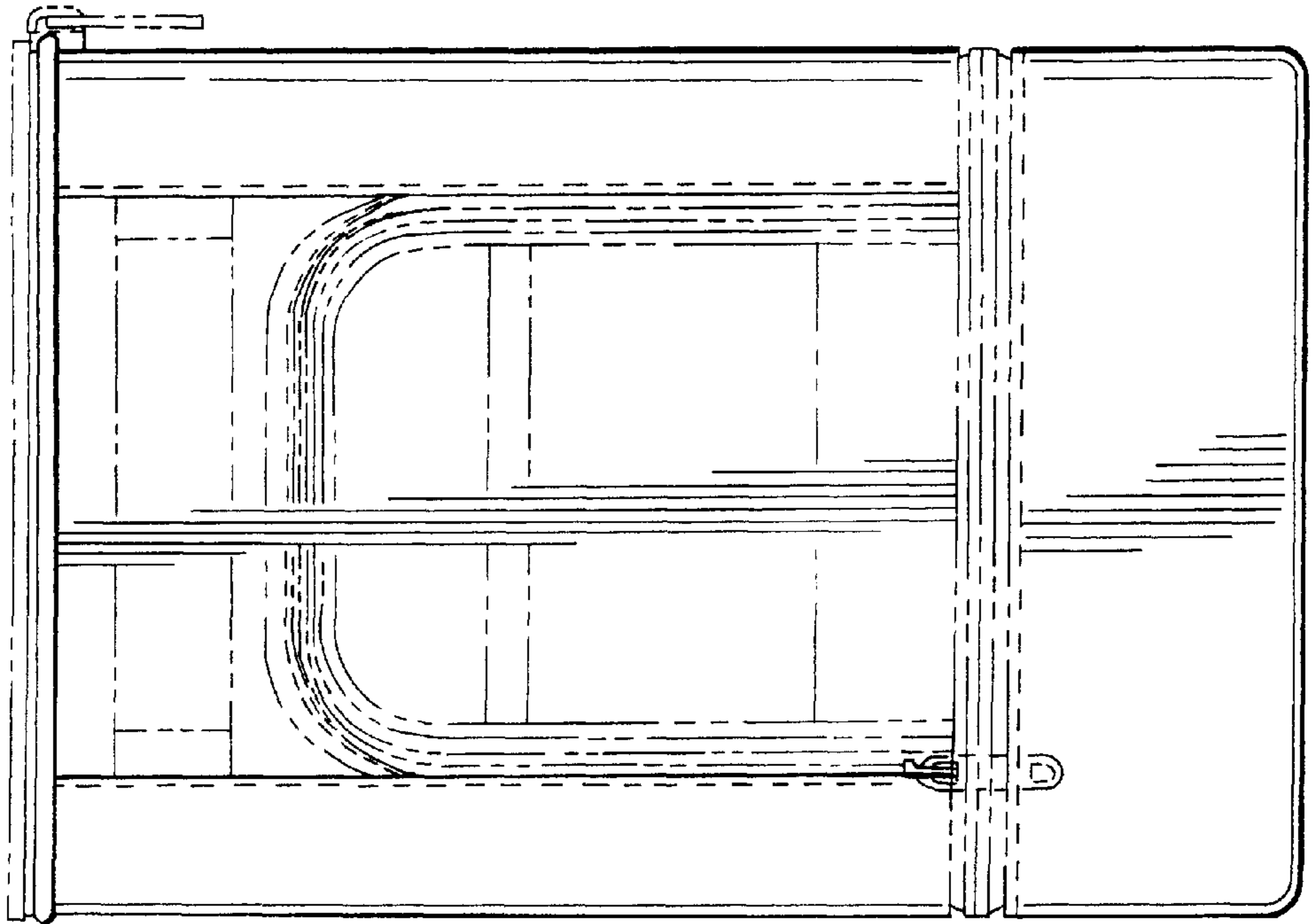


FIG.9

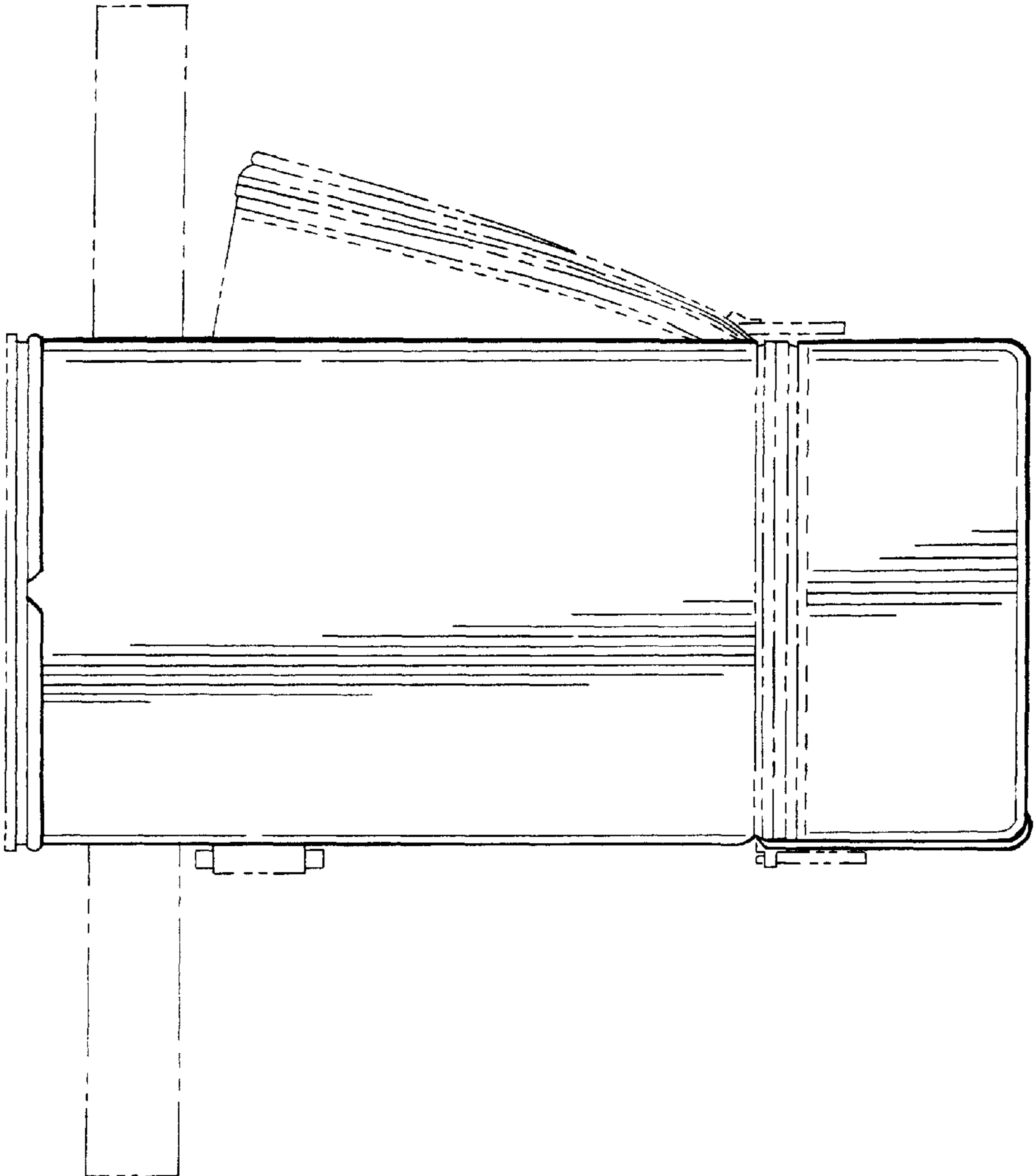


FIG.12

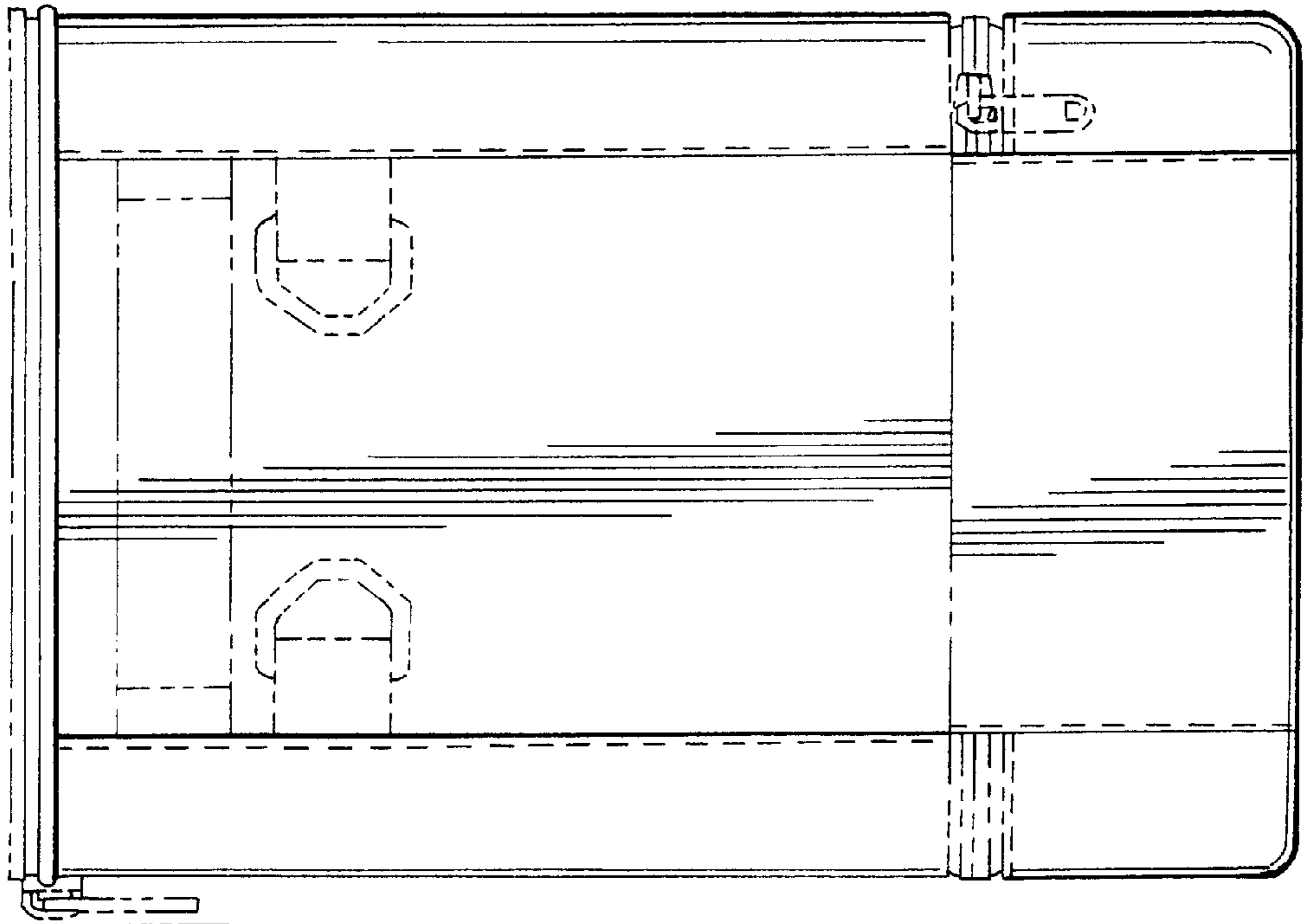


FIG.11

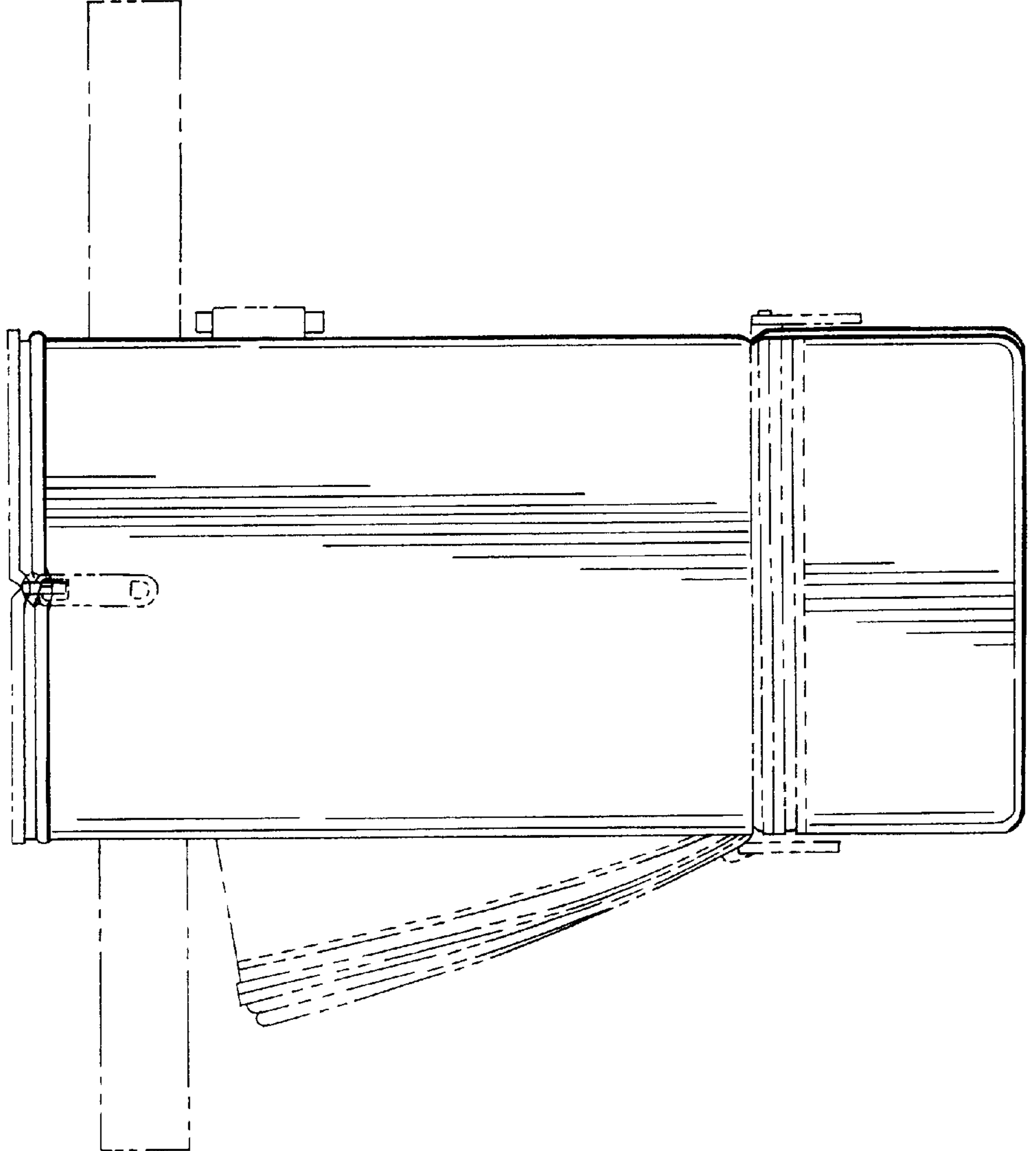




FIG.14

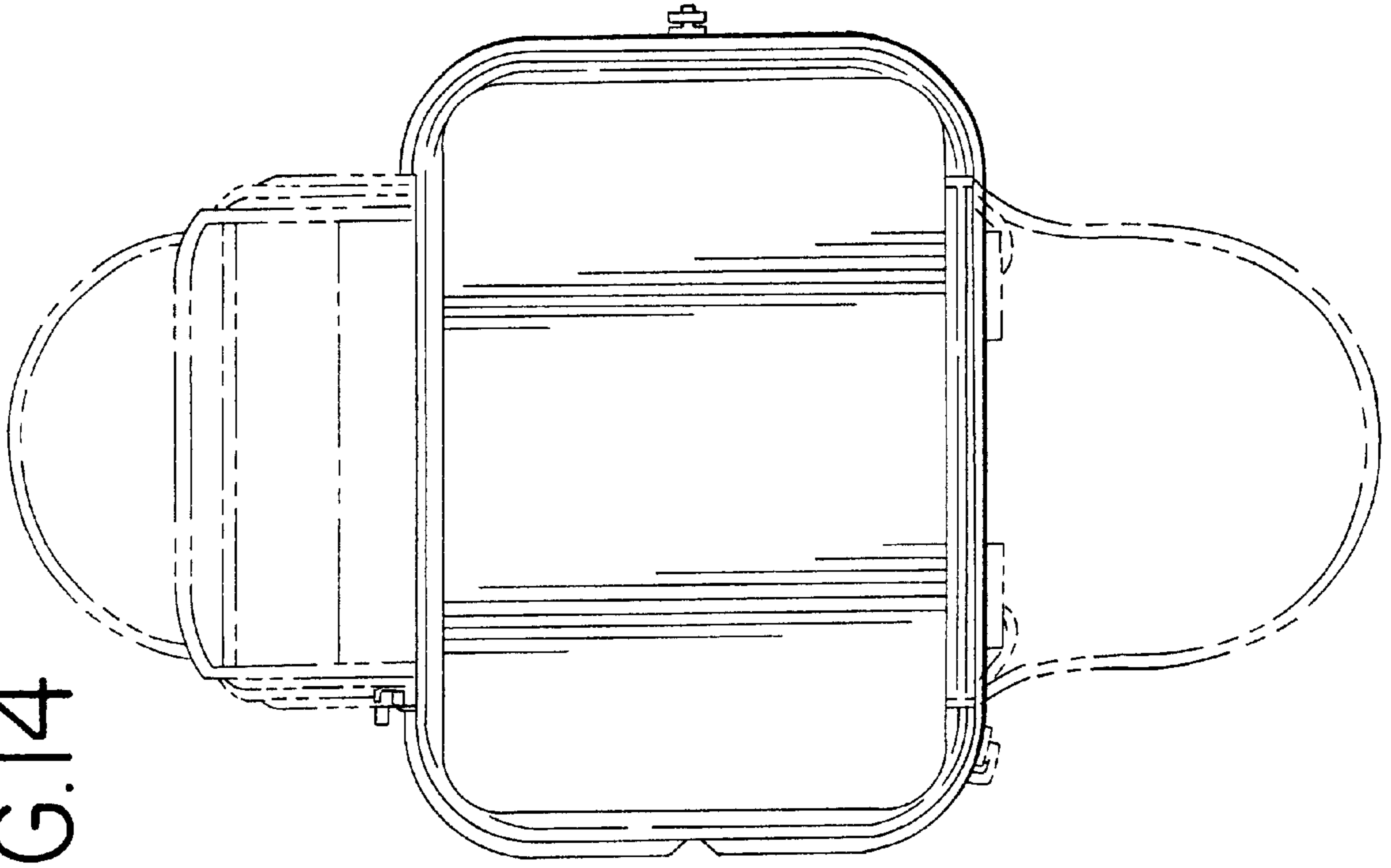


FIG.13

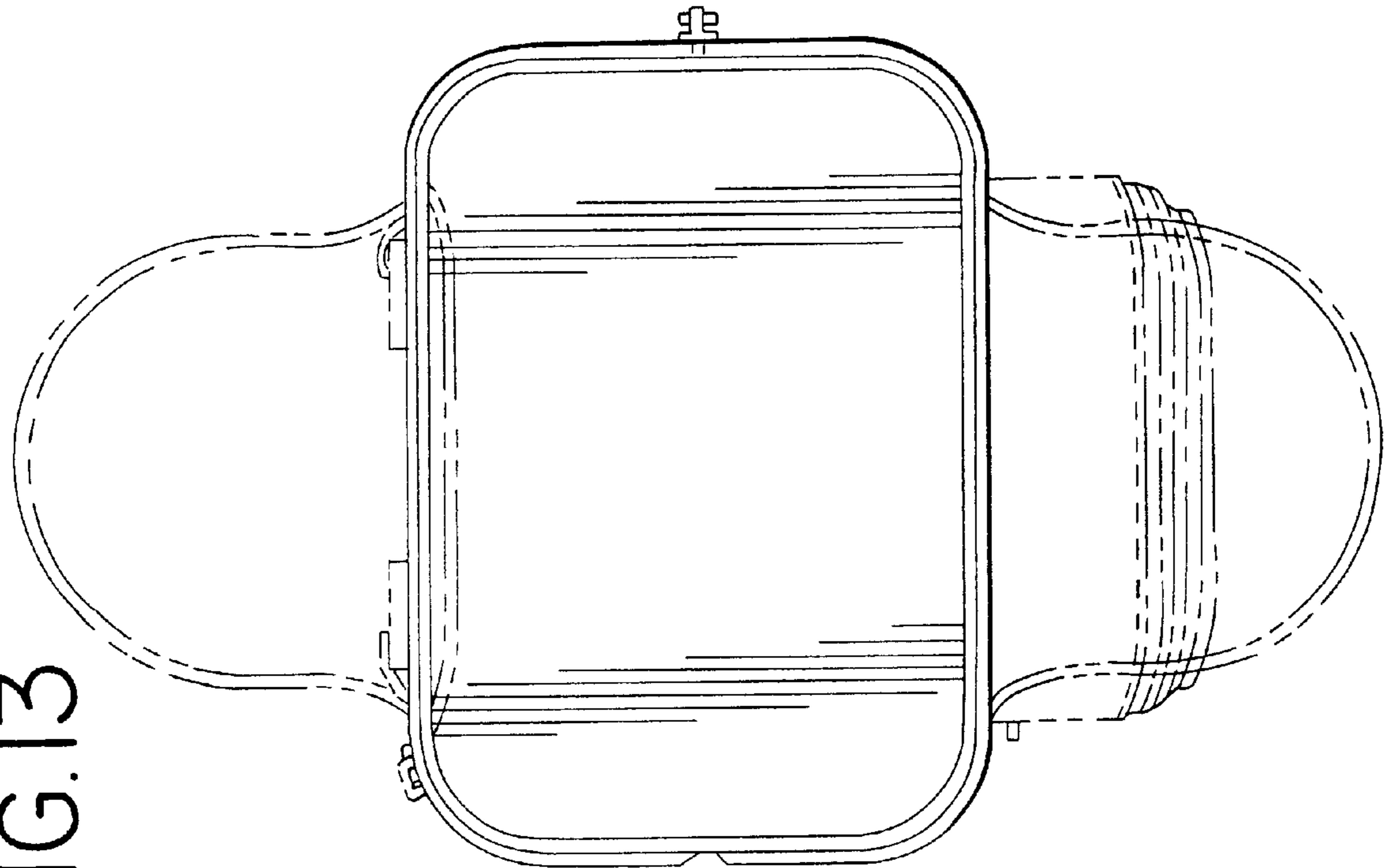


FIG.15

