



US00D471359S

(12) **United States Design Patent**  
**Yang**

(10) **Patent No.:** **US D471,359 S**

(45) **Date of Patent:** **\*\* Mar. 11, 2003**

(54) **DOUBLE-STACK HARDWARE BOX**

(75) Inventor: **Oinghao Yang**, New Providence (BS)

(73) Assignee: **Global Industries Holdings Ltd.**,  
Nassau (BS)

(\*\*) Term: **14 Years**

(21) Appl. No.: **29/159,897**

(22) Filed: **Apr. 30, 2002**

(51) **LOC (7) Cl.** ..... **03-01**

(52) **U.S. Cl.** ..... **D3/276; D3/283; D3/284;**  
**D3/905**

(58) **Field of Search** ..... **D3/273, 276, 281,**  
**D3/282, 283, 284, 294, 315, 905; 206/349,**  
**372, 373, 379; 312/326; 220/524, 527**

(56) **References Cited**

**U.S. PATENT DOCUMENTS**

- D147,482 S \* 9/1947 Winterfeld ..... D6/441
- D153,828 S \* 5/1949 Settle ..... D3/284
- 2,563,718 A \* 8/1951 Gifford ..... 312/216
- 2,663,608 A \* 12/1953 Schauer ..... 312/326

D225,513 S \* 12/1972 Waag ..... D3/284

D267,153 S \* 12/1982 Lebowitz ..... D19/77

D328,817 S \* 8/1992 Holland ..... D3/270

D358,708 S \* 5/1995 Ko ..... D3/276

D367,959 S \* 3/1996 Calmeise et al. .... D3/283

\* cited by examiner

*Primary Examiner*—Philip S. Hyder

(74) *Attorney, Agent, or Firm*—Charles E. Baxley

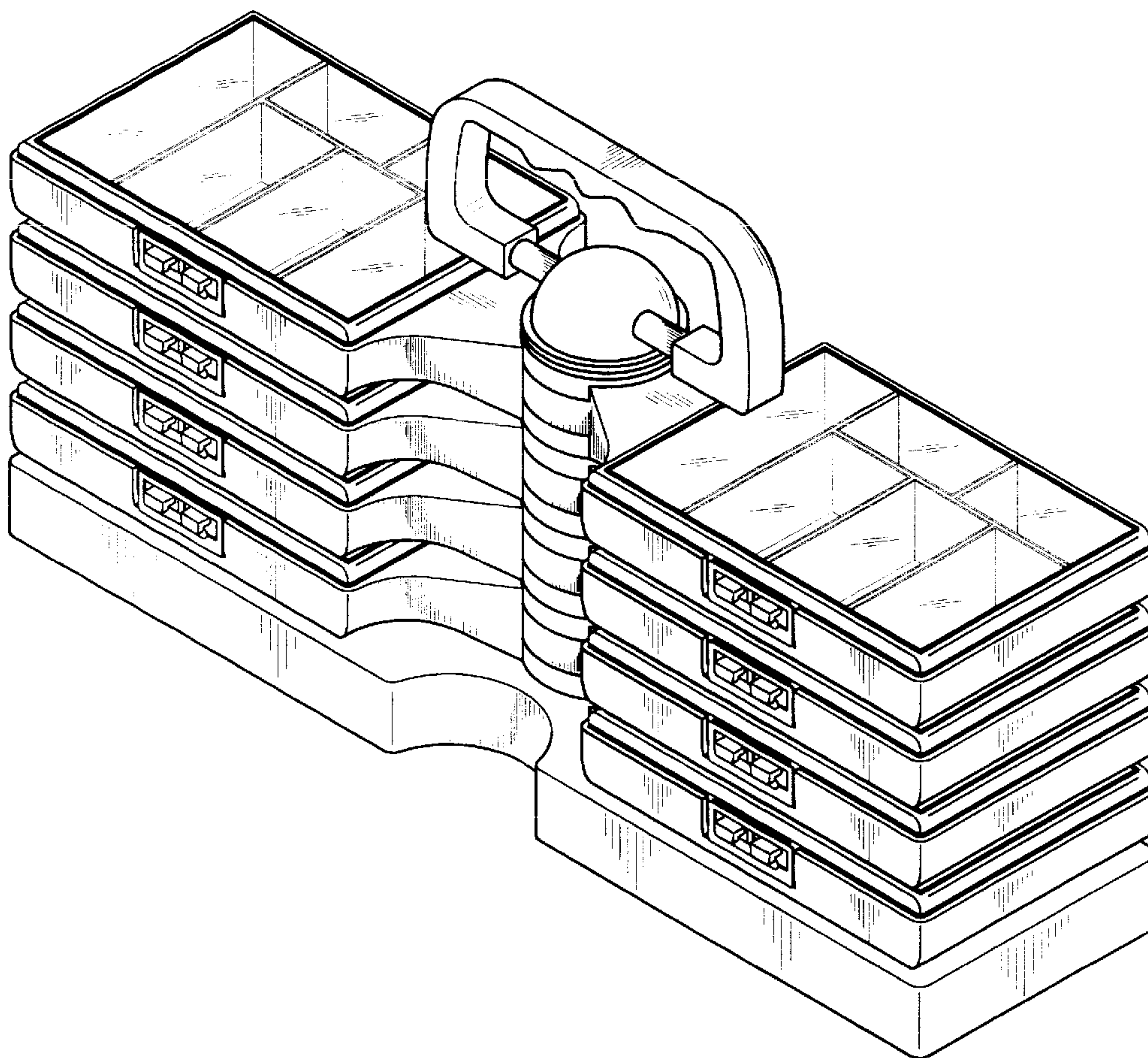
(57) **CLAIM**

The ornamental design for a double-stack hardware box, as shown and described.

**DESCRIPTION**

FIG. 1 is a perspective view of a double-stack hardware box showing our new design thereof;  
 FIG. 2 is a front elevational view thereof;  
 FIG. 3 is a rear elevational view thereof;  
 FIG. 4 is a left side elevational view thereof;  
 FIG. 5 is a right side elevational view thereof;  
 FIG. 6 is a top plan view thereof; and,  
 FIG. 7 is a bottom plan view thereof.

**1 Claim, 5 Drawing Sheets**



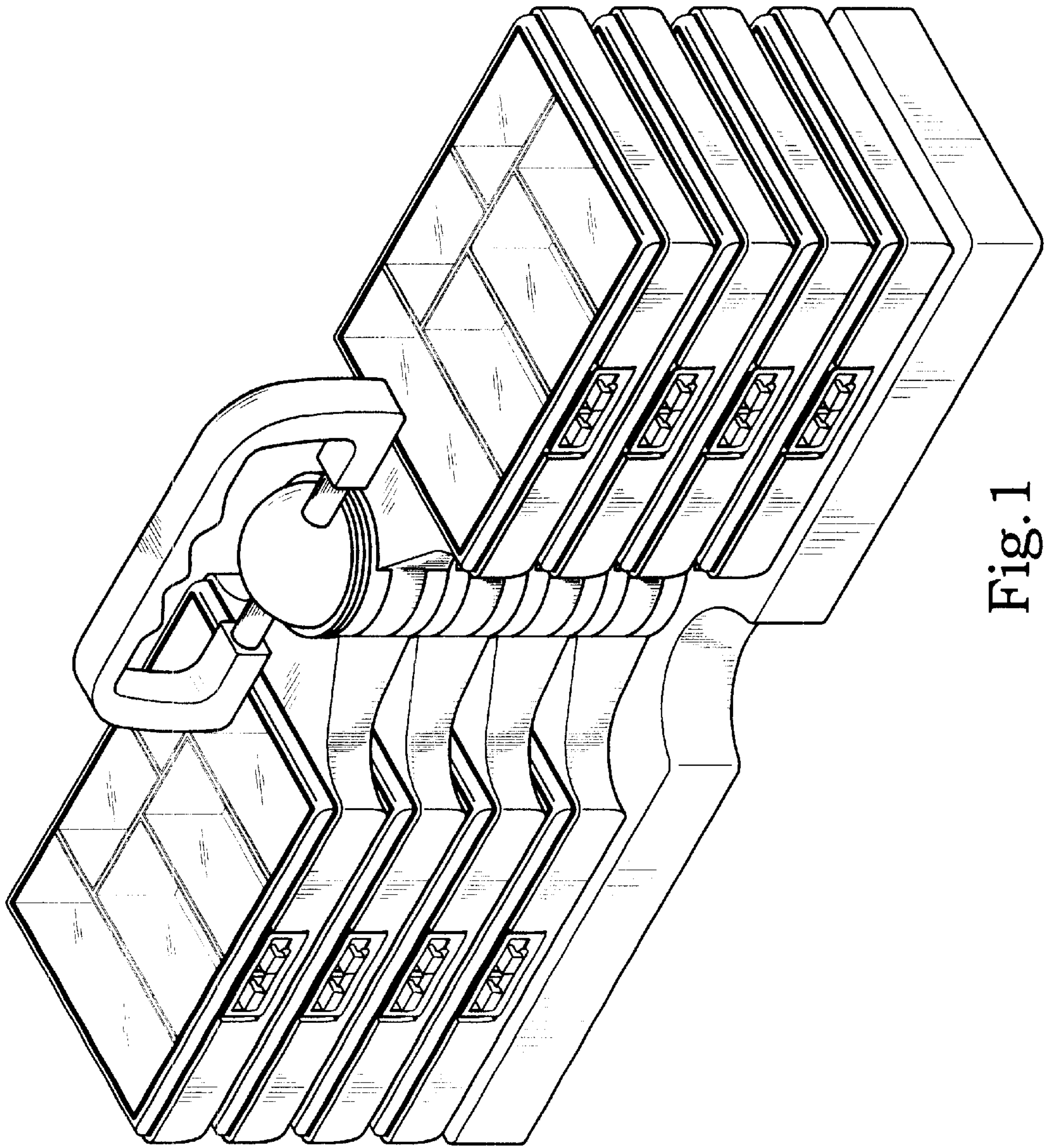


Fig. 1

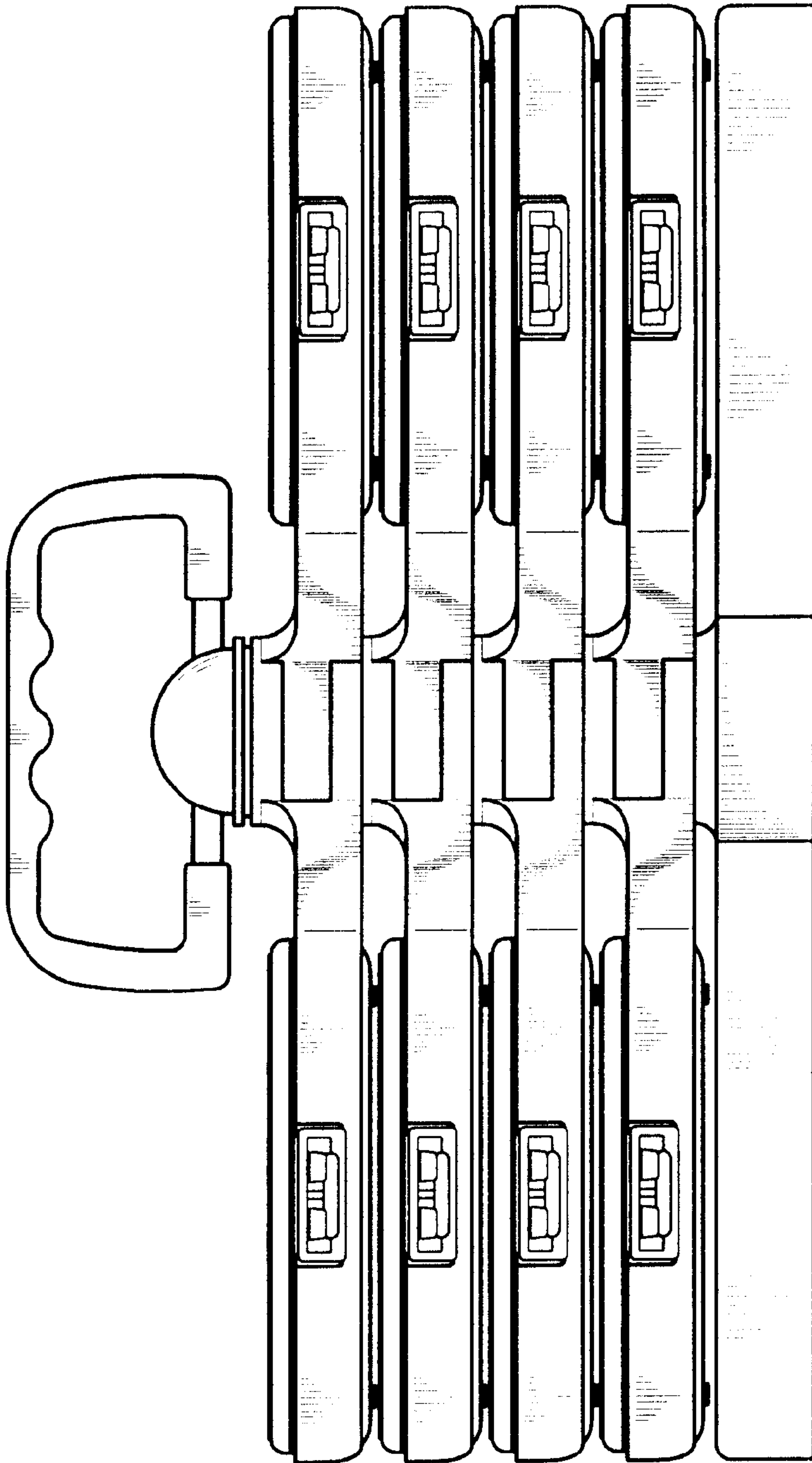


Fig.2



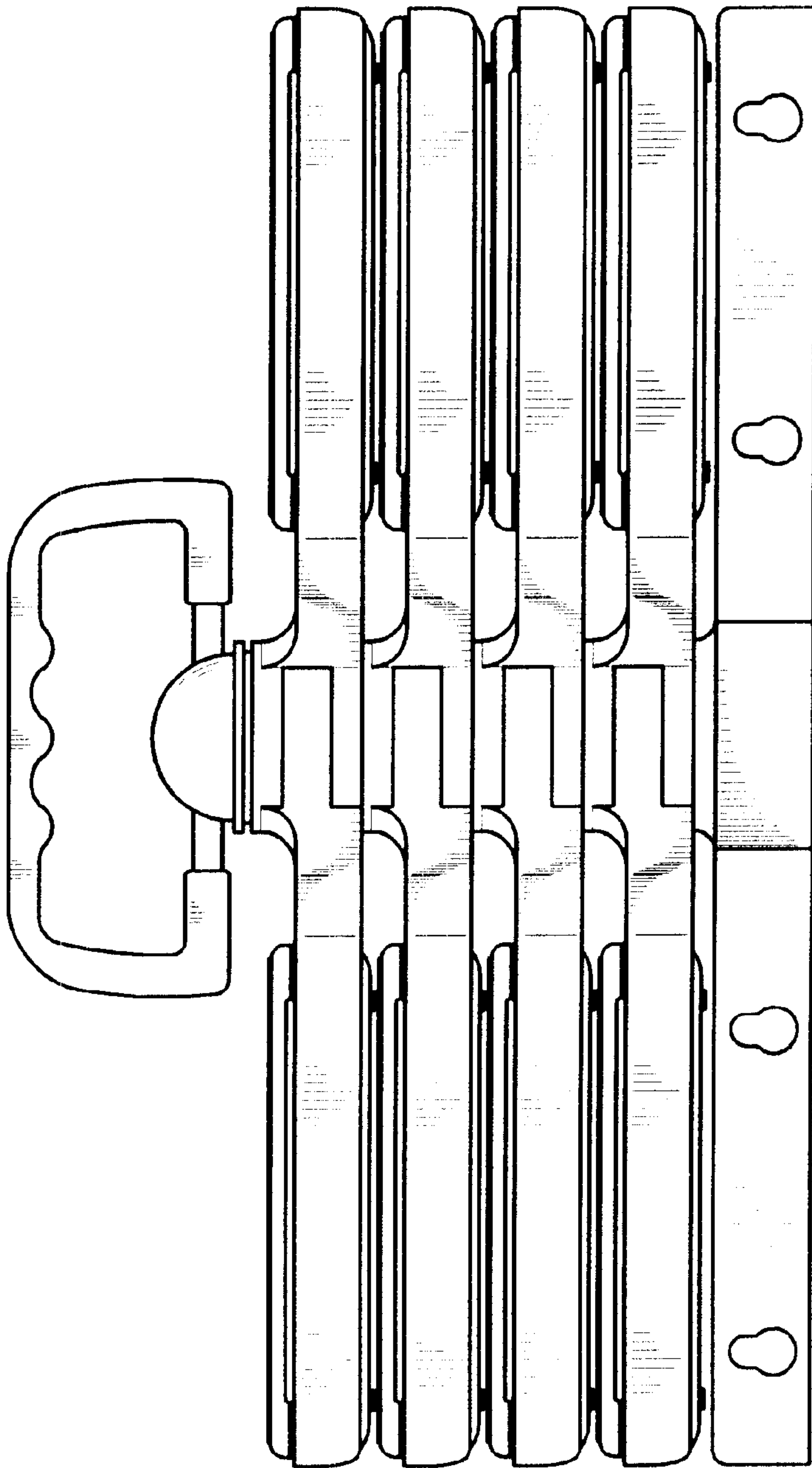


Fig. 3

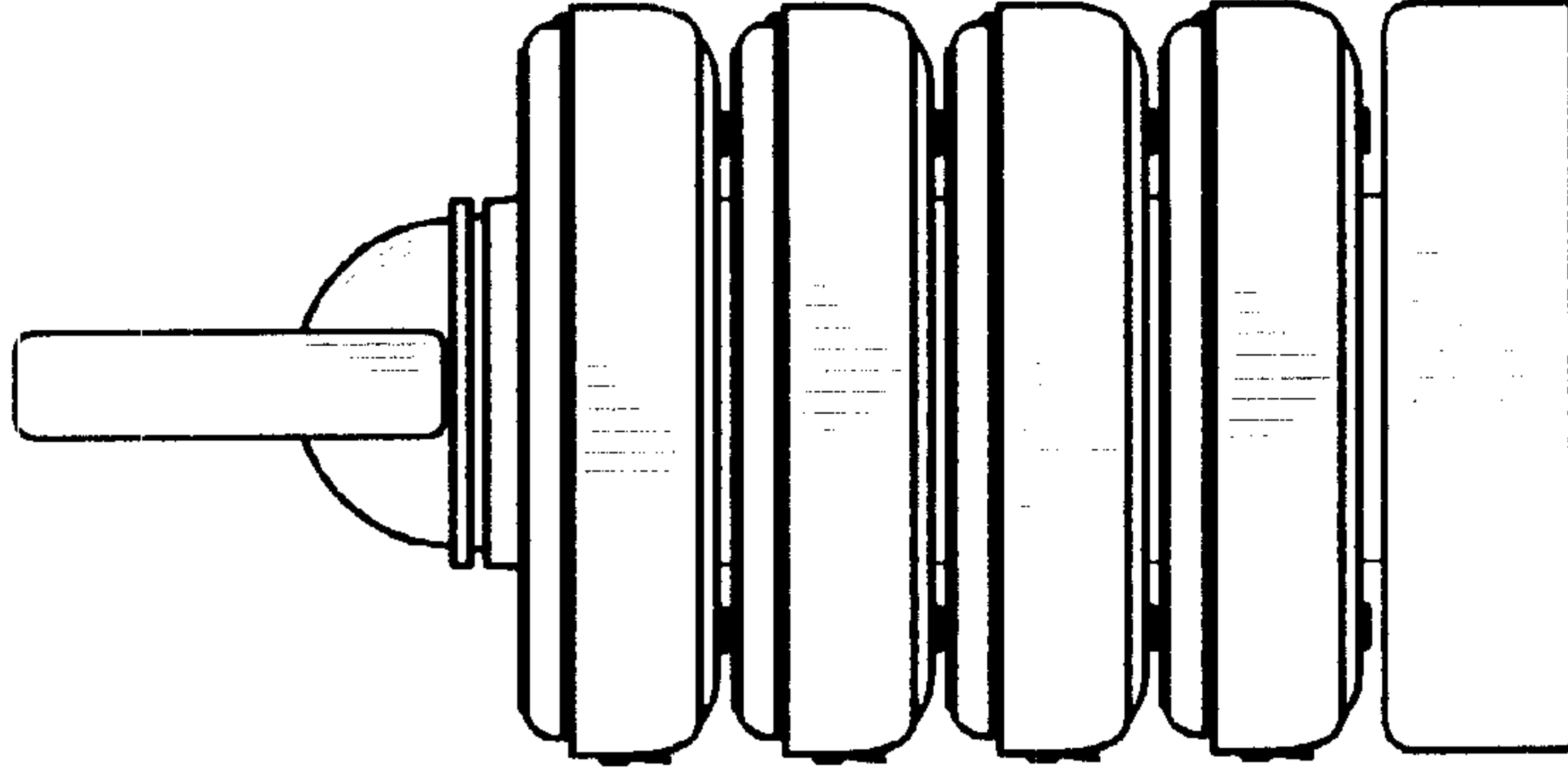


Fig. 5

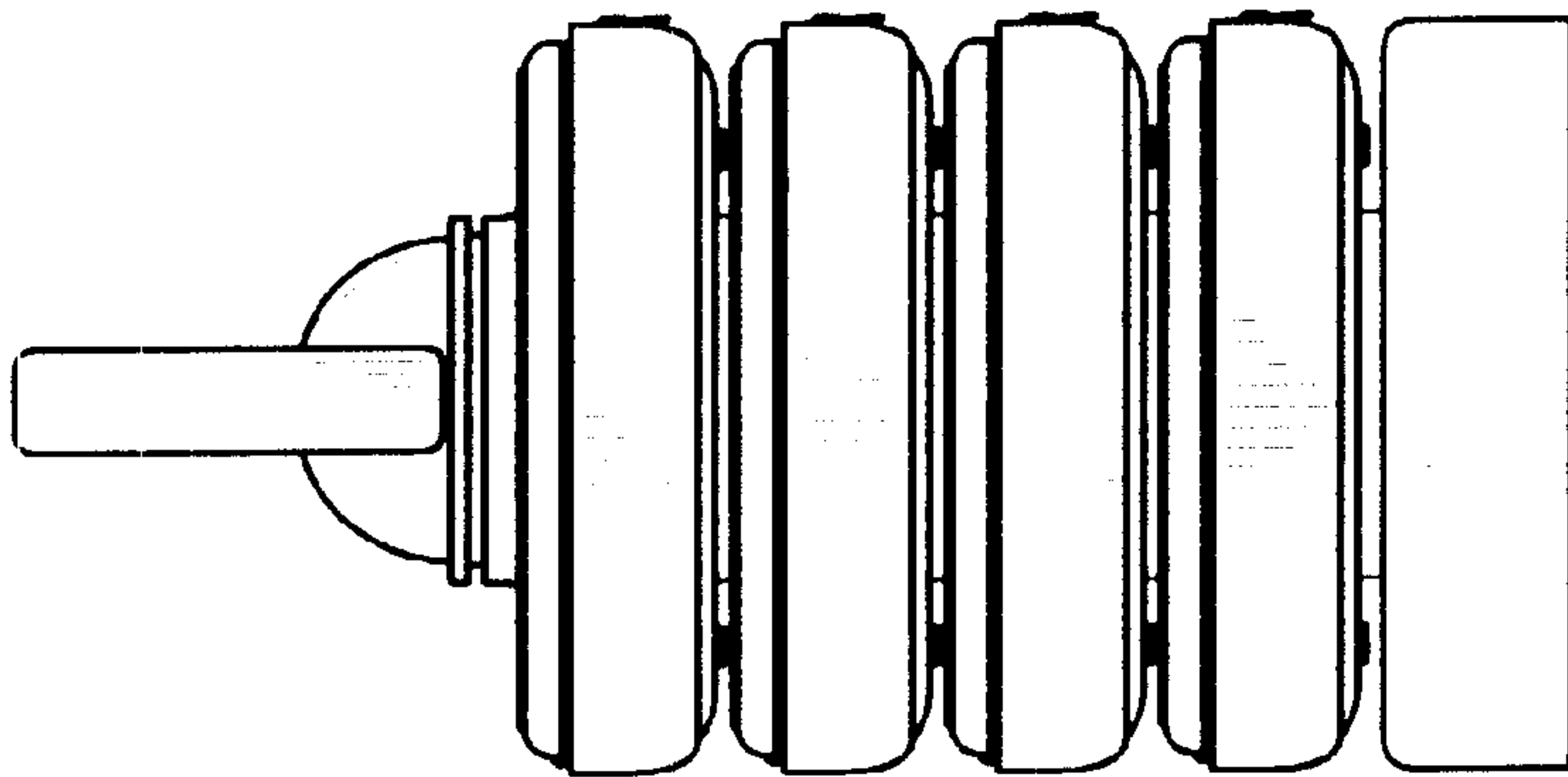


Fig. 4

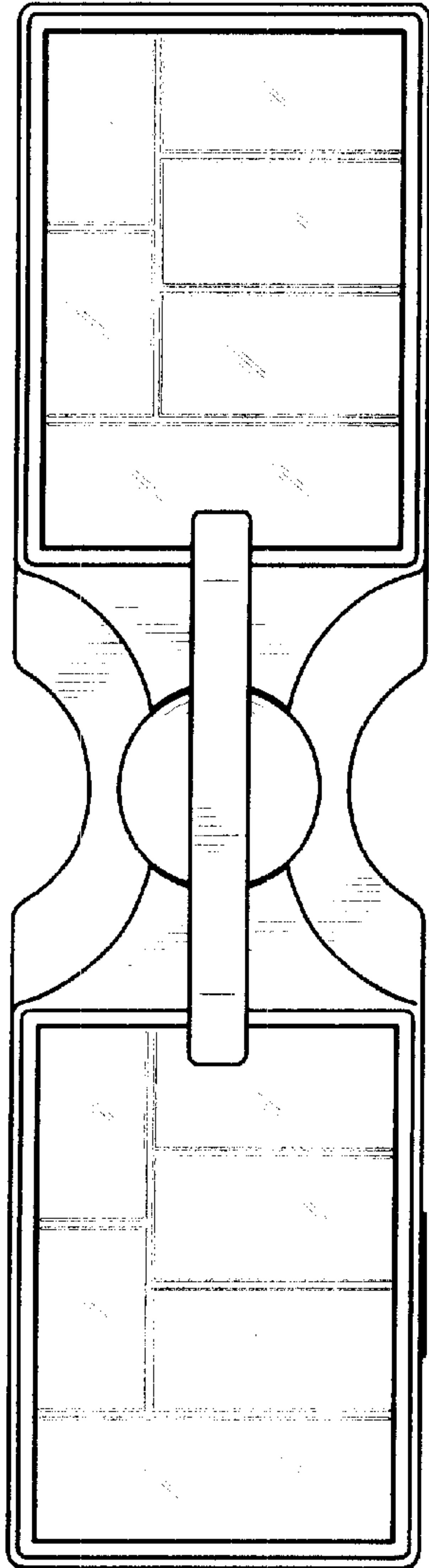


Fig. 6

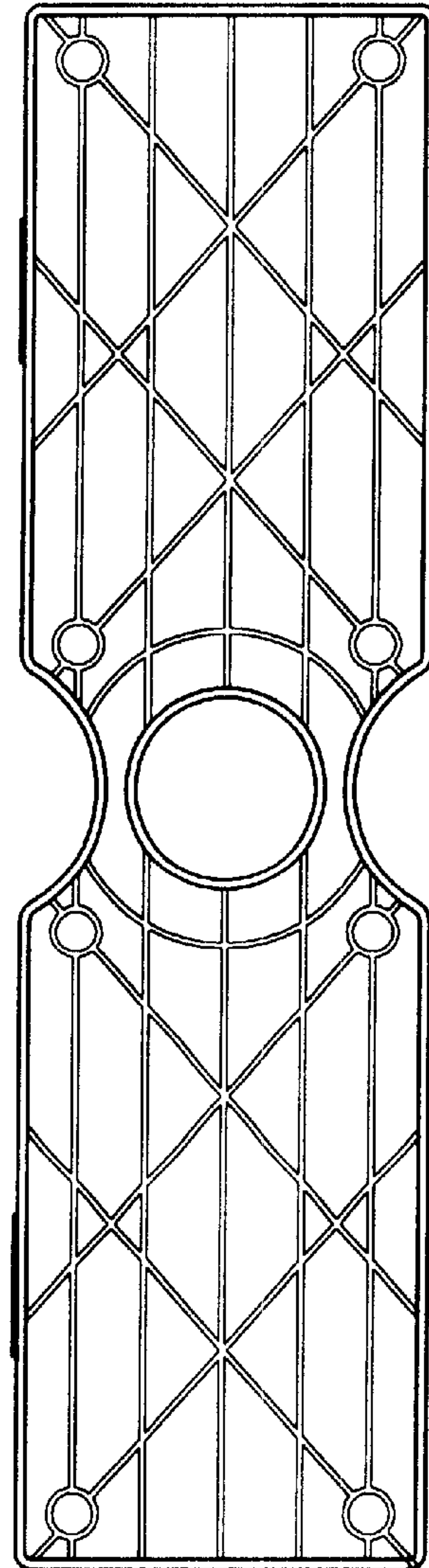


Fig. 7