



US00D471357S

(12) **United States Design Patent**
Hoppe et al.

(10) **Patent No.:** **US D471,357 S**

(45) **Date of Patent:** **** Mar. 11, 2003**

(54) **EYEGLASS HOLDER**

(76) Inventors: **Ulrich Hoppe**, Linsellesstrasse 74,
D-47877 Willich (DE); **Hans-Werner**
Korte-Jungermann, Bergstrasse 134,
D-41063 Mönchengladbach (DE)

(**) Term: **14 Years**

(21) Appl. No.: **29/155,909**

(22) Filed: **Feb. 19, 2002**

(30) **Foreign Application Priority Data**

Aug. 21, 2001 (DE) 4 01 07 688

(51) **LOC (7) Cl.** **03-01**

(52) **U.S. Cl.** **D3/266**

(58) **Field of Search** D3/215, 219, 264,
D3/265, 266; D9/314, 451; D16/130; D26/138;
24/3.3, 3.11, 36; 206/5, 5.1; 211/85.1; 248/205.3,
206.2, 229.6, 231.54, 309.1, 316.7, 902

(56) **References Cited**

U.S. PATENT DOCUMENTS

1,560,029 A * 11/1925 Erickson
2,467,251 A * 4/1949 Bowman
4,336,887 A * 6/1982 Dunne 211/85.1
D273,821 S * 5/1984 Bianchi D3/215
5,046,696 A * 9/1991 Lee 248/309.1

D321,199 S * 10/1991 Souisa et al. D3/266
D322,617 S * 12/1991 Kok D3/266
5,139,324 A * 8/1992 West 351/158
D361,202 S * 8/1995 Seach D3/266
D374,978 S * 10/1996 Ferdi D3/215
D393,098 S * 3/1998 Adams D26/138
5,842,613 A * 12/1998 White
6,131,865 A * 10/2000 Adams 248/206.2
D445,251 S * 7/2001 Newler D3/266

* cited by examiner

Primary Examiner—Celia Murphy

(74) *Attorney, Agent, or Firm*—Herbert Dubno

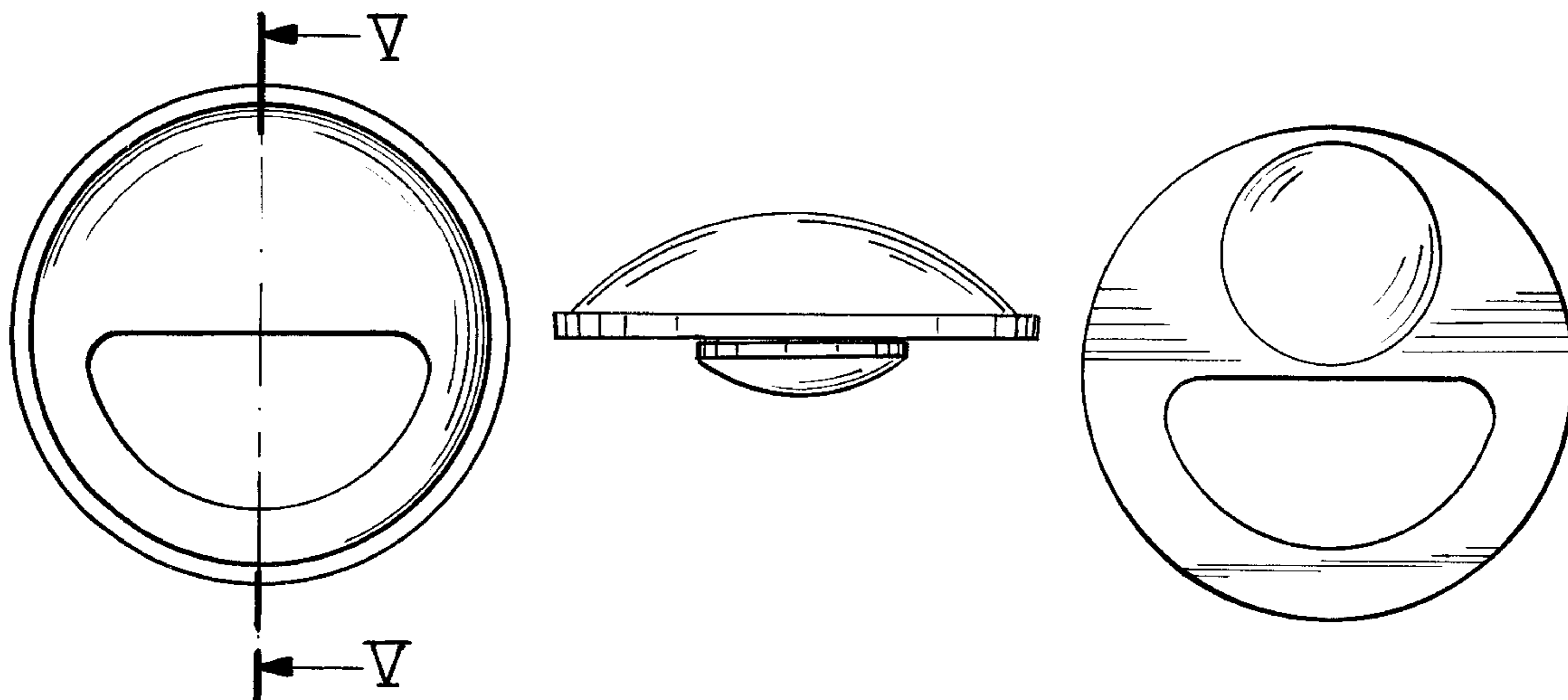
(57) **CLAIM**

The ornamental design for an eyeglass holder, as shown and described.

DESCRIPTION

FIG. 1 is a front elevational view of an eyeglass holder showing my new design;
FIG. 2 is a top view thereof;
FIG. 3 is a right side elevational view thereof, the left side being a mirror image;
FIG. 4 is a bottom plan view thereof;
FIG. 5 is a cross sectional view taken along line 5—5 of FIG. 1, the rear fastening button being removed; and,
FIG. 6 is a rear view thereof with the affixing button in place.

1 Claim, 2 Drawing Sheets



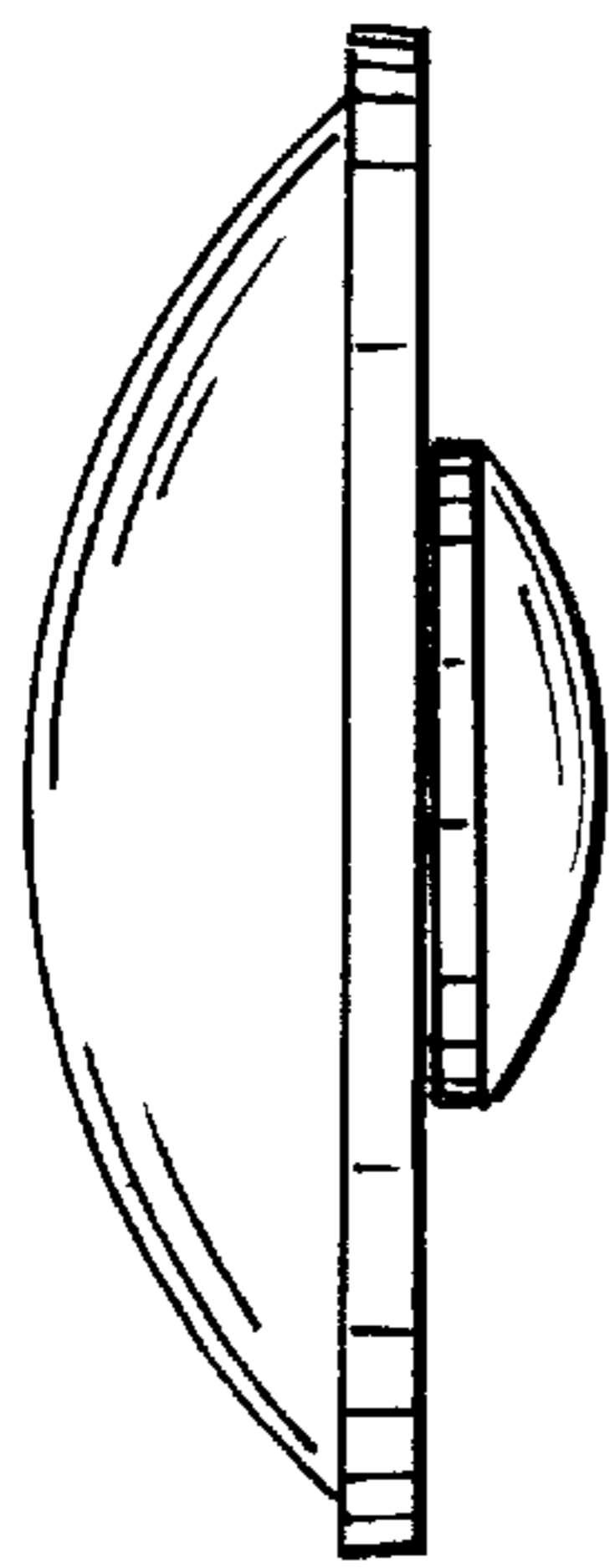


FIG. 2

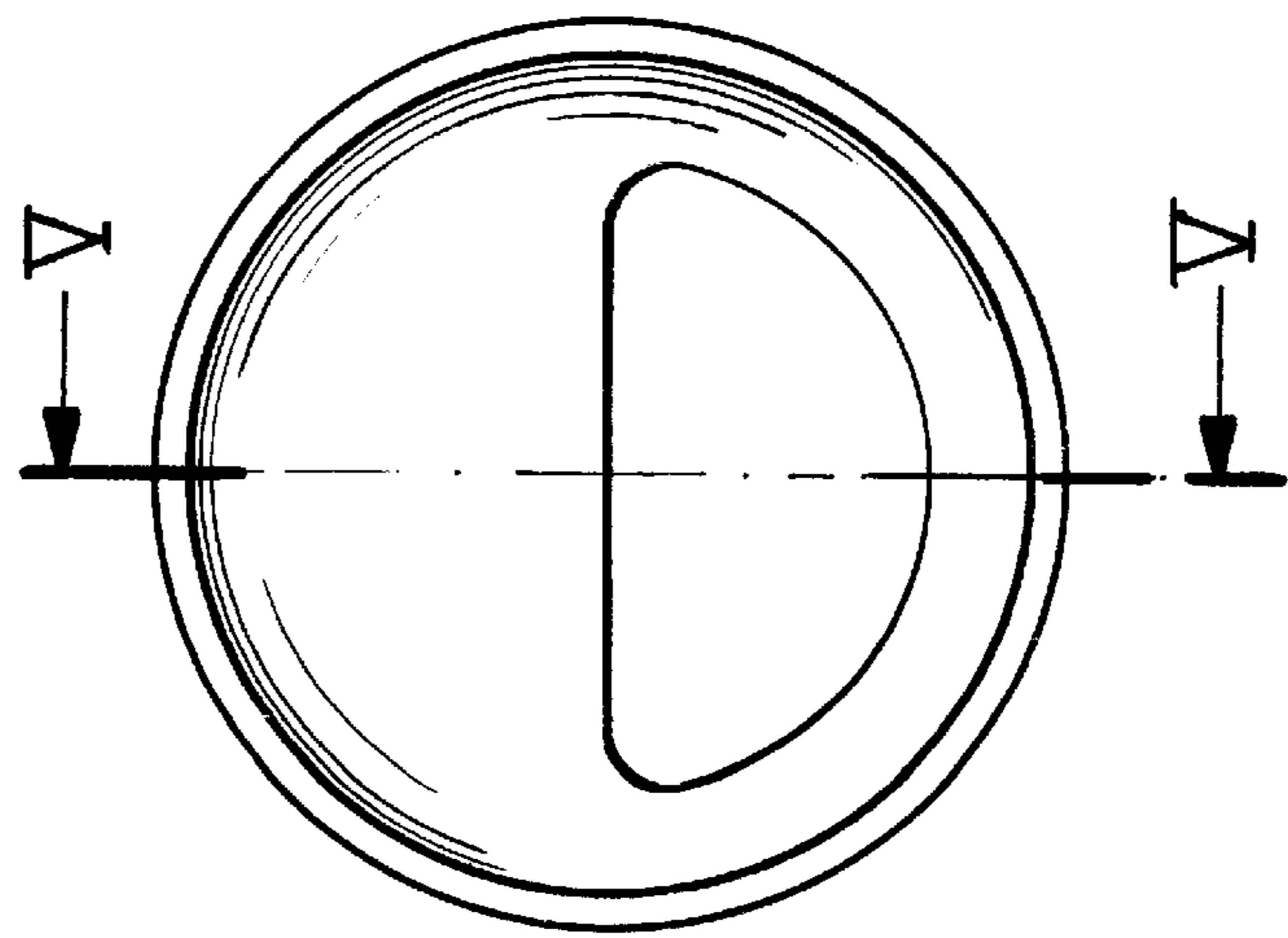


FIG. 1

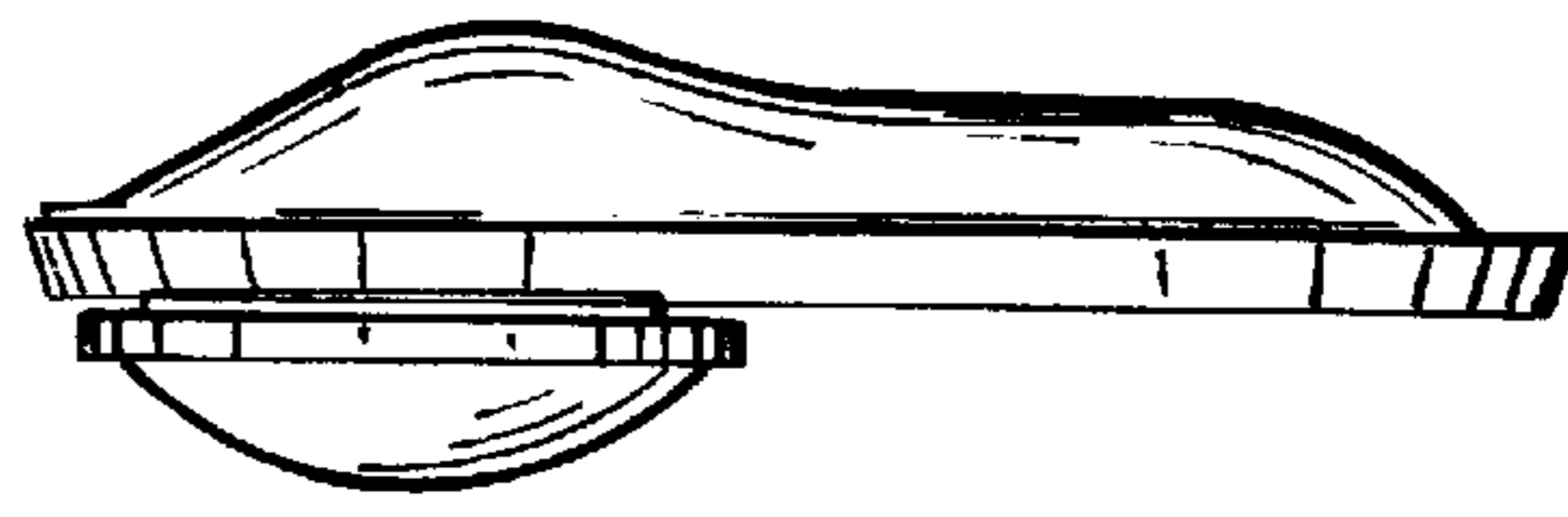


FIG. 3

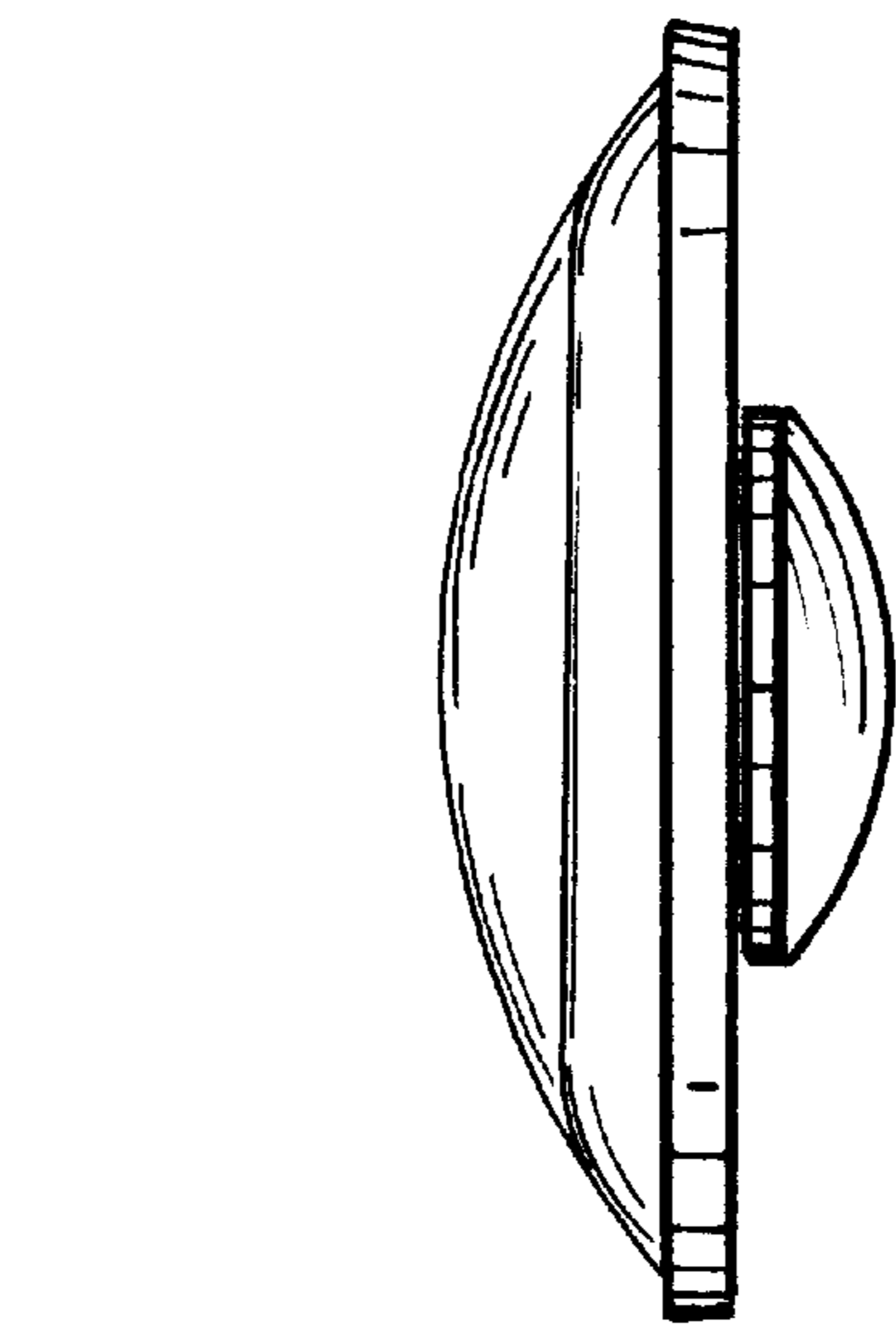


FIG. 4



FIG. 5

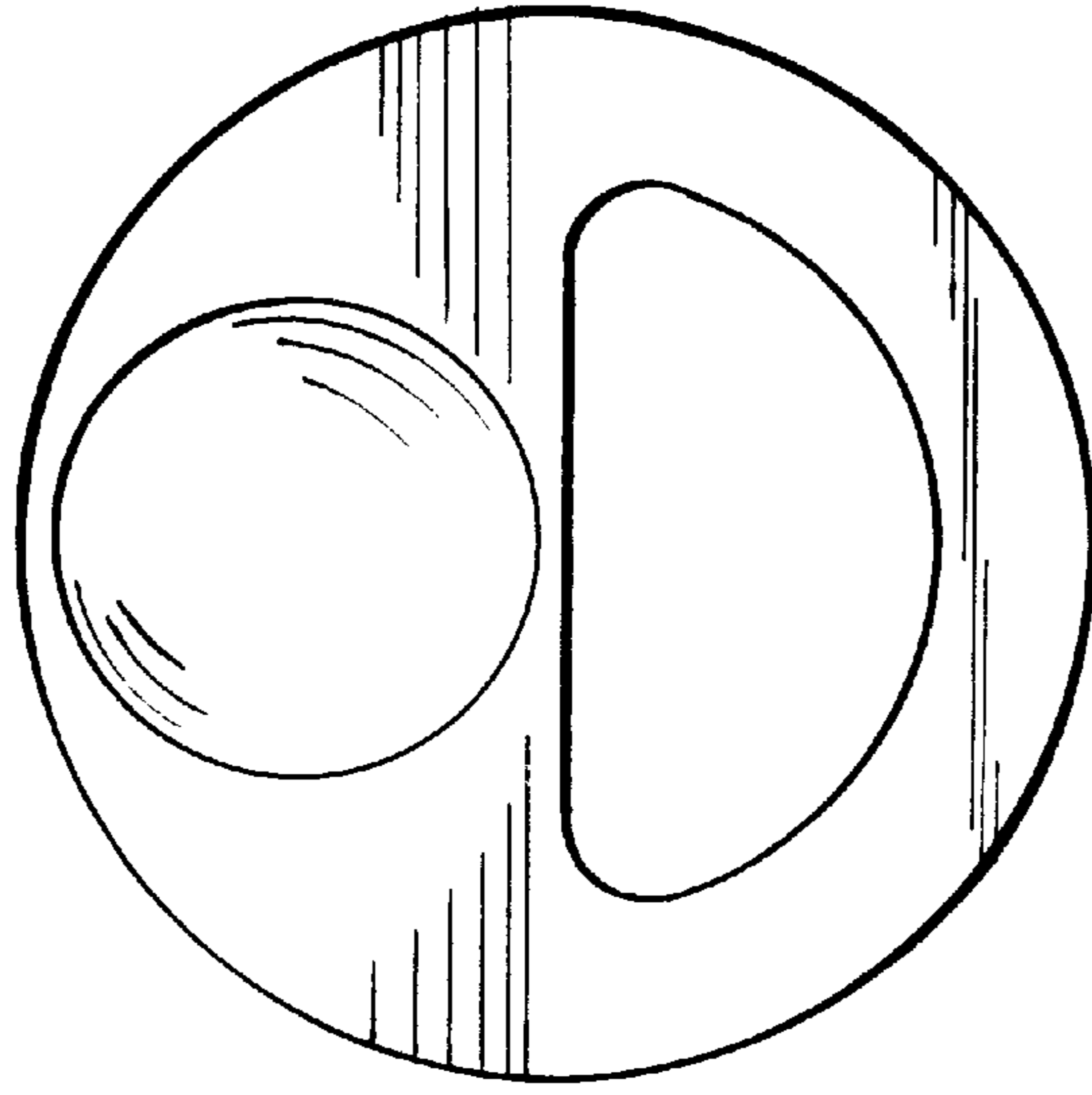


FIG. 6