



US00D471356S

(12) **United States Design Patent**  
**Eaton**

(10) **Patent No.:** **US D471,356 S**

(45) **Date of Patent:** **\*\* Mar. 11, 2003**

(54) **CONTACT LENS CASE**

(75) Inventor: **David Bron Eaton**, Memphis, TN (US)

(73) Assignee: **Eaton Medicals Corporation**,  
Memphis, TN (US)

(\*\*) Term: **14 Years**

(21) Appl. No.: **29/156,952**

(22) Filed: **Mar. 11, 2002**

(51) **LOC (7) Cl.** ..... **03-01**

(52) **U.S. Cl.** ..... **D3/264; D3/263**

(58) **Field of Search** ..... D3/215, 219, 225,  
D3/243, 253, 264, 265, 266; D9/306, 337,  
341, 416, 420-426, 432; 134/6; 206/308.1,  
5, 5.1, 6, 232, 425, 497; 229/37 R, 51 C,  
112, 148, 150, 160.2, 223, 225, 232, 240

(56) **References Cited**

**U.S. PATENT DOCUMENTS**

3,741,377	A	*	6/1973	Krellen	.....	206/5
4,091,917	A	*	5/1978	Clawson et al.	.....	206/5.1
4,925,017	A	*	5/1990	Jessen	.....	206/5.1
4,942,959	A	*	7/1990	Sauber et al.	.....	206/5.1
D317,527	S	*	6/1991	Bonelli	.....	D3/264
5,383,550	A	*	1/1995	Tsao	.....	206/5.1
5,573,108	A	*	11/1996	Hamilton et al.	.....	206/5.1
5,891,258	A	*	4/1999	Pankow	.....	134/6
6,343,399	B1	*	2/2002	Pankow	.....	15/104.92
6,382,409	B1	*	5/2002	Scala	.....	206/5.1
2002/0069896	A1	*	6/2002	Pankow	.....	134/6

\* cited by examiner

*Primary Examiner*—Celia Murphy

(74) *Attorney, Agent, or Firm*—Walker, McKenzie & Walker PC

(57) **CLAIM**

The ornamental design for a contact lens case, as shown and described.

**DESCRIPTION**

FIG. 1 is a top plan view of a contact lens case, showing a preferred embodiment of my new design.

FIG. 2 is a right side elevation of the contact lens case of FIG. 1, the left side elevation being substantially a mirror image thereof.

FIG. 3 is a front elevation of the contact lens case of FIG. 1.

FIG. 4 is a rear elevation of the contact lens case of FIG. 1. FIG. 5 is a sectional view substantially as taken on line 5—5 of FIG. 1 on an enlarged scale, to more clearly show certain ornamental features of the contact lens case of FIG. 1.

FIG. 6 is a sectional view substantially as taken on line 6—6 of FIG. 1 on an enlarged scale, to more clearly show certain ornamental features of the contact lens case of FIG. 1.

FIG. 7 is a perspective view of the contact lens case of FIG. 1, taken from the front, right; and,

FIG. 8 is a perspective view of the contact lens case of FIG. 1, taken from the rear, left.

The bottom of the contact lens case forms no part of the claimed design. Identifying indicia which forms no part of the claimed design is shown in broken lines in FIGS. 1, 7 and 8.

**1 Claim, 2 Drawing Sheets**

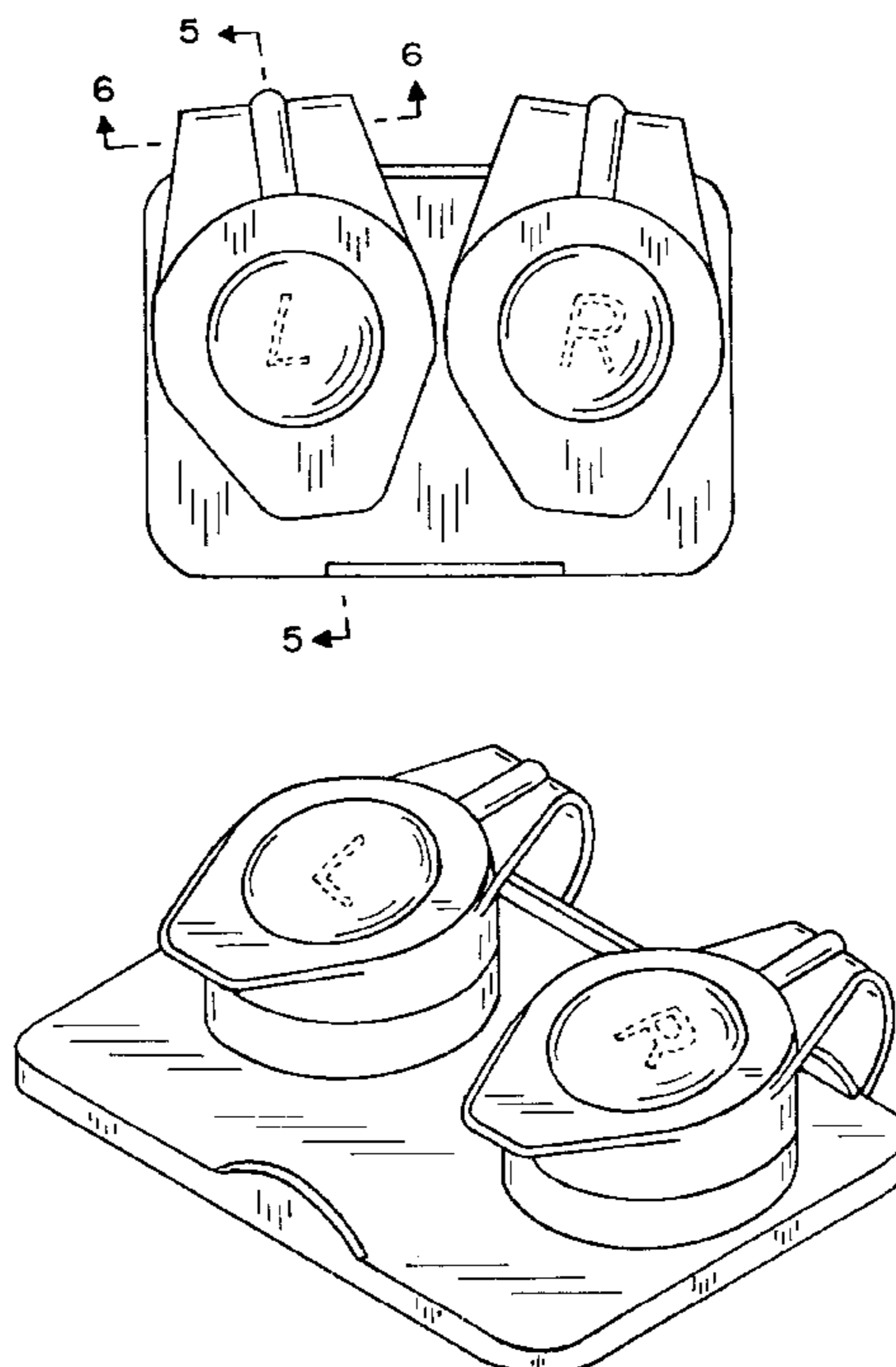


FIG. 1

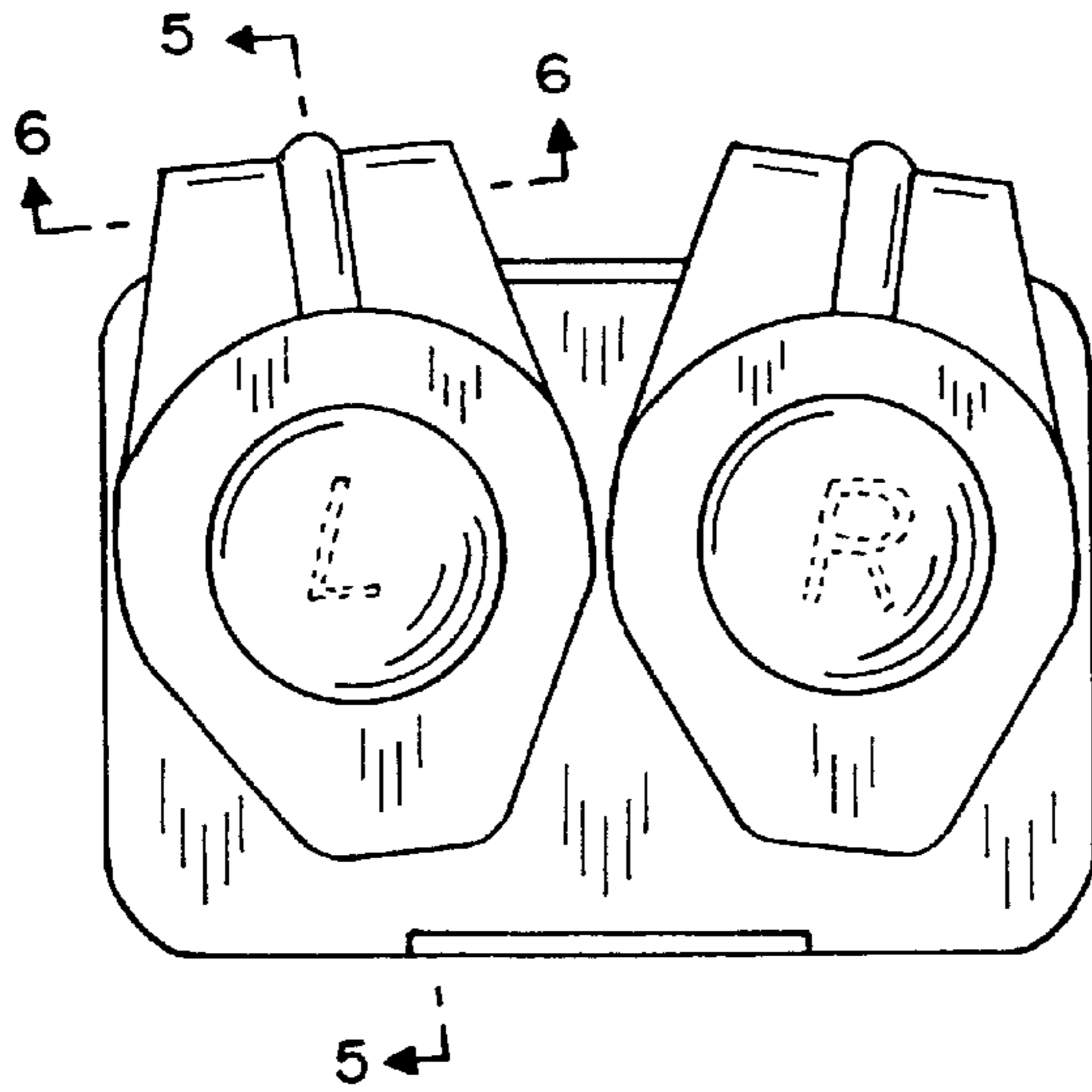


FIG. 2

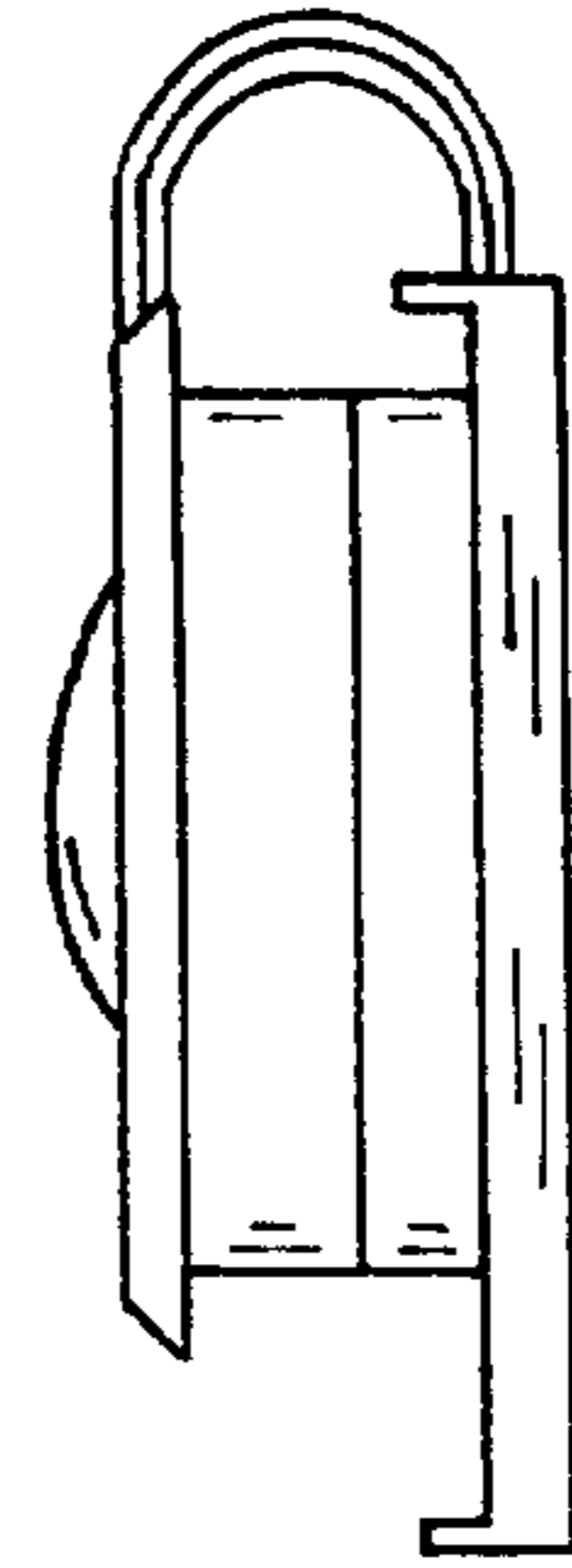


FIG. 3

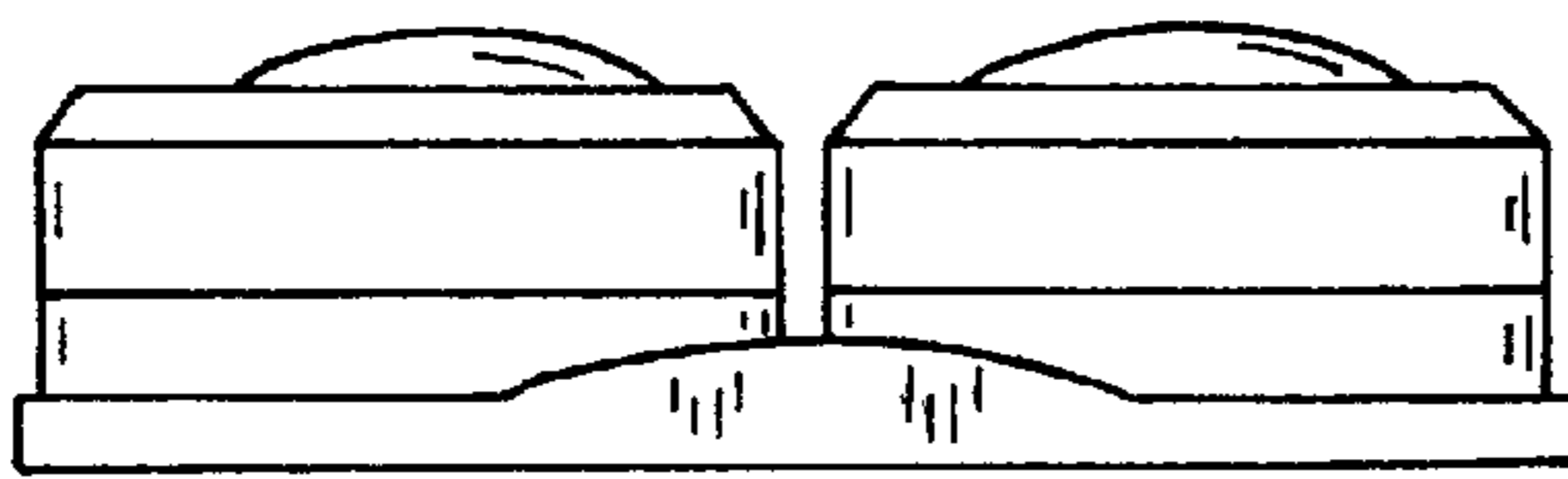


FIG. 5

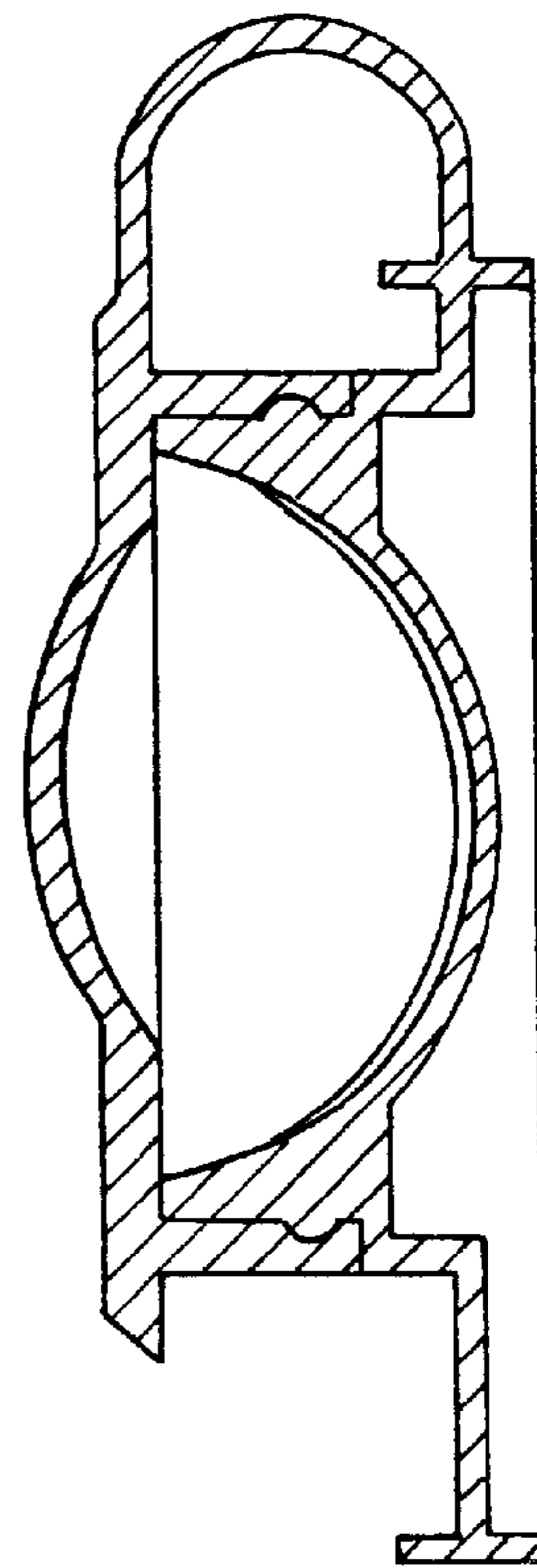


FIG. 4

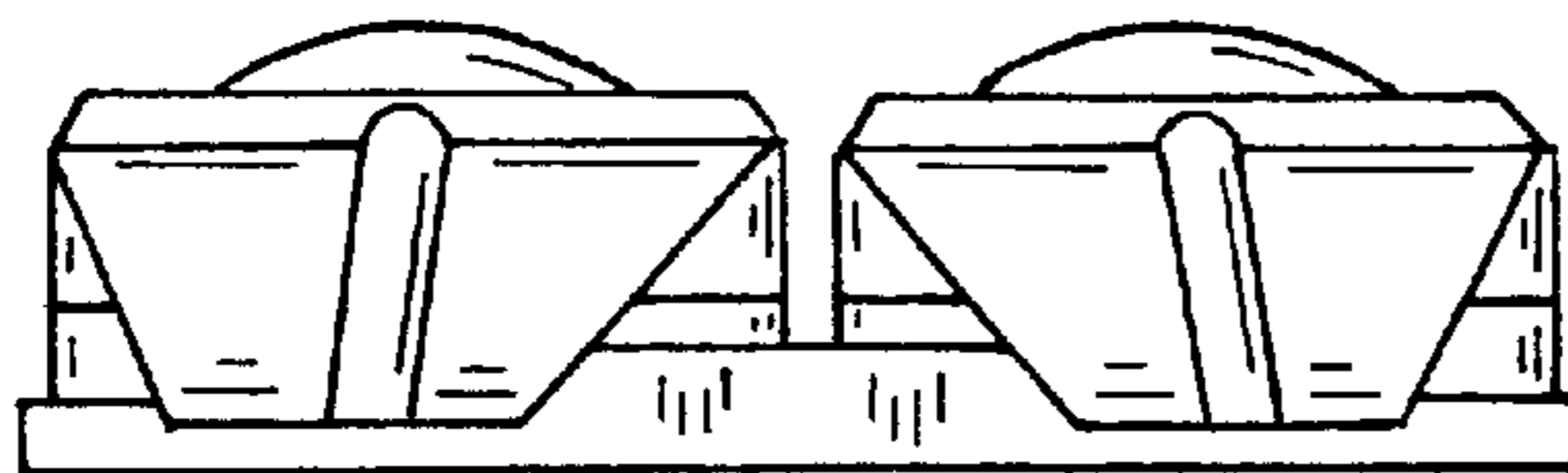


FIG. 6



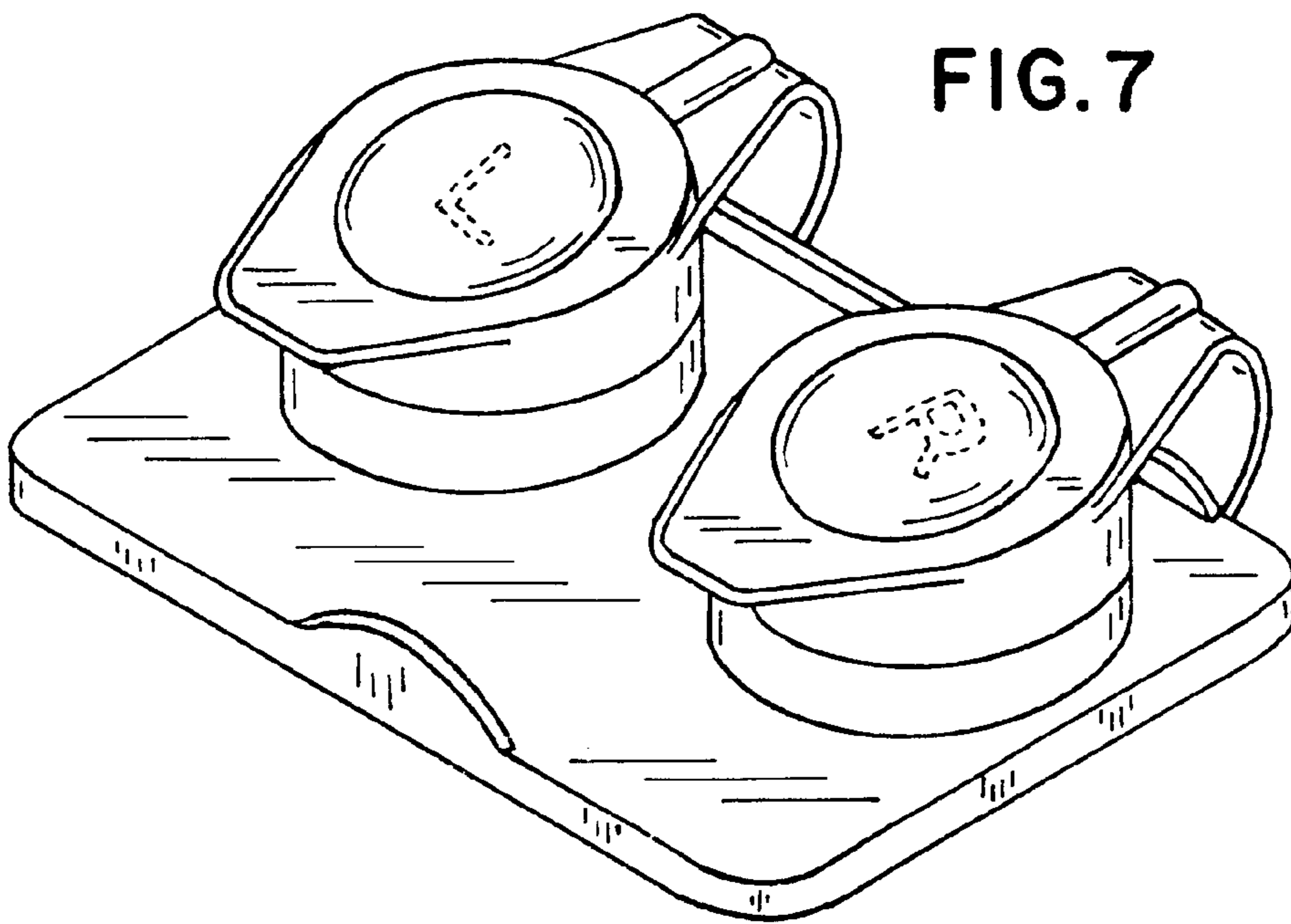


FIG. 7

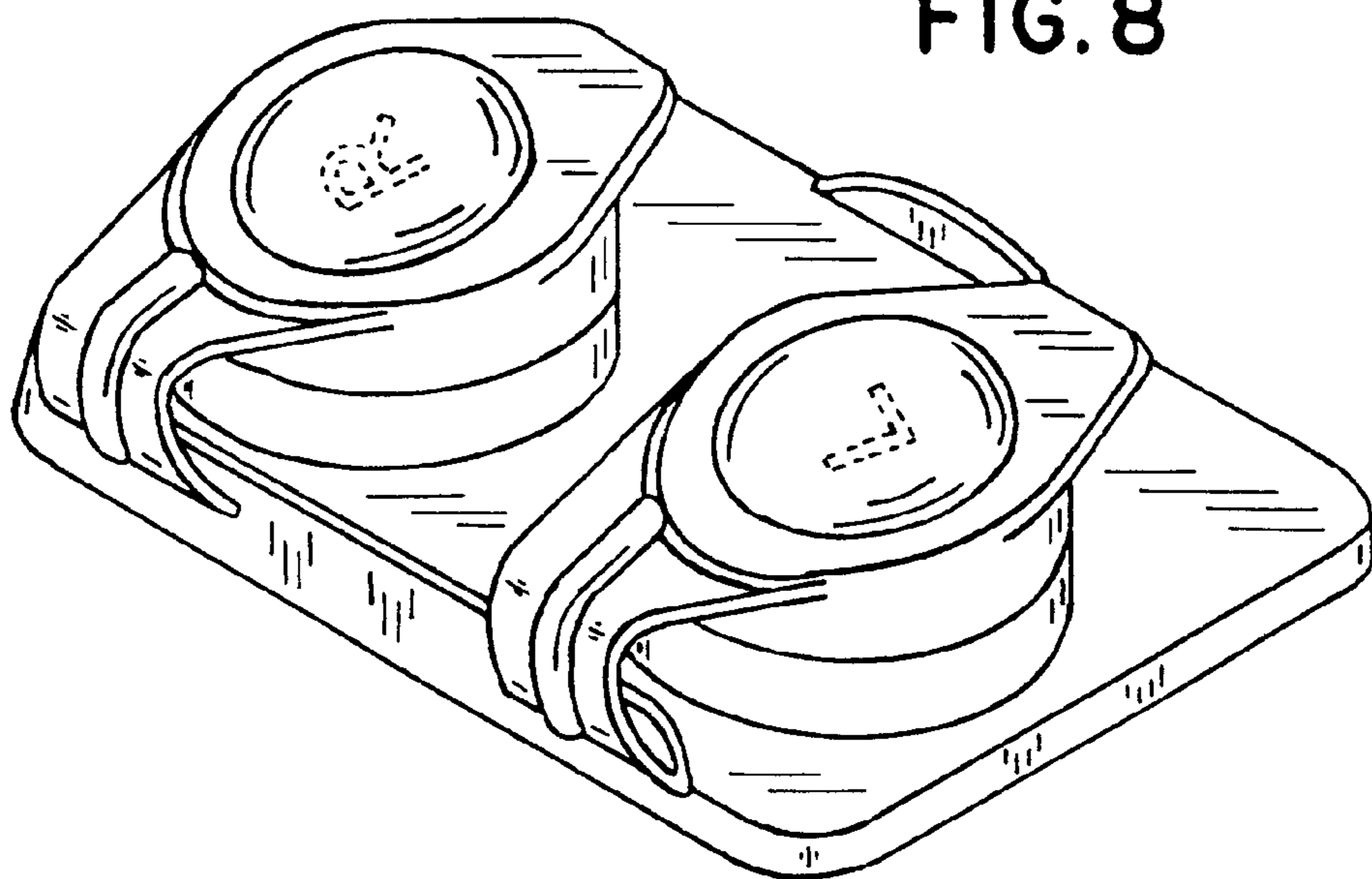


FIG. 8