



US00D471355S

(12) **United States Design Patent**
Sanderson et al.

(10) **Patent No.:** **US D471,355 S**

(45) **Date of Patent:** **** Mar. 11, 2003**

(54) **GOLF CLUB TRAVEL BAG**
(75) Inventors: **David B. Sanderson**, Villa Park, CA
(US); **Teyrrie R. Garcia**, Orange, CA
(US)

5,810,064 A 9/1998 Sanderson et al. 150/159
5,927,361 A 7/1999 Sanderson et al. 150/159
D421,838 S * 3/2000 Bradshaw et al. D3/255
6,148,999 A * 11/2000 Olson 150/159
D436,439 S * 1/2001 Dennesen et al. D3/255

(73) Assignee: **SKB Corporation**, Orange, CA (US)

FOREIGN PATENT DOCUMENTS

(**) Term: **14 Years**

JP 58-14244 2/1983
JP 63-8067 1/1988
JP 3006541 11/1994

(21) Appl. No.: **29/145,498**

* cited by examiner

(22) Filed: **Jul. 23, 2001**

Primary Examiner—Philip S. Hyder

(51) **LOC (7) Cl.** **03-01**

(52) **U.S. Cl.** **D3/255**

(58) **Field of Search** D3/254, 255, 279;
206/315.3, 315.4, 315.5, 315.6, 315.7, 315.8;
150/159

(57) **CLAIM**

The ornamental design for a golf club travel bag, substantially as shown and described.

(56) **References Cited**

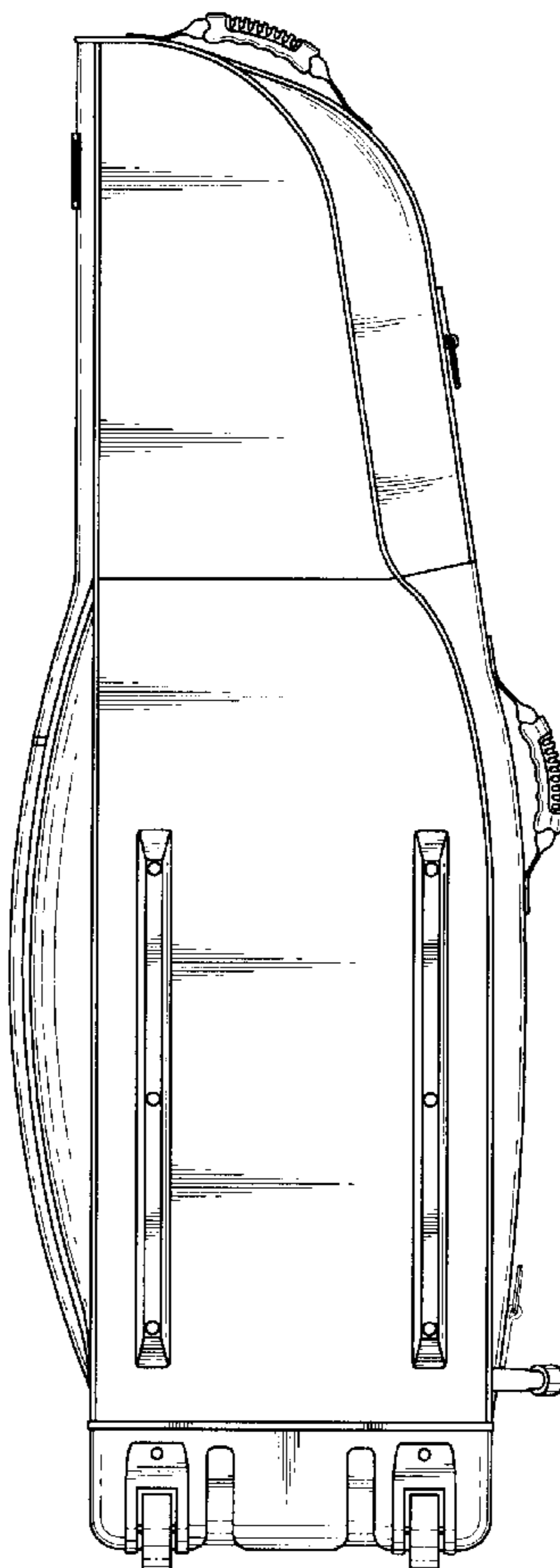
DESCRIPTION

U.S. PATENT DOCUMENTS

D278,479 S * 4/1985 Bevilacqua et al. D3/255
4,951,818 A 8/1990 Johnson 206/315.1
5,220,950 A * 6/1993 Cordasco 150/159
D349,402 S * 8/1994 Fiore D3/255
5,515,897 A 5/1996 Fehan 206/315.4
D376,905 S * 12/1996 Mori et al. D3/255
D398,149 S 9/1998 Sanderson et al. D3/255

FIG. 1 is a first side elevational view of the design,
FIG. 2 is a first end elevational end view thereof,
FIG. 3 is a top view,
FIG. 4 is an elevational view of the second opposite side,
FIG. 5 is an elevational view of the second opposite end;
and,
FIG. 6 is a bottom view.

1 Claim, 2 Drawing Sheets



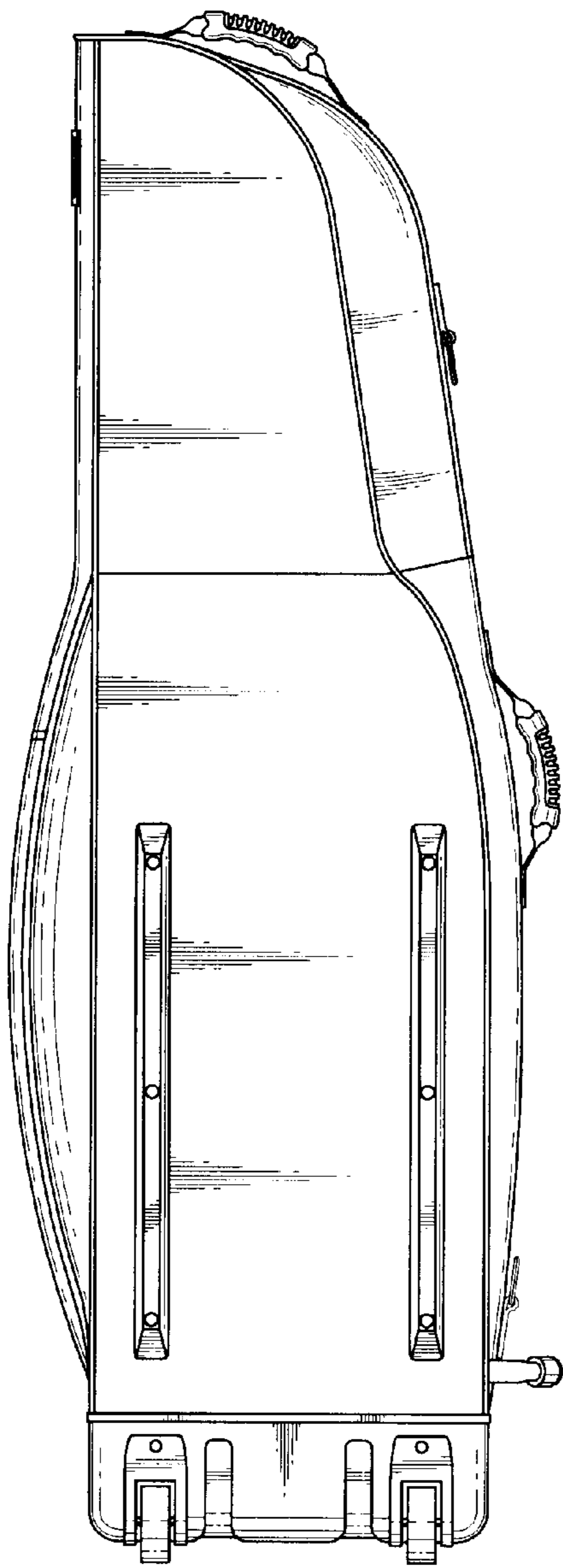


FIG. 1

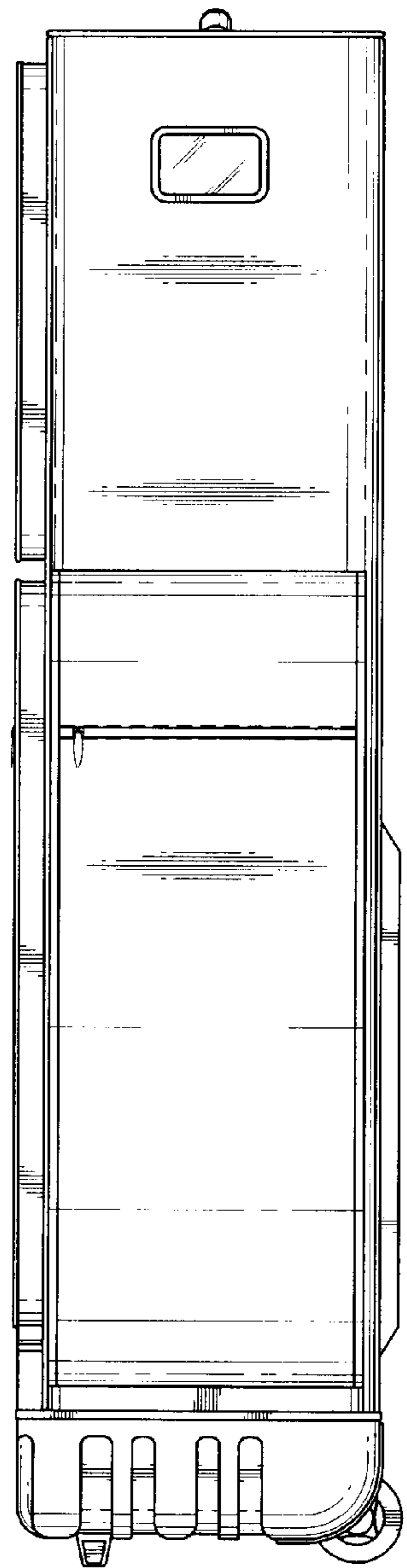


FIG. 2

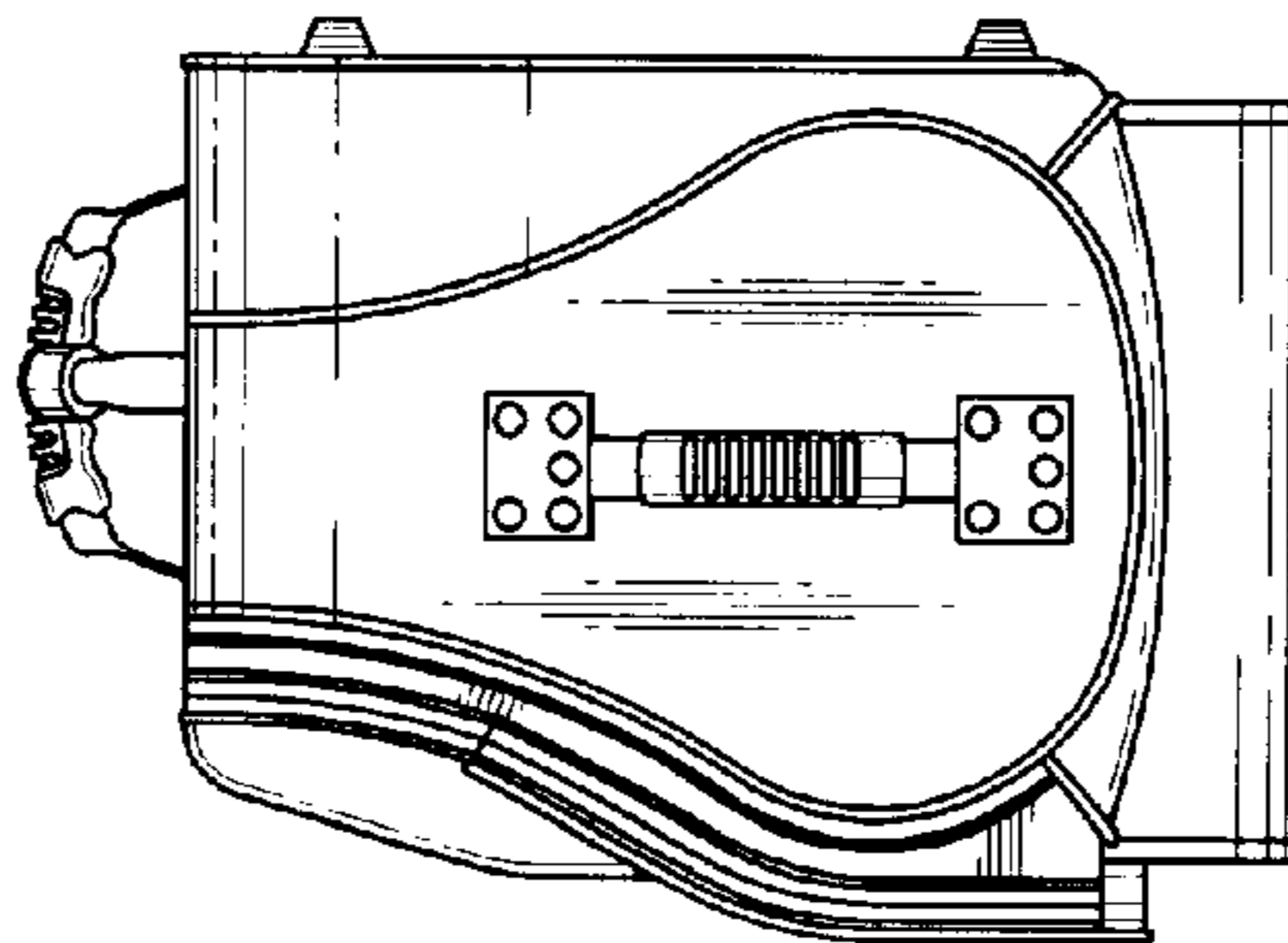


FIG. 3

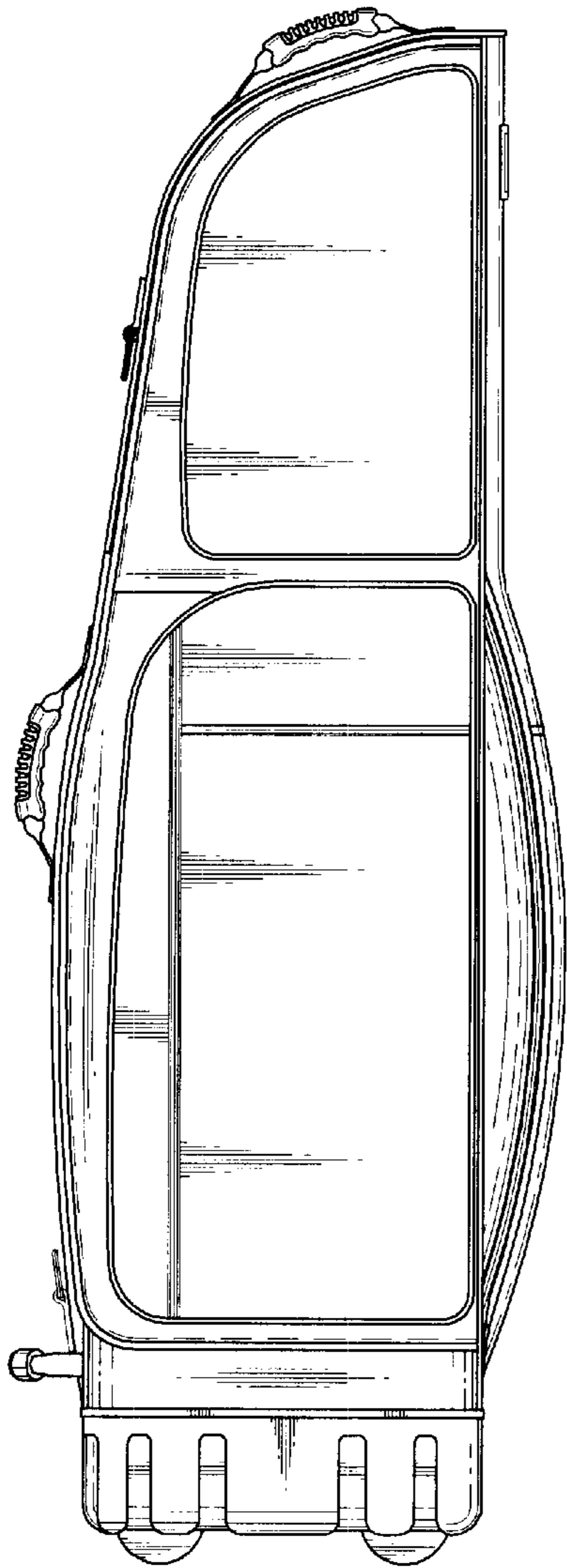


FIG. 4

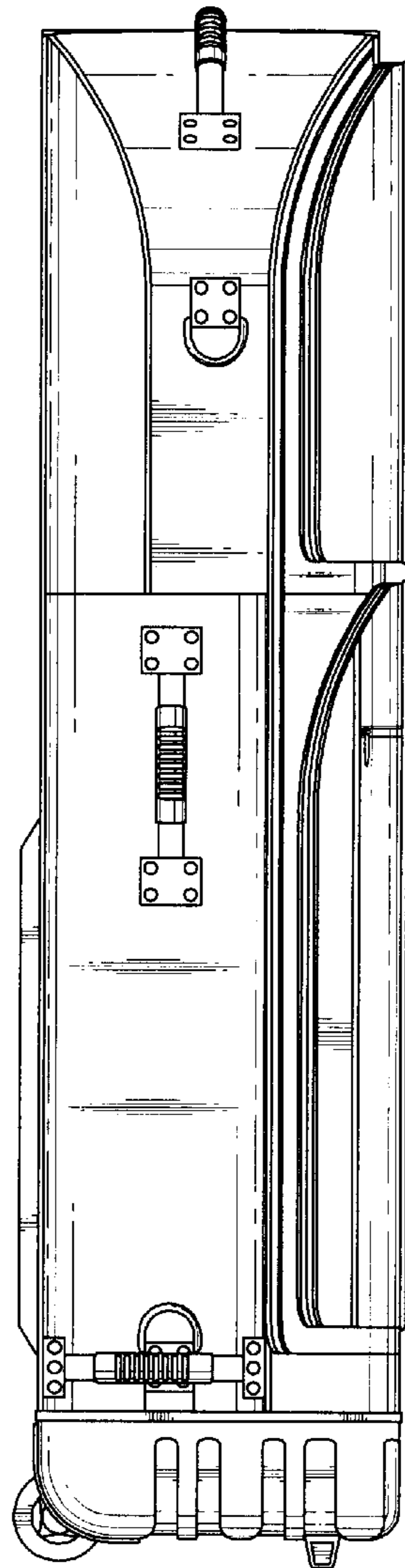


FIG. 5

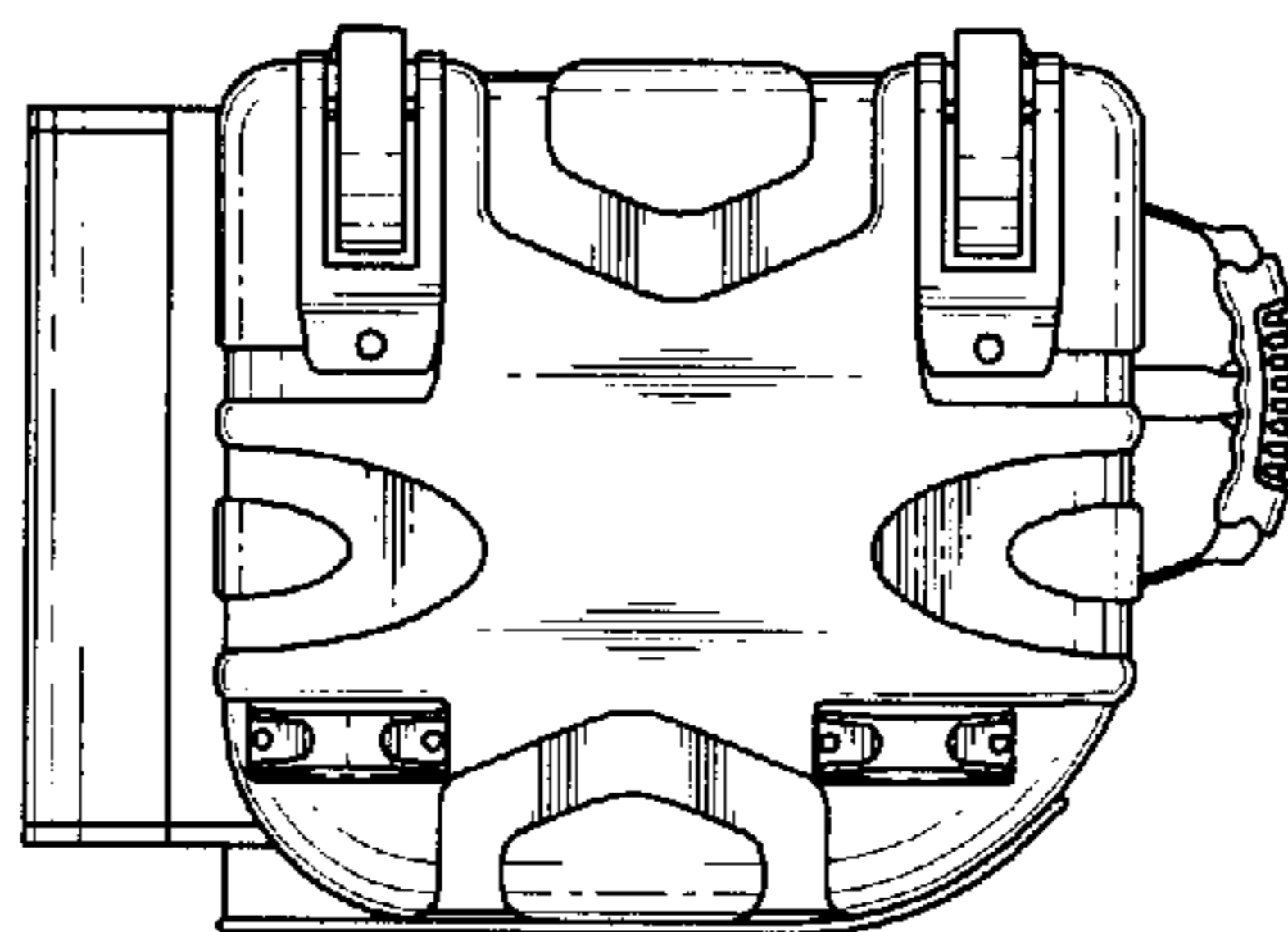


FIG. 6