



US00D471352S

(12) **United States Design Patent**  
**Shetler et al.**

(10) **Patent No.:** **US D471,352 S**

(45) **Date of Patent:** **\*\* Mar. 11, 2003**

(54) **HOLSTER**

(75) Inventors: **Lance Shetler**, Downey, CA (US);  
**Sheldon B. Moberg**, Granada Hills, CA (US); **Dave Kimball**, Irvine, CA (US)

(73) Assignee: **Medtronic MiniMed, Inc.**, Northridge, CA (US)

(\*\*) Term: **14 Years**

(21) Appl. No.: **29/151,861**

(22) Filed: **Dec. 7, 2001**

(51) **LOC (7) Cl.** ..... **03-01**

(52) **U.S. Cl.** ..... **D3/215**

(58) **Field of Search** ..... D3/218, 215, 219;  
D14/250, 251, 138, 114; 224/196, 197,  
269, 666, 678, 930, 271, 670; 379/446,  
426; 417/234

(56) **References Cited**

**U.S. PATENT DOCUMENTS**

- D348,355 S \* 7/1994 Scheid et al. .... D3/218
- 5,370,622 A \* 12/1994 Livingston et al. .... 417/234
- 5,472,317 A 12/1995 Field et al. .... 417/234
- D366,957 S \* 2/1996 Scheid et al. .... D3/218

- D409,374 S \* 5/1999 Laba et al. .... D3/215
- D418,119 S \* 12/1999 Rowell ..... D14/114
- D457,308 S \* 5/2002 Infanti ..... D3/218

\* cited by examiner

*Primary Examiner*—Catherine R. Oliver

(74) *Attorney, Agent, or Firm*—Foley & Lardner

(57) **CLAIM**

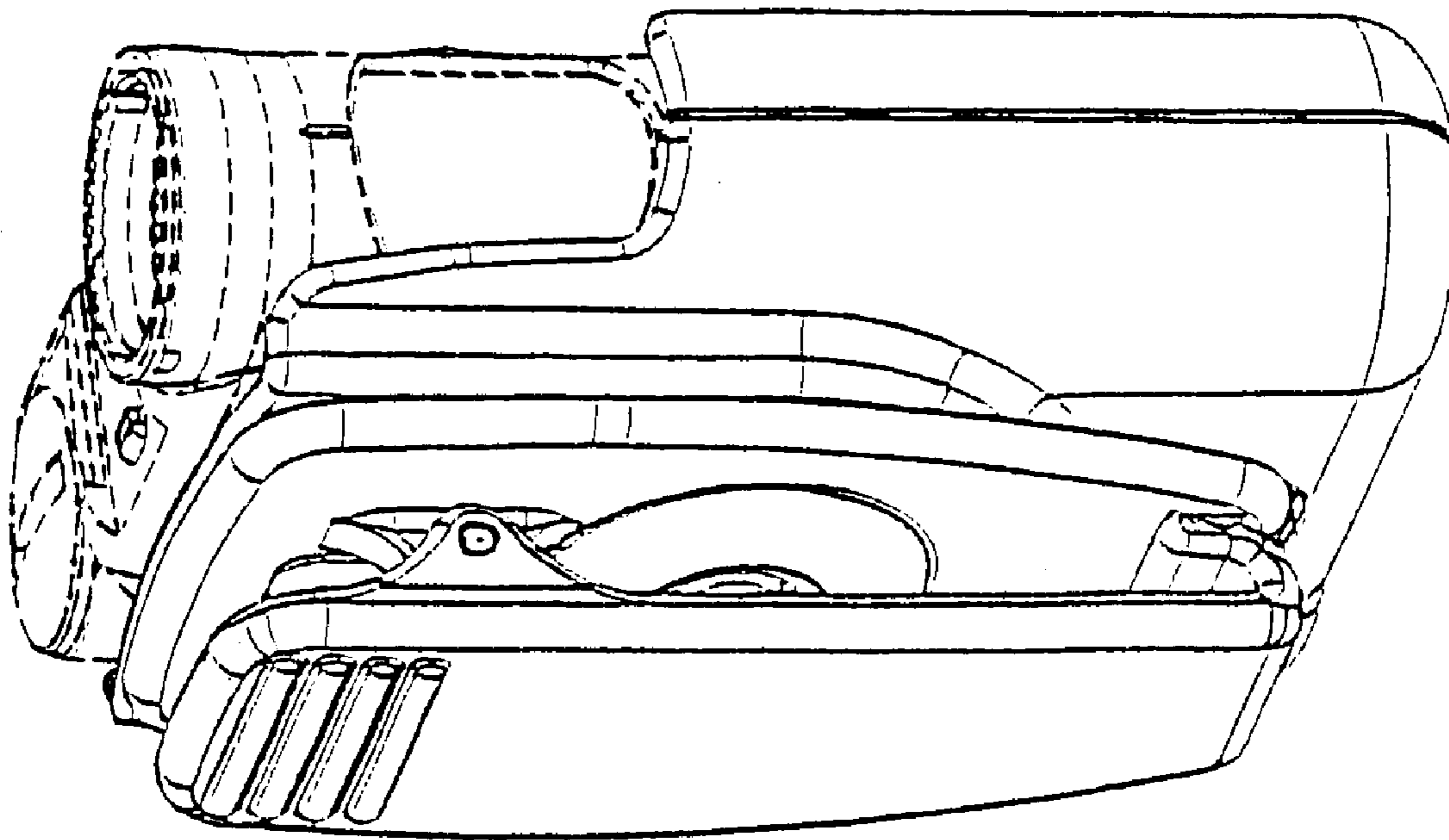
The ornamental design for a holster, as shown and described.

**DESCRIPTION**

FIG. 1 is a left and rear perspective view of the holster holding a medical infusion pump (shown in broken lines). FIG. 2 is a rear elevation view thereof. FIG. 3 is a left side view thereof. FIG. 4 is a bottom plan view thereof. FIG. 5 is a top plan view thereof. FIG. 6 is a right side view thereof. FIG. 7 is a front elevation view thereof; and, FIG. 8 is a front elevation view thereof without the medical infusion pump.

The broken line showing of environment in the drawings is for illustrative purposes only and forms no part of the claimed design.

**1 Claim, 4 Drawing Sheets**



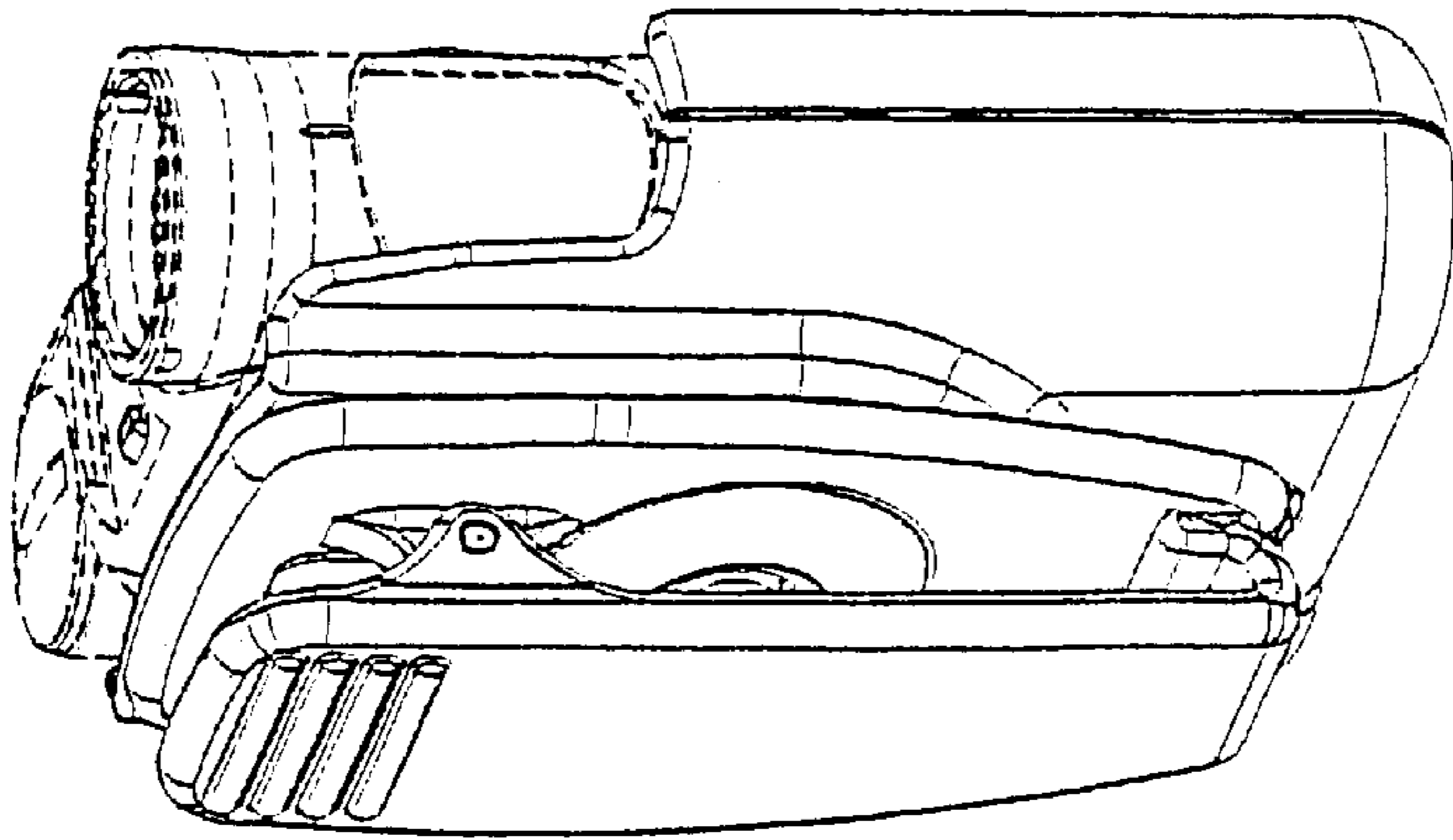


Fig. 1

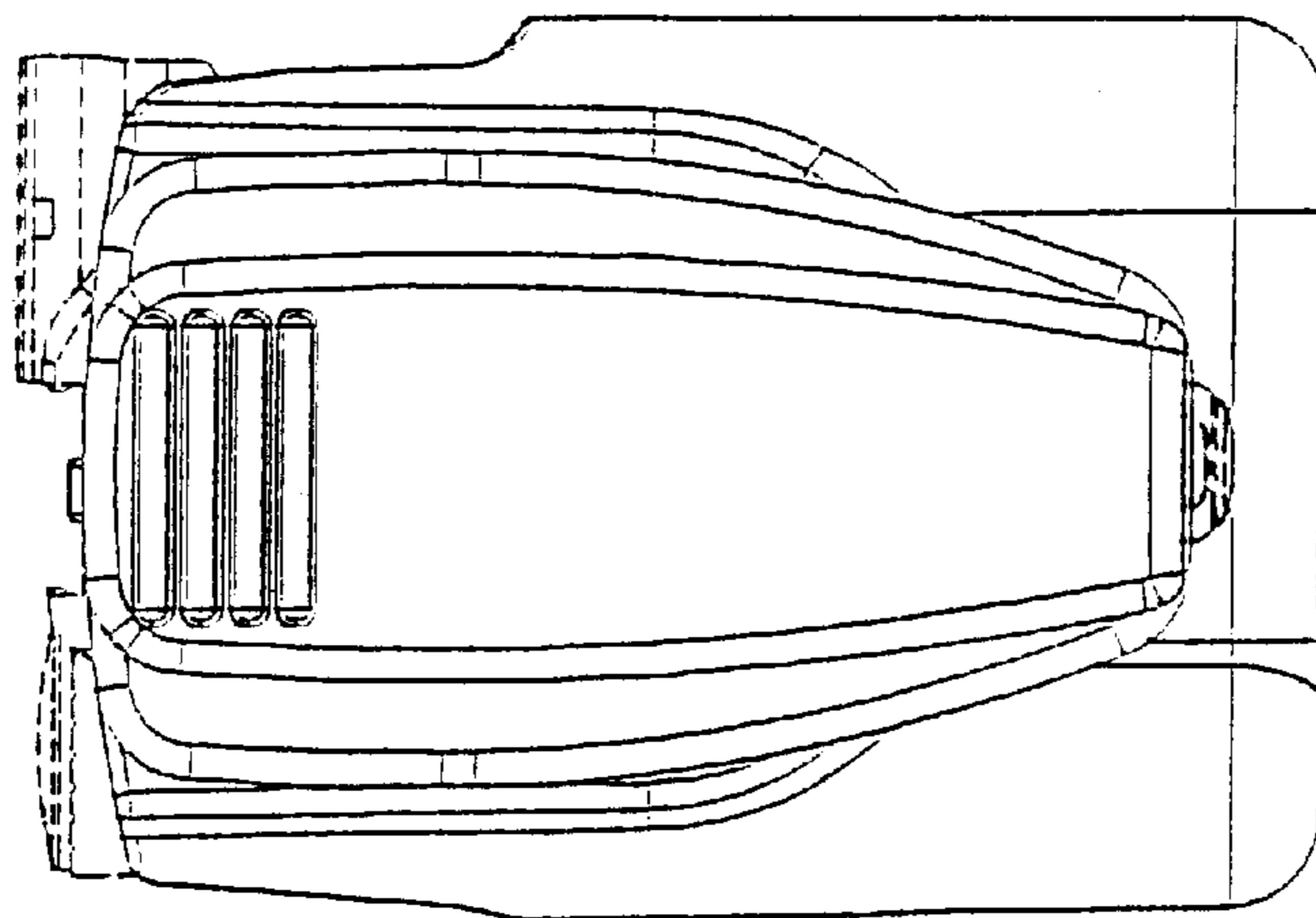


Fig. 2

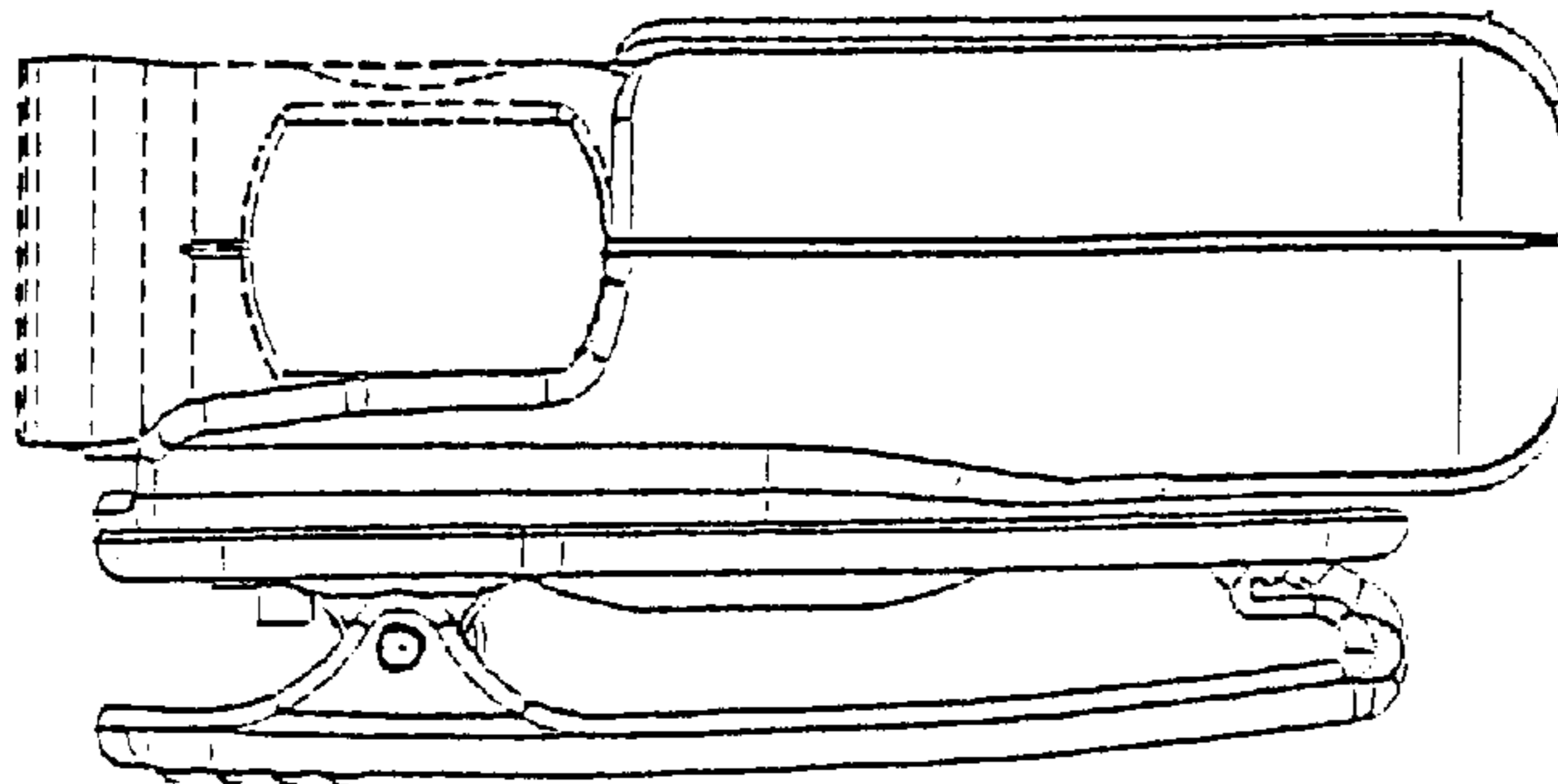


Fig. 3

Fig. 4

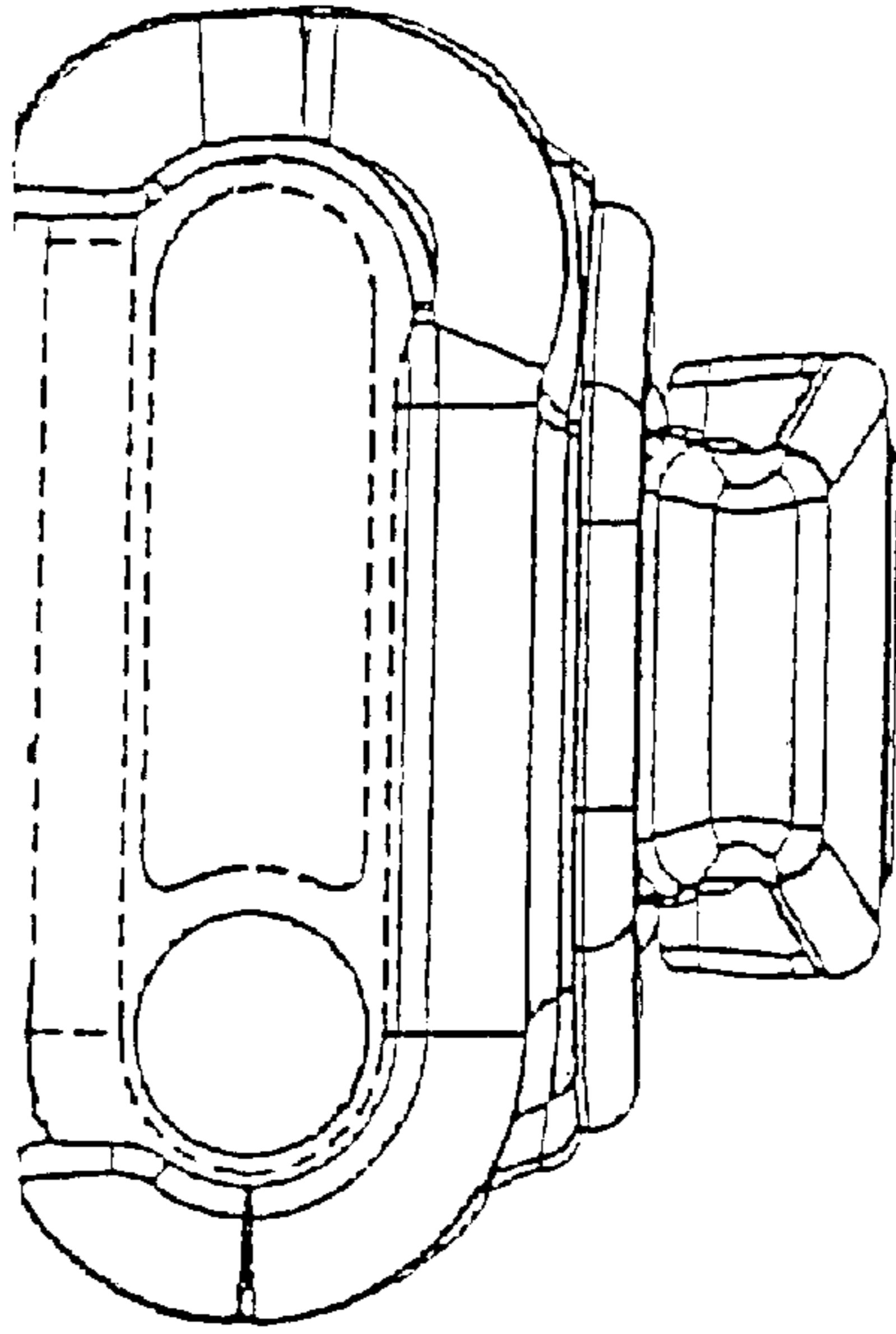


Fig. 5

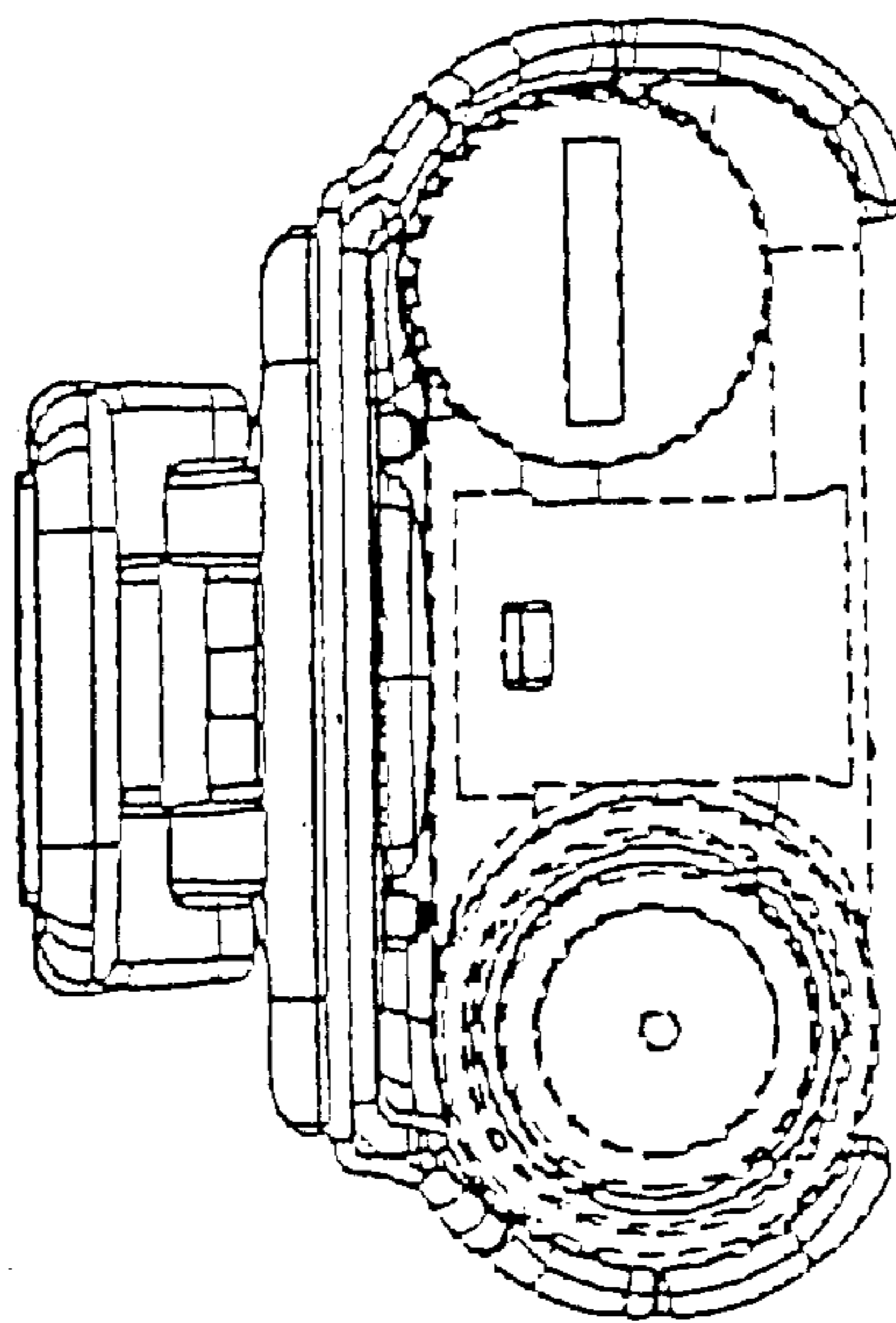


Fig. 7

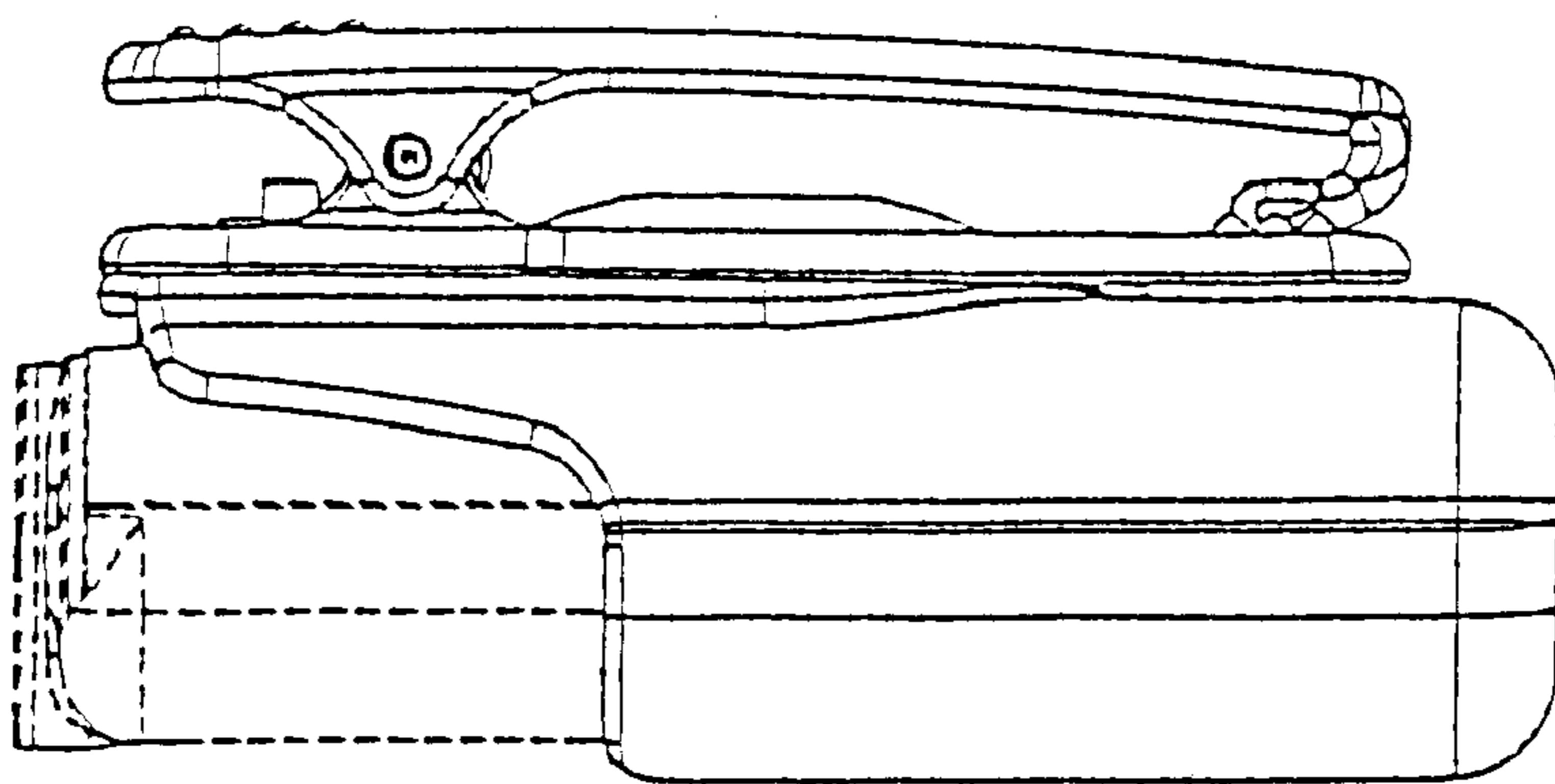
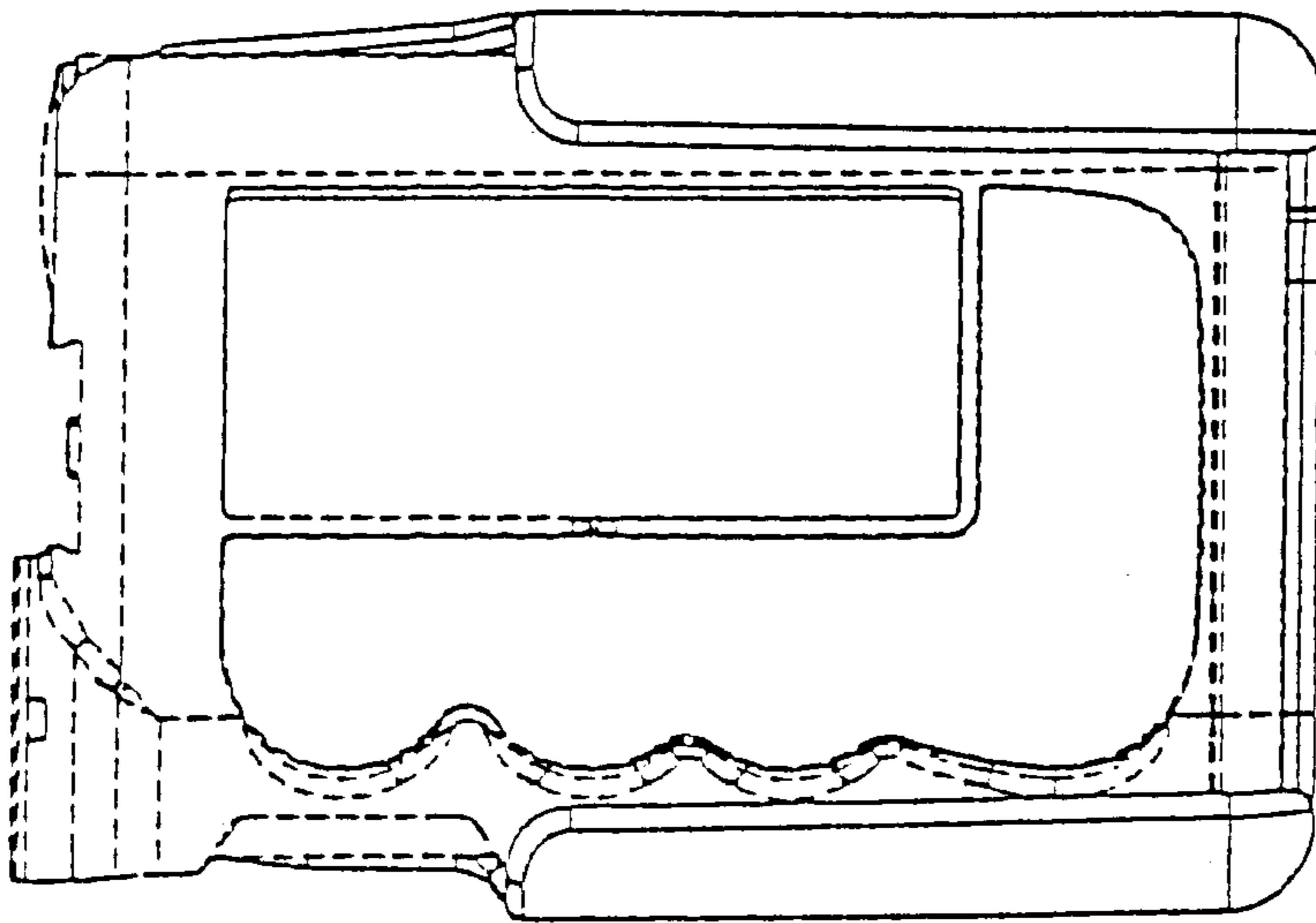


Fig. 6

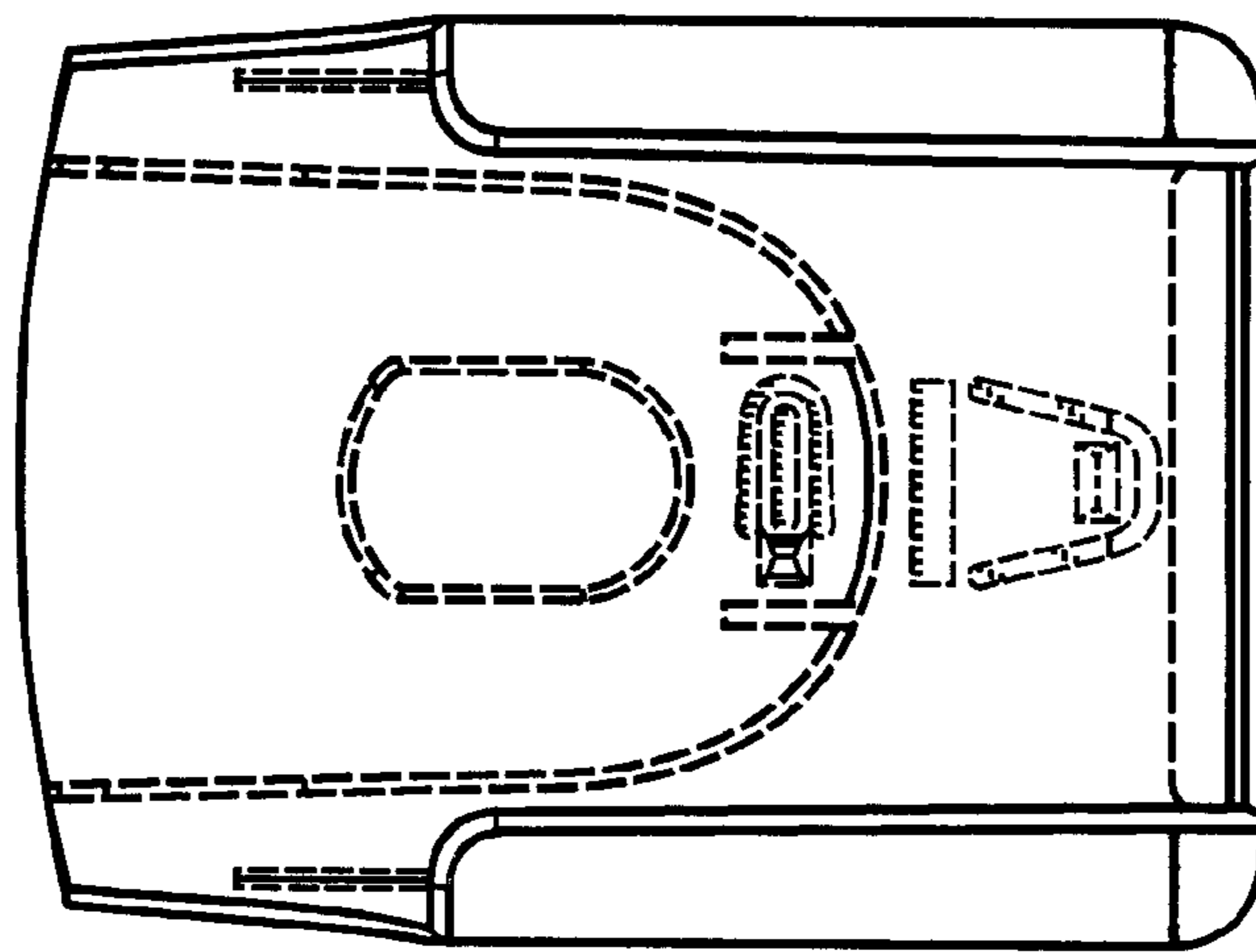


Fig. 8