



US00D471345S

(12) **United States Design Patent**
Teet

(10) **Patent No.:** **US D471,345 S**

(45) **Date of Patent:** **** Mar. 11, 2003**

(54) **SLIPPER**

(76) **Inventor:** **Kimberly A. Teet**, 116 W. 4th,
Solomon, KS (US) 67480

(**) **Term:** **14 Years**

(21) **Appl. No.:** **29/154,151**

(22) **Filed:** **Jan. 16, 2002**

(51) **LOC (7) Cl.** **02-04**

(52) **U.S. Cl.** **D2/898; D2/919**

(58) **Field of Search** **D2/897, 898, 919**

(56) **References Cited**

U.S. PATENT DOCUMENTS

D211,556 S	*	7/1968	Sherman	D2/898
D240,974 S	*	8/1976	Tesky	D2/898
D352,380 S	*	11/1994	Oehring et al.	D2/898
D375,613 S		11/1996	Humphrey	D2/897
D394,137 S	*	5/1998	Jadel	D2/919

* cited by examiner

Primary Examiner—Dominic Simone

(74) *Attorney, Agent, or Firm*—Jeffrey L. Thompson;
Thompson & Thompson, P.A.

(57) **CLAIM**

The ornamental design for a slipper, as shown and described.

DESCRIPTION

FIG. 1 is a front perspective view of a slipper showing my new design;

FIG. 2 is a right side view of my slipper design;

FIG. 3 is a left side view of my slipper design;

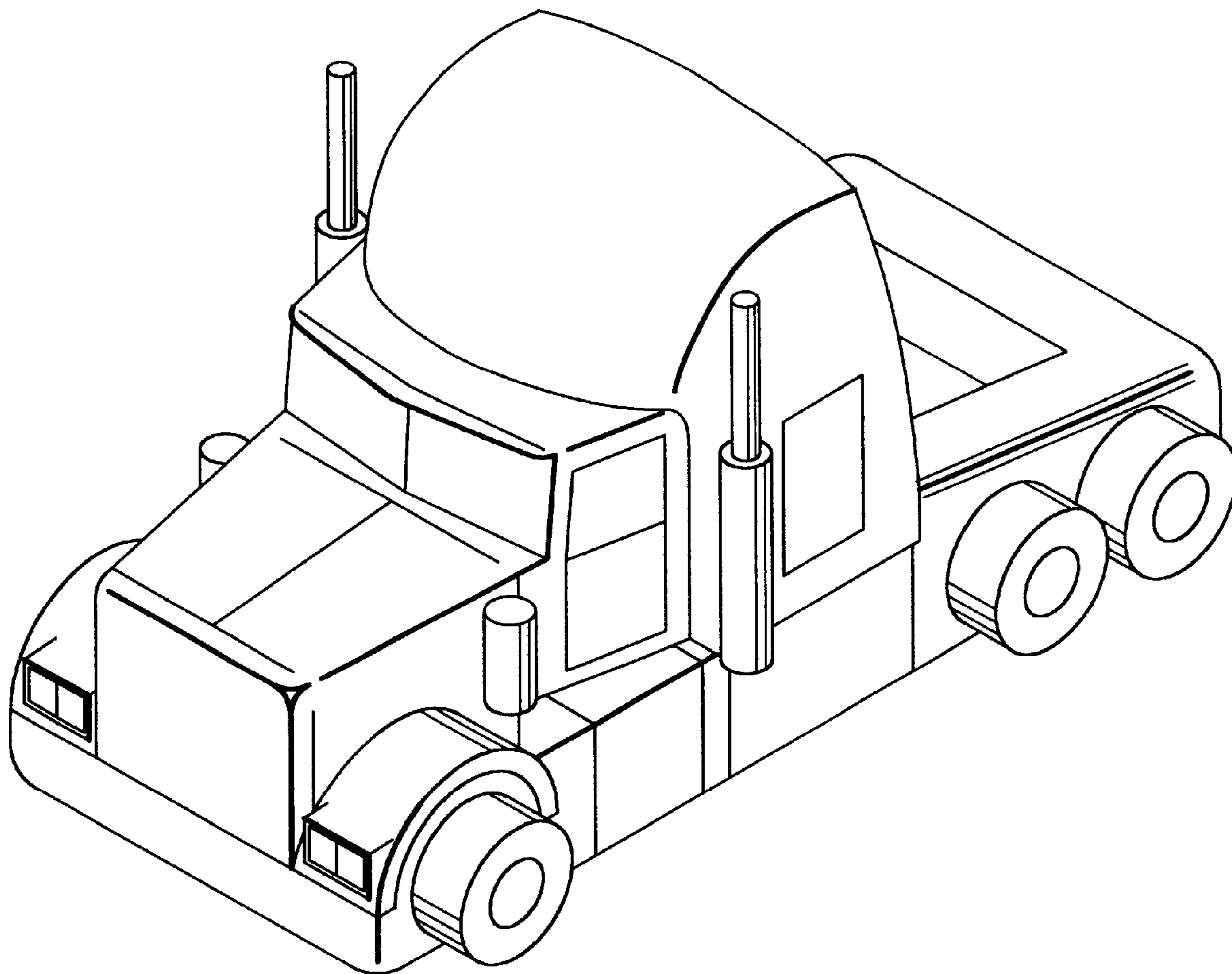
FIG. 4 is a top view of my slipper design;

FIG. 5 is a bottom view of my slipper design;

FIG. 6 is a front view of my slipper design; and,

FIG. 7 is a rear view of my slipper design.

1 Claim, 3 Drawing Sheets



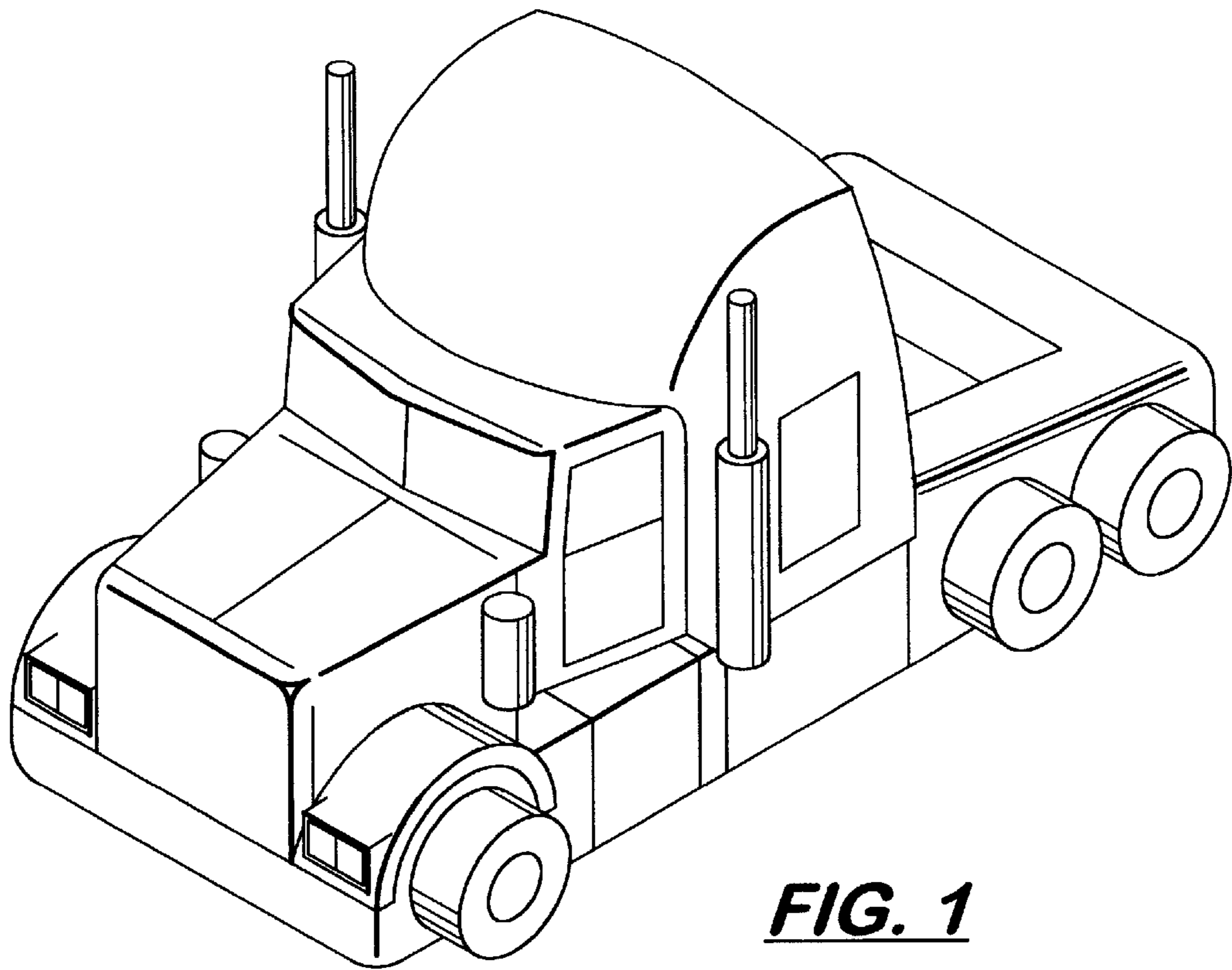


FIG. 1

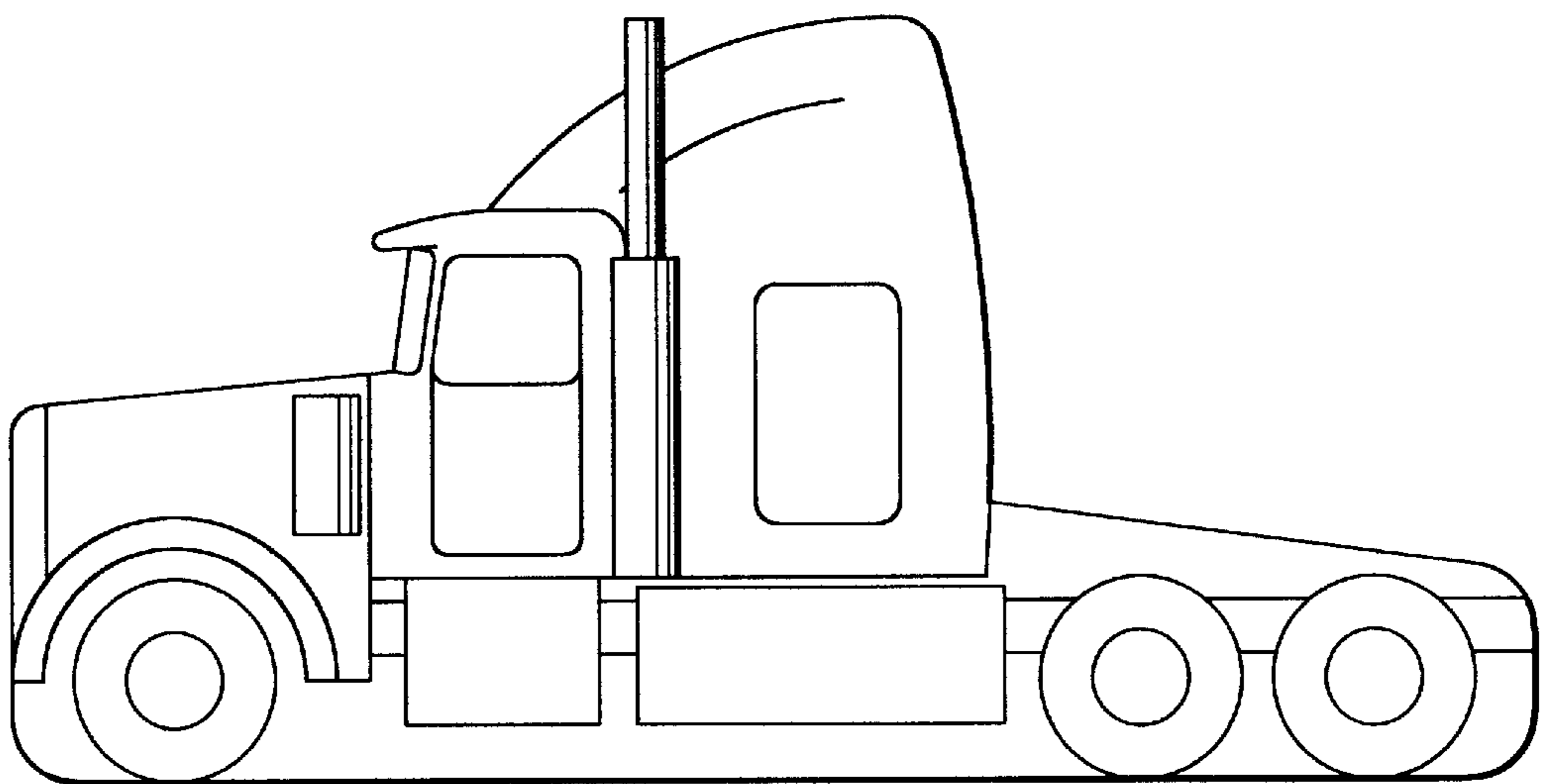


FIG. 2

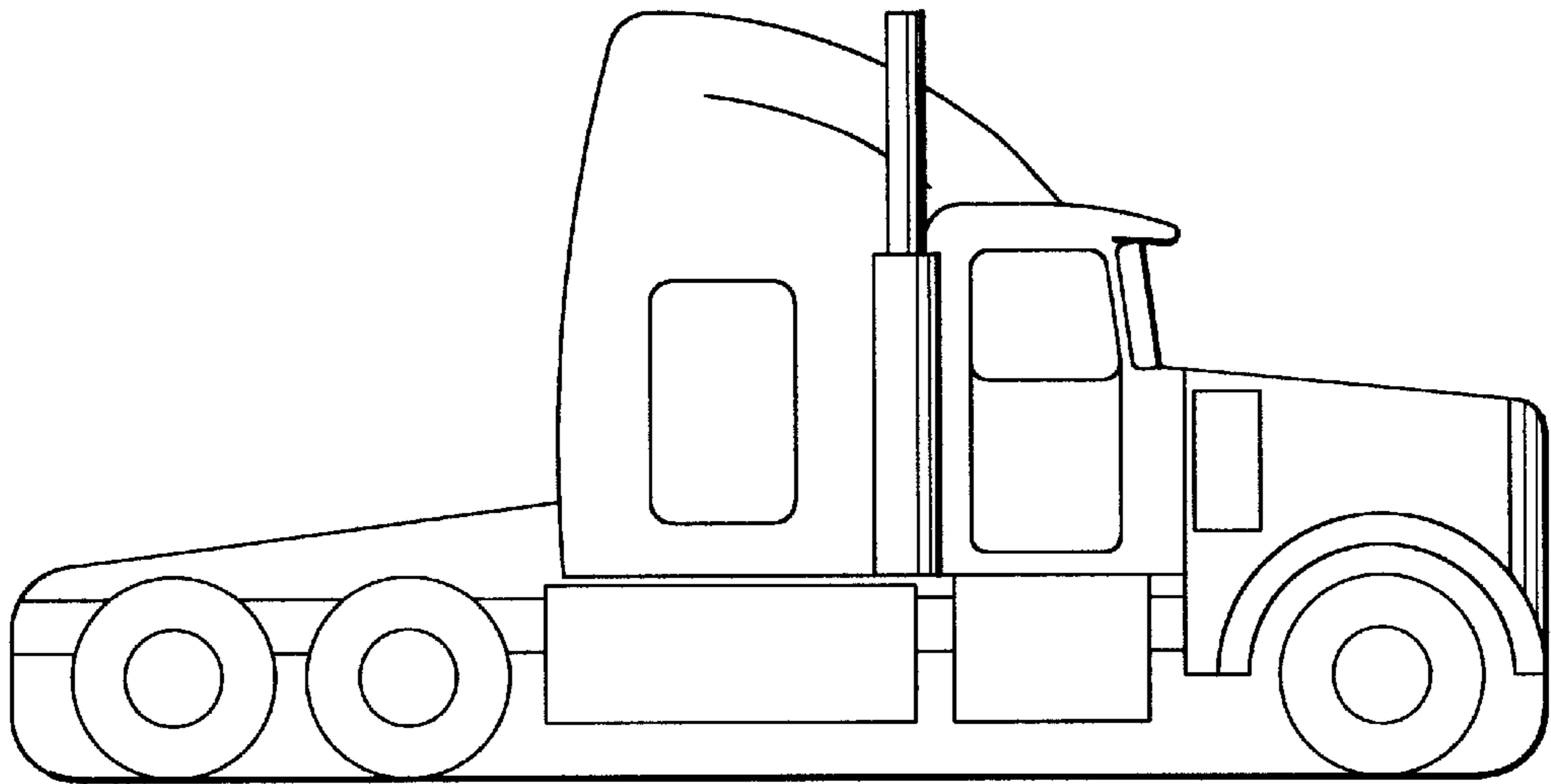


FIG. 3

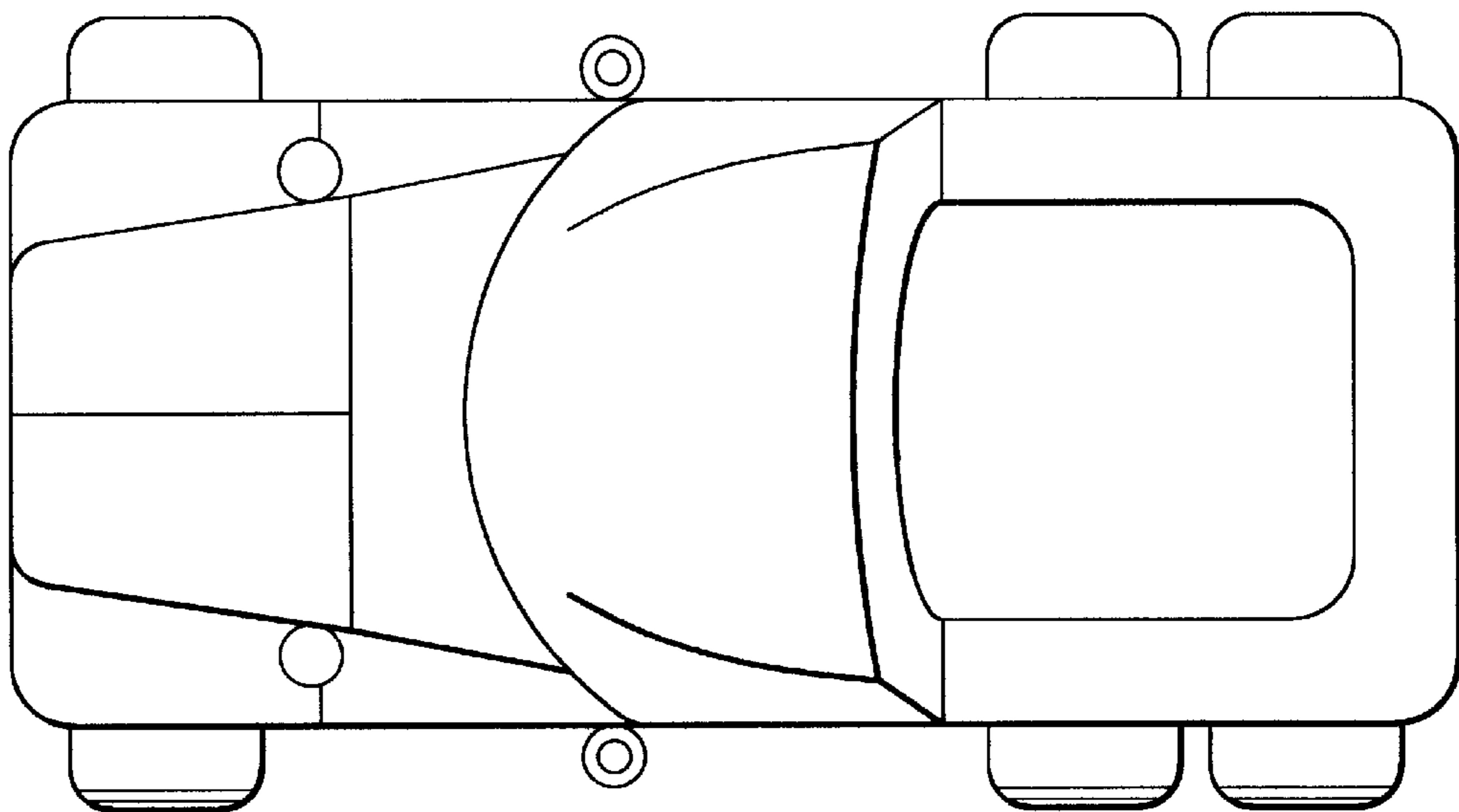


FIG. 4

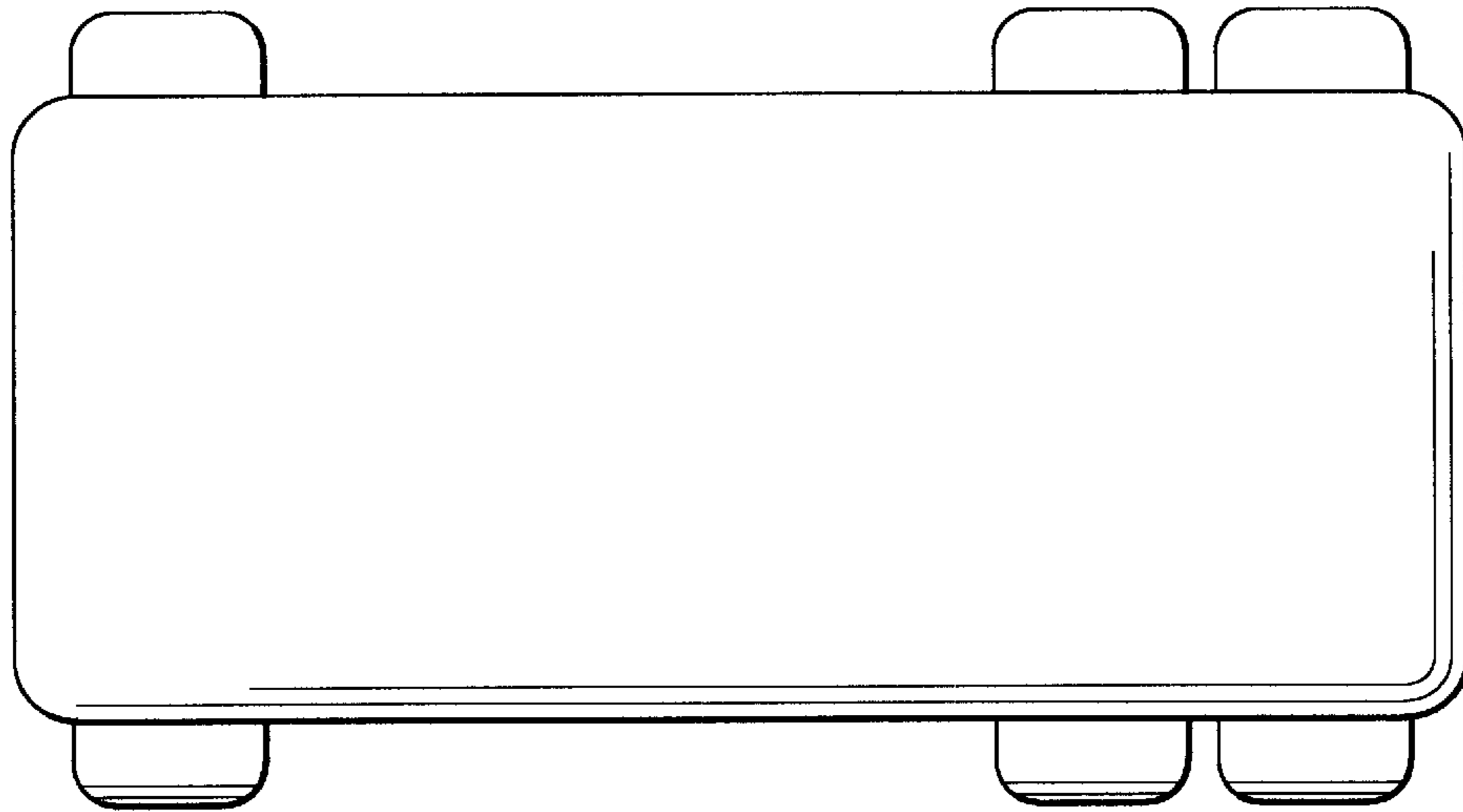


FIG. 5

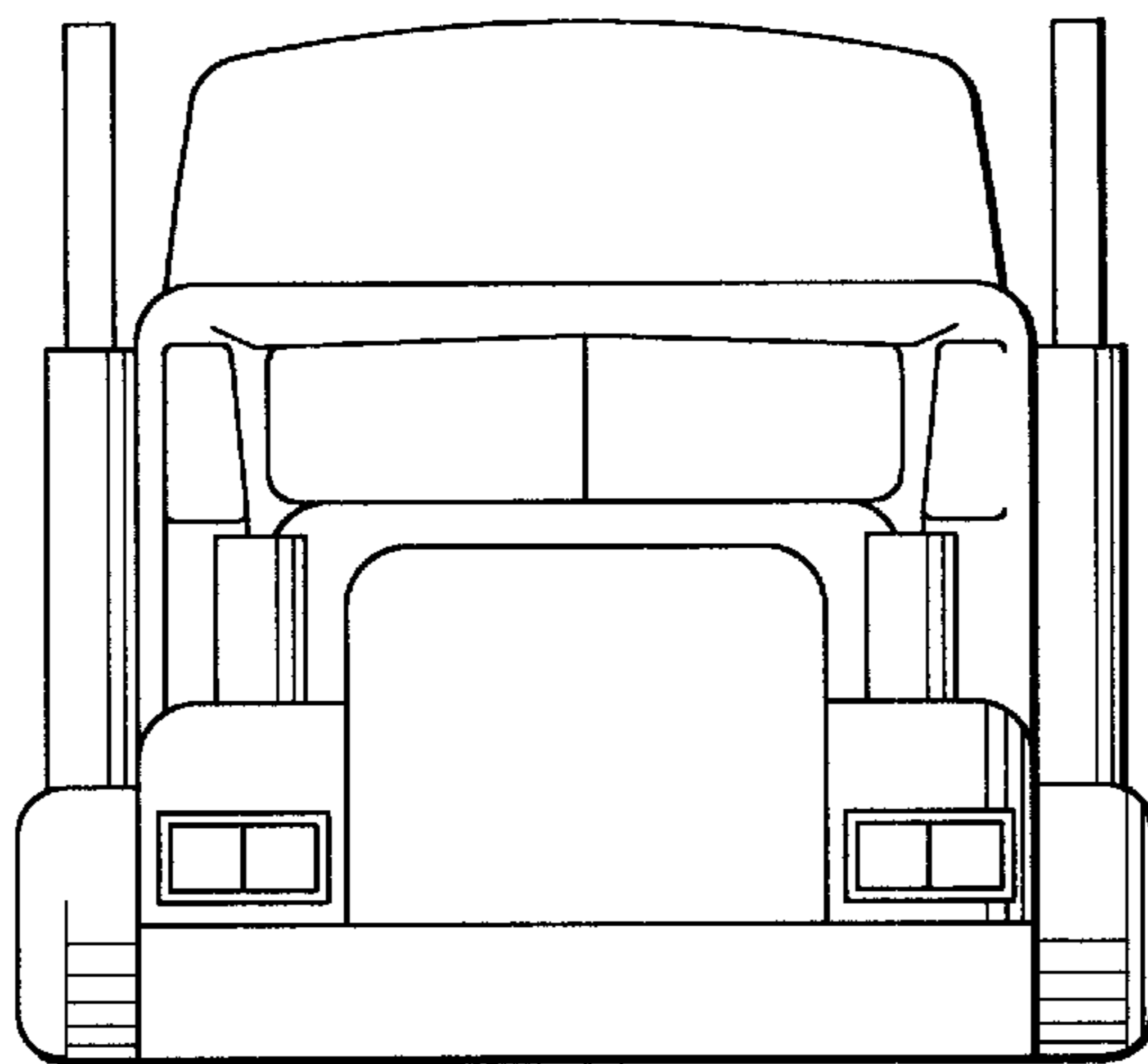


FIG. 6

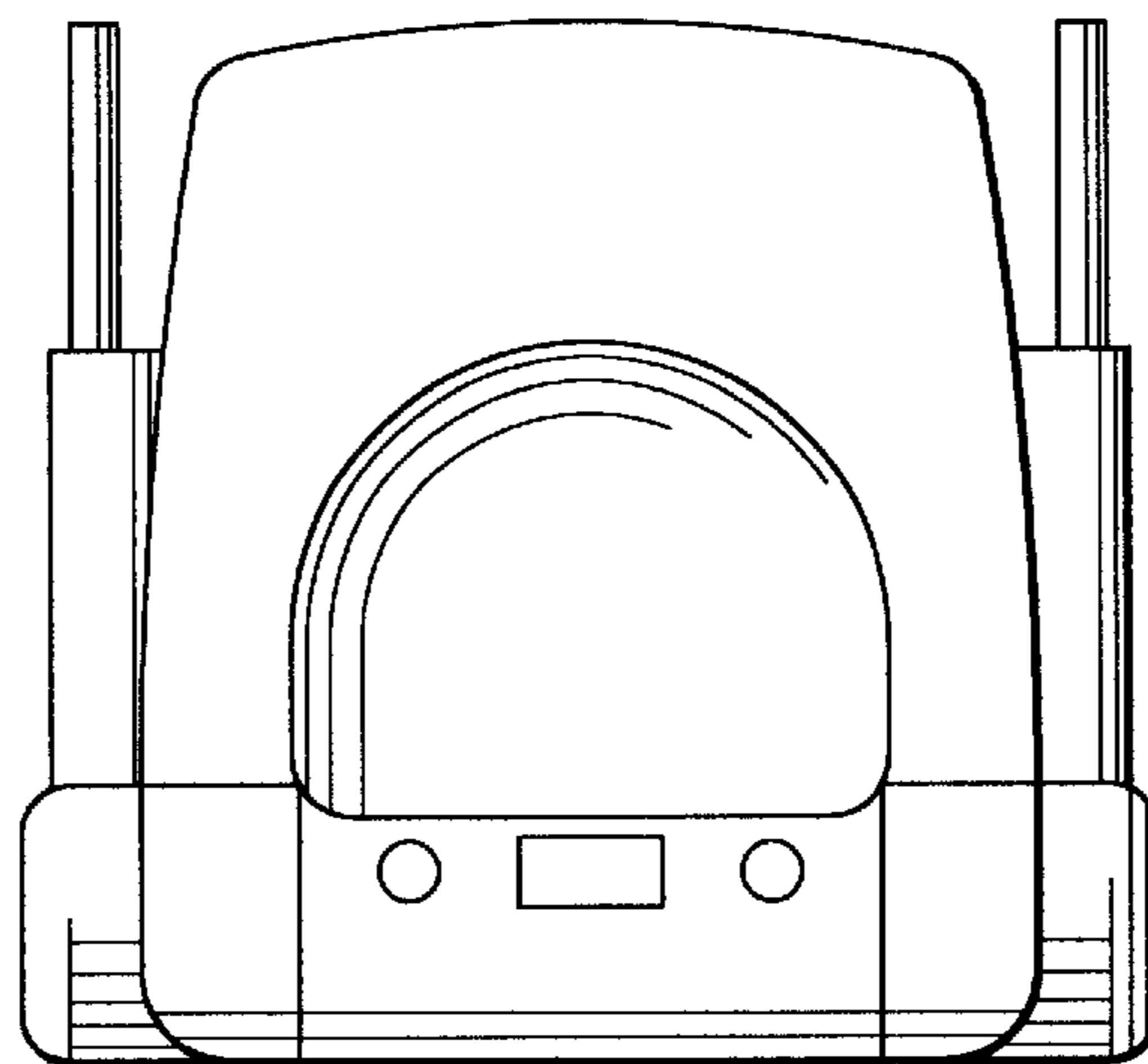


FIG. 7