



US00D471339S

(12) **United States Design Patent**
Mori

(10) **Patent No.:** **US D471,339 S**

(45) **Date of Patent:** **** Mar. 4, 2003**

(54) **FORKLIFT TRUCK**

(75) Inventor: **Hiroki Mori, Kariya (JP)**

(73) Assignee: **Kabushiki Kaisha Toyoda Jidoshokki Seisakusho, Kariya (JP)**

(**) Term: **14 Years**

(21) Appl. No.: **29/143,266**

(22) Filed: **Jun. 11, 2001**

Related U.S. Application Data

(62) Division of application No. 29/118,375, filed on Feb. 7, 2000, now Pat. No. Des. 452,598.

(51) **LOC (7) Cl.** **12-05**

(52) **U.S. Cl.** **D34/34**

(58) **Field of Search** D34/28, 37, 34;
187/222, 237; 414/572, 592, 631; 180/89.12,
89.13, 89.17

(56) **References Cited**

U.S. PATENT DOCUMENTS

D257,432 S	*	10/1980	Erlacher	D34/34
D386,875 S	*	11/1997	Kim	D34/34
D386,877 S	*	11/1997	Russey et al.	D34/34
D389,981 S	*	1/1998	Donaldson	D34/34
D393,516 S	*	4/1998	Hahn et al.	D34/34
D393,517 S	*	4/1998	Kim et al.	D34/34
D396,928 S	*	8/1998	Hahn et al.	D34/34

D411,681 S	*	6/1999	Murakami et al.	D34/34
D412,385 S	*	7/1999	Murakami et al.	D34/34
D427,409 S	*	6/2000	Sato et al.	D34/34
D427,612 S	*	7/2000	Shim	D34/34

FOREIGN PATENT DOCUMENTS

JP	1053353	11/1999
JP	1053353-1	11/1999
JP	1053353-6	11/1999

* cited by examiner

Primary Examiner—Cynthia E. Ramirez

(74) *Attorney, Agent, or Firm*—Morgan & Finnegan, LLP

(57) **CLAIM**

The ornamental design for a forklift truck, as shown and described.

DESCRIPTION

FIG. 1 is a front view showing a forklift truck;
FIG. 2 is a rear view showing the forklift truck of FIG. 1;
FIG. 3 is a plan view showing the forklift truck of FIG. 1;
FIG. 4 is a left view showing the forklift truck of FIG. 1;
FIG. 5 is a right view showing the forklift truck of FIG. 1;
FIG. 6 is a front upper perspective view showing the forklift truck of FIG. 1; and,
FIG. 7 is a rear upper perspective view showing the forklift truck of FIG. 1.

The broken lines in FIGS. 1 to 7 are shown for illustrative purposes only and form no part of the claimed design.

1 Claim, 6 Drawing Sheets

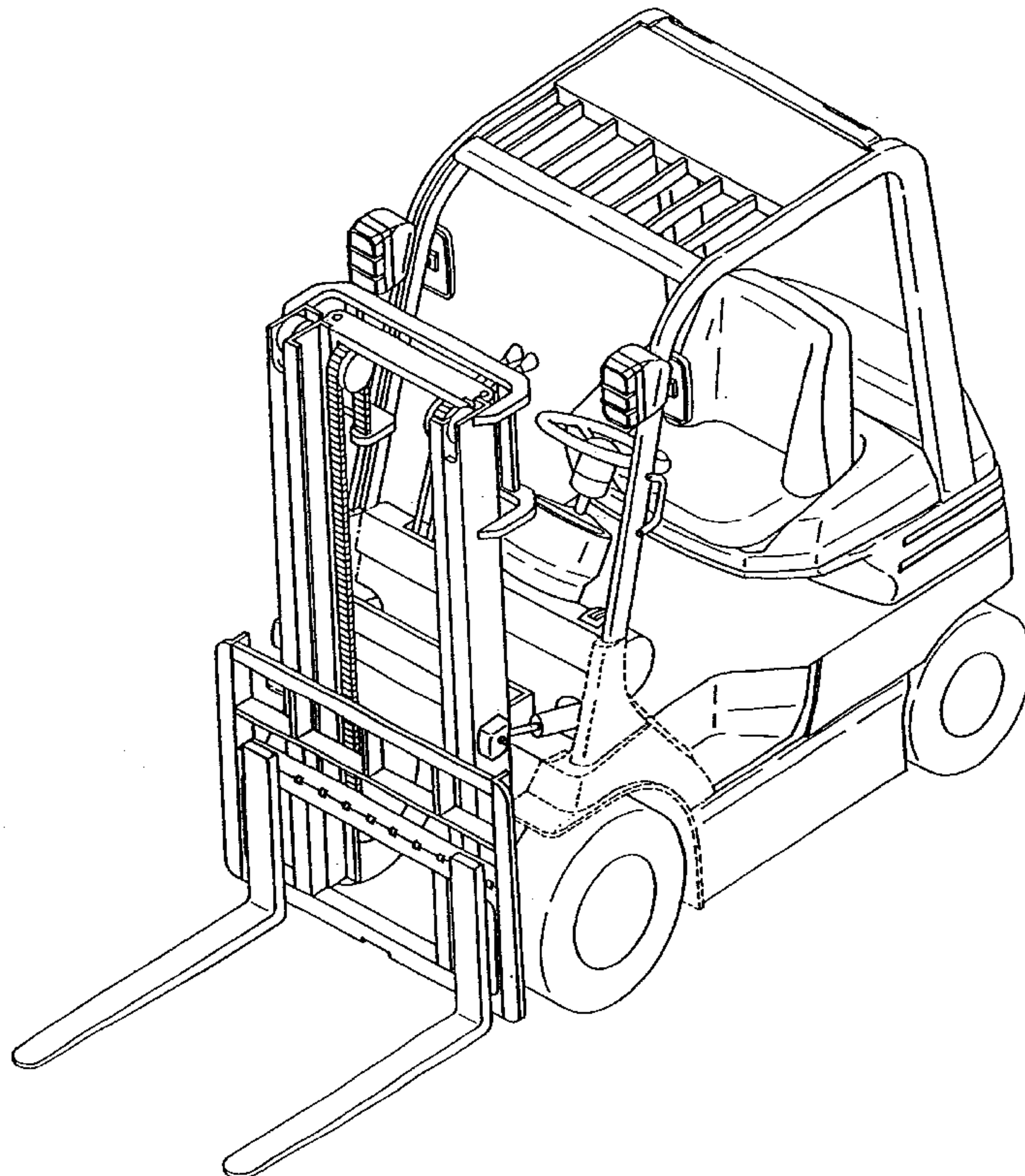


Fig. 2

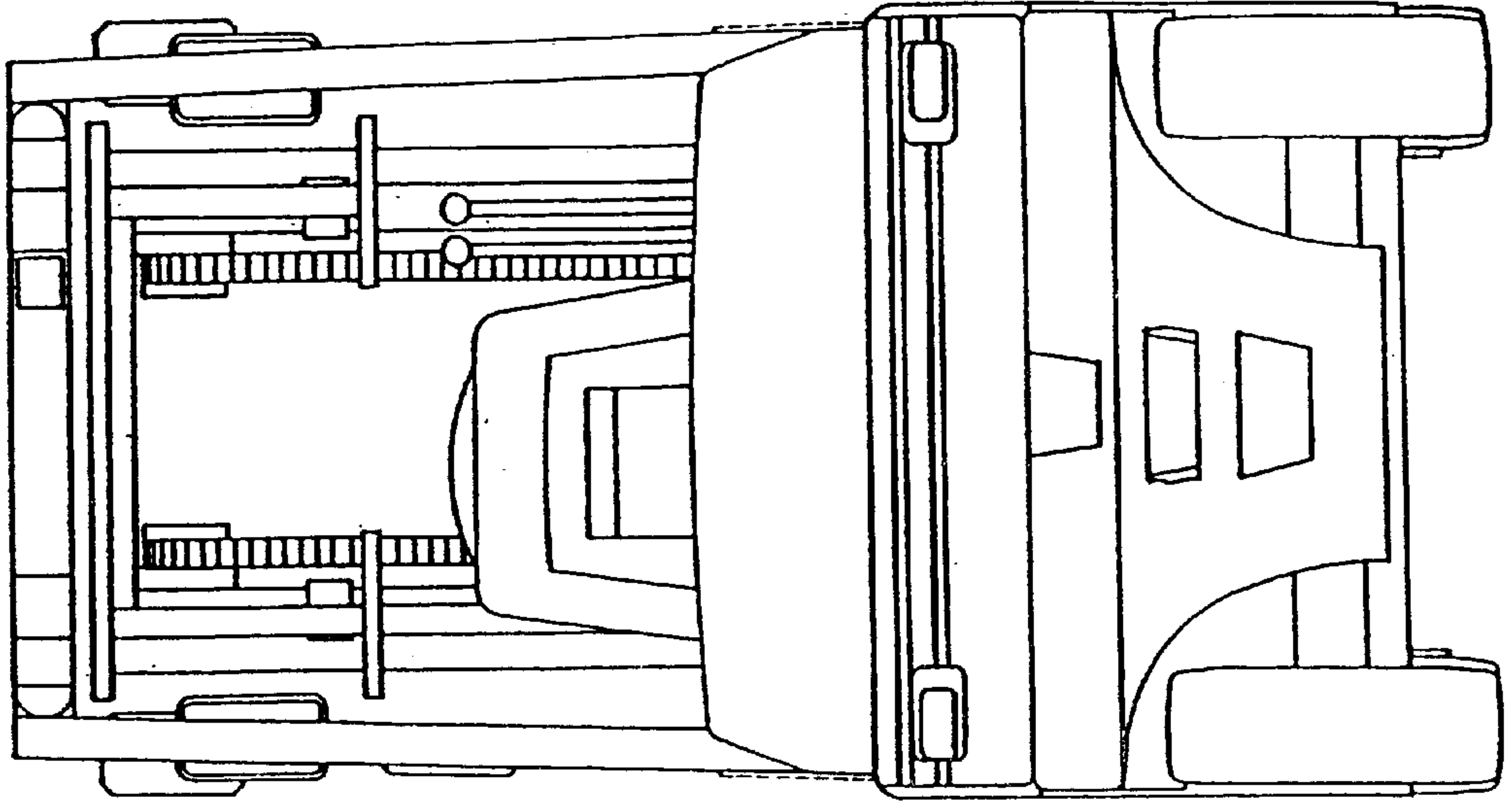


Fig. 1

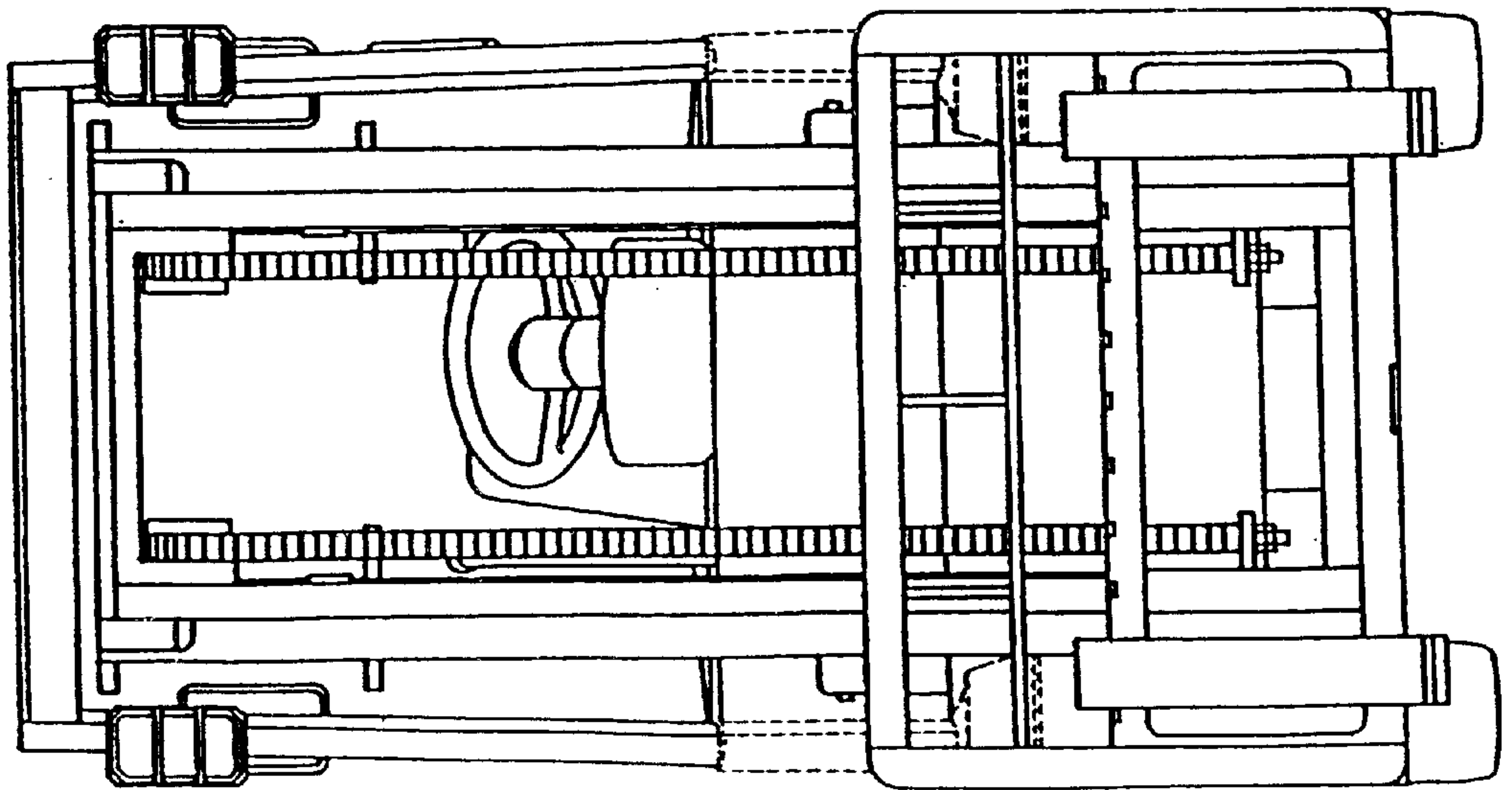


Fig. 3

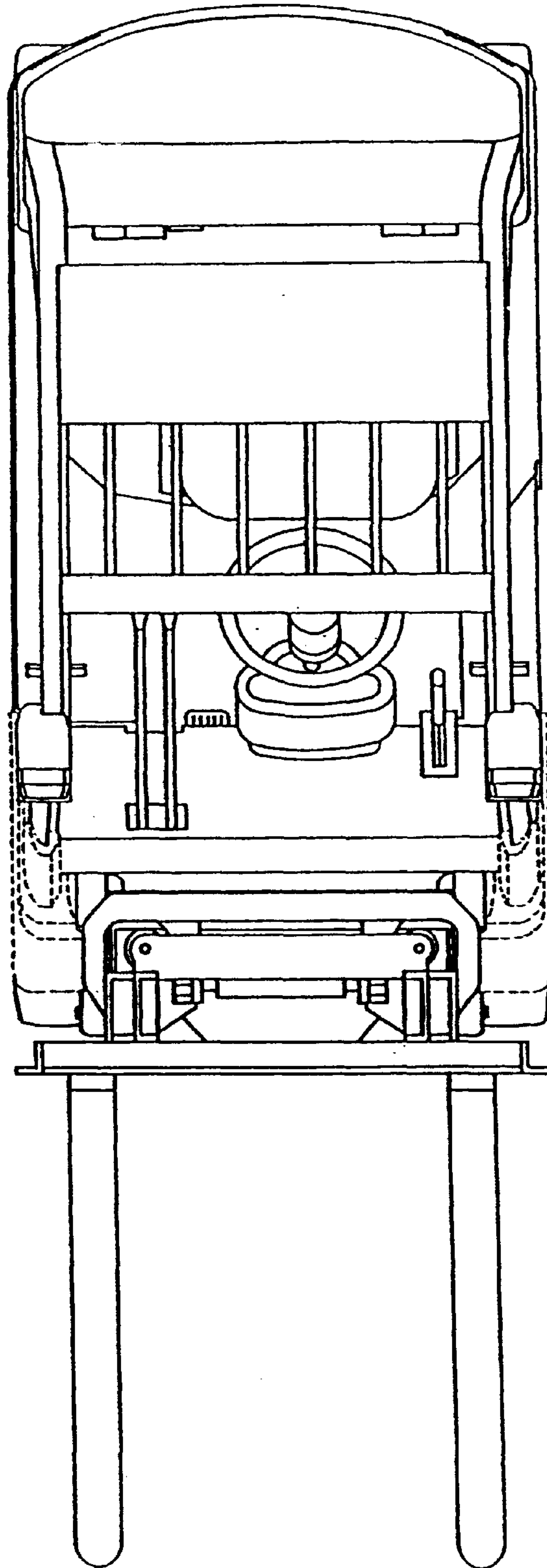


Fig. 4

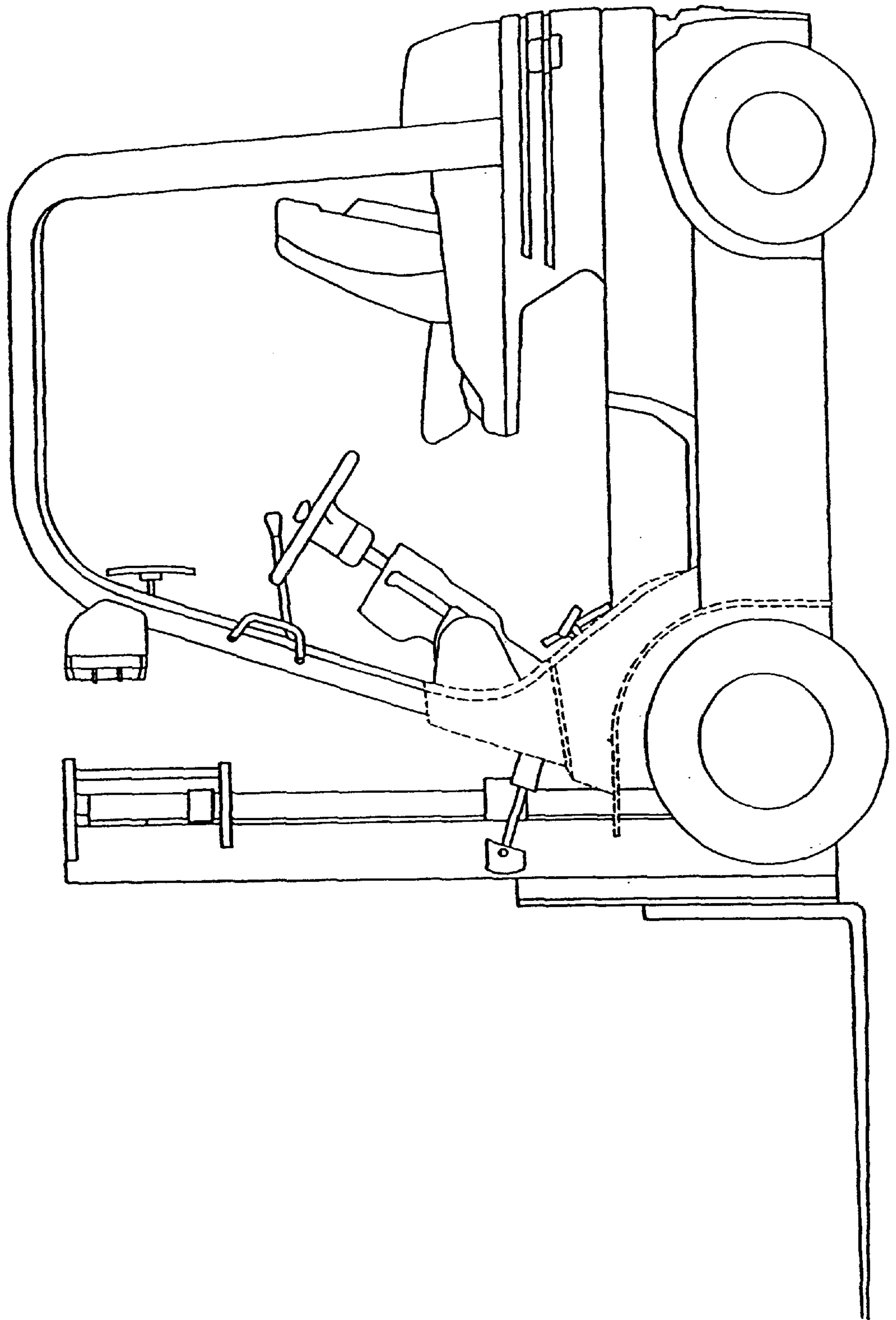


Fig. 5

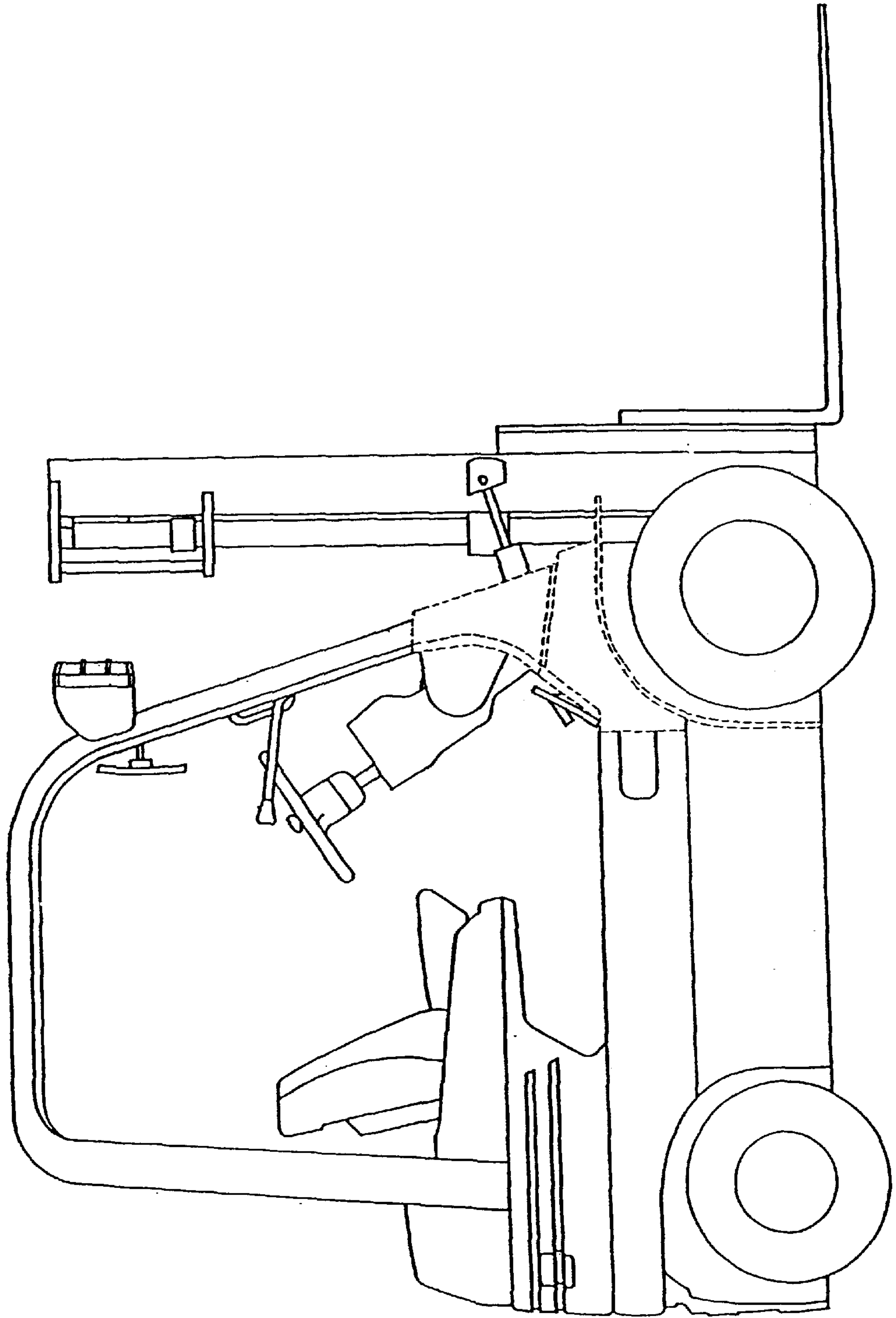


Fig. 6

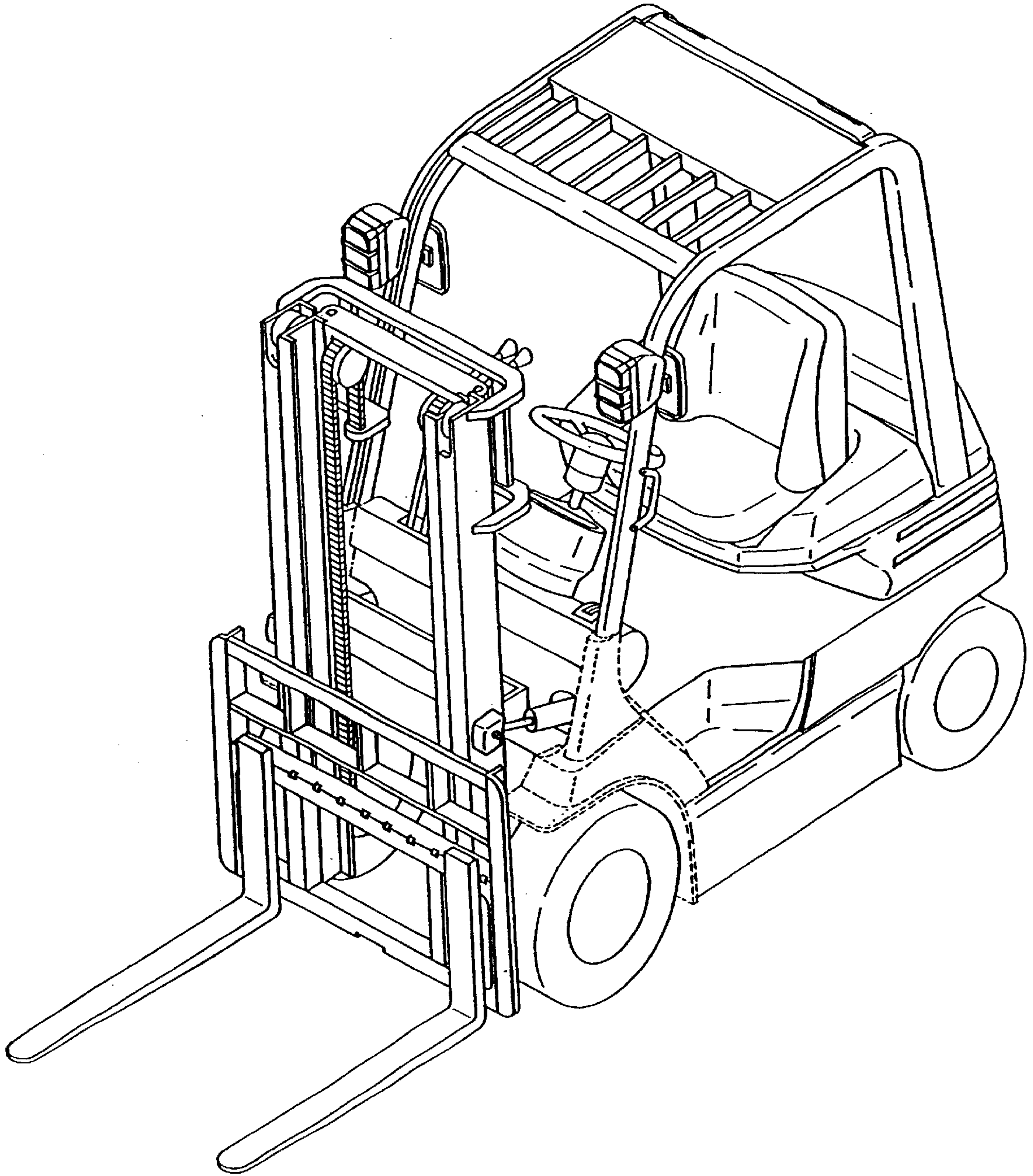
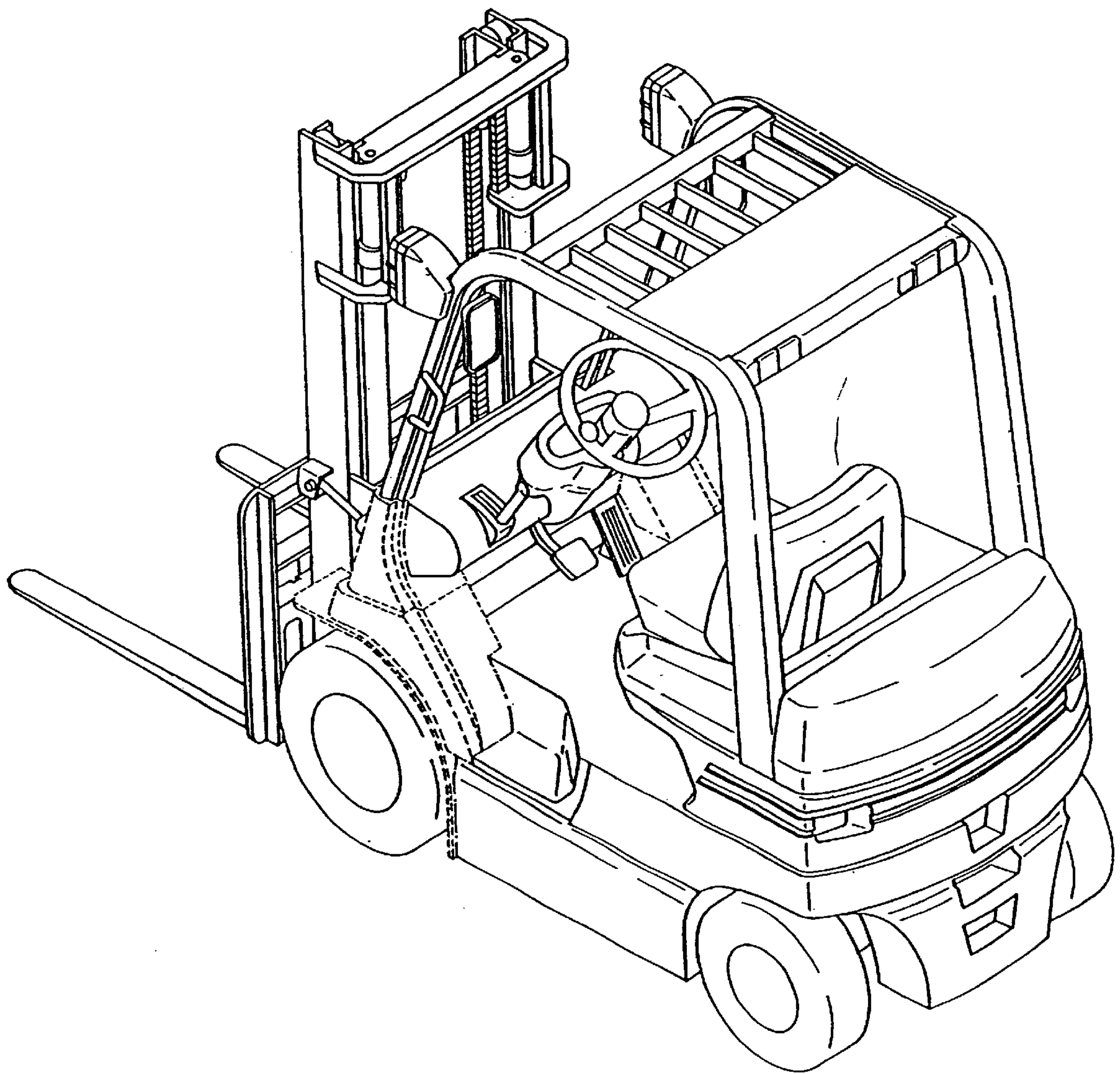


Fig. 7



UNITED STATES PATENT AND TRADEMARK OFFICE
CERTIFICATE OF CORRECTION

PATENT NO. : Des. 471,339 S
DATED : March 4, 2003
INVENTOR(S) : Mori

Page 1 of 1

It is certified that error appears in the above-identified patent and that said Letters Patent is hereby corrected as shown below:

Title page,

Item [57], before "CLAIM" please insert therefore:

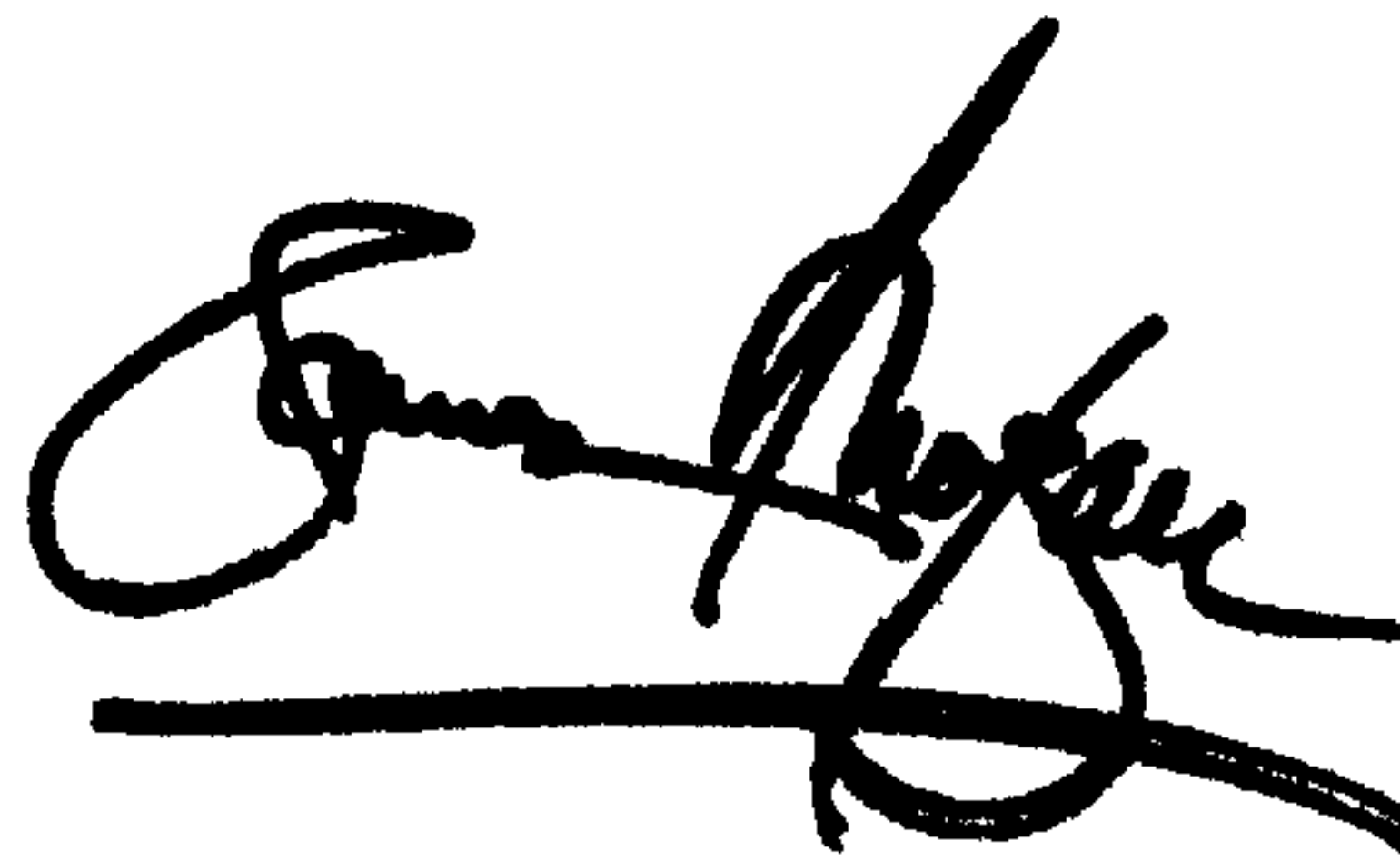
-- SPECIFICATION

I, Hiroki MORI have invented a new, original, and ornamental design for a FORKLIFT TRUCK, of which the following is a specification, reference being made to the accompanying drawings forming a part thereof. --

Under **DESCRIPTION**, Fig. 6, please delete "and," and insert therefore -- and --.

Signed and Sealed this

Twenty-third Day of September, 2003

A handwritten signature in black ink, appearing to read "James E. Rogan", written over a horizontal line.

JAMES E. ROGAN

Director of the United States Patent and Trademark Office

UNITED STATES PATENT AND TRADEMARK OFFICE
CERTIFICATE OF CORRECTION

PATENT NO. : Des. 471,339 S
APPLICATION NO. : 29/143266
DATED : March 4, 2003
INVENTOR(S) : Hiroki Mori

Page 1 of 1

It is certified that error appears in the above-identified patent and that said Letters Patent is hereby corrected as shown below:

On the Title Page

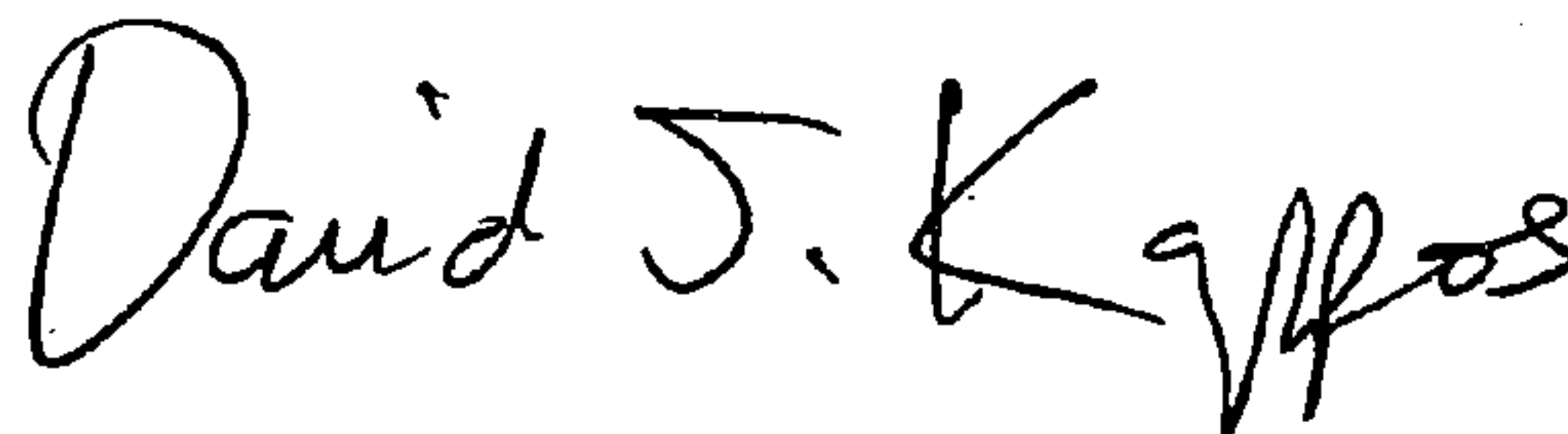
Column 1, item (62), after **Related U.S. Application Data**, and the data related thereto, insert

-- Related Foreign Application Data

Japan 11-21125 August 7, 1999
Japan 11-21127 August 7, 1999 --

Signed and Sealed this

Twenty-second Day of December, 2009



David J. Kappos
Director of the United States Patent and Trademark Office