



US00D471338S

(12) **United States Design Patent**
Hodge

(10) **Patent No.:** **US D471,338 S**

(45) **Date of Patent:** **** Mar. 4, 2003**

(54) **POWER WINCH**

(75) **Inventor:** **Stephen Ray Hodge**, North Plains, OR
(US)

(73) **Assignee:** **Warn Industries, Inc.**, Milwaukie, OR
(US)

(**) **Term:** **14 Years**

(21) **Appl. No.:** **29/156,971**

(22) **Filed:** **Mar. 8, 2002**

(51) **LOC (7) Cl.** **12-05**

(52) **U.S. Cl.** **D34/33**

(58) **Field of Search** D34/28, 33, 35;
254/264, 252, 382, 374, 356, 380, 362;
D8/14, 21, 28, 54; 294/82.11; 280/490.1

(56) **References Cited**

U.S. PATENT DOCUMENTS

1,550,114	A	*	8/1925	Simpson	254/264
1,802,091	A	*	4/1931	Seaman	254/264
D134,180	S	*	10/1942	Parker	D34/33
D152,067	S	*	12/1948	Curtis	D34/33
2,680,004	A	*	6/1954	Herker	254/252
D188,729	S	*	8/1960	Hunt	D34/33
D196,373	S	*	9/1963	Mullins	D34/33
3,537,686	A	*	11/1970	McKendrick	254/264

4,434,974	A	*	3/1984	LaCount	254/380
D304,254	S	*	10/1989	Lyall et al.	D34/33
D307,965	S	*	5/1990	Eley et al.	D34/33
D309,969	S	*	8/1990	Tamura	D34/33
5,522,582	A	*	6/1996	Dilks	254/362
D389,978	S	*	1/1998	Sondergeld, Jr.	D34/33
D411,364	S	*	6/1999	Sasaki et al.	D34/33
6,073,917	A	*	6/2000	Plummer	254/374
D459,048	S	*	6/2002	Leemans	D34/33

* cited by examiner

Primary Examiner—Cynthia E. Ramirez

(74) *Attorney, Agent, or Firm*—Robert L. Harrington;
Schwabe Williamson & Wyatt, PC

(57) **CLAIM**

The ornamental design for a power winch, as shown and described.

DESCRIPTION

FIG. 1 is a perspective view of a power winch showing our new design;

FIG. 2 is an end view thereof;

FIG. 3 is an opposite end view thereof;

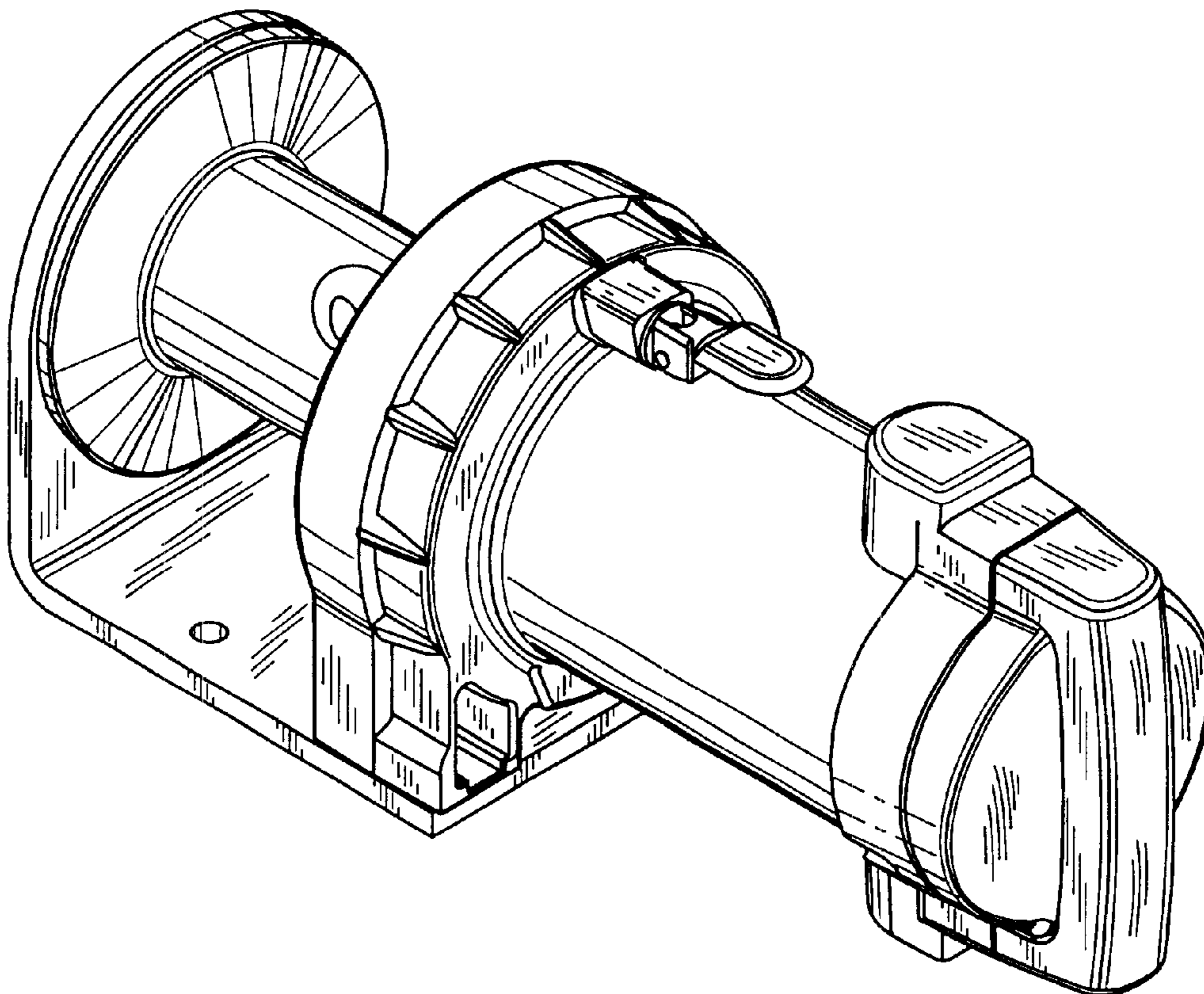
FIG. 4 is a top view thereof;

FIG. 5 is a side view thereof;

FIG. 6 is an opposite side view thereof; and,

FIG. 7 is a bottom view thereof.

1 Claim, 2 Drawing Sheets



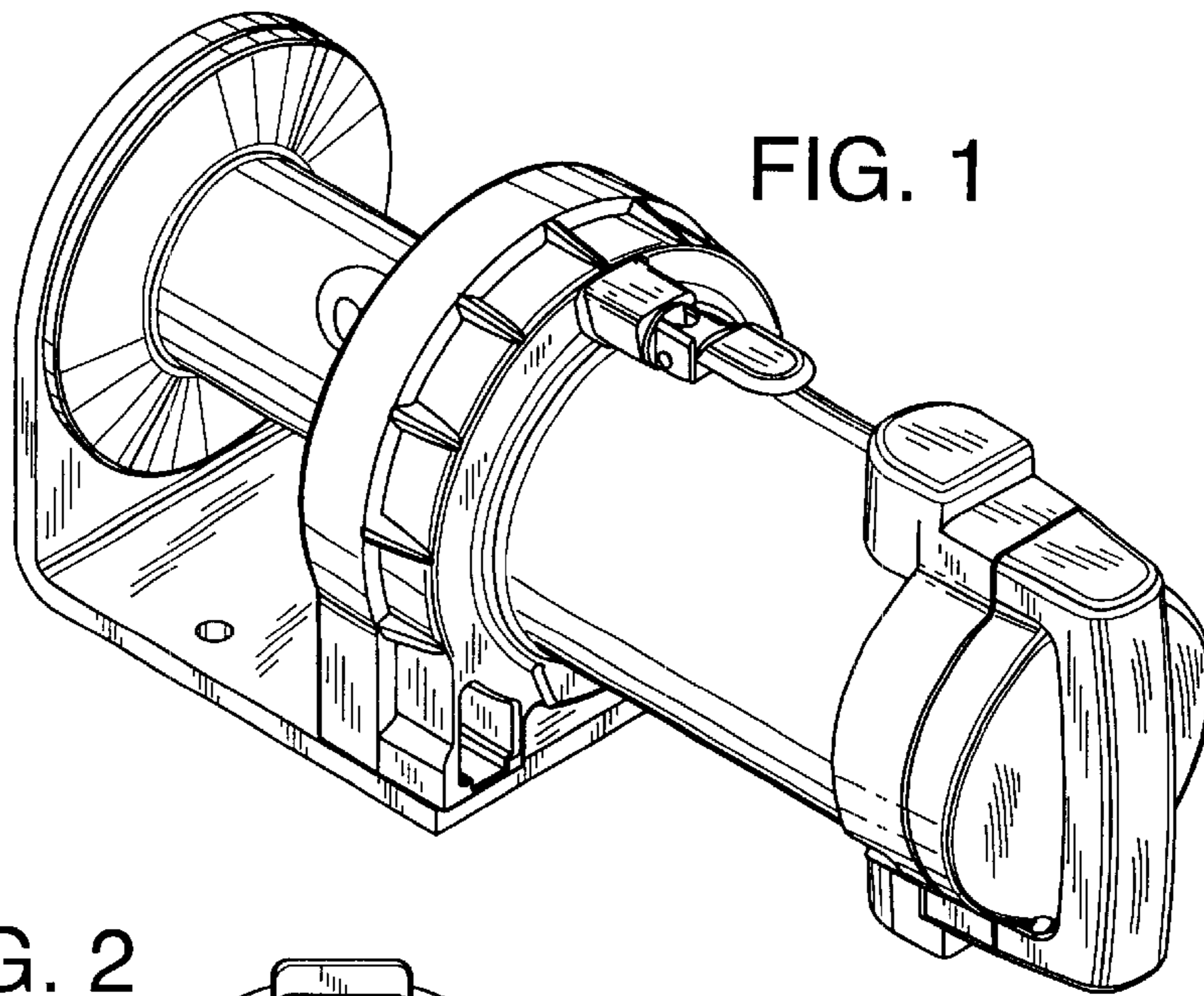


FIG. 2

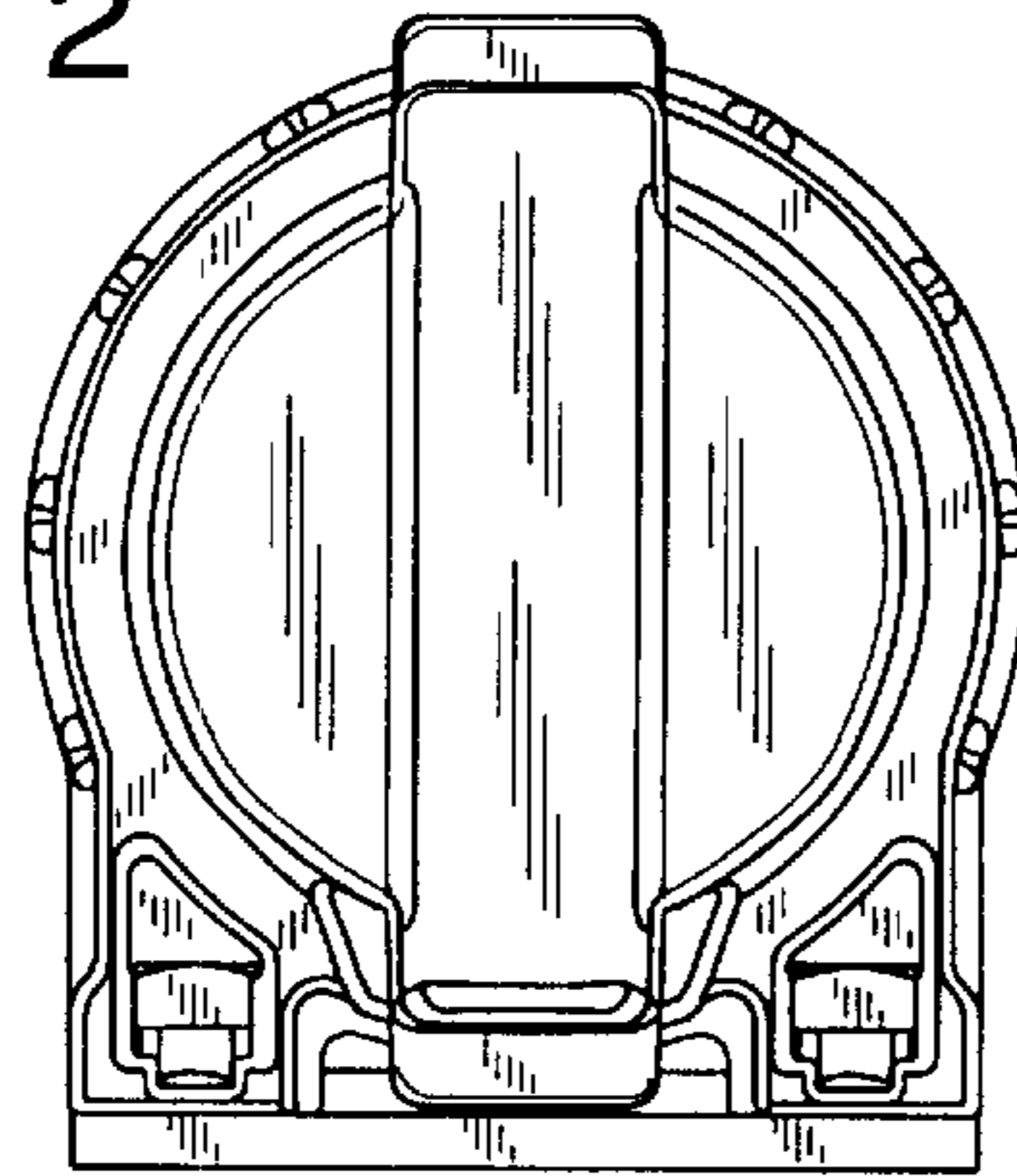


FIG. 3

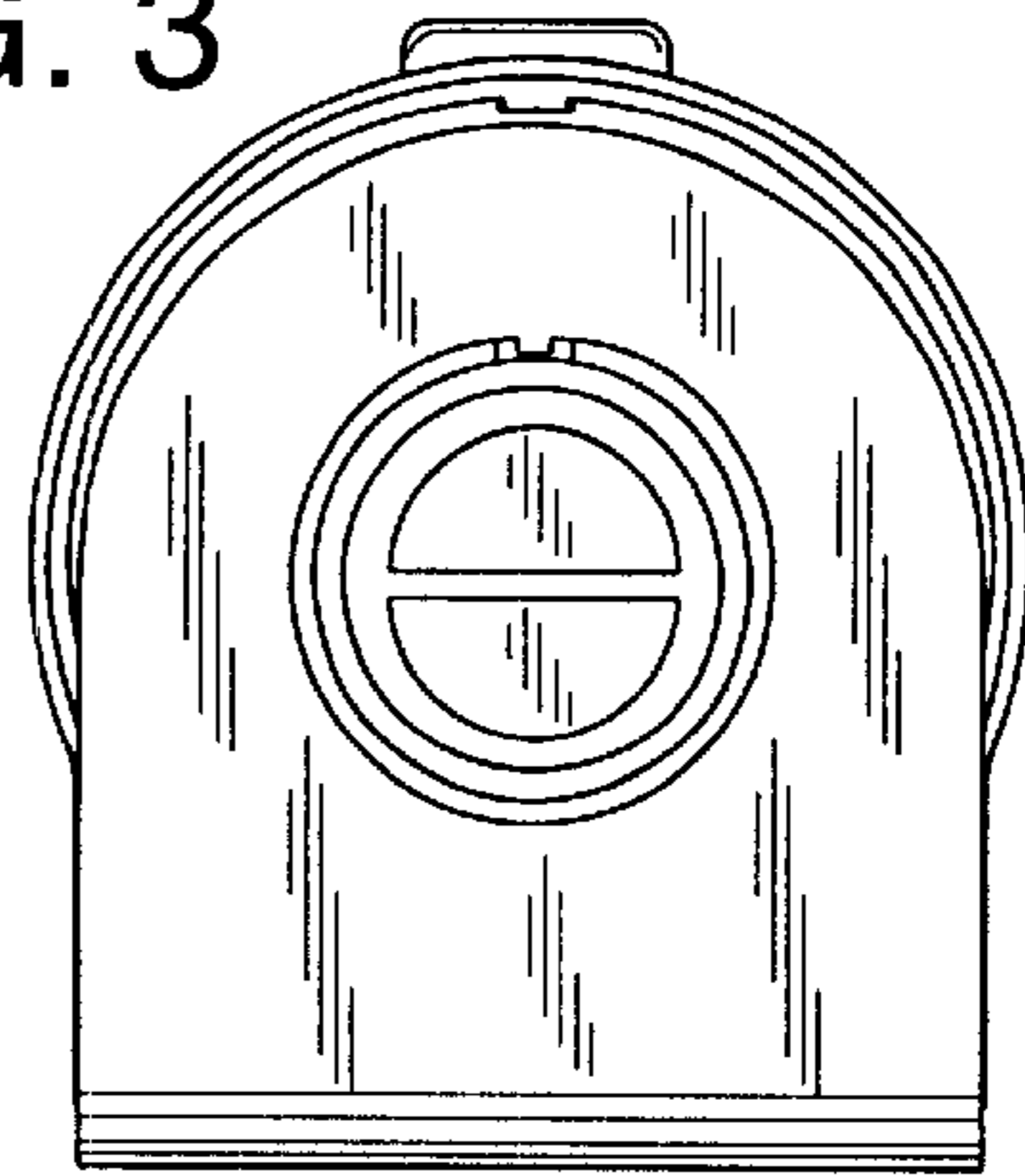


FIG. 4

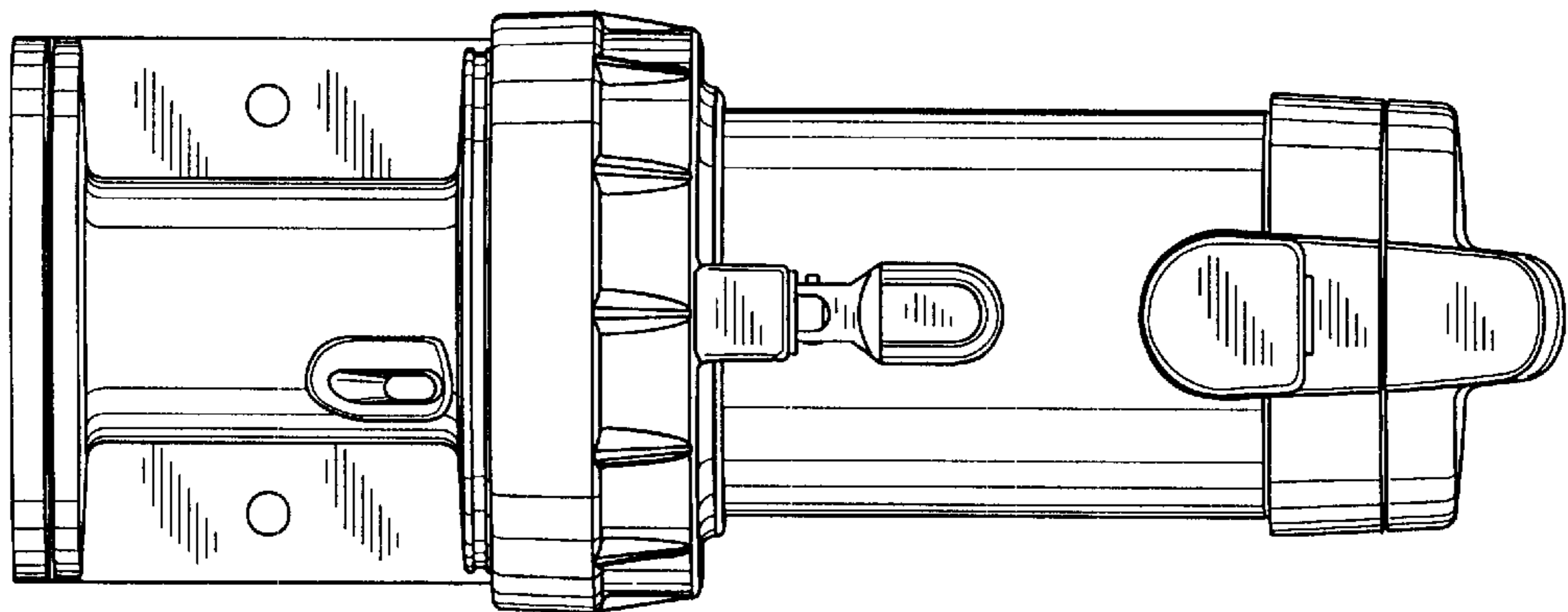


FIG. 5

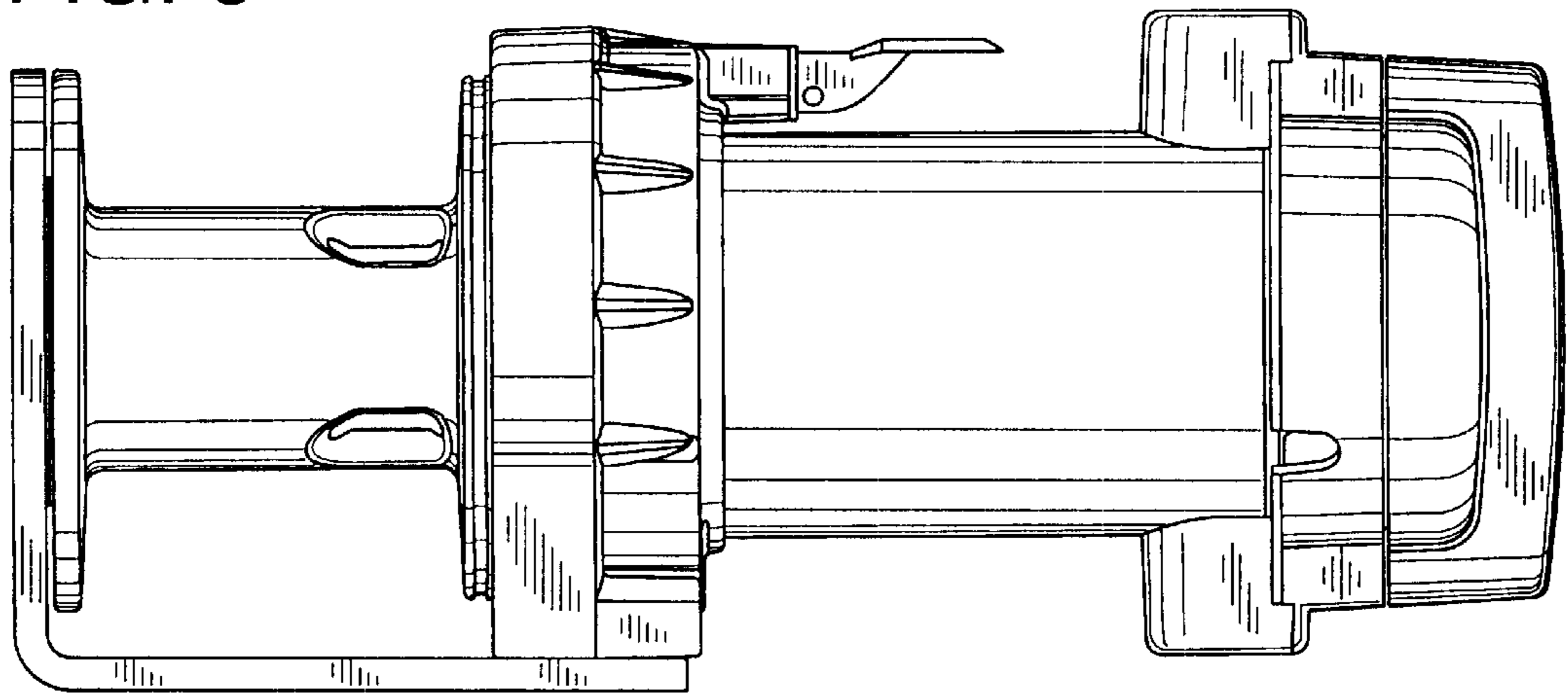


FIG. 6

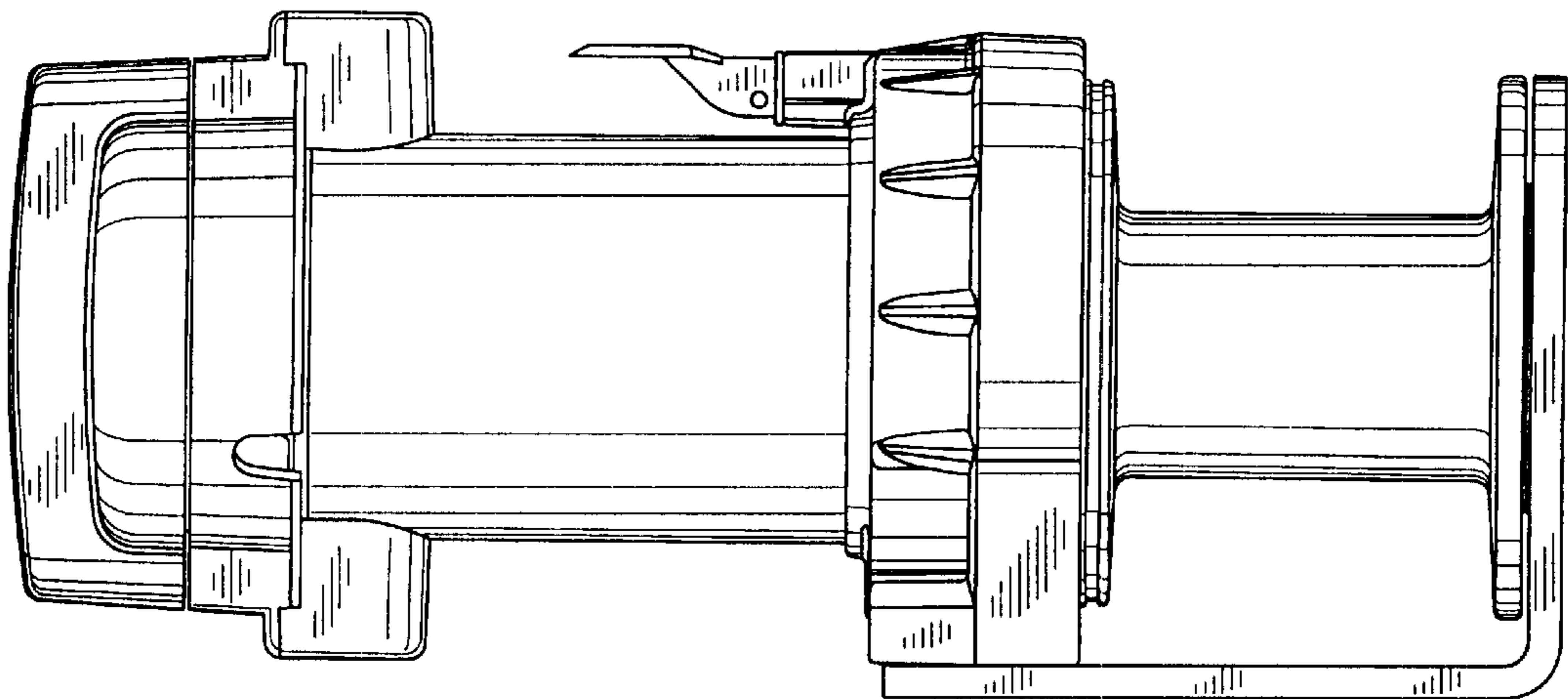


FIG. 7

