



US00D471337S

(12) **United States Design Patent**  
**Cooper**

(10) **Patent No.:** **US D471,337 S**

(45) **Date of Patent:** **\*\* Mar. 4, 2003**

(54) **DEVICE FOR LIFTING WHEELS AND TIRES**

(76) **Inventor:** **Michael John Cooper**, 447 Whites Road, Parafield Gardens 5107 (AU)

(\*\*) **Term:** **14 Years**

(21) **Appl. No.:** **29/140,993**

(22) **Filed:** **Apr. 27, 2001**

(30) **Foreign Application Priority Data**

Oct. 27, 2000 (AU) ..... 3552/00

(51) **LOC (7) Cl.** ..... **12-05**

(52) **U.S. Cl.** ..... **D34/28**

(58) **Field of Search** ..... D34/28, 31; 414/429, 414/786; 254/89.4, 89 R, 134, 93 R

(56) **References Cited**

**U.S. PATENT DOCUMENTS**

- 4,241,901 A \* 12/1980 Shircliffe ..... 254/89 H
- 4,690,605 A \* 9/1987 Coccaro ..... 414/429
- 4,692,082 A \* 9/1987 Smith ..... 414/429
- 4,793,592 A \* 12/1988 Green et al. .... 254/134
- 4,854,803 A \* 8/1989 Coccaro ..... 414/429
- D310,283 S 8/1990 Faykosh et al.
- D344,835 S \* 3/1994 MacEachern ..... D34/31

- D348,134 S \* 6/1994 McCanse et al. .... D34/31
- D349,802 S \* 8/1994 Isogai ..... D34/31
- D379,018 S \* 4/1997 Miller ..... D34/28
- 6,059,263 A \* 5/2000 Otema et al. .... 254/89 H

**OTHER PUBLICATIONS**

Advertisement for Clever Lever® in 2 (two) pages.

\* cited by examiner

*Primary Examiner*—Cynthia E. Ramirez

(74) *Attorney, Agent, or Firm*—Knobbe, Martens, Olson & Bear, LLP

(57) **CLAIM**

The ornamental design for a device for lifting wheels and tires, as shown and described.

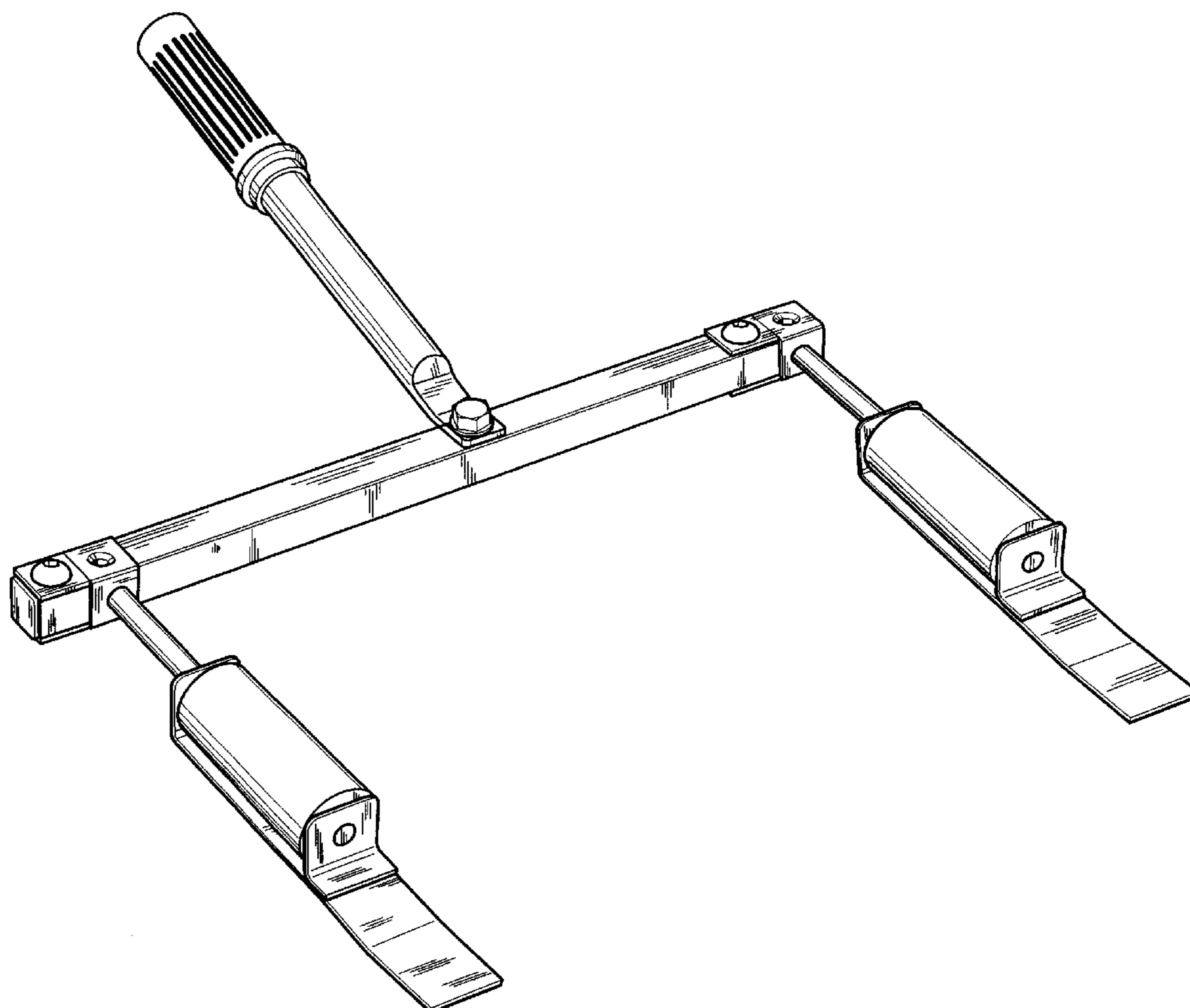
**DESCRIPTION**

FIG. 1 is a perspective assembled view of a device for lifting wheels and tires having a unique configuration of the present design;

FIG. 2 is a perspective exploded view of a device for lifting wheels and tires; and,

FIG. 3 is a top view of a perspective view of a device for lifting wheels and tires in a folded configuration.

**1 Claim, 3 Drawing Sheets**



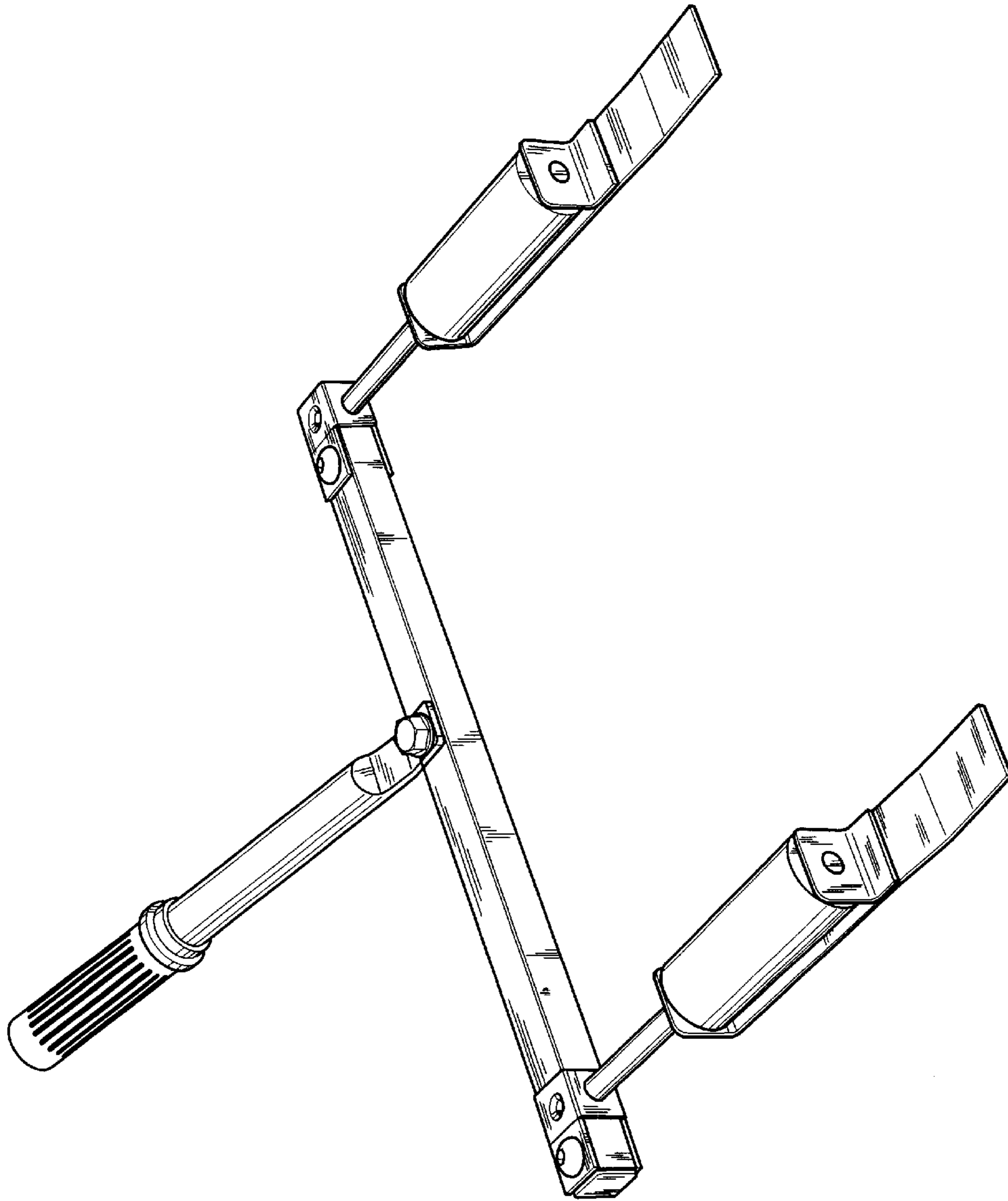


Figure 1

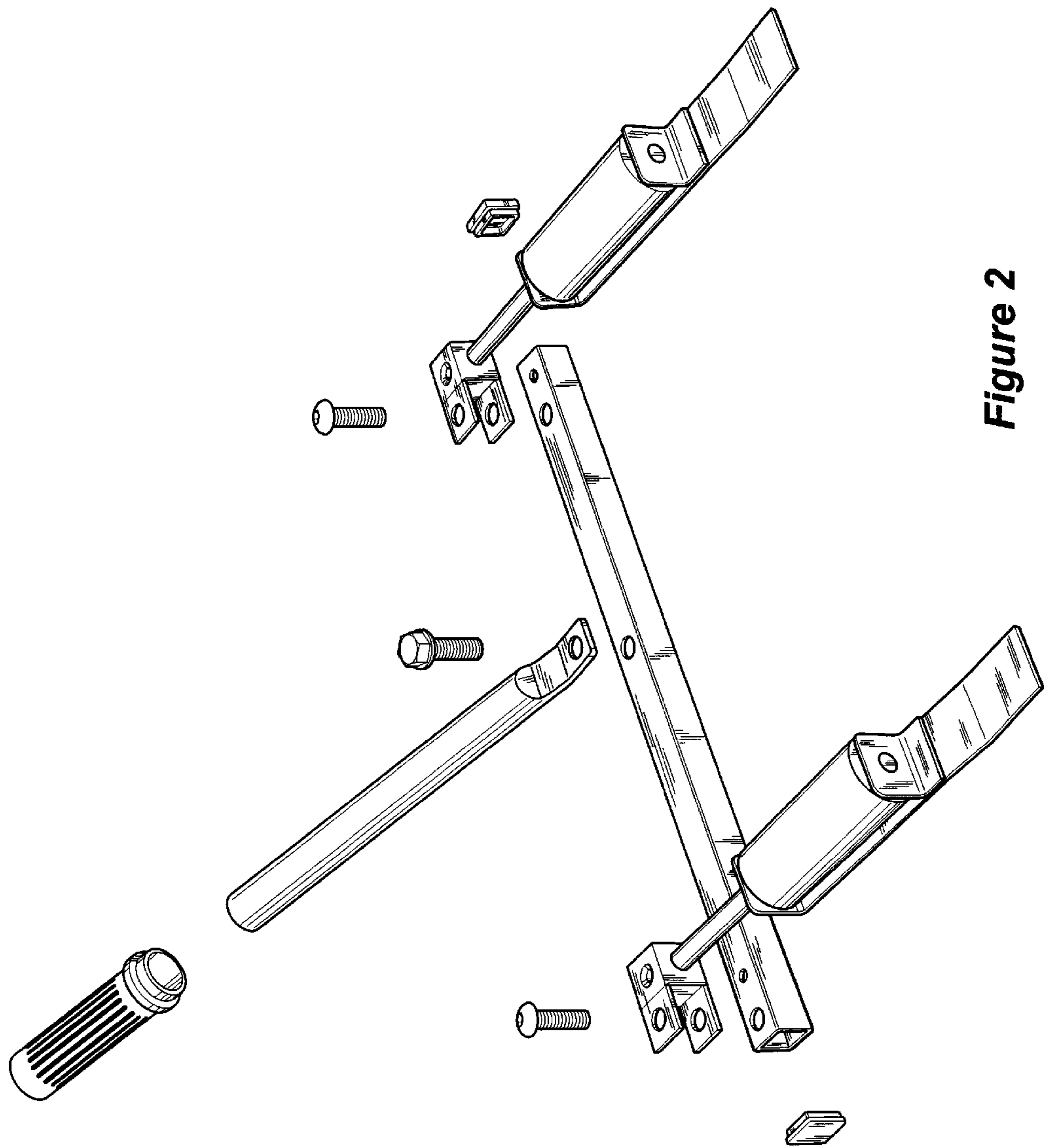


Figure 2

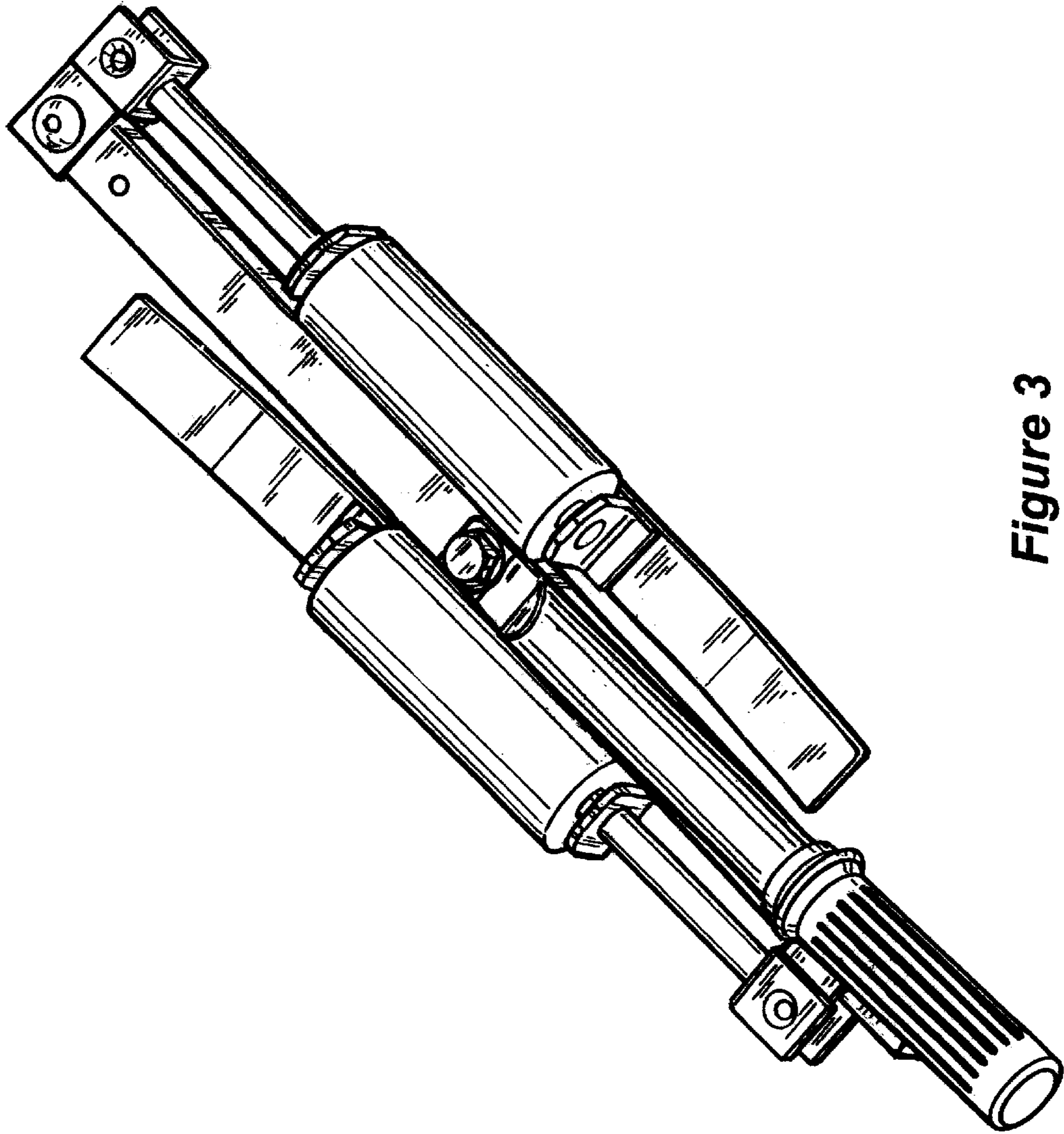


Figure 3