



US00D471336S

(12) **United States Design Patent**
Tuduri

(10) **Patent No.:** **US D471,336 S**

(45) **Date of Patent:** **** Mar. 4, 2003**

- (54) **REFUSE CONTAINER BODY**
- (75) Inventor: **Gerard Tuduri, La Touche (FR)**
- (73) Assignee: **Otto Acquistion, L.L.C., Charlotte, NC (US)**
- (**) Term: **14 Years**
- (21) Appl. No.: **29/145,316**
- (22) Filed: **Jul. 19, 2001**
- (51) **LOC (7) Cl.** **09-09**
- (52) **U.S. Cl.** **D34/5**
- (58) **Field of Search** D34/1, 5, 6, 7,
D34/8, 9, 10, 11, 24, 25; 220/908-911,
367.1, 368, 373, 374; 232/43.2; 280/47.26;
D7/391, 900

- D355,741 S * 2/1995 Craft et al. D34/5
- D365,428 S * 12/1995 Prout et al. D34/5
- D398,120 S * 9/1998 Rehrig et al. D34/5
- D416,367 S * 11/1999 Dickinson et al. D34/5
- D445,228 S * 7/2001 Apps et al. D34/5

* cited by examiner

Primary Examiner—Cynthia E. Ramirez
(74) *Attorney, Agent, or Firm*—Alston & Bird LLP

(57) **CLAIM**

The ornamental design for a refuse container body, as shown and described.

DESCRIPTION

FIG. 1 is a rear view of the refuse container body of the invention with ground contacting wheels shown in phantom lines;

FIG. 2 is a left side view of the container body shown in FIG. 1 with a lid and ground contacting wheels shown in phantom lines. The right side of the container body is a mirror image of the left side;

FIG. 3 is a front end view of the exemplary container shown in FIGS. 1 and 2;

FIG. 4 is an end view of the bottom end of the refuse container body; and,

FIG. 5 is a top end view of the refuse container body.

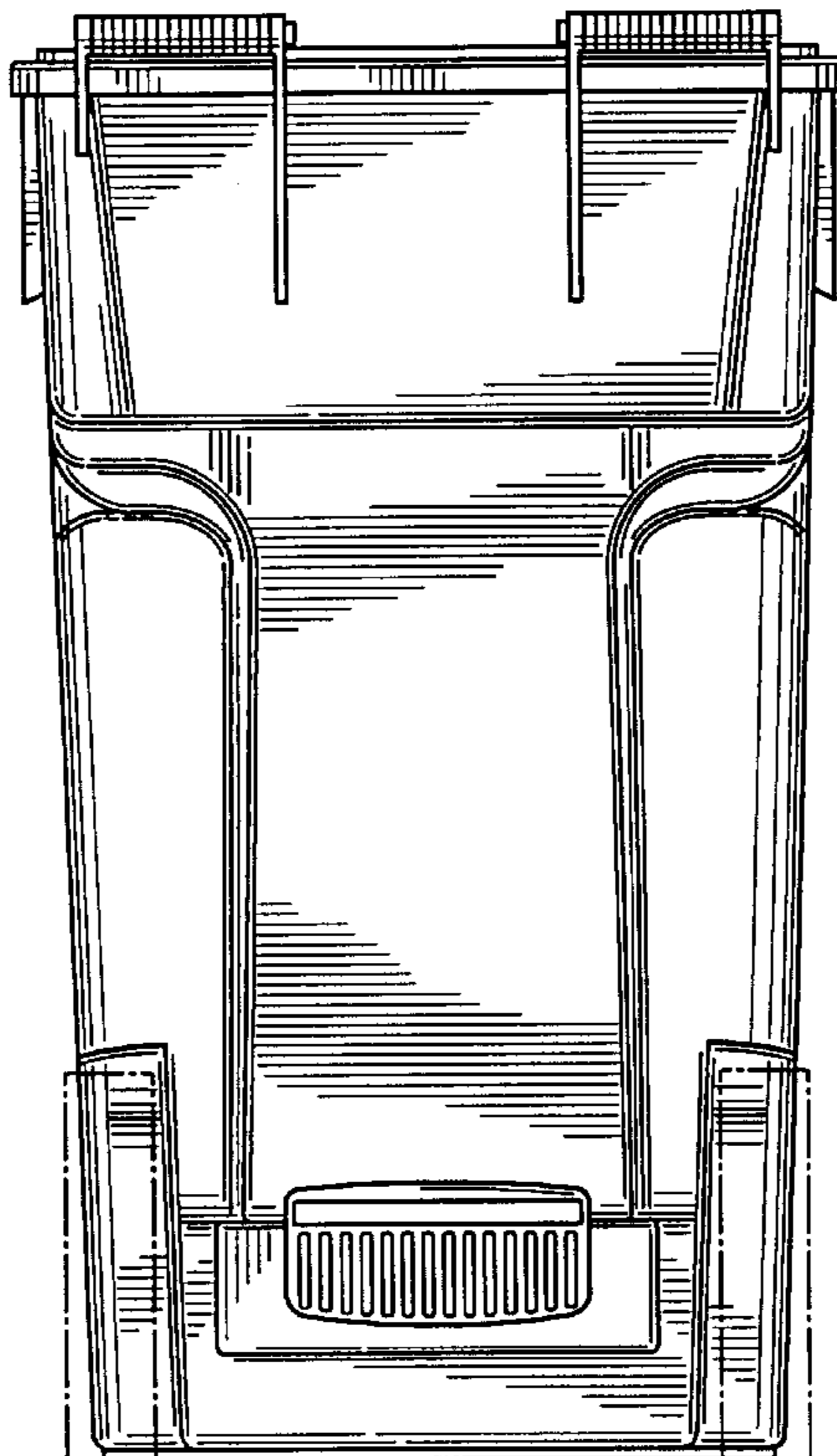
The broken line showing of the wheels and the lid in FIGS. 1 and 2 is for illustrative purposes only and forms no part of the claimed design.

(56) **References Cited**

U.S. PATENT DOCUMENTS

- D231,184 S * 4/1974 Brown et al. D34/6
- D270,675 S * 9/1983 Parker D34/5
- D280,459 S * 9/1985 McClelland D34/8
- D291,738 S * 9/1987 Orłowski D34/5
- D291,739 S * 9/1987 Orłowski D34/5
- D292,638 S * 11/1987 Carville D34/5
- 4,930,649 A * 6/1990 Moser 220/367.1
- D313,491 S * 1/1991 Edelhoff et al. D34/5
- D343,490 S * 1/1994 Ramsey D34/5
- D345,837 S * 4/1994 Bean D34/5
- D347,095 S * 5/1994 Apps et al. D34/5

1 Claim, 2 Drawing Sheets



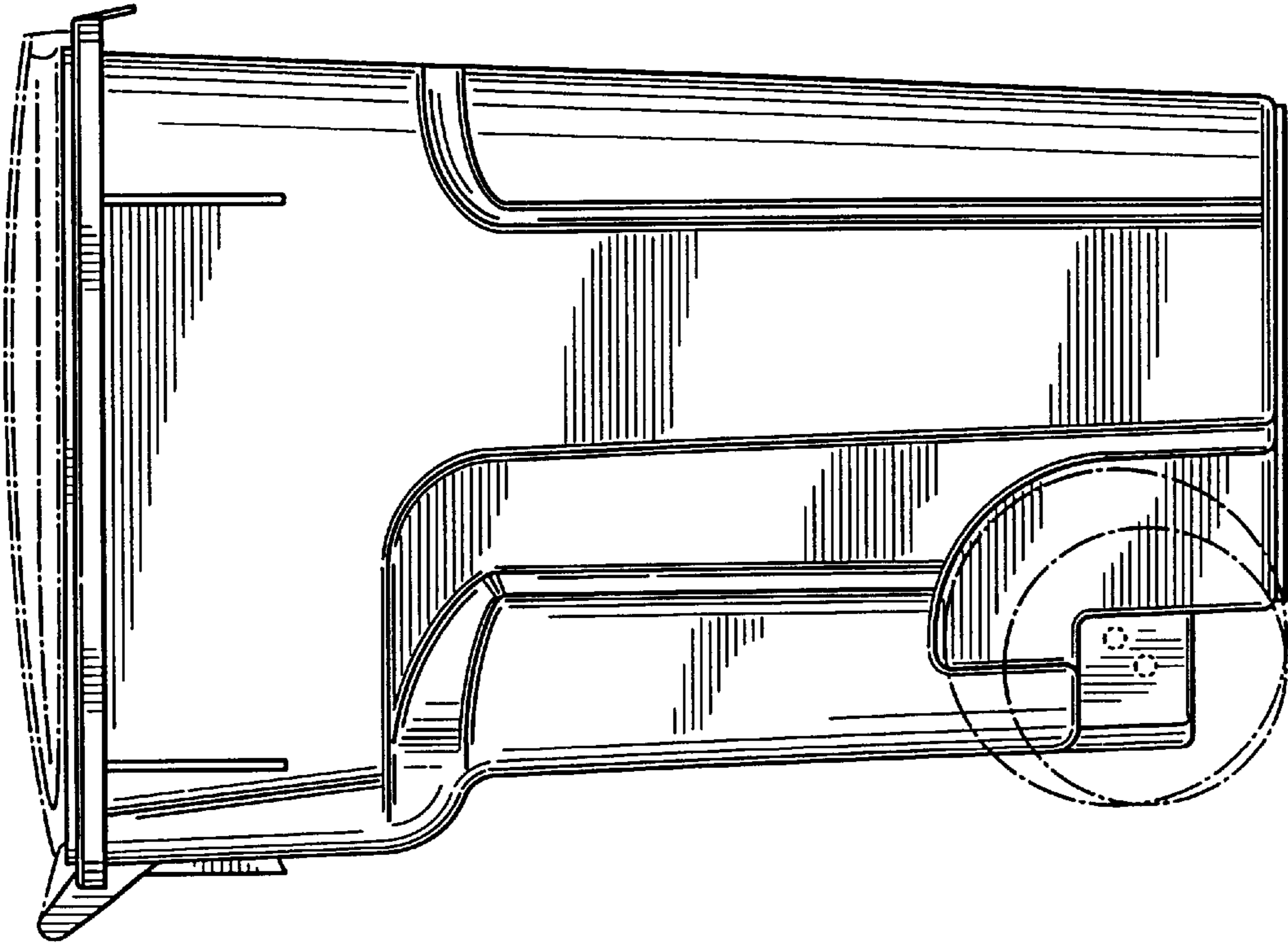


FIG. 2

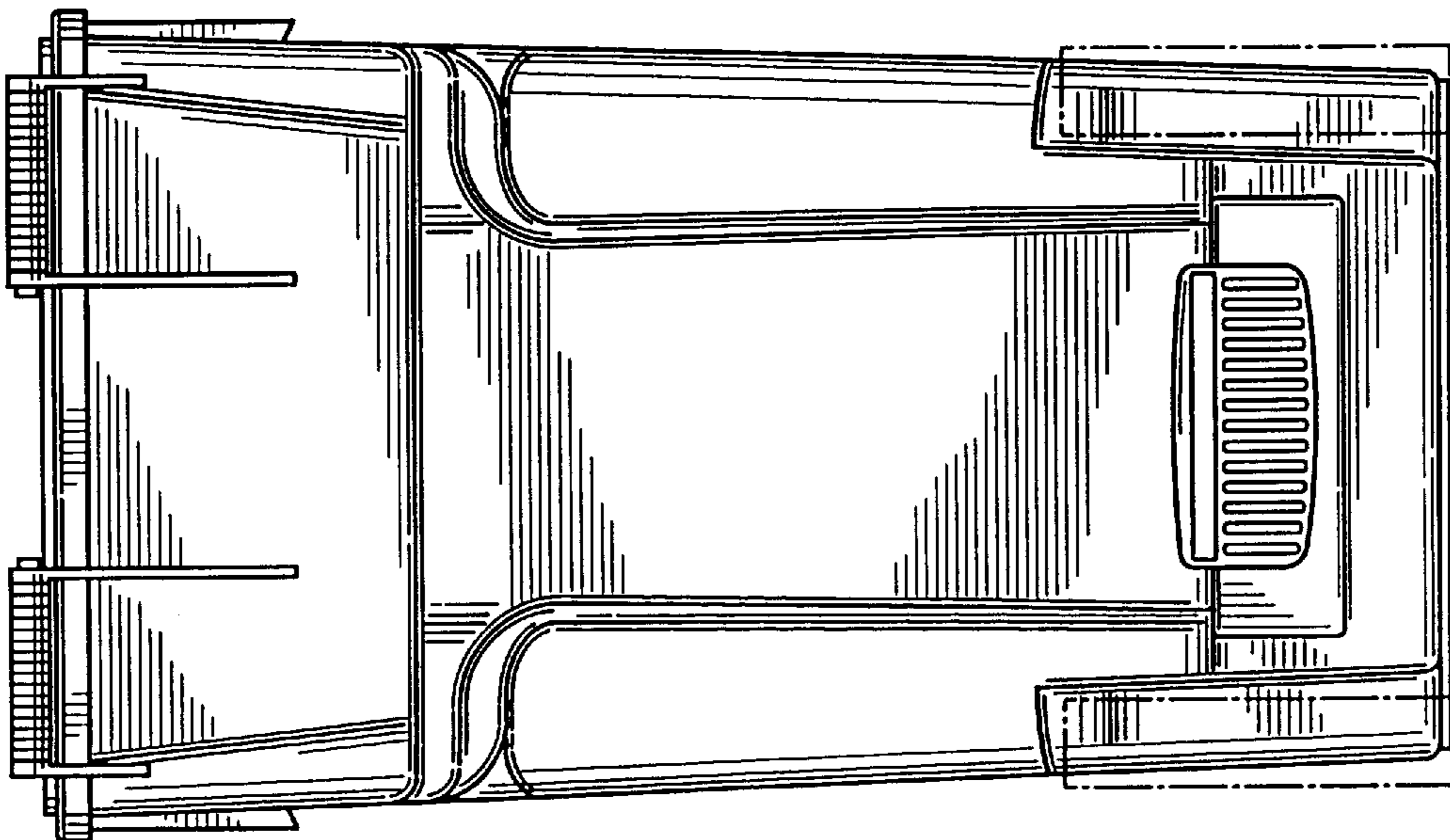


FIG. 1

FIG. 3

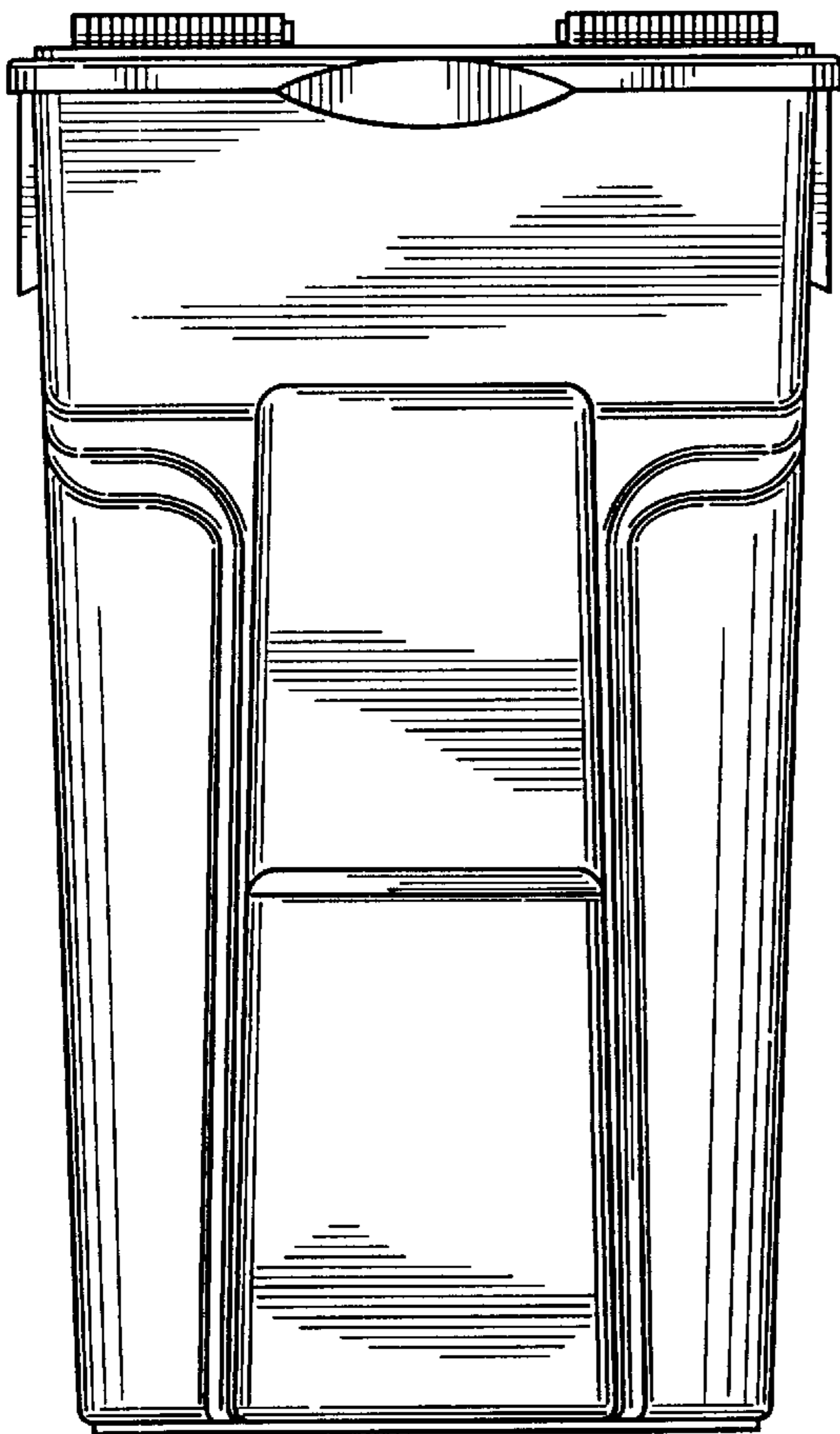


FIG. 4

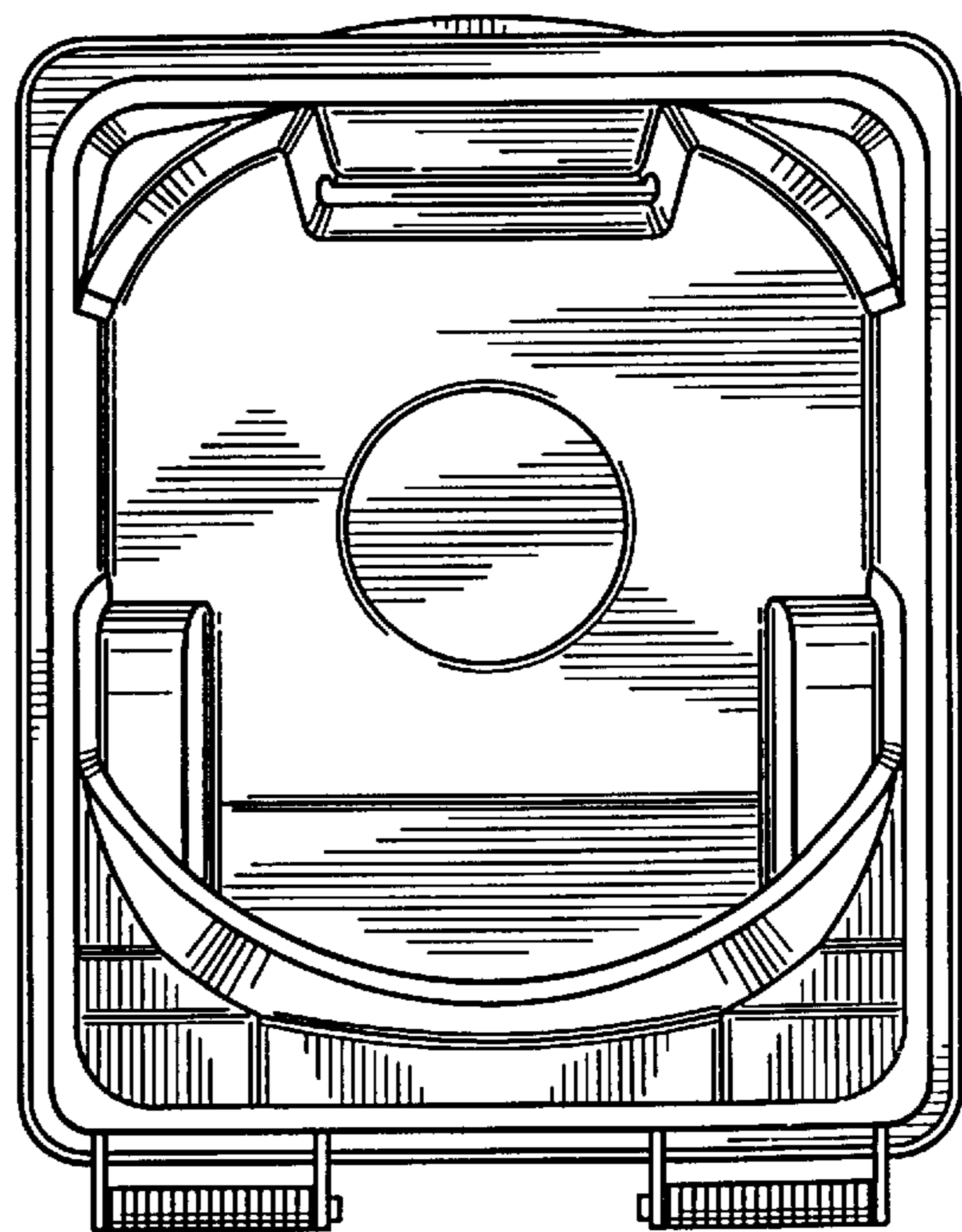
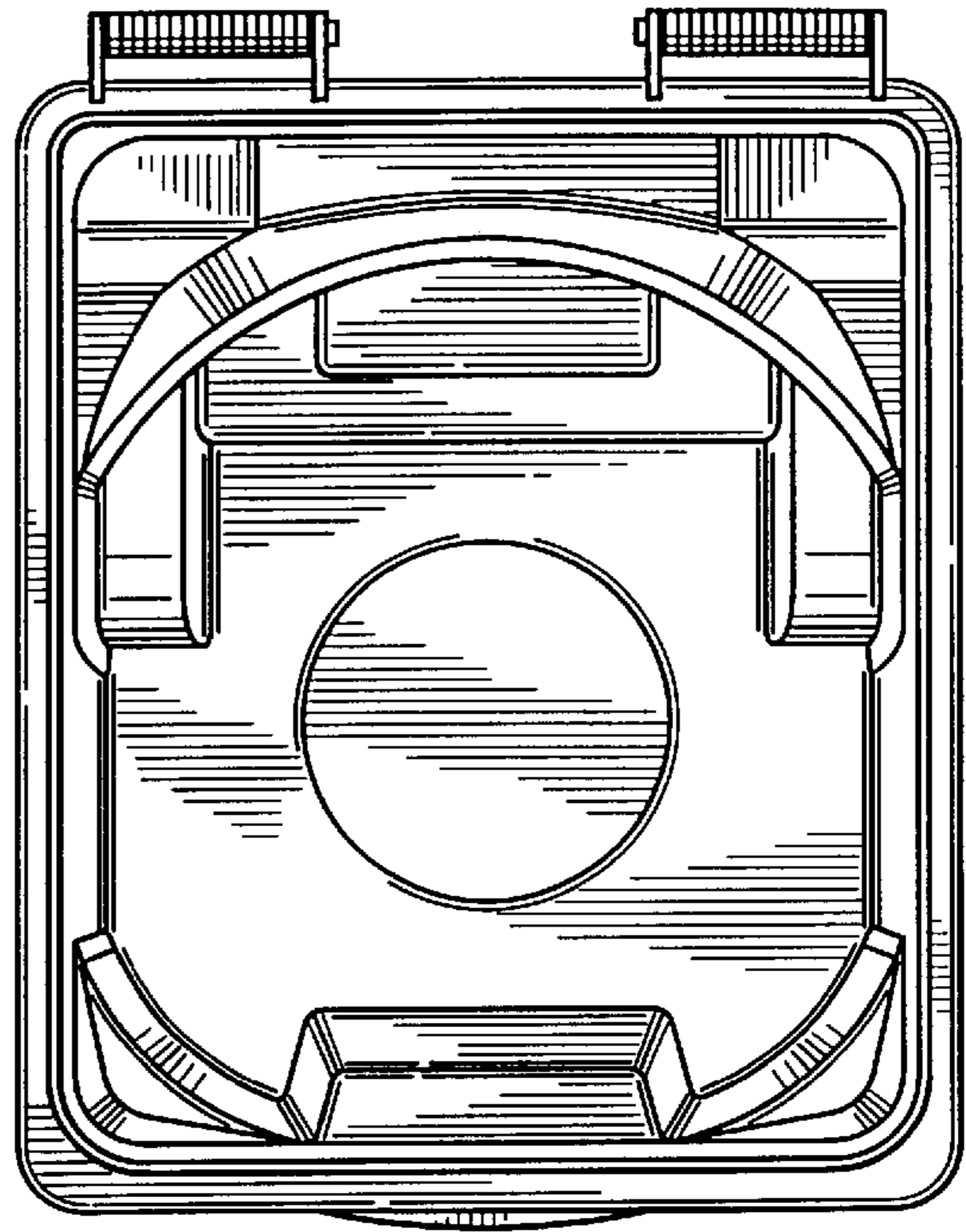


FIG. 5