



US00D471334S

(12) **United States Design Patent**
Reede

(10) **Patent No.:** **US D471,334 S**

(45) **Date of Patent:** **** Mar. 4, 2003**

(54) **FLOOR SCRUBBER**

5,625,918 A * 5/1997 Kieson et al. 15/119.2

(76) Inventor: **Dwayne E Reede**, 22 Jefferson St.,
Norwalk, CT (US) 06851

* cited by examiner

(**) Term: **14 Years**

Primary Examiner—Jennifer Rivard

(21) Appl. No.: **29/167,569**

(57) **CLAIM**

(22) Filed: **Sep. 17, 2002**

The ornamental design for a floor scrubber, as shown.

Related U.S. Application Data

DESCRIPTION

(62) Division of application No. 29/137,369, filed on Feb. 20,
2001.

FIG. 1 is a top, front and side perspective view.

(51) **LOC (7) Cl.** **04-01**

FIG. 2 is a top view.

(52) **U.S. Cl.** **D32/50**

FIG. 3 is a side view.

(58) **Field of Search** D32/40, 50; 15/116.2,
15/119.2, 228, 244.1, 244.2, 209.1, 208,
144.2

FIG. 4 is a front view.

FIG. 5 is a rear view.

FIG. 6 is a side view; and,

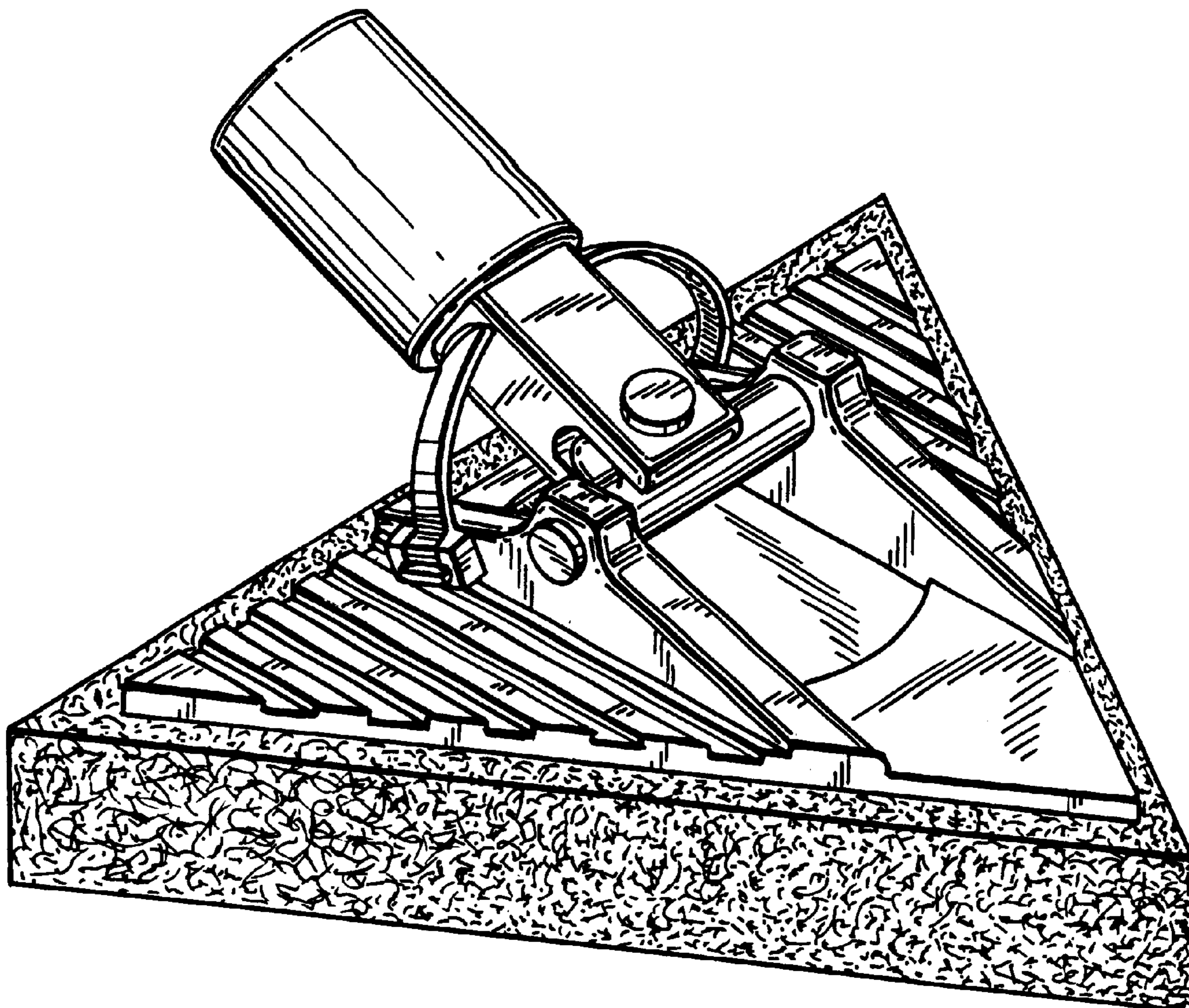
FIG. 7 is bottom view.

(56) **References Cited**

U.S. PATENT DOCUMENTS

D280,248 S * 8/1985 Hanson, Jr. D32/50

1 Claim, 3 Drawing Sheets



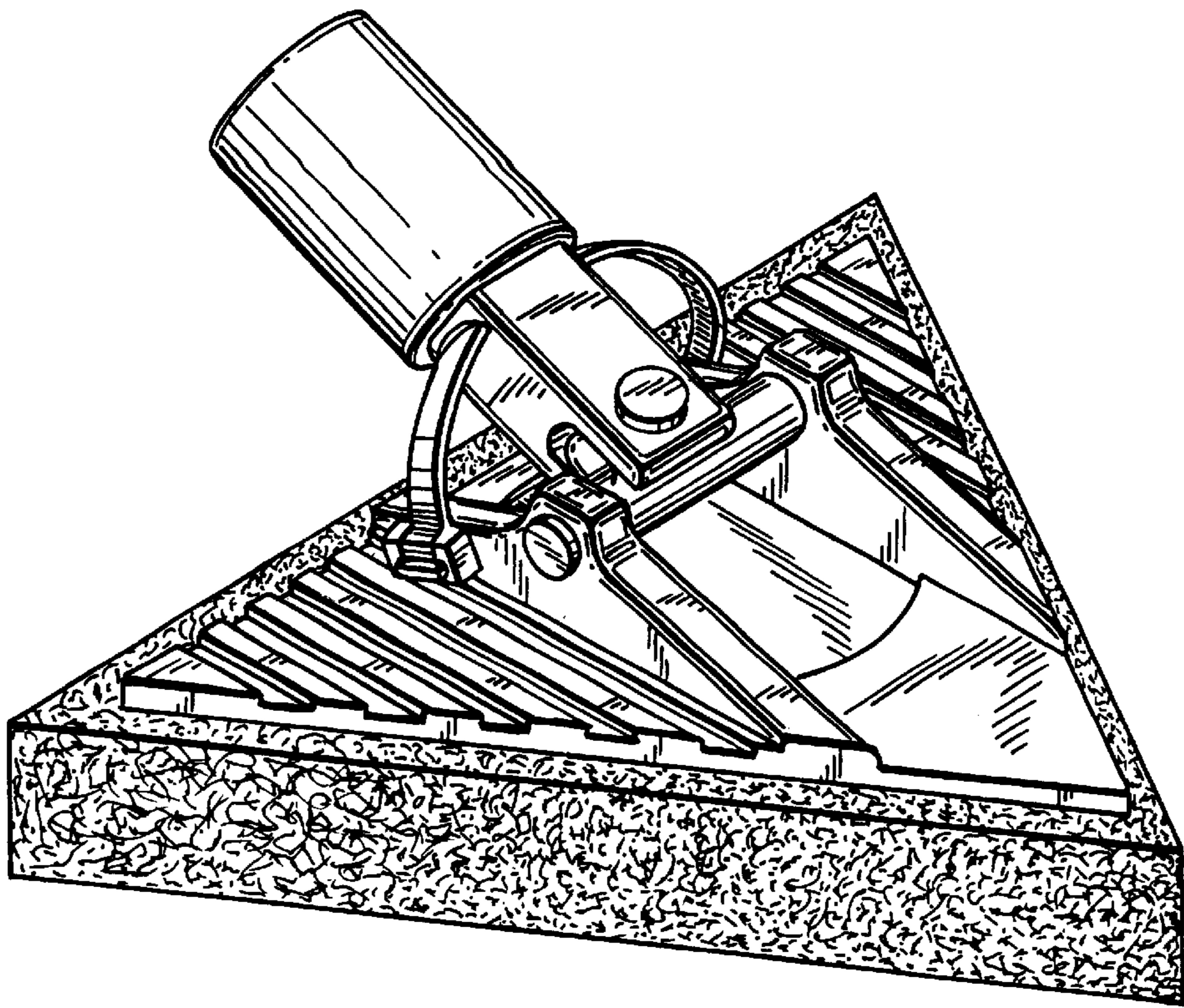


FIG. 1

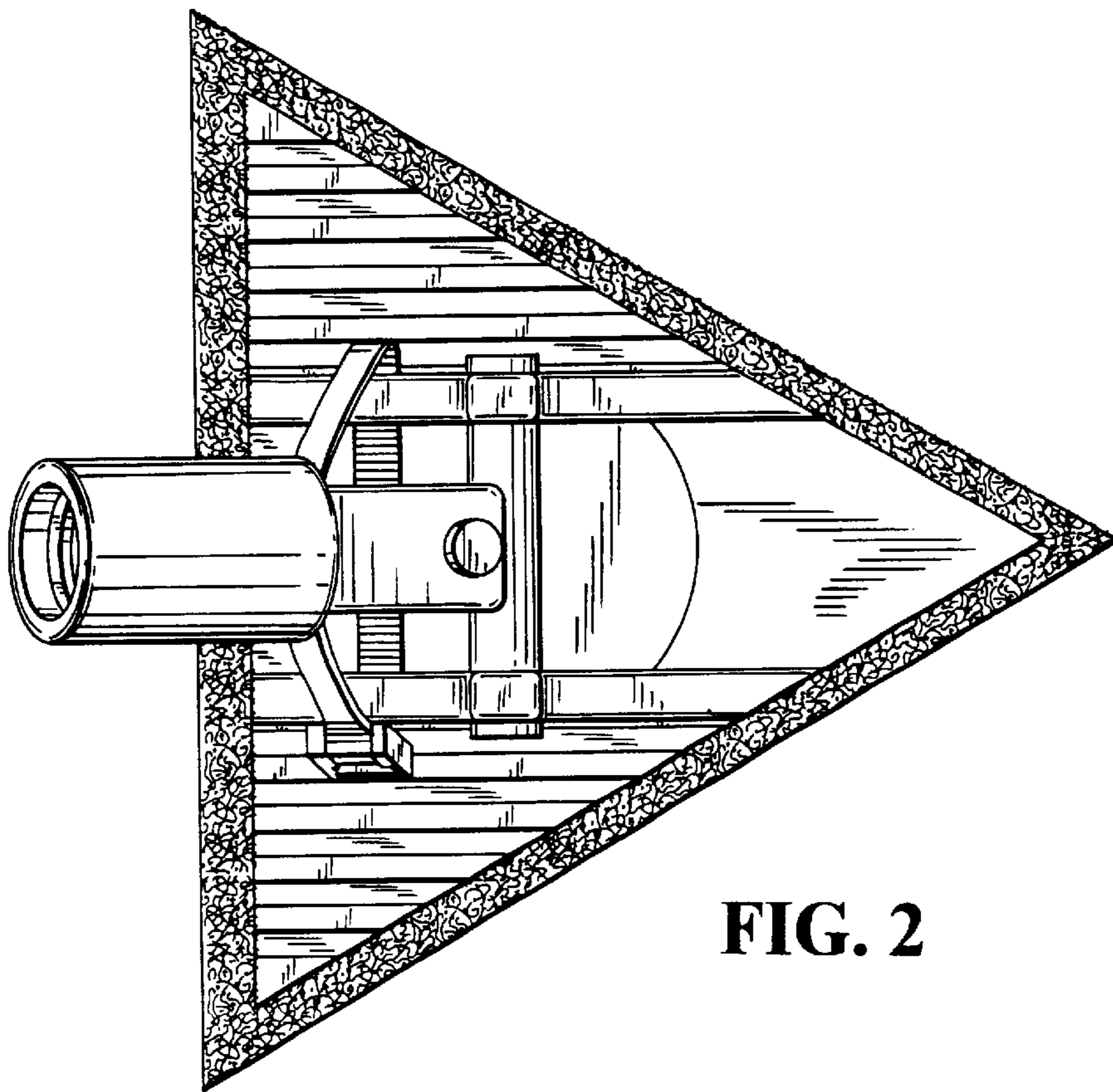


FIG. 2

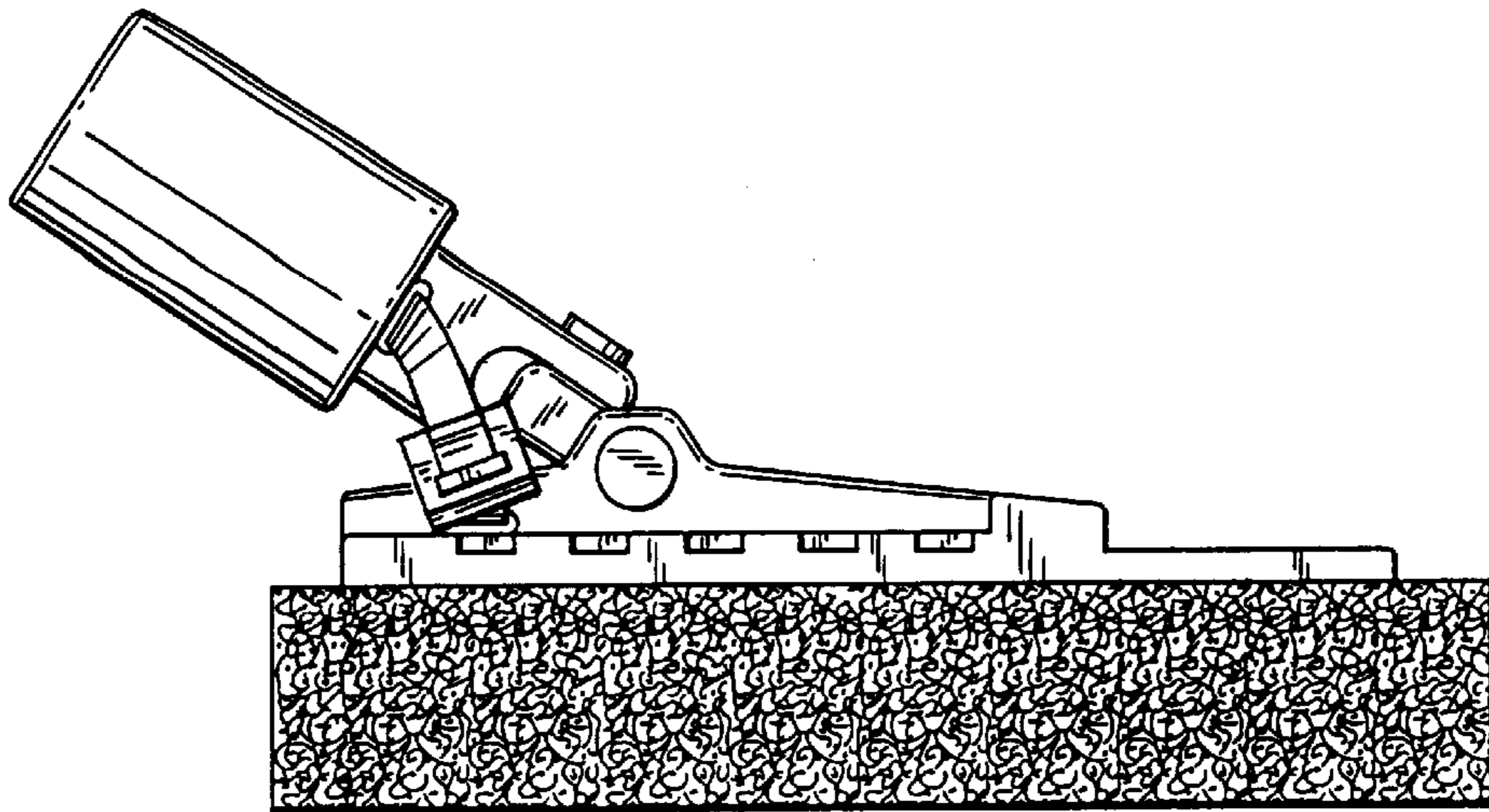


FIG. 3

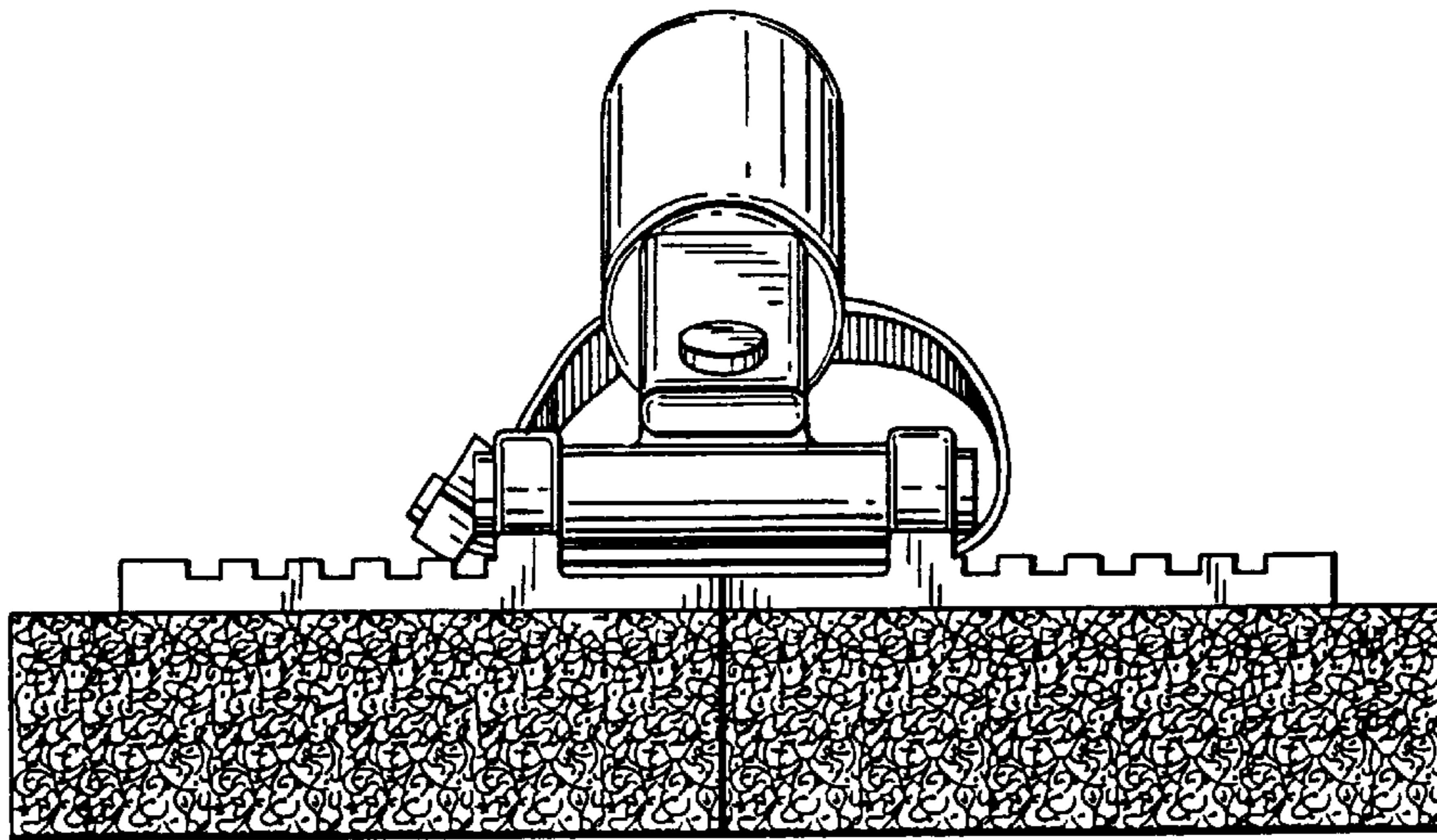


FIG. 4

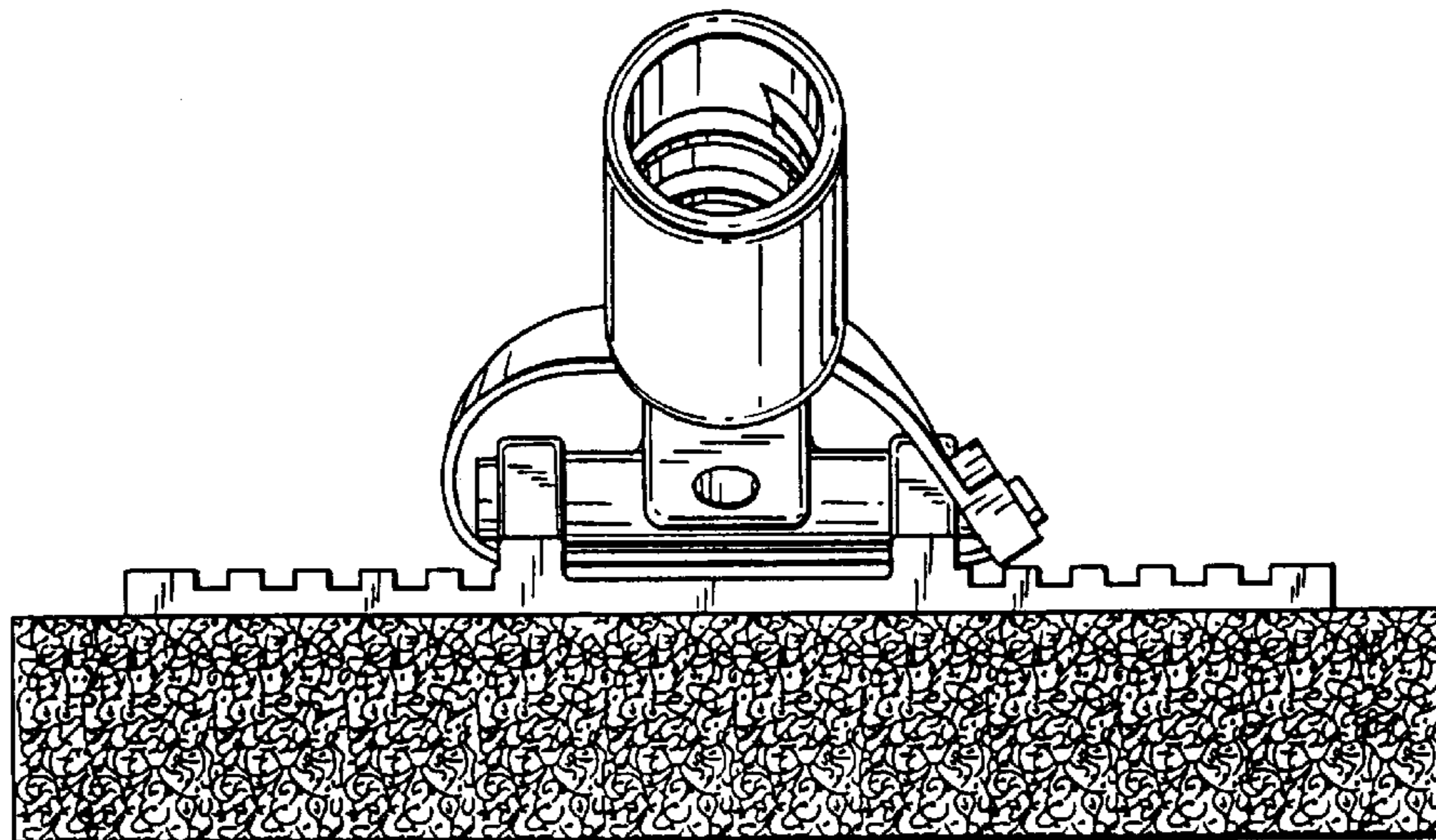


FIG. 5

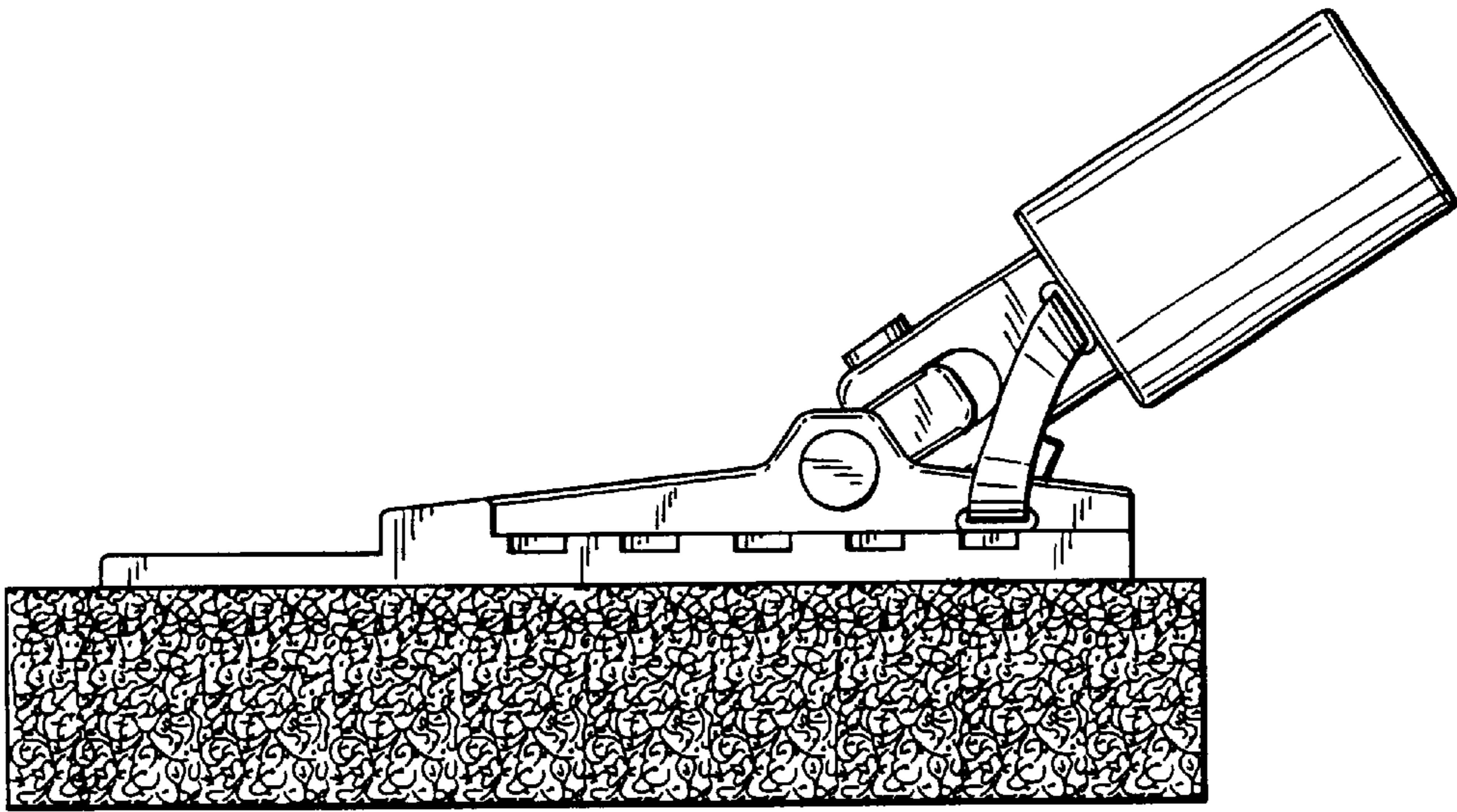


FIG. 6

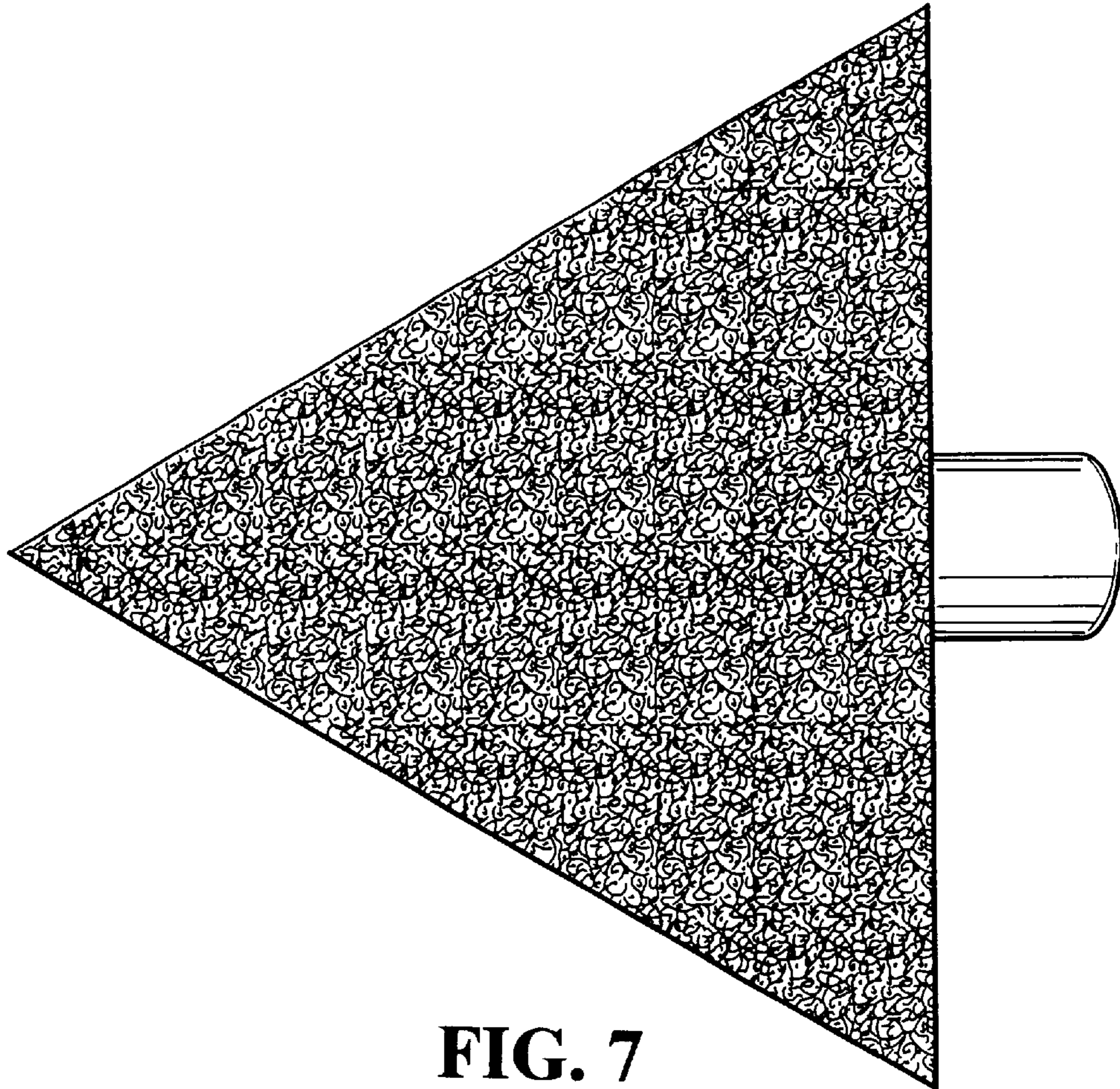


FIG. 7