



US00D471332S

(12) **United States Design Patent**
Haegermarck et al.

(10) **Patent No.:** **US D471,332 S**

(45) **Date of Patent:** **** Mar. 4, 2003**

(54) **BRUSH ROLL FOR A VACUUM CLEANER**

(75) Inventors: **Anders Haegermarck**, Trangsund (SE);
Ulrik Danestad, Vastervik (SE)

(73) Assignee: **Aktibolaget Electrolux**, Stockholm
(SE)

(**) Term: **14 Years**

(21) Appl. No.: **29/148,150**

(22) Filed: **Sep. 14, 2001**

(30) **Foreign Application Priority Data**

Mar. 16, 2001 (SE) 01-0481

(51) **LOC (7) Cl.** **15-05**

(52) **U.S. Cl.** **D32/31**

(58) **Field of Search** D32/31, 25, 33;
15/23, 179, 182, 141.2, 366, 383, 207.2,
41.1, 5; 492/13

(56) **References Cited**

U.S. PATENT DOCUMENTS

D52,238 S * 7/1918 Hoover D32/31
D125,786 S * 3/1941 Schaad D32/31
3,076,219 A * 2/1963 Peterson 15/179

D222,702 S * 12/1971 Schaefer D32/31
3,828,387 A * 8/1974 Liebscher 15/182
4,042,997 A * 8/1977 McDowell et al. 15/366
4,177,536 A * 12/1979 Powers 15/182
4,646,380 A * 3/1987 Kobayashi et al. 15/41.1
4,777,691 A * 10/1988 Richmond et al. 15/182
5,495,634 A * 3/1996 Brundula et al. 15/182
5,819,357 A * 10/1998 Gould 15/182

* cited by examiner

Primary Examiner—Ruth McInroy

(74) *Attorney, Agent, or Firm*—Pearne & Gordon LLP

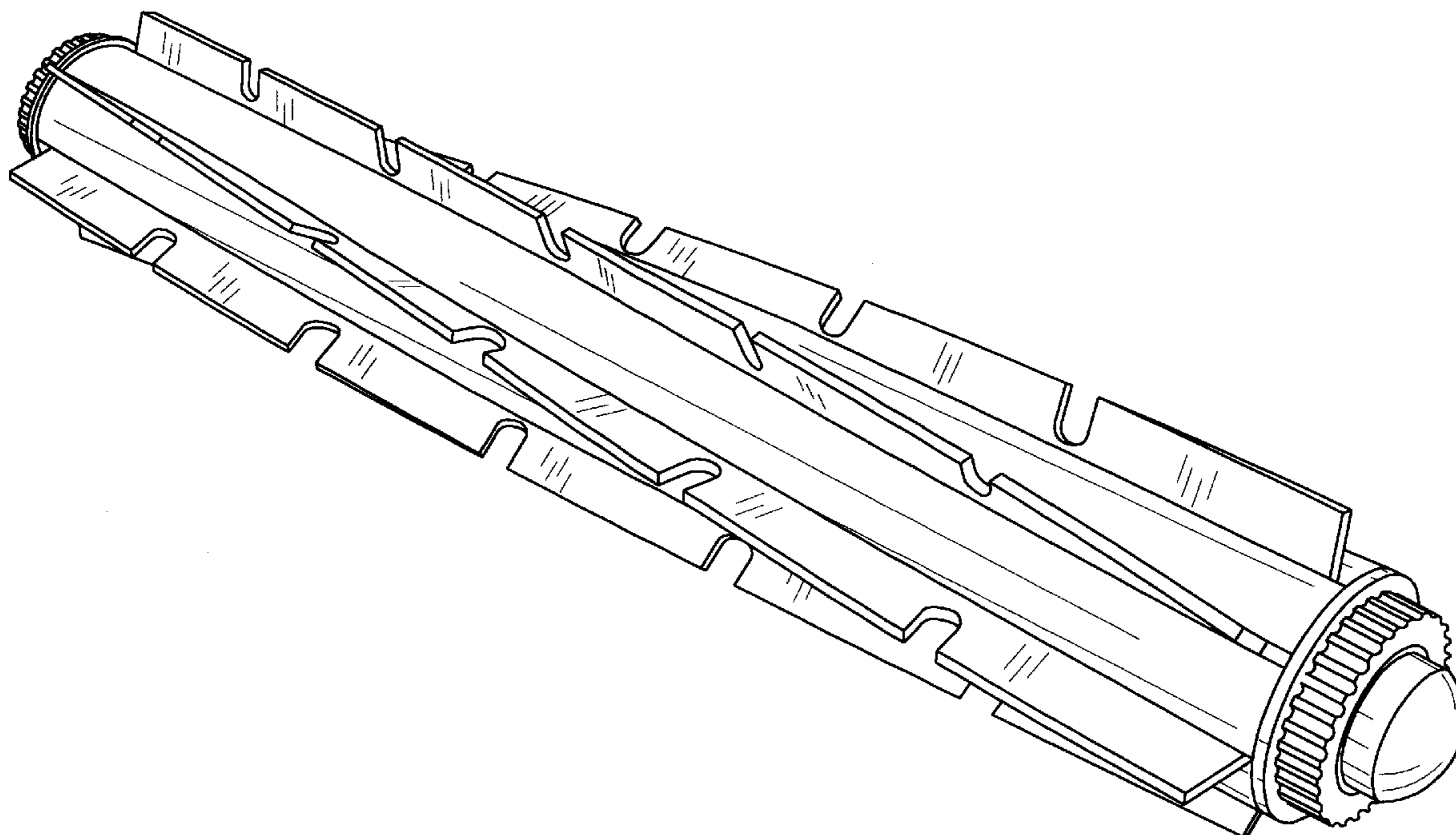
(57) **CLAIM**

The ornamental design for a brush roll for a vacuum cleaner,
as shown and described.

DESCRIPTION

FIG. 1 is a perspective view of a brush roll for a vacuum
cleaner showing our new design;
FIG. 2 is a front elevation view thereof; the rear being the
same;
FIG. 3 is a left side elevation view thereof; the right side
being the same; and,
FIG. 4 is a top plan view thereof; the bottom being the same.

1 Claim, 2 Drawing Sheets



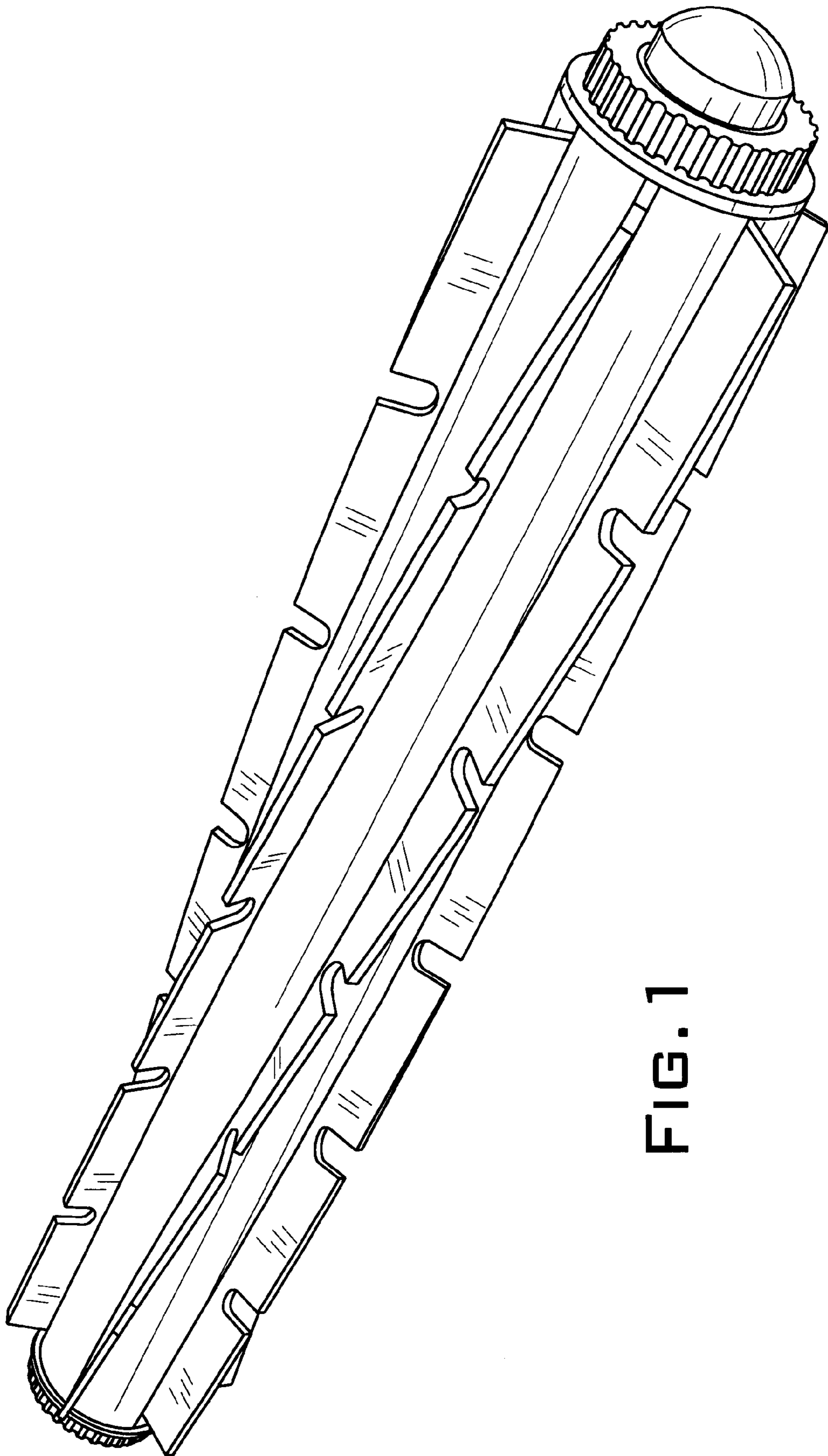


FIG. 1

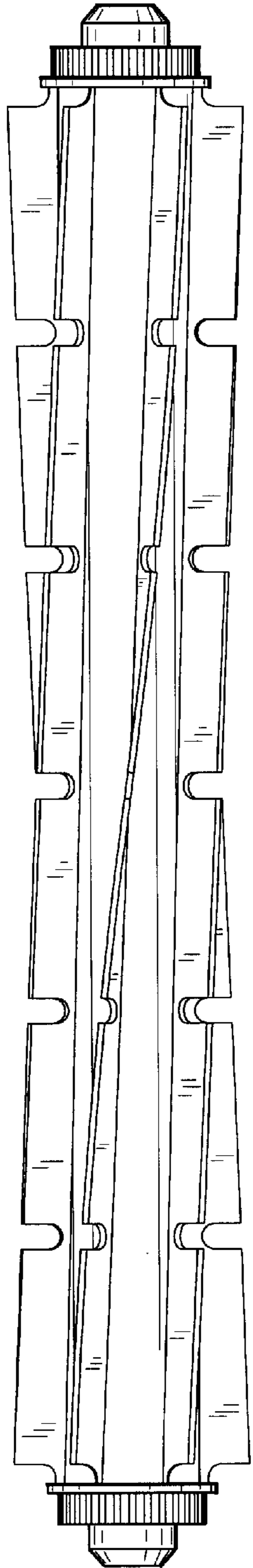


FIG. 4

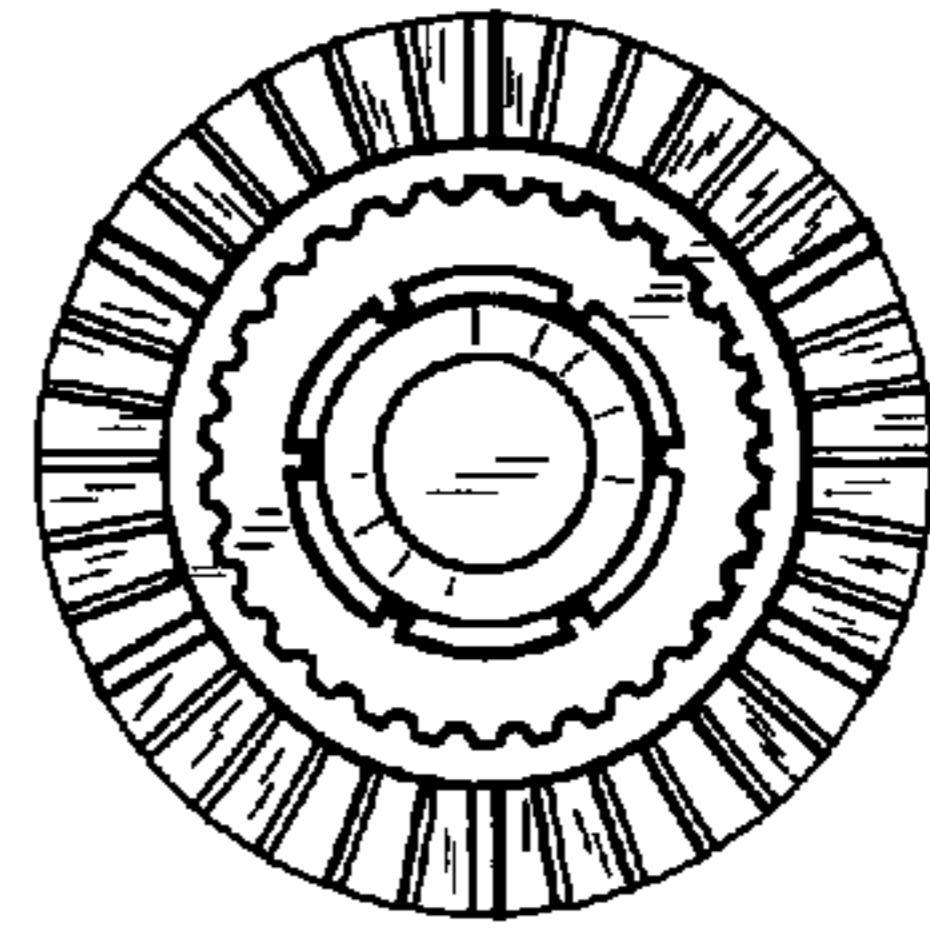


FIG. 3

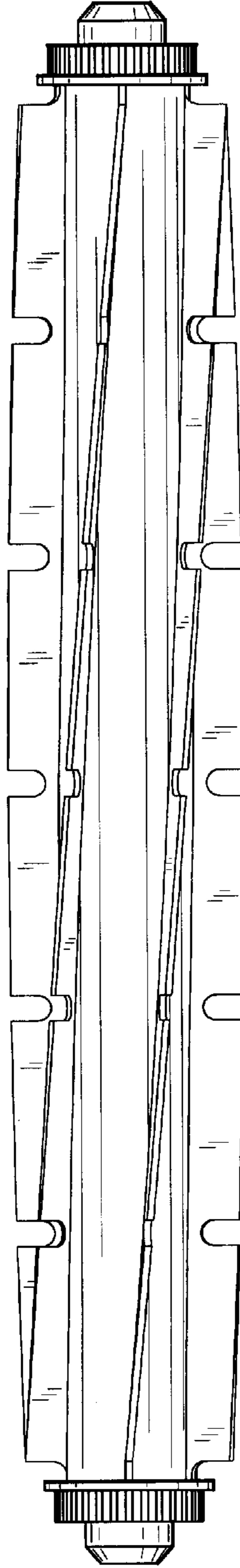


FIG. 2

UNITED STATES PATENT AND TRADEMARK OFFICE
CERTIFICATE OF CORRECTION

PATENT NO. : Des. 471,332 S
DATED : March 4, 2003
INVENTOR(S) : Anders Haegermarck et al.

Page 1 of 1

It is certified that error appears in the above-identified patent and that said Letters Patent is hereby corrected as shown below:

Title page,

Item [73], Assignee, please delete “**Aktibolaget**”, and insert therefore
-- **Aktiebolaget** --.

Signed and Sealed this

Thirtieth Day of December, 2003

A handwritten signature in black ink, appearing to read "James E. Rogan", written over a horizontal line.

JAMES E. ROGAN
Director of the United States Patent and Trademark Office