



US00D471331S

(12) **United States Design Patent**  
**Pan**

(10) **Patent No.:** **US D471,331 S**

(45) **Date of Patent:** **\*\* Mar. 4, 2003**

(54) **DUST COLLECTOR**

(76) Inventor: **Hui Pan**, Room 504, Building 27, New Lihe Town, Suzhou City, Jiangsu Province (CN), 215006

(\*\*) Term: **14 Years**

(21) Appl. No.: **29/136,895**

(22) Filed: **Feb. 9, 2001**

(51) **LOC (7) Cl.** ..... **15-05**

(52) **U.S. Cl.** ..... **D32/18**

(58) **Field of Search** ..... D32/17-18, 25, D32/31; 15/344, 329, 402; D4/102, 127, 128

(56) **References Cited**

**U.S. PATENT DOCUMENTS**

|            |   |        |                  |       |        |
|------------|---|--------|------------------|-------|--------|
| D150,177 S | * | 7/1948 | Vose             | ..... | D32/17 |
| D294,412 S | * | 2/1988 | Sadashima et al. | ..... | D32/18 |
| D303,170 S | * | 8/1989 | Hirano           | ..... | D32/18 |
| D315,816 S | * | 3/1991 | Ferrari et al.   | ..... | D32/18 |

|            |   |        |              |       |        |
|------------|---|--------|--------------|-------|--------|
| D379,691 S | * | 6/1997 | Moine et al. | ..... | D32/18 |
| D445,972 S | * | 7/2001 | Doria        | ..... | D32/17 |

\* cited by examiner

*Primary Examiner*—Ruth McInroy

(74) *Attorney, Agent, or Firm*—Dennison, Schultz & Dougherty

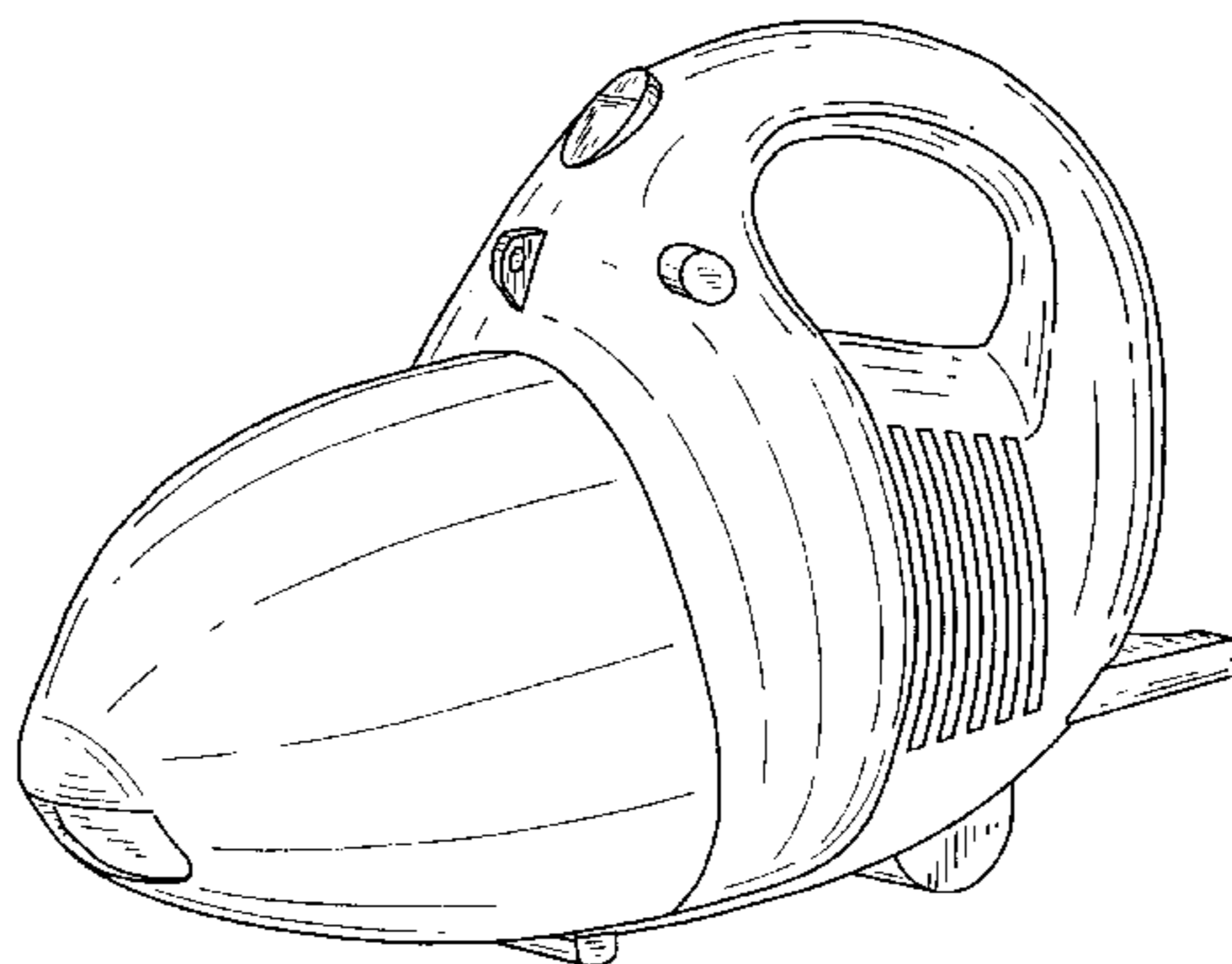
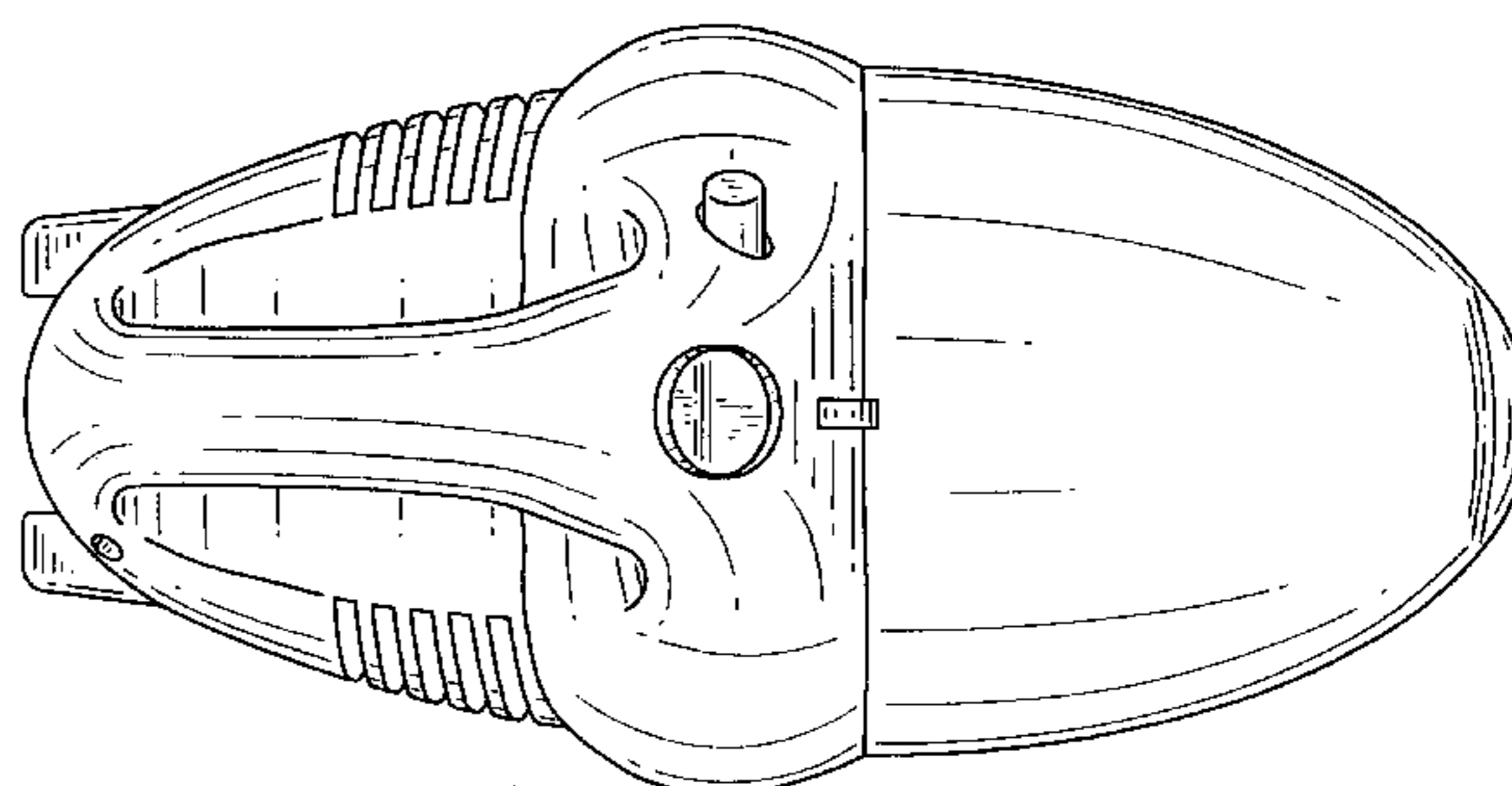
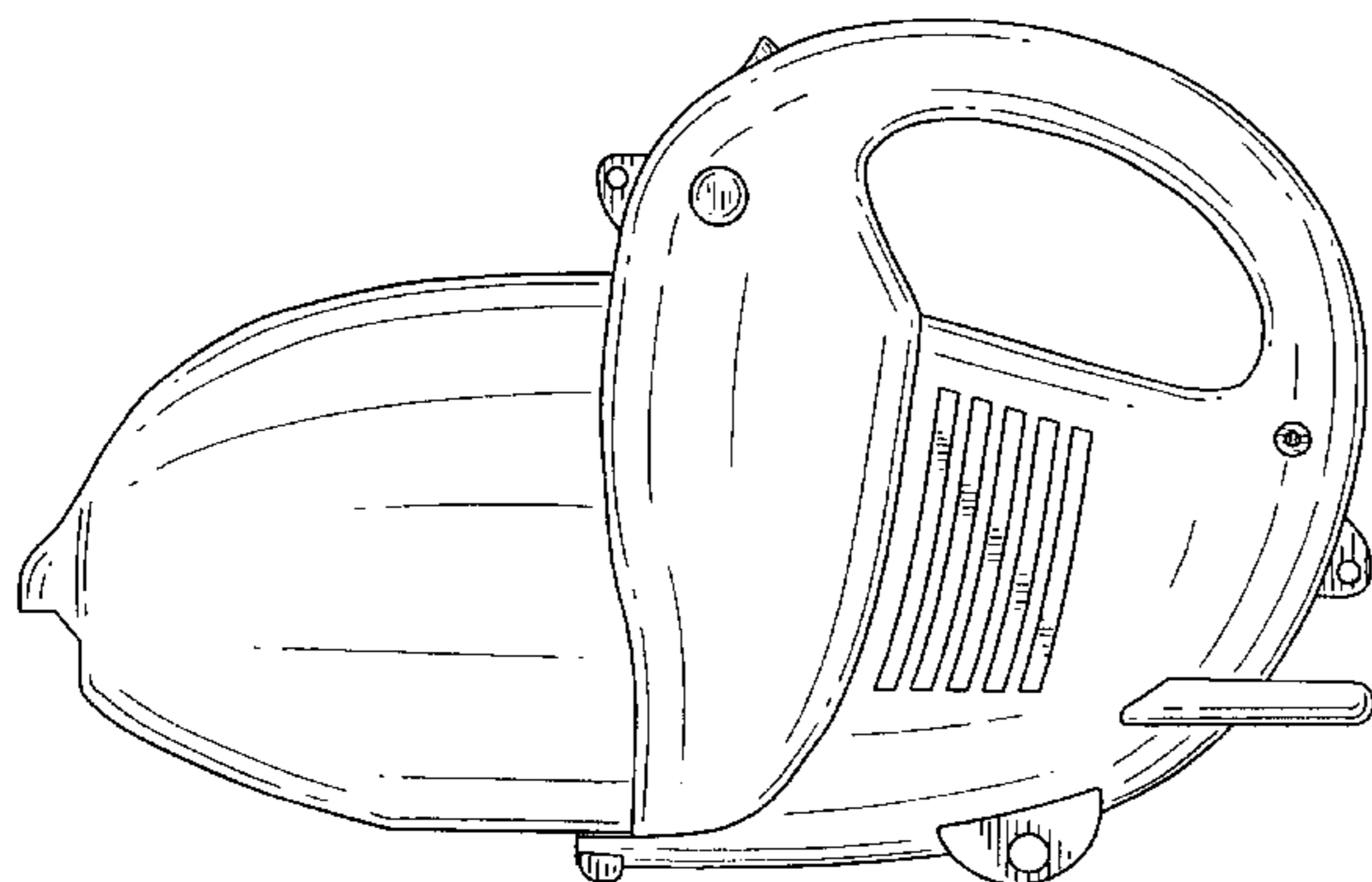
(57) **CLAIM**

The ornamental design for a dust collector, as shown and described.

**DESCRIPTION**

FIG. 1 is a front elevation view of a dust collector showing my new design;  
FIG. 2 is a rear elevation view thereof;  
FIG. 3 is a top plan view thereof;  
FIG. 4 is a bottom plan view thereof;  
FIG. 5 is a left end elevation view thereof;  
FIG. 6 is a right end elevation view thereof; and,  
FIG. 7 is a perspective thereof.

**1 Claim, 4 Drawing Sheets**



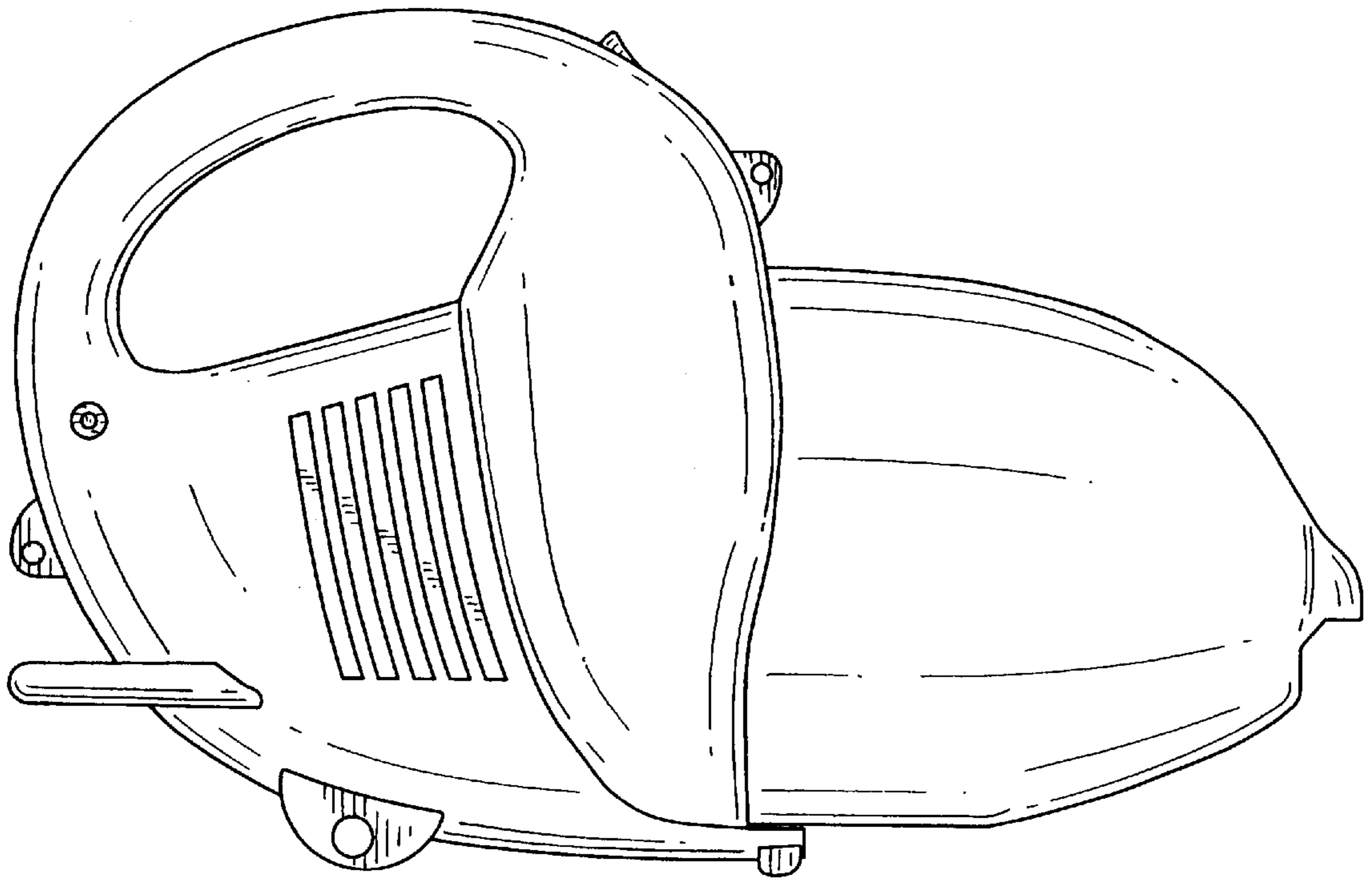


FIG. 2

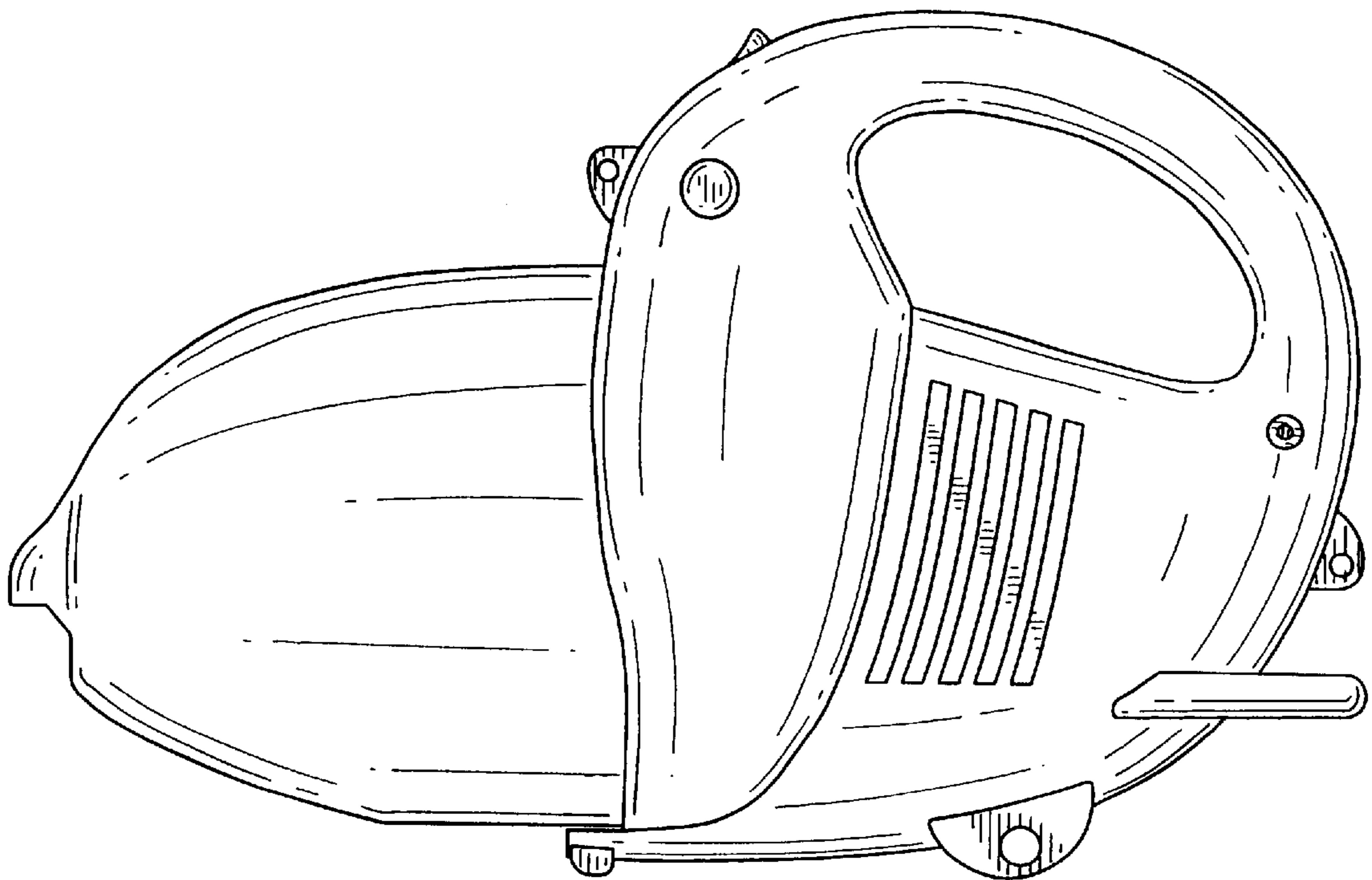


FIG. 1

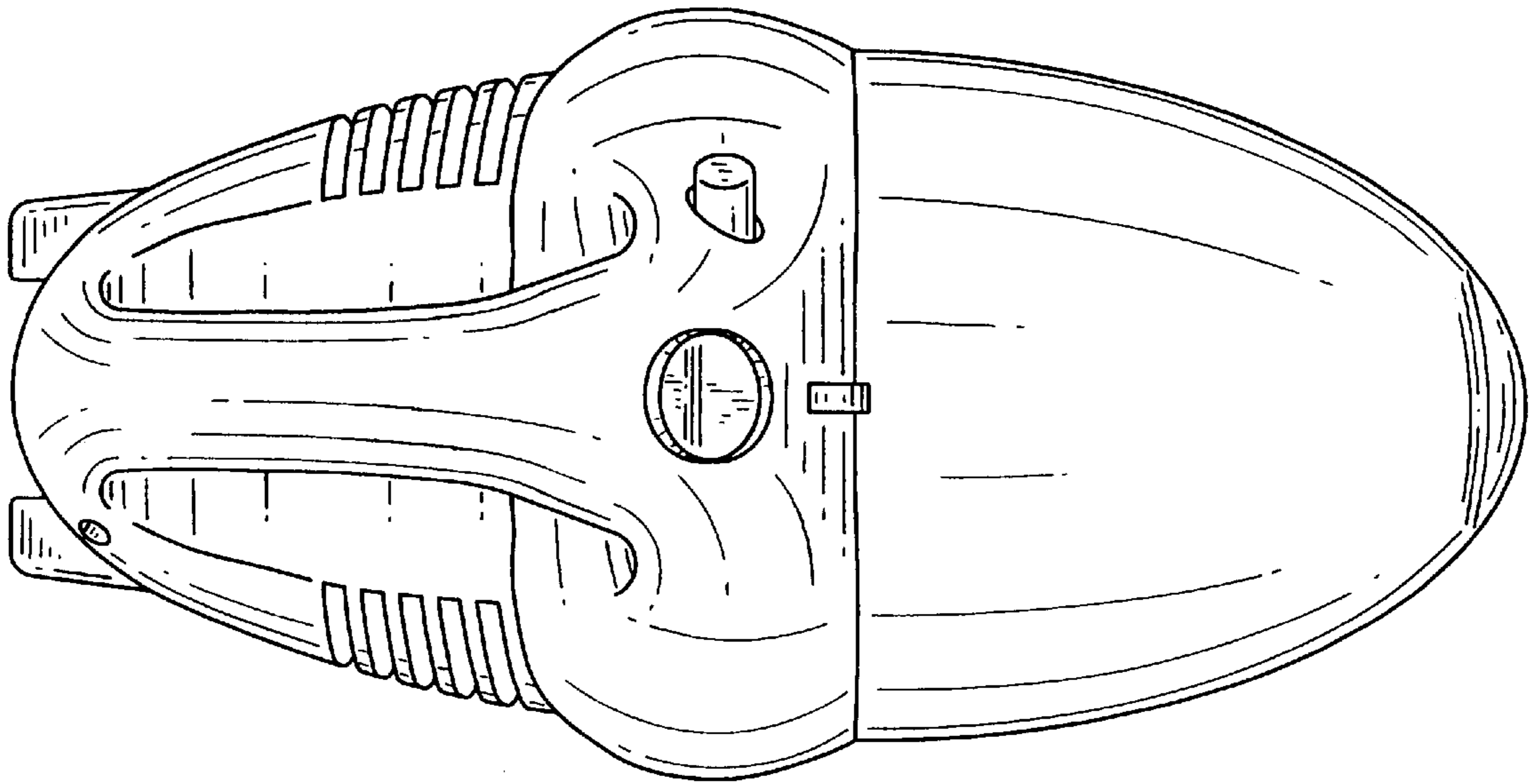


FIG. 3

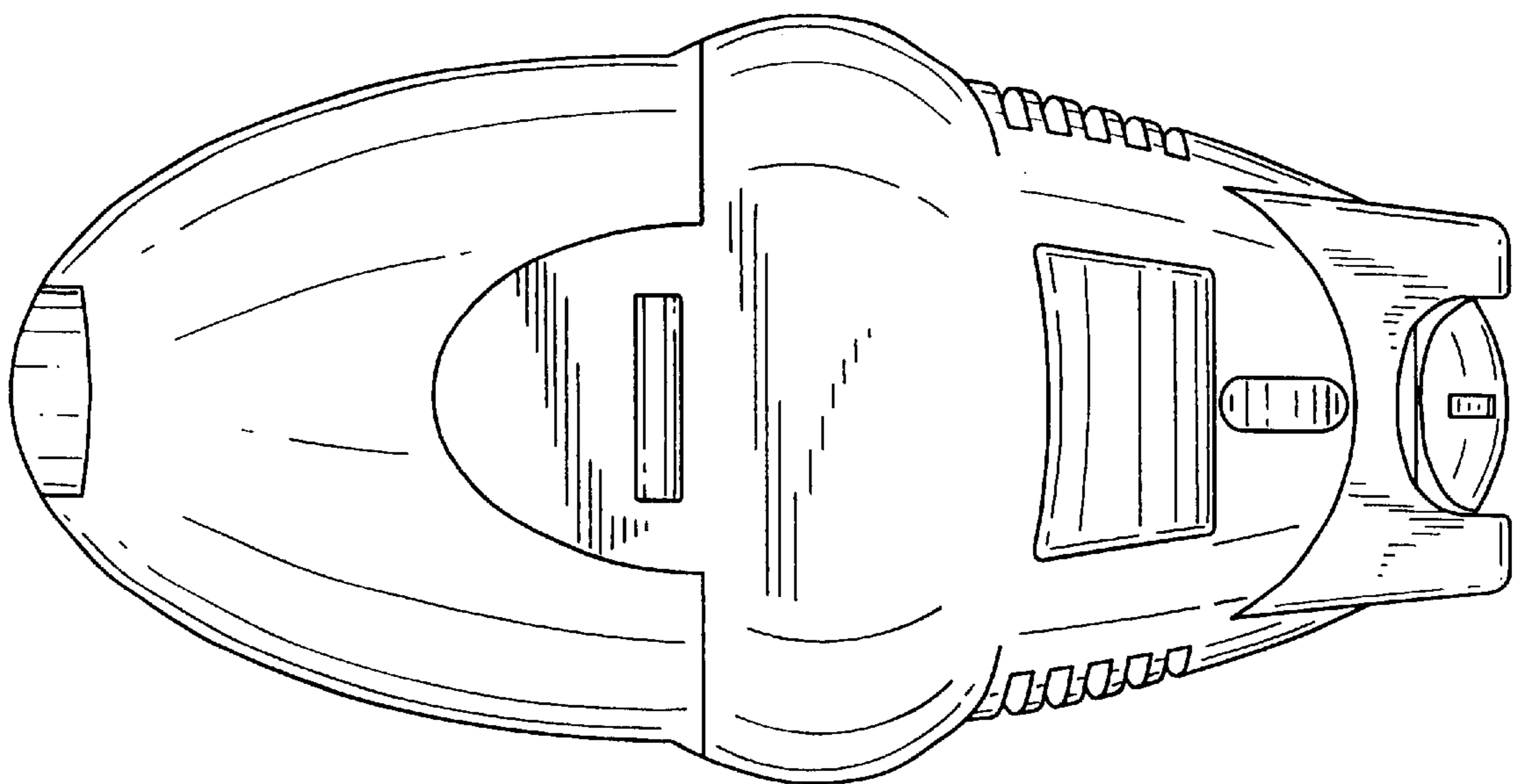


FIG. 4

FIG. 5

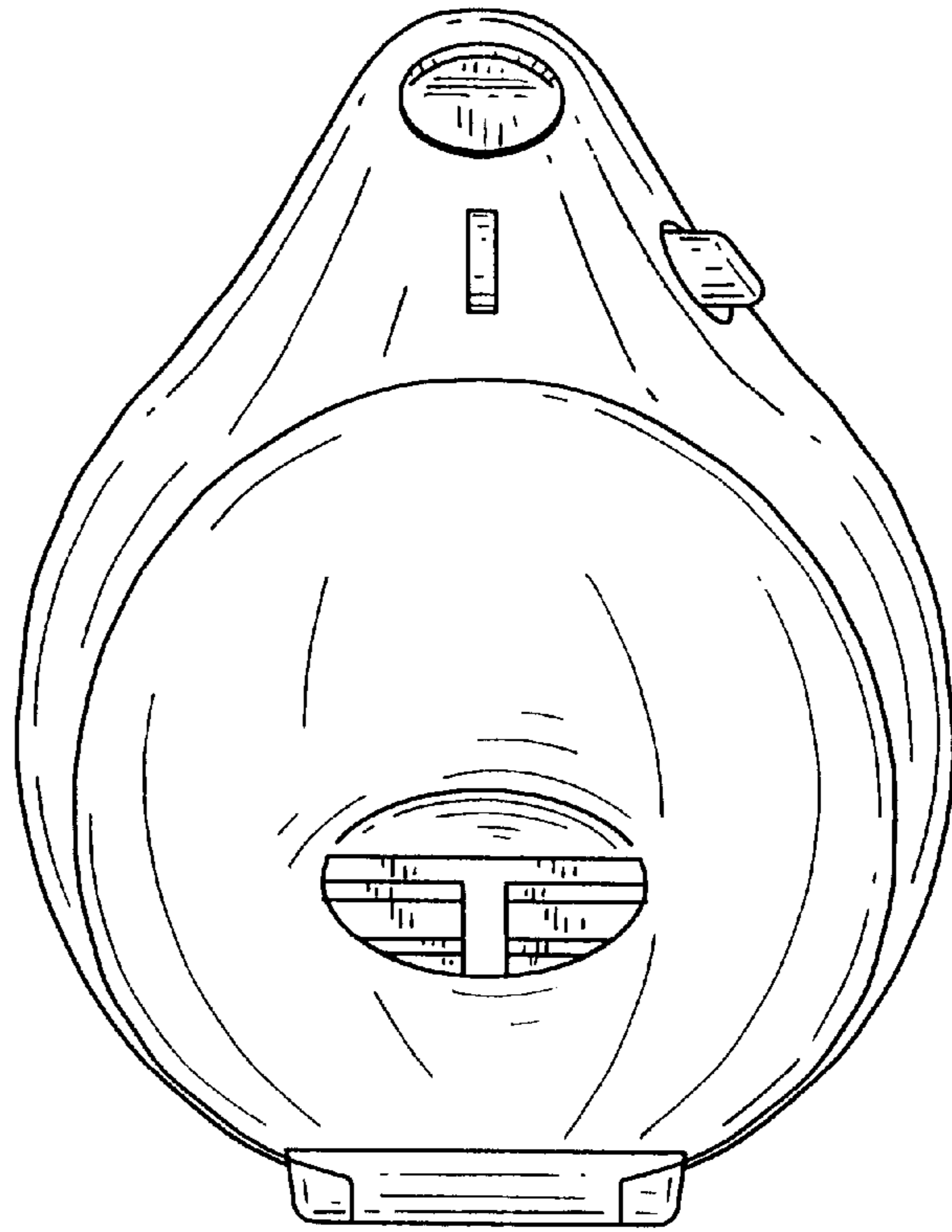
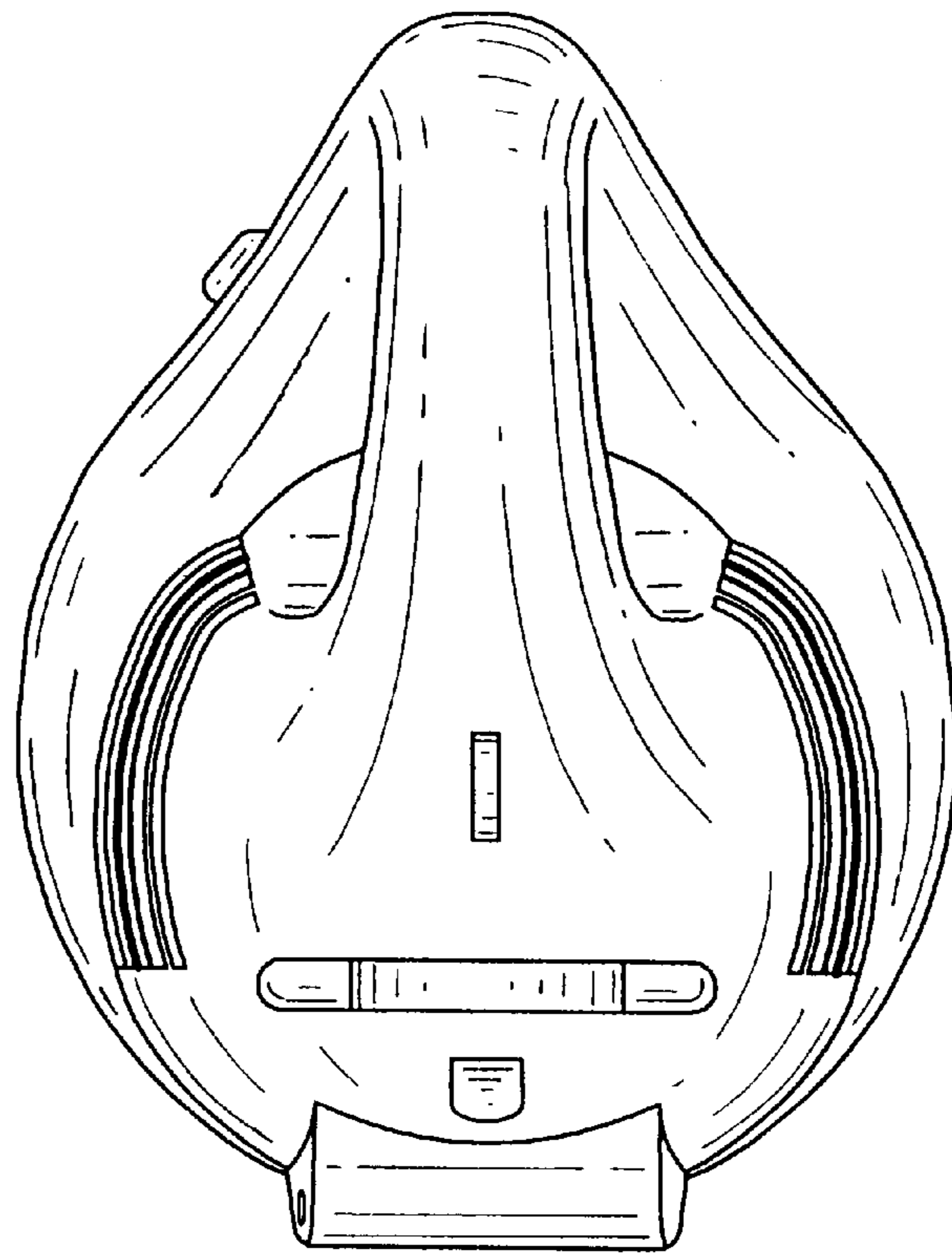


FIG. 6



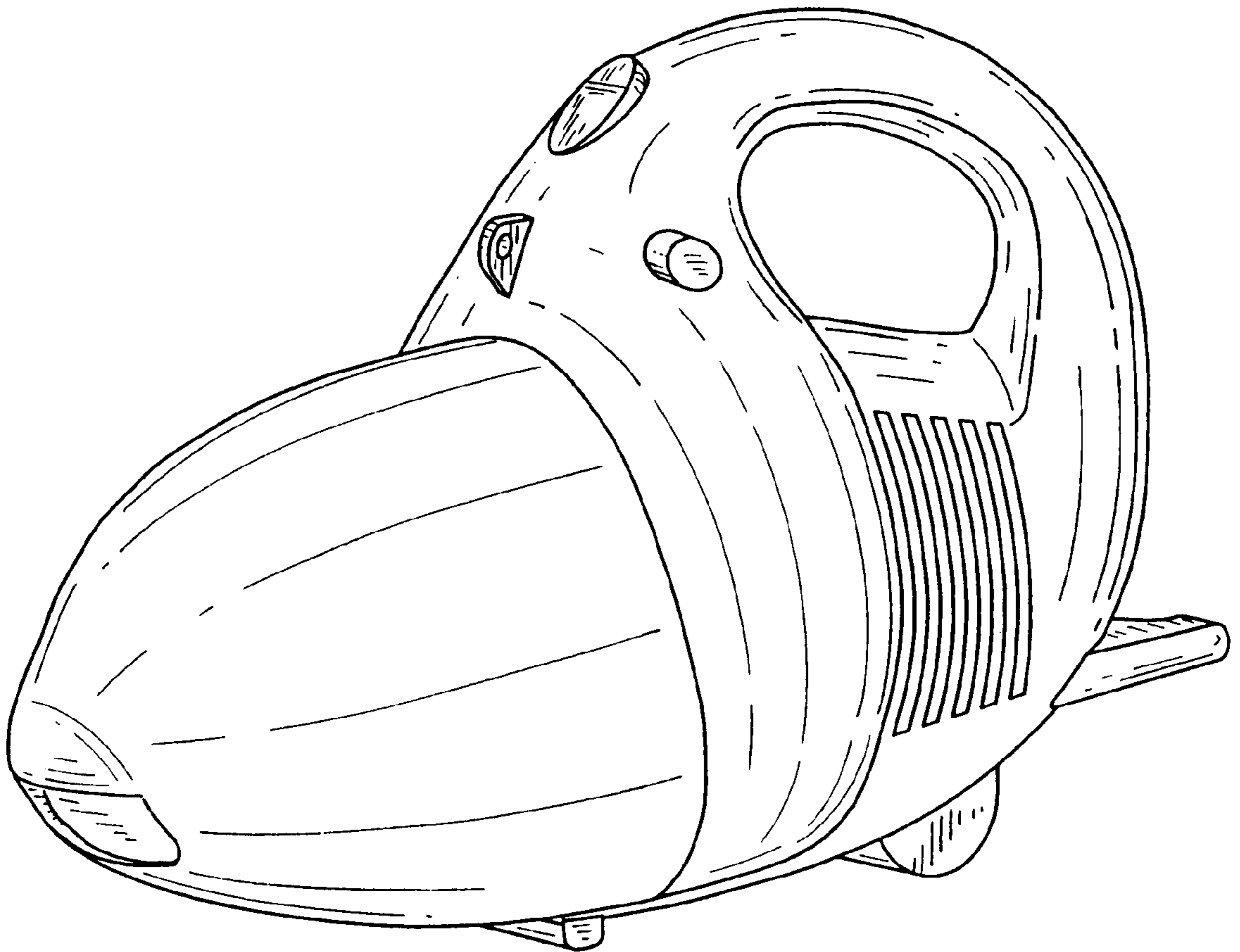


FIG. 7