



US00D471330S

(12) **United States Design Patent**  
**Campbell**

(10) **Patent No.:** **US D471,330 S**

(45) **Date of Patent:** **\*\* Mar. 4, 2003**

(54) **AUTOMATIC SWIMMING POOL CLEANER**

(75) **Inventor:** **Sanford F. Campbell**, Redding, CA (US)

(73) **Assignee:** **Letro Products, Inc.**, Redding, CA (US)

(\*\*) **Term:** **14 Years**

(21) **Appl. No.:** **29/163,017**

(22) **Filed:** **Jun. 25, 2002**

(51) **LOC (7) Cl.** ..... **15-05**

(52) **U.S. Cl.** ..... **D32/15**

(58) **Field of Search** ..... D32/1, 15, 25;  
15/1.7; 55/370, 374, 376-379, 381, 386,  
507; 180/7.1, 7.3, 66 R, 116, 119-120,  
125, 130, 1 R

(56) **References Cited**

**U.S. PATENT DOCUMENTS**

3,822,754 A	7/1974	Henkin et al.	
3,972,339 A	8/1976	Henkin et al.	
4,558,479 A	12/1985	Greskovics et al.	
5,001,800 A	3/1991	Parenti et al.	
D376,450 S	12/1996	Campbell et al.	
5,893,188 A	4/1999	Campbell et al.	
5,933,899 A	8/1999	Campbell et al.	
6,003,184 A *	12/1999	Campbell et al. ....	15/1.7
D421,512 S	3/2000	Campbell	
D443,737 S *	6/2001	Rief et al. ....	D32/15

**OTHER PUBLICATIONS**

Polaris 180 Brochure, published 1995 by Polaris Pool Systems, Inc., San Marcos, CA.

Polaris 380 Brochure, published Oct. 1996 by Polaris Pool Systems, Inc., San Marcos, CA.

“Polaris, It’s About Time”, published Oct. 1996 by Polaris Pool Systems, Inc., San Marcos, CA.

\* cited by examiner

*Primary Examiner*—Nelson C Holtje

(74) *Attorney, Agent, or Firm*—Vierra Magen Marcus Harmon & DeNiro LLP

(57) **CLAIM**

The ornamental design for an automatic swimming pool cleaner, as shown and described.

**DESCRIPTION**

FIG. 1 is a top, front perspective view of an automatic swimming pool cleaner embodying the new design;

FIG. 2 is a side view of an automatic swimming pool cleaner embodying the new design;

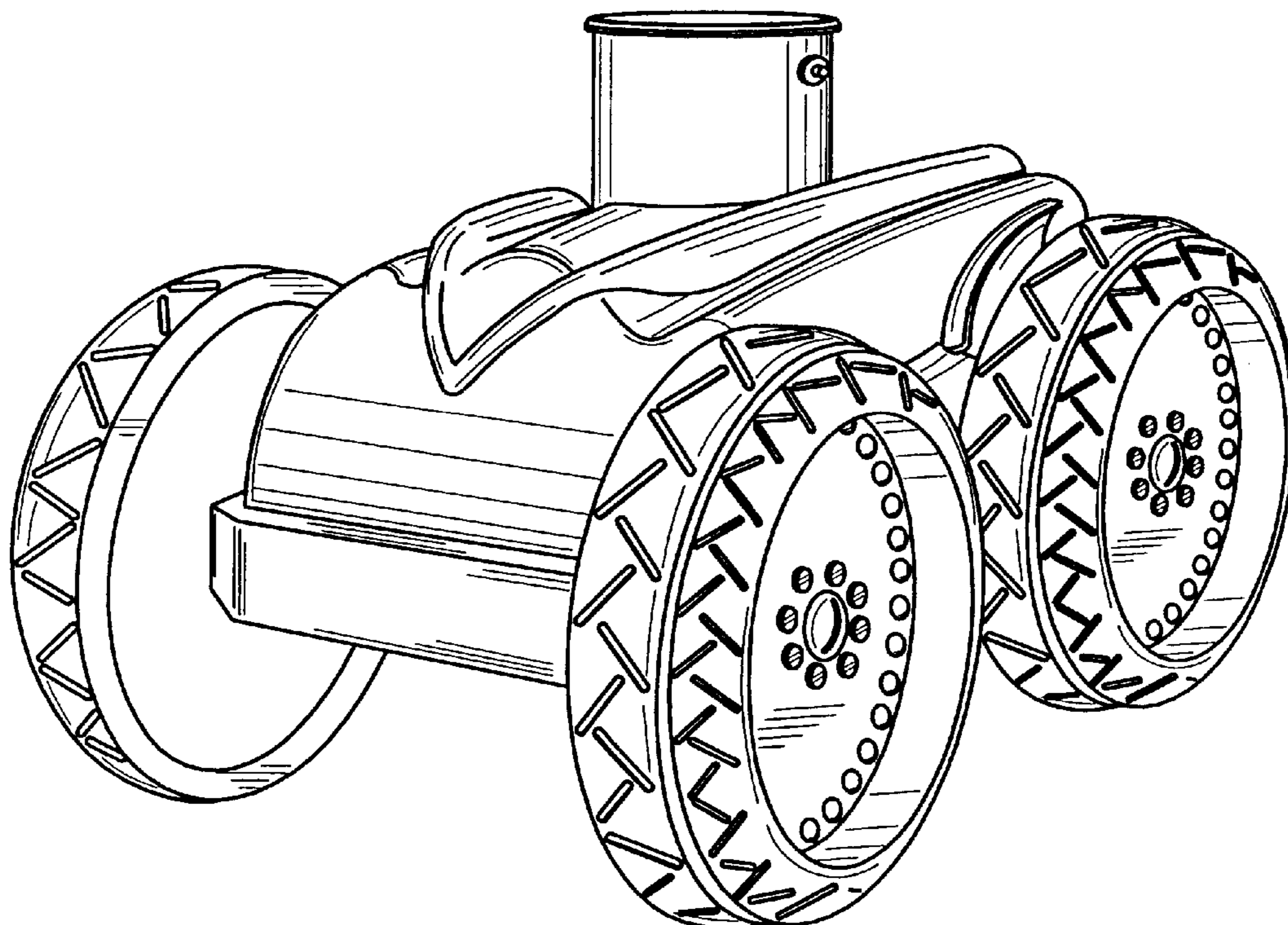
FIG. 3 is a top view of an automatic swimming pool cleaner embodying the new design;

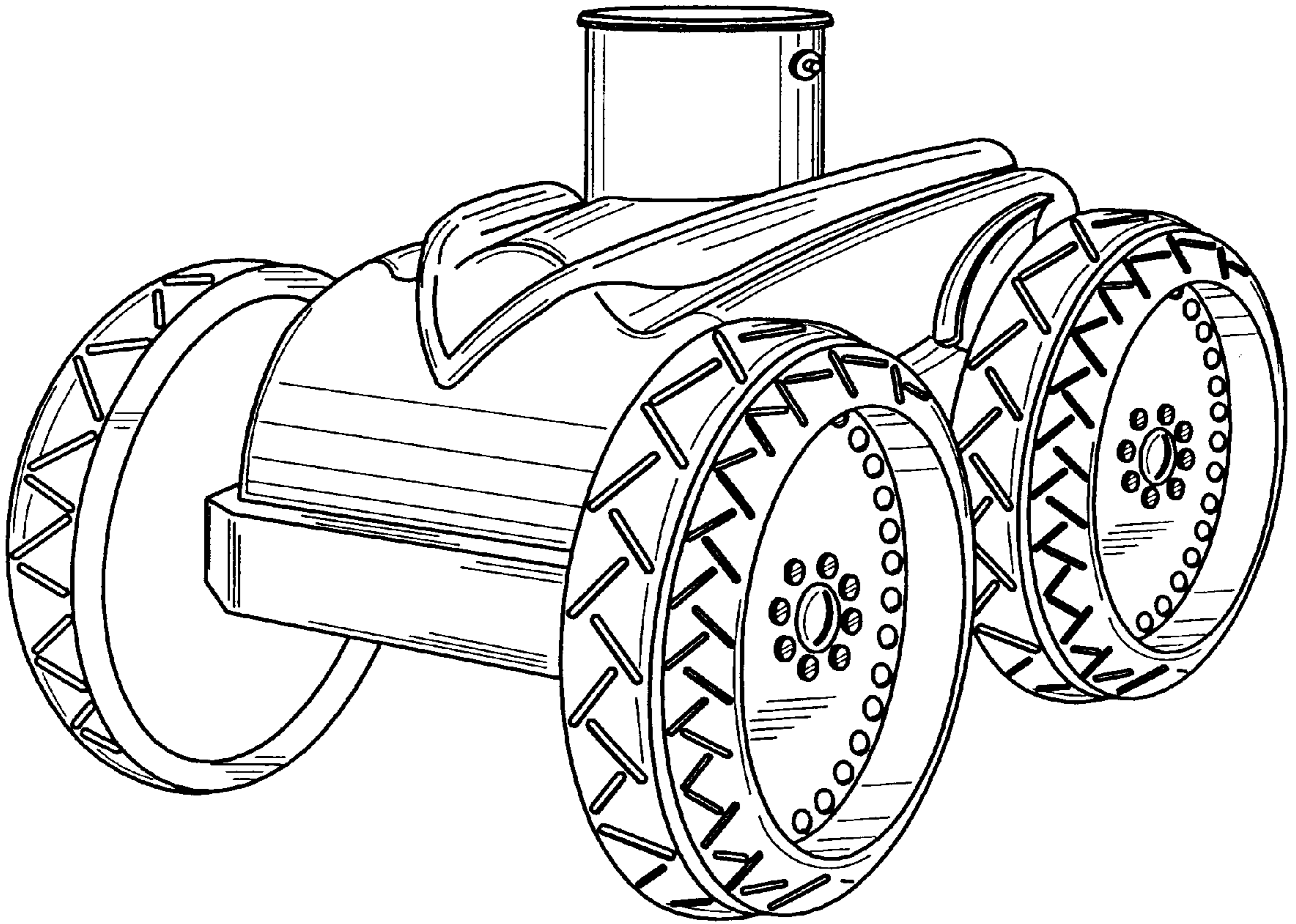
FIG. 4 is a front view of an automatic swimming pool cleaner embodying the new design; and,

FIG. 5 is a rear view of an automatic swimming pool cleaner embodying the new design.

The broken line showing in FIG. 4 is for illustrative purposes only and forms no part of the claimed design.

**1 Claim, 3 Drawing Sheets**





*FIG. 1*

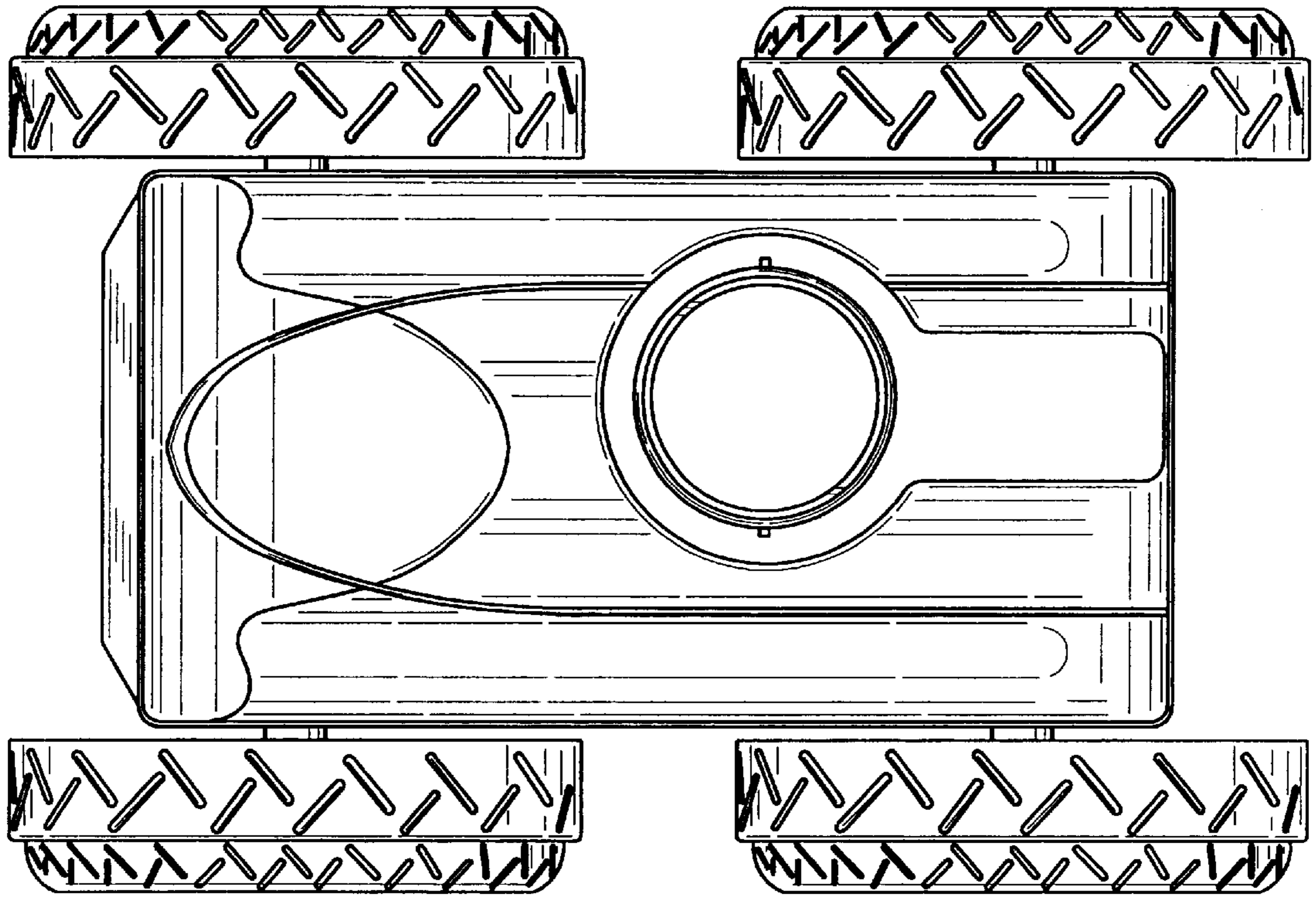


FIG. 3

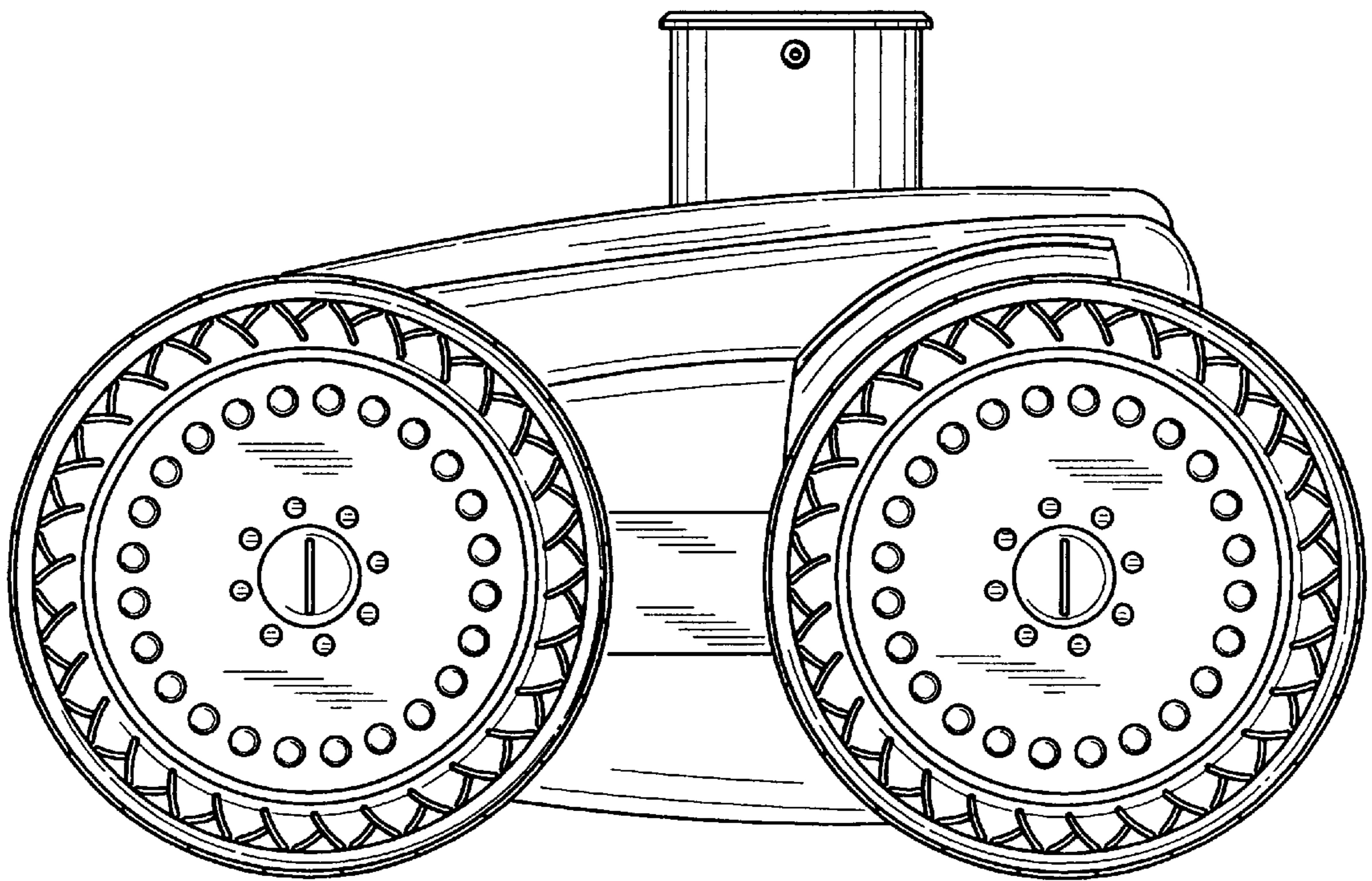


FIG. 2

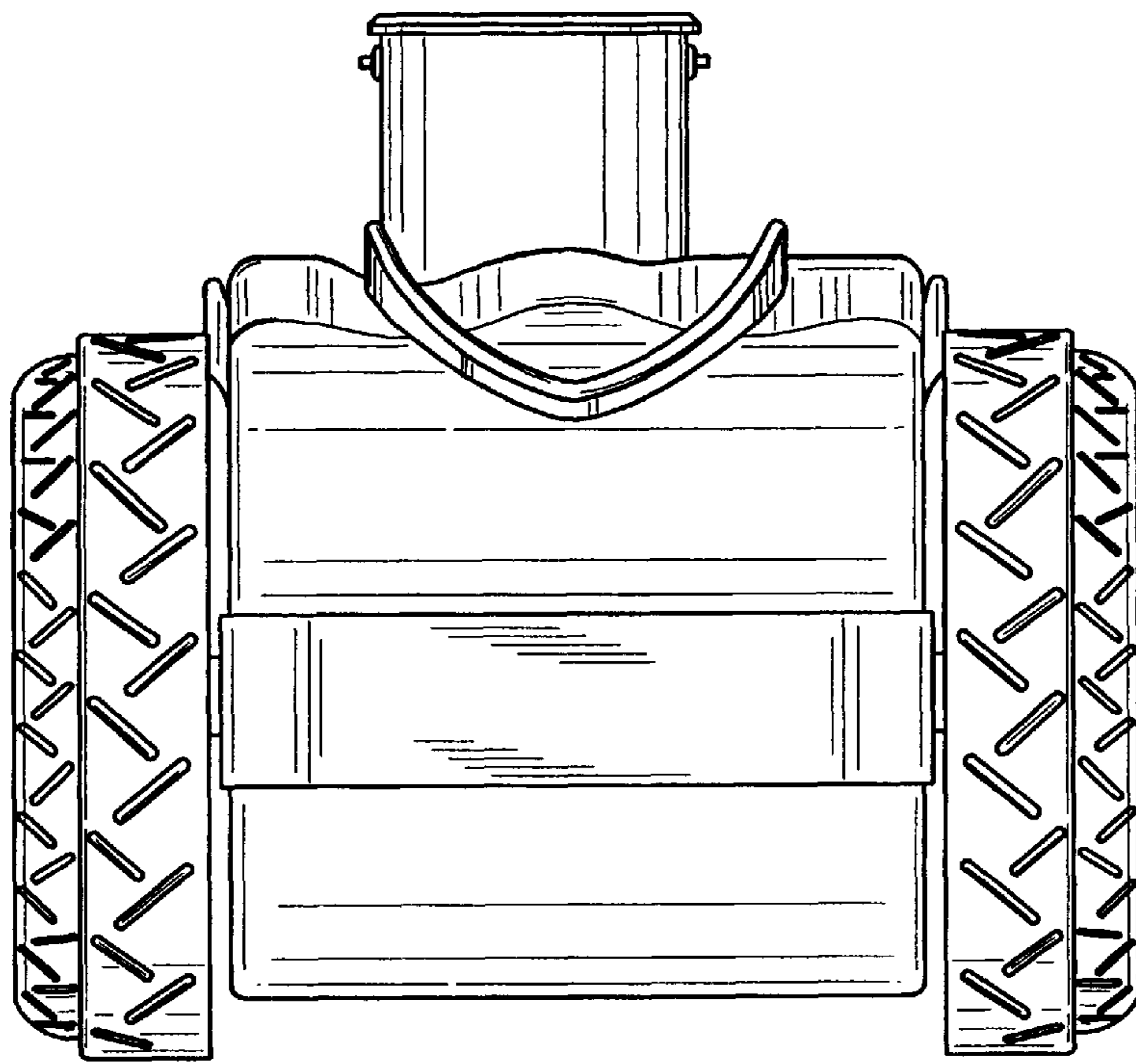


FIG. 4

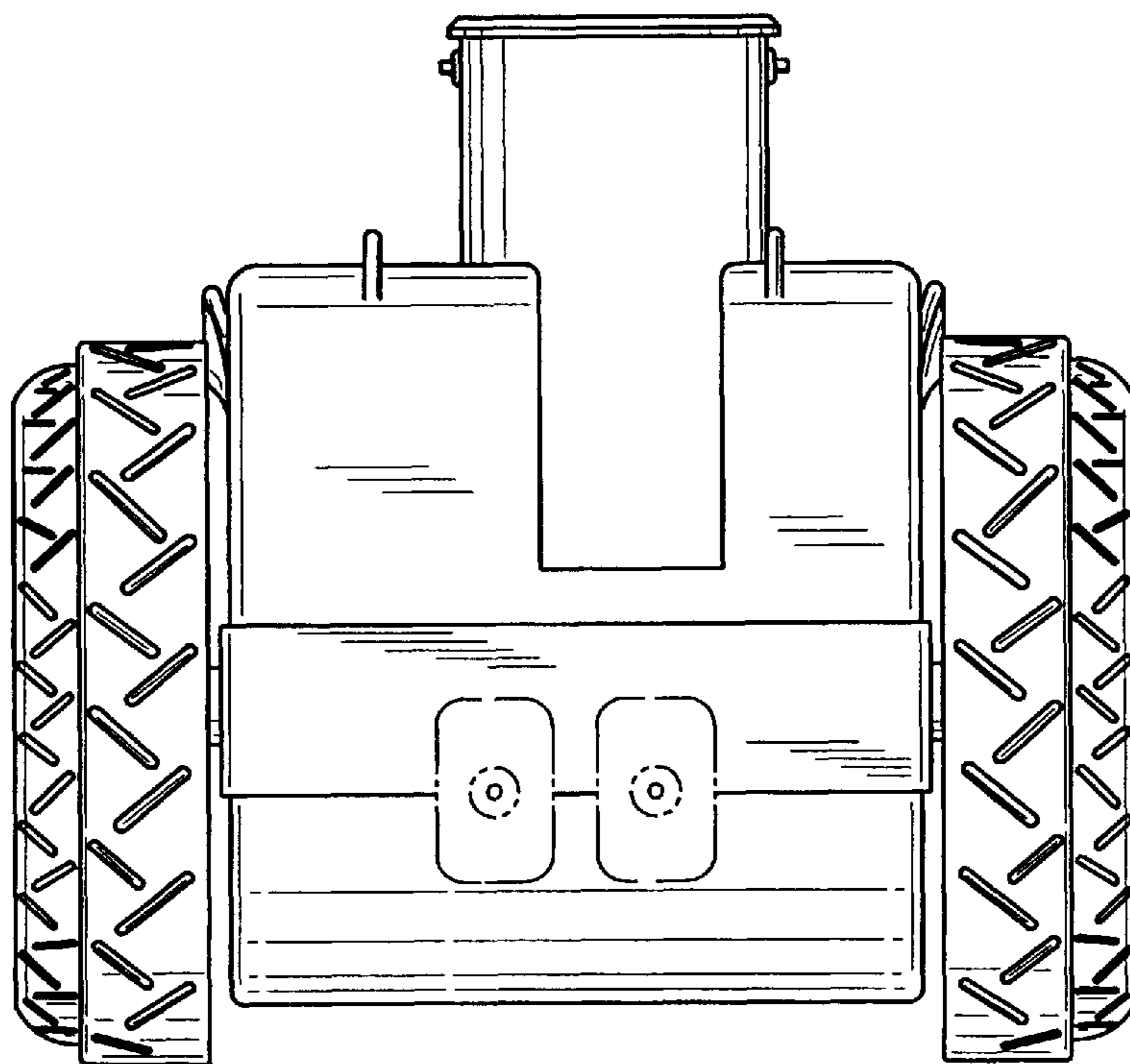


FIG. 5